

Michael F. Hays
REV 1/10/17

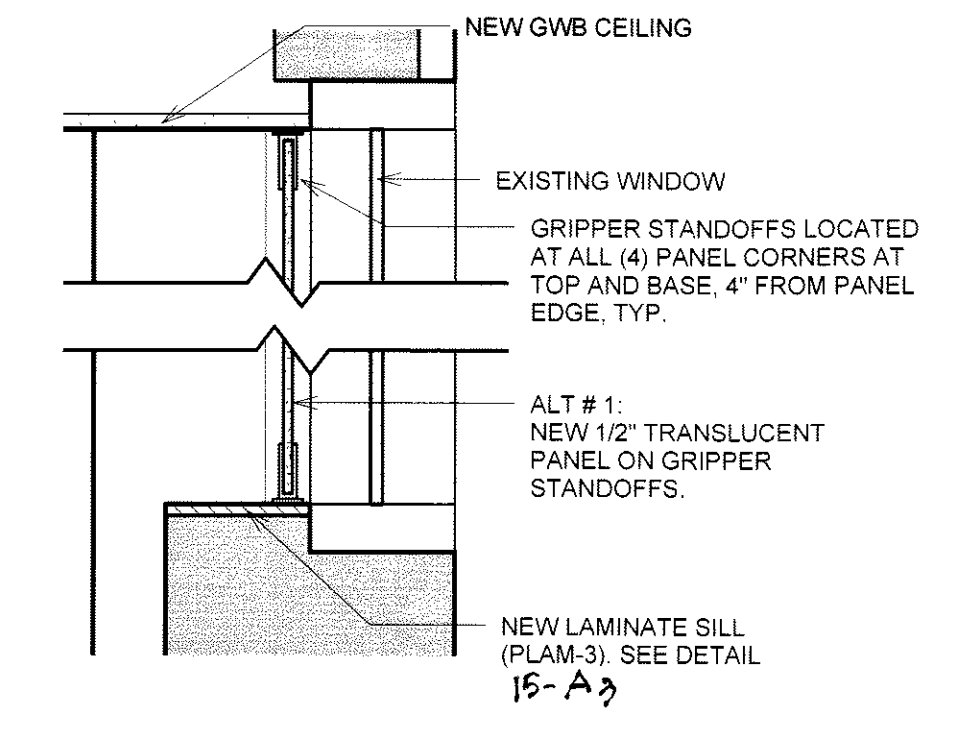
DRAWING NAME

3RD FLOOR TOILET
UPGRADES & MEMIC
19 CROSS ST. / 201 COMMERCIAL ST.
PORTLAND, MAINE 04101

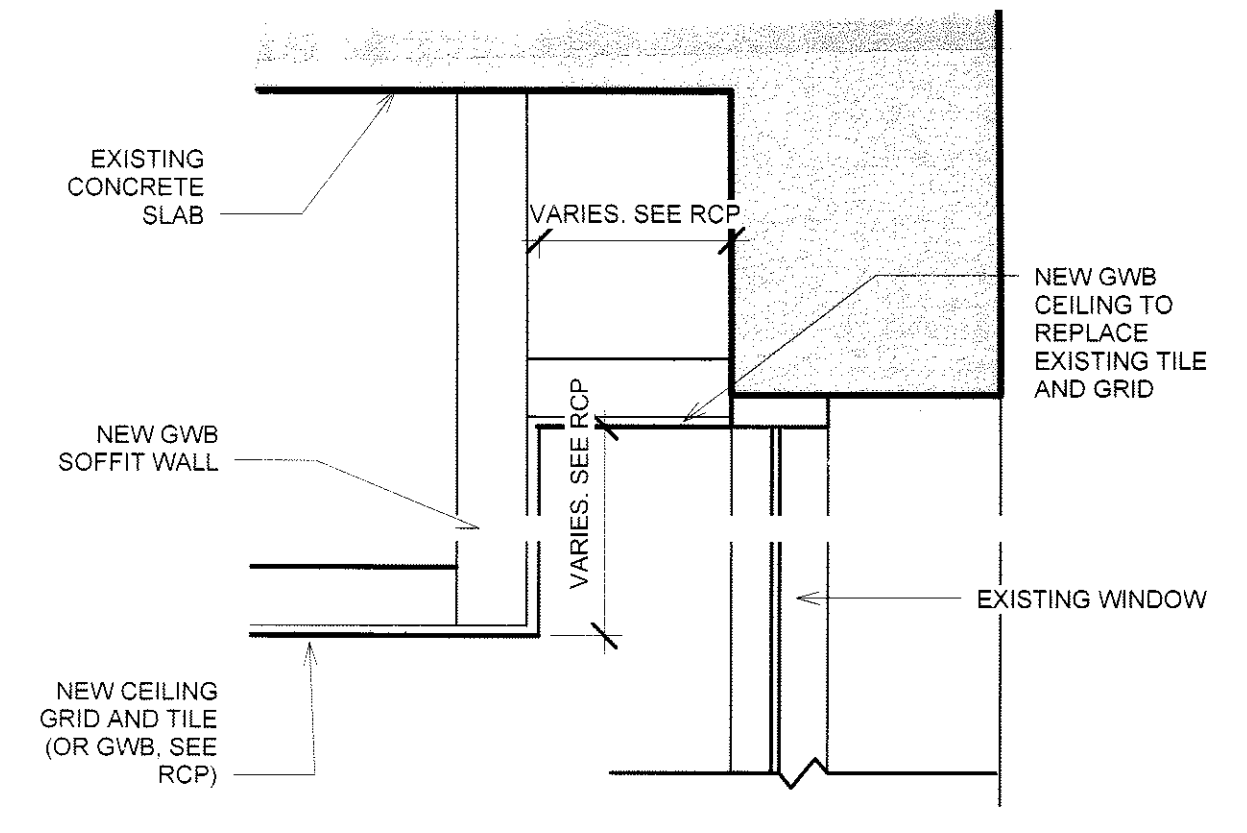
SHEET

DETAILS
(COURTESY OF MEMIC)

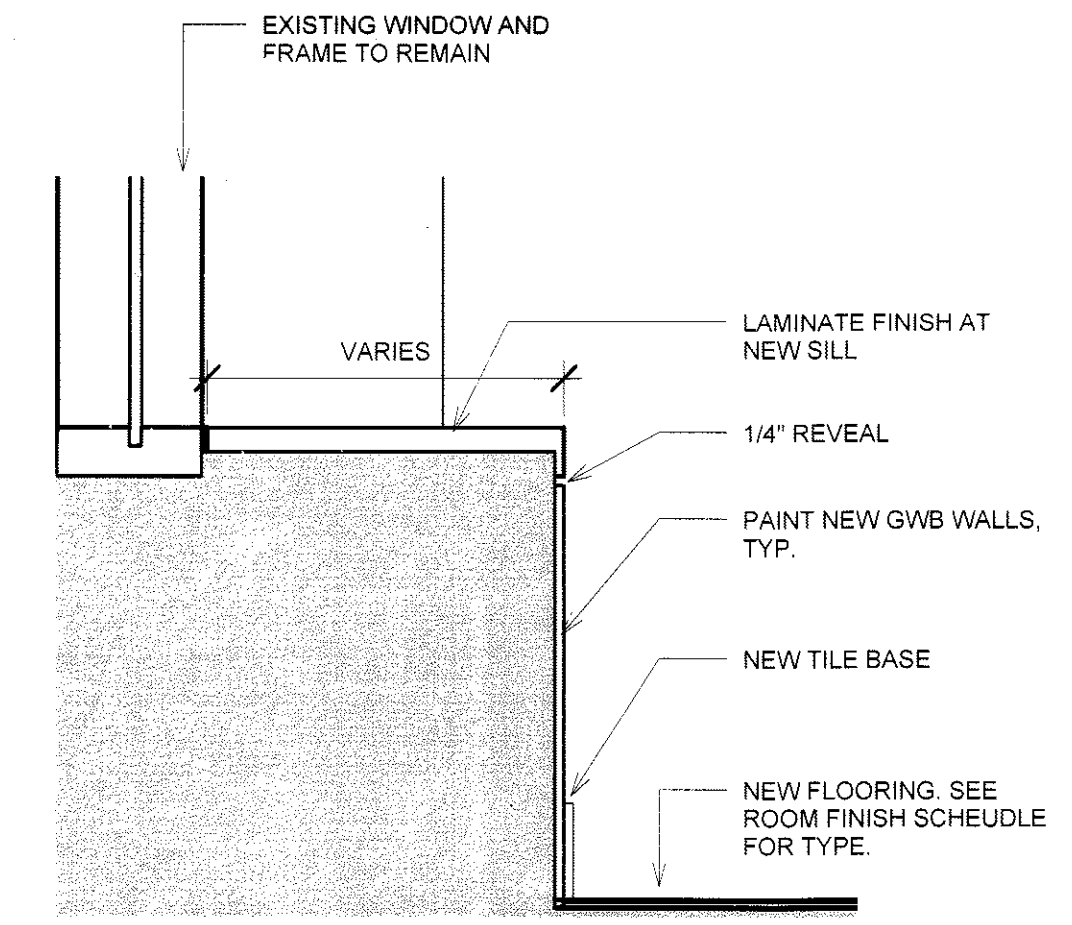
DATE: 9 JUNE 2014
SCALE: AS NOTED
DRAWN: MFH
JOB NO: 140619
SHEET: A 3



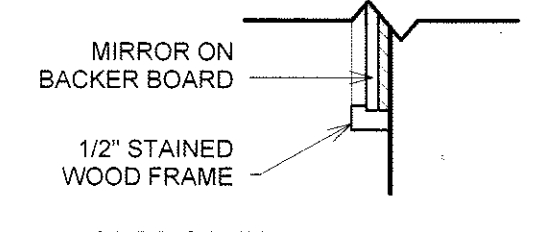
9 SECTION DETAIL AT WINDOW PANELING (ALT # 1)
1 1/2" = 1'-0"



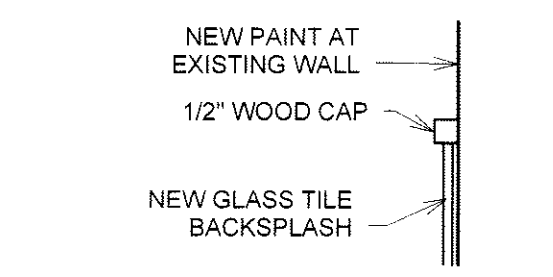
3 CEILING AT WINDOW HEAD DETAIL
1" = 1'-0"



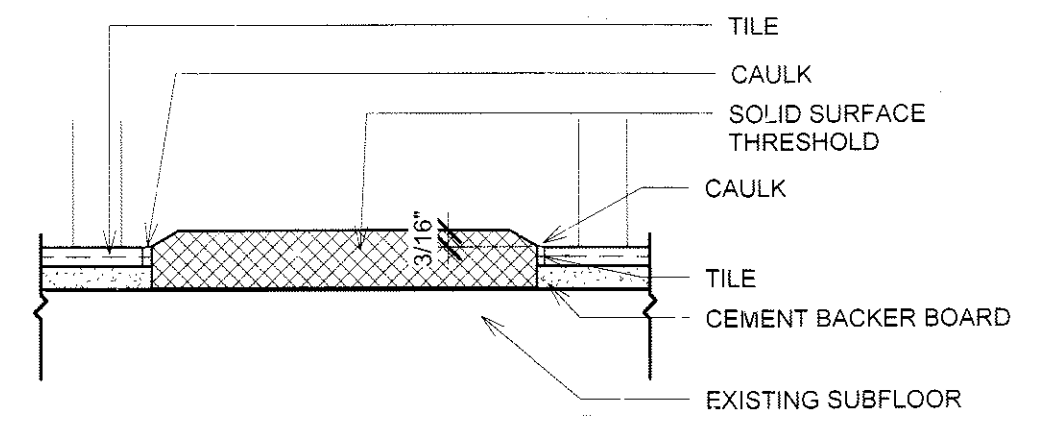
15 TYPICAL WINDOW SILL DETAIL @ BATHROOMS
1 1/2" = 1'-0"



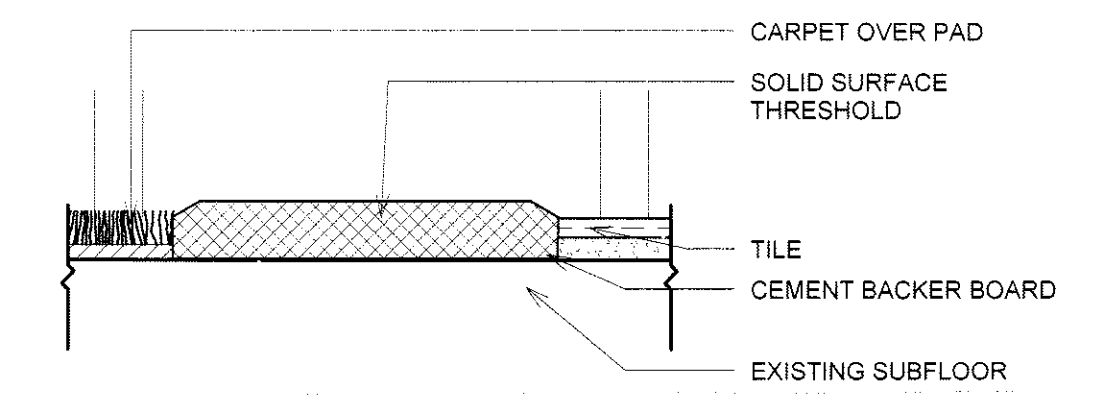
13 MIRROR FRAME DETAIL
3" = 1'-0"



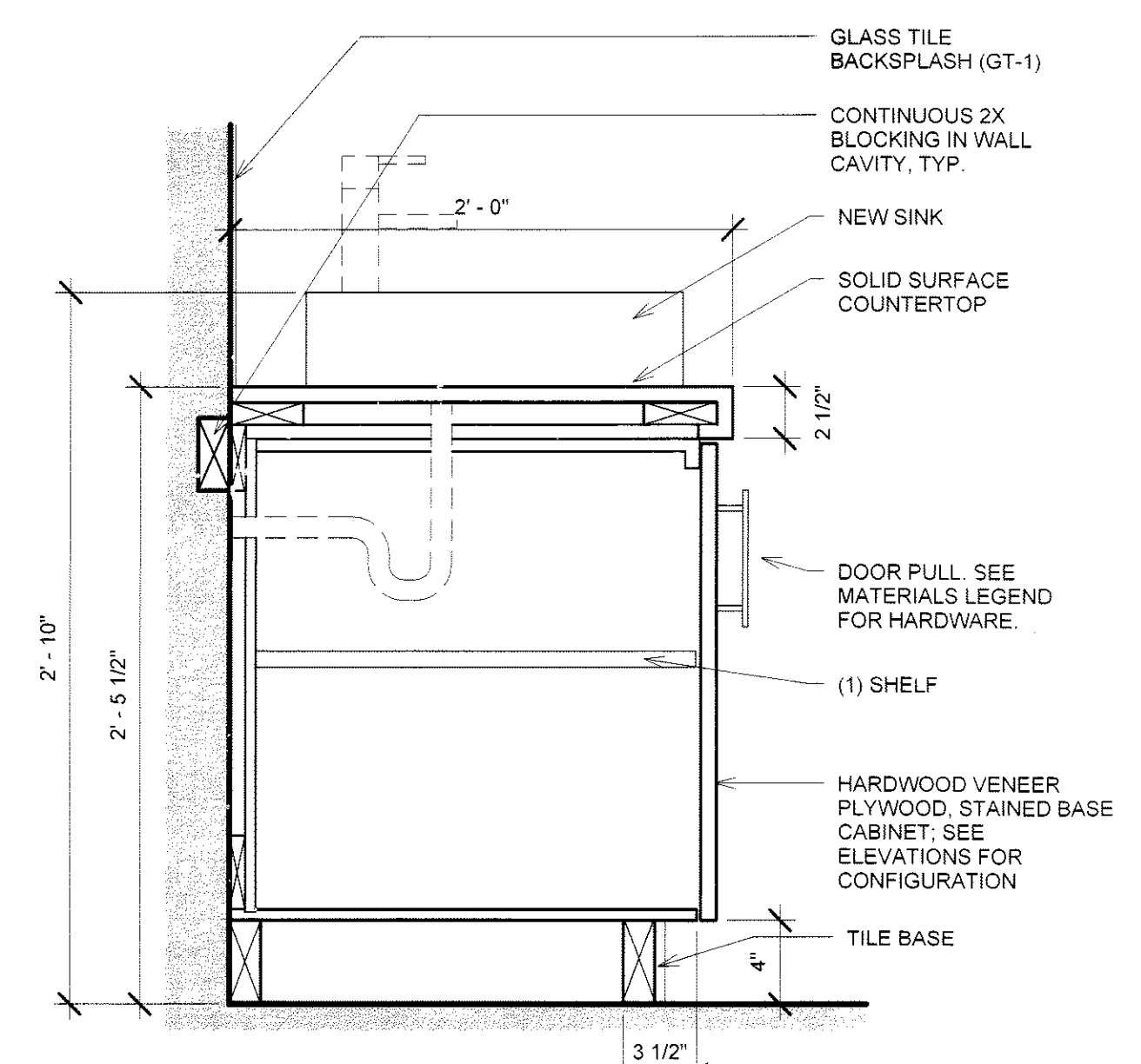
14 WOOD TRIM AT BATHROOM TILE
3" = 1'-0"



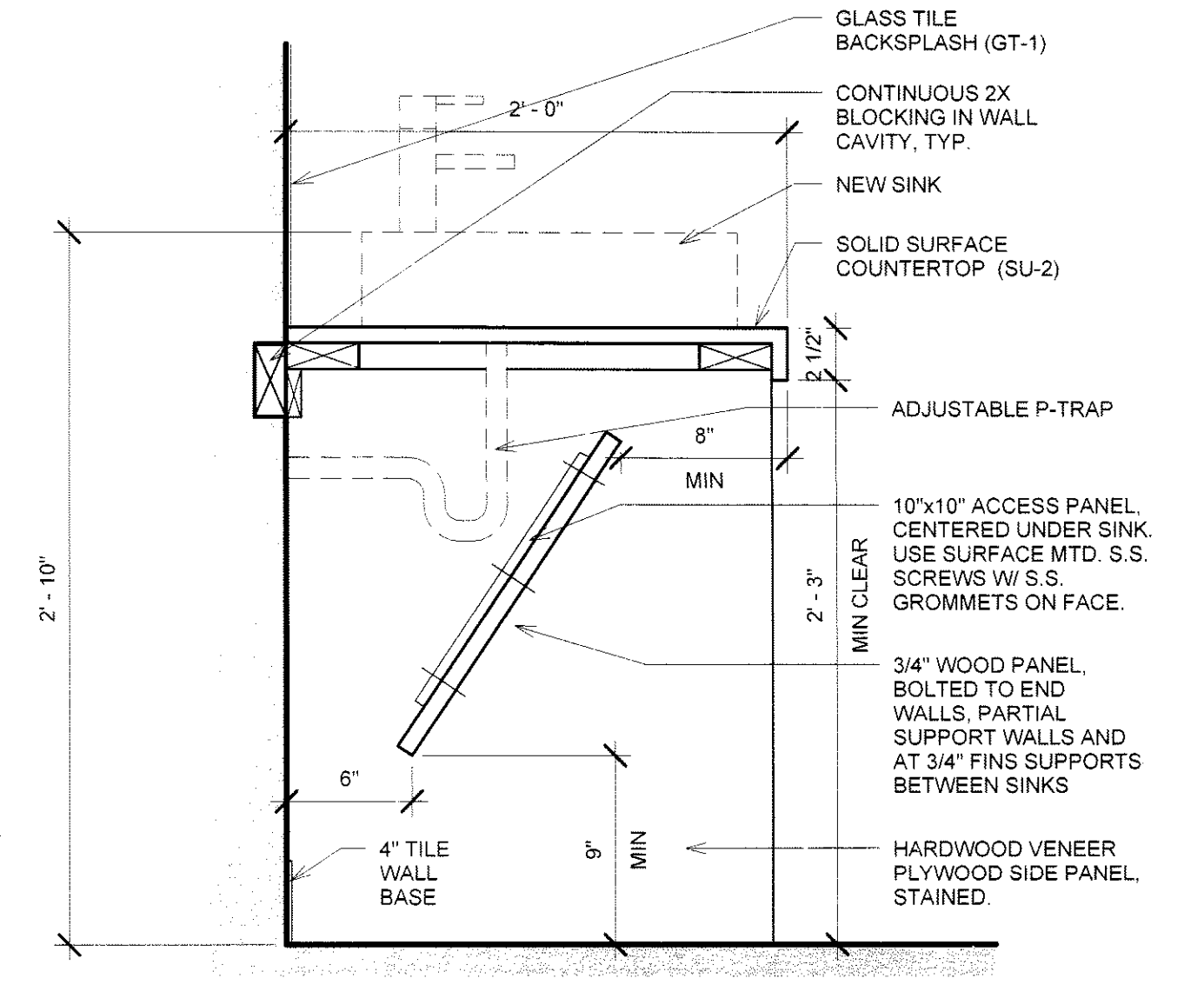
FLOOR TRANSITION - GT TO GT



FLOOR TRANSITION - CPT TO GT



6 BATHROOM BASE CABINET
1 1/2" = 1'-0"



7 BATHROOM @ ADA SINK
1 1/2" = 1'-0"