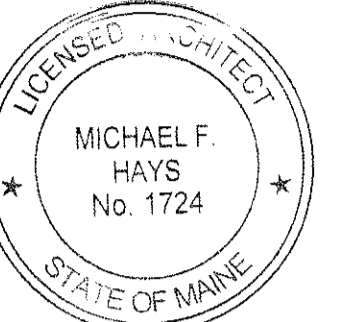


SCALE



Michael F. Hays
REVISION/

PROJECT NAME

4TH FLOOR TOILET
UPGRADES & MISC
19 CROSS ST./ 261 COMMERCIAL ST.
PORTLAND, MAINE 04101

SHEET

ACCESSIBILITY
DETAILS
& NOTES

DATE
29 JAN 2014

SCALE
NO SCALE

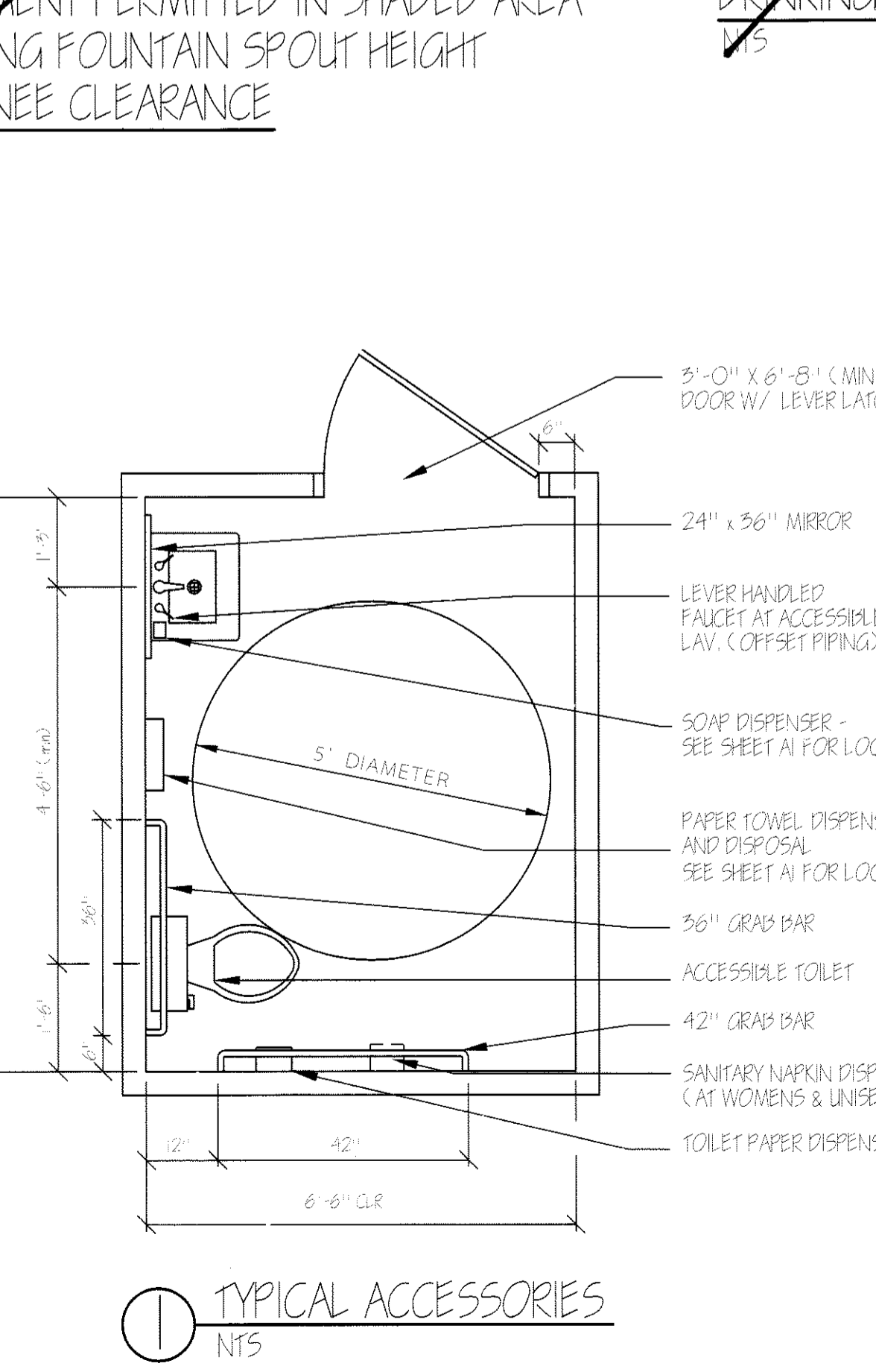
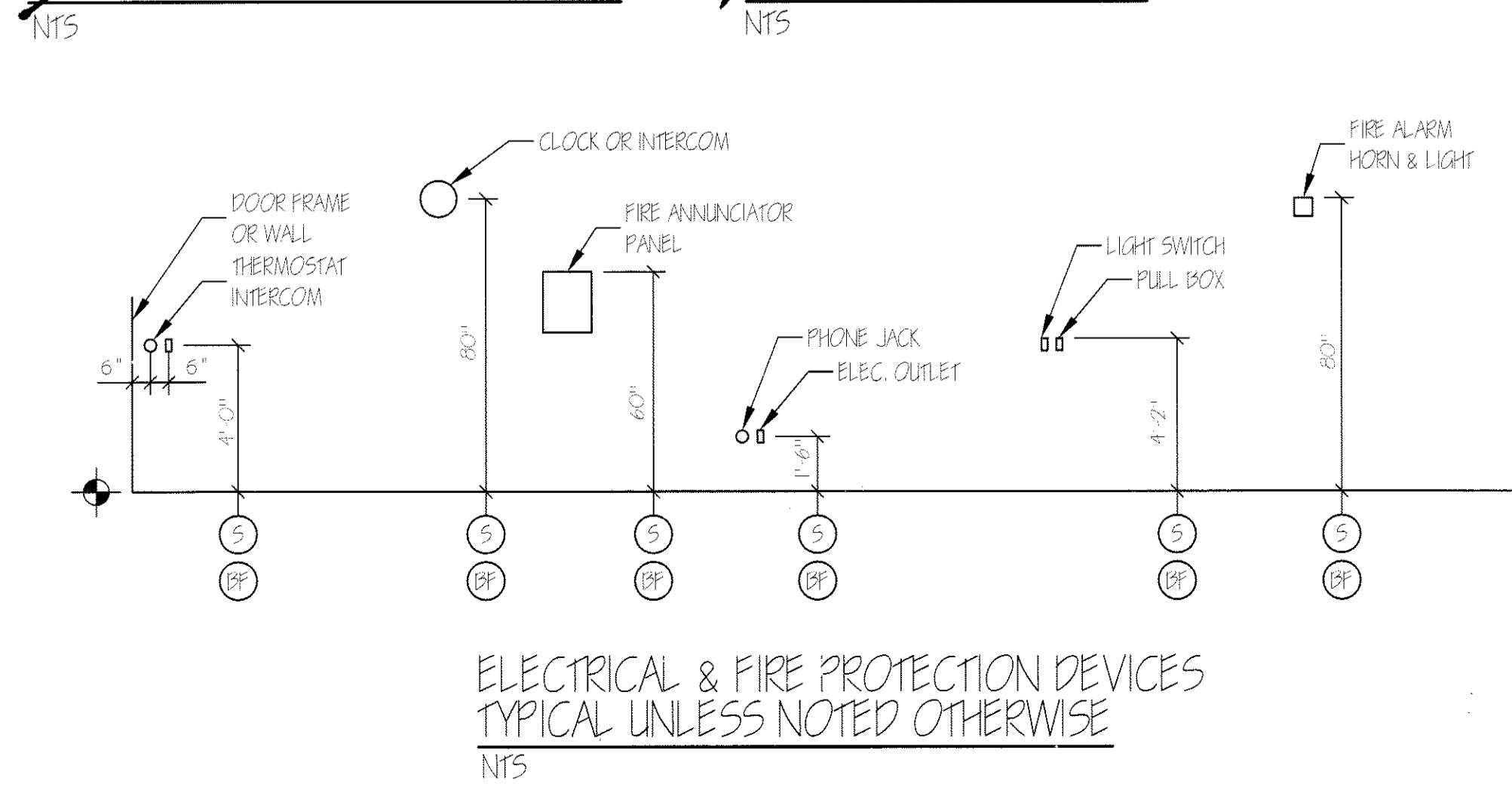
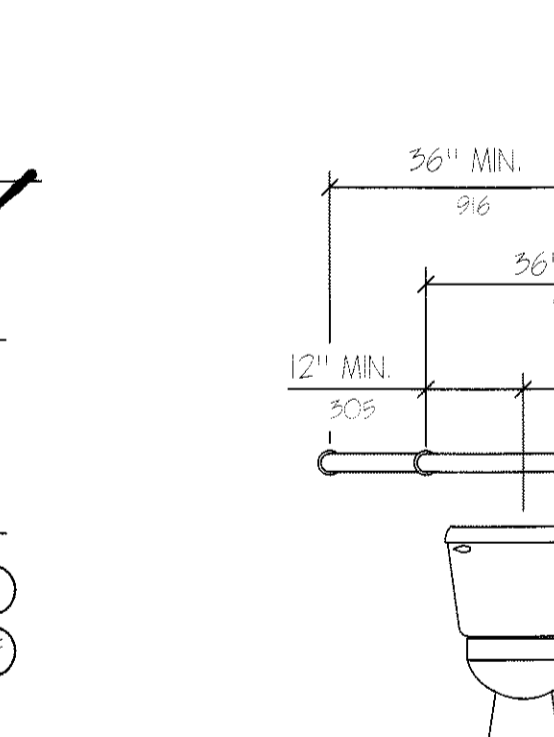
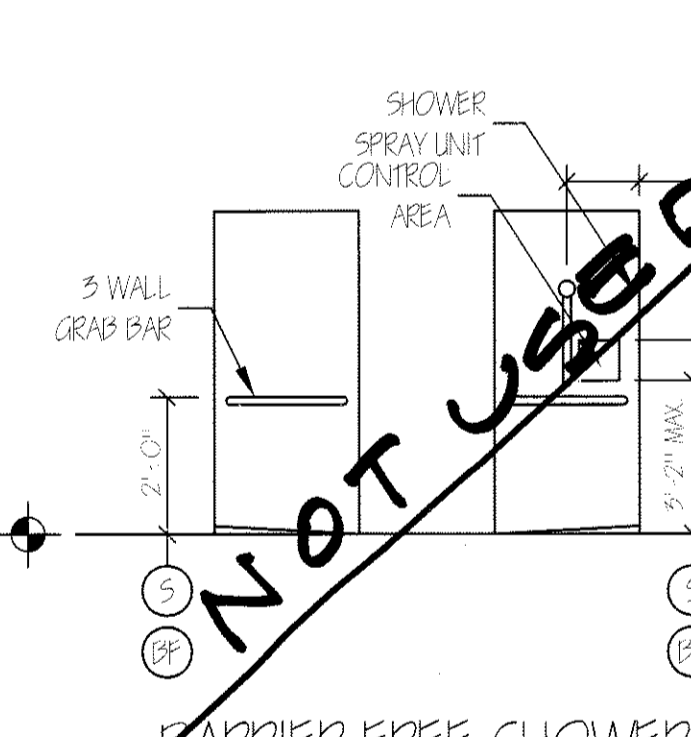
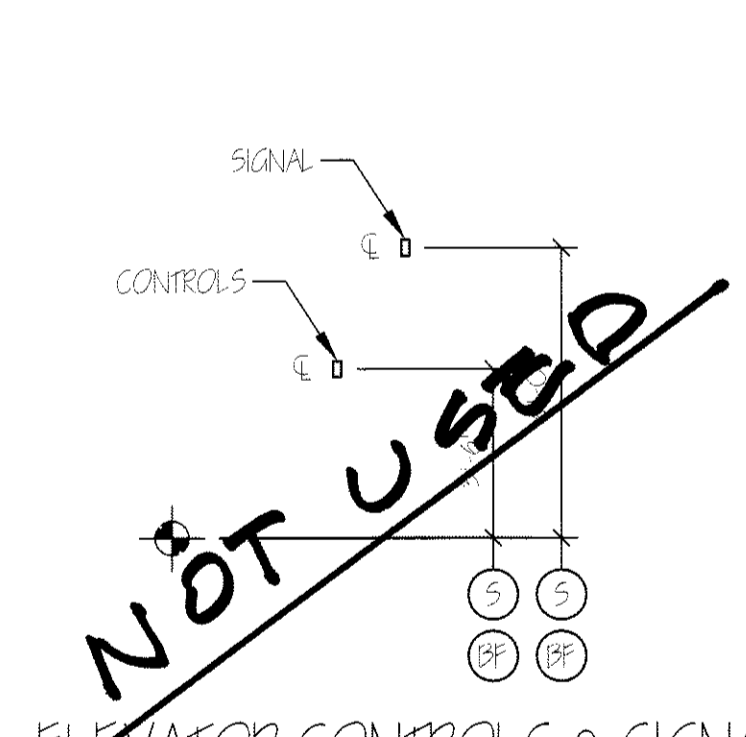
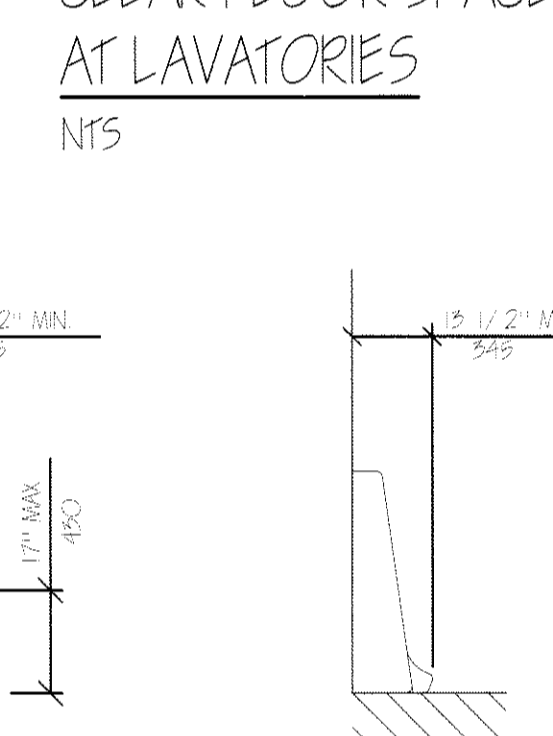
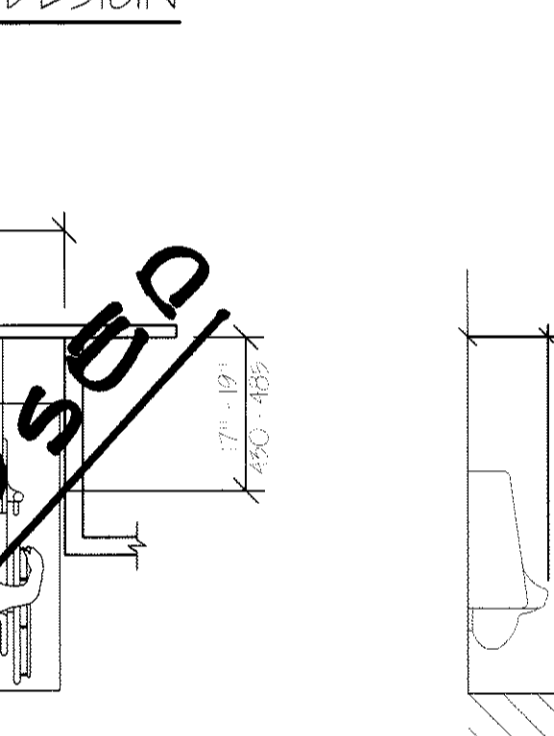
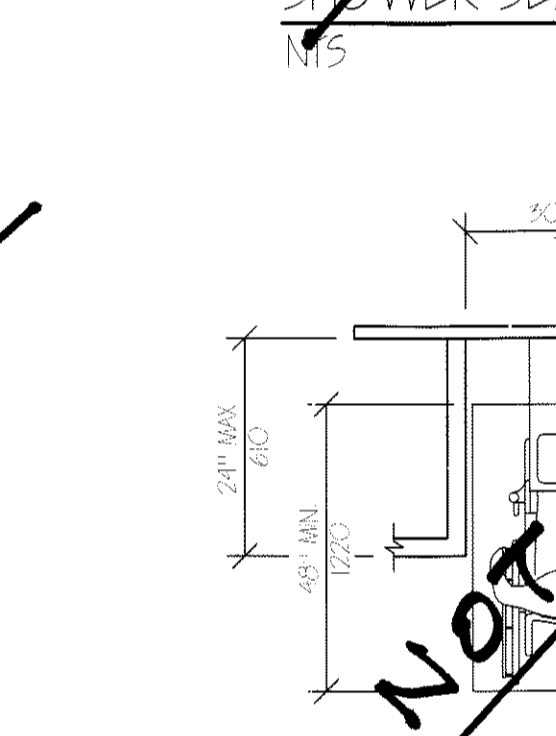
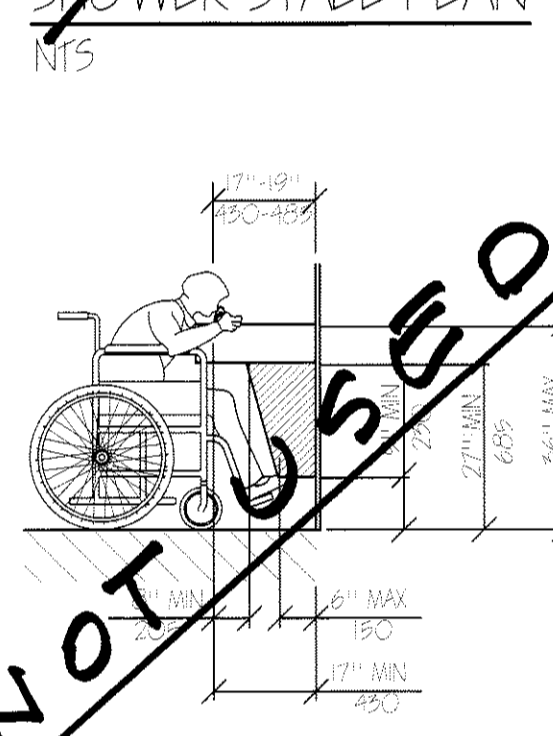
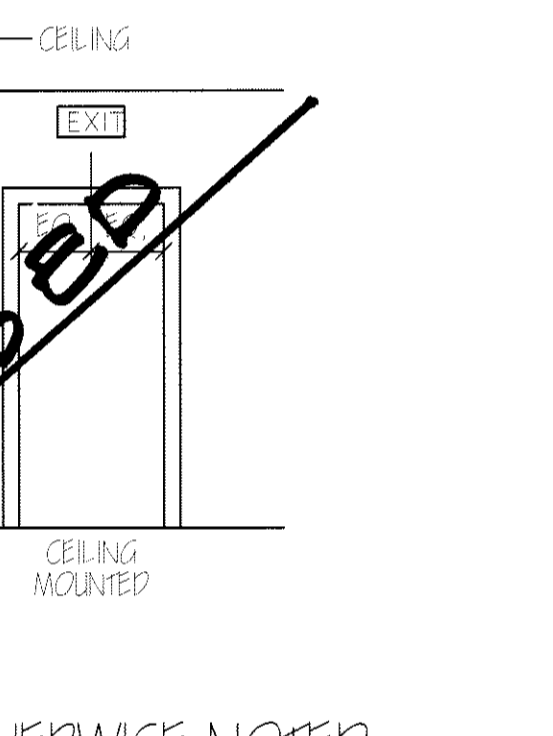
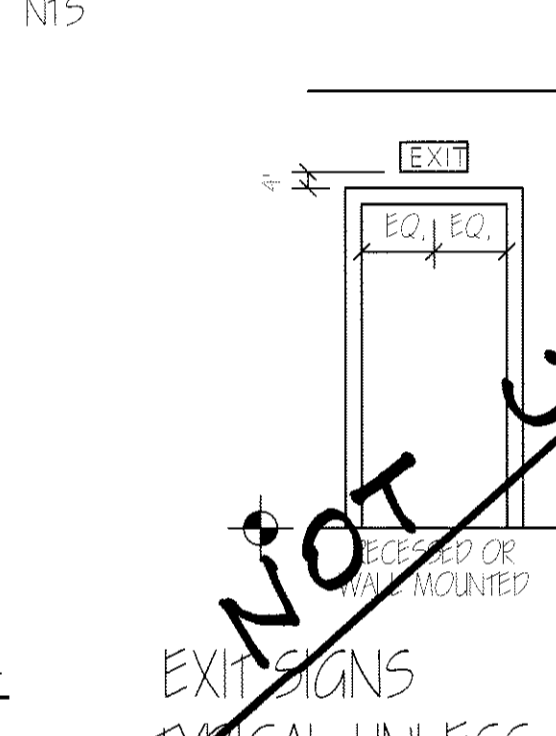
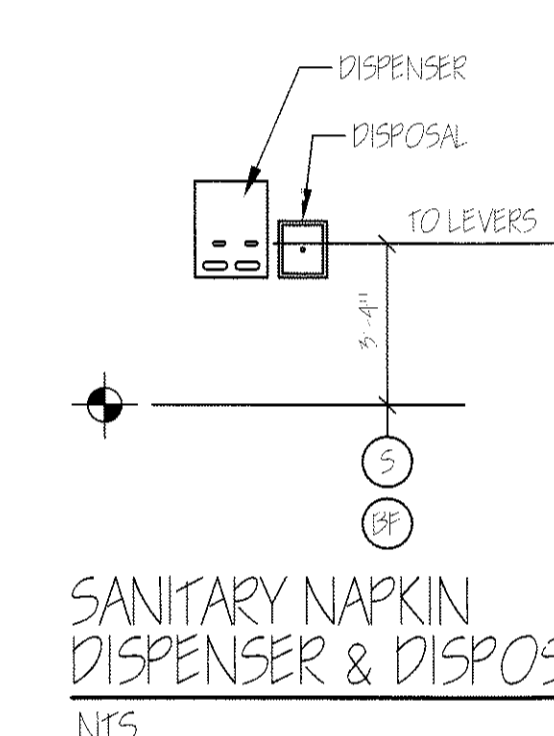
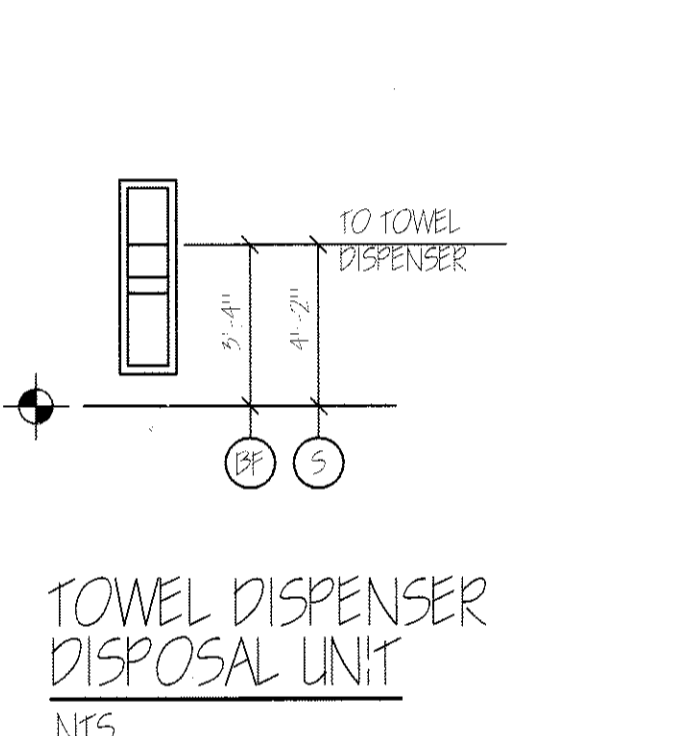
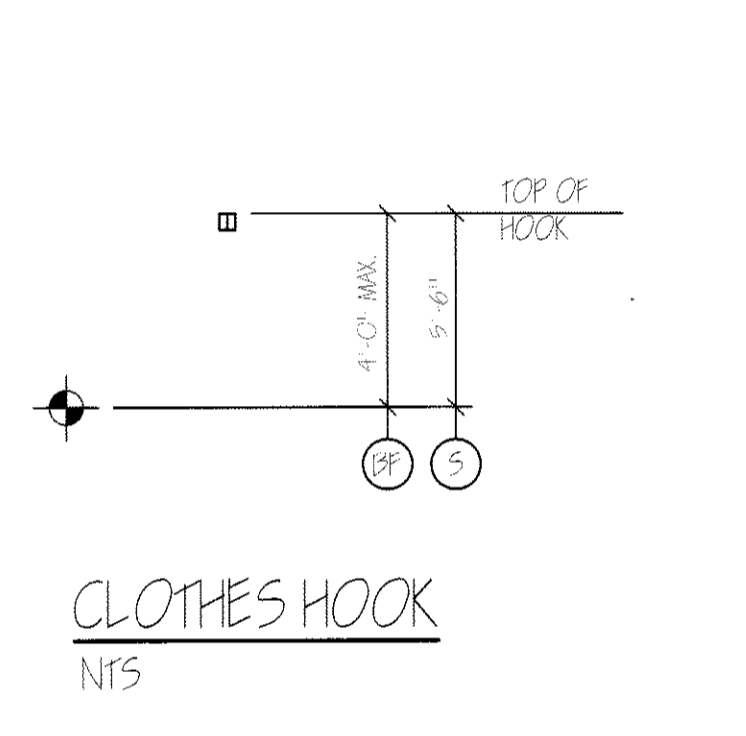
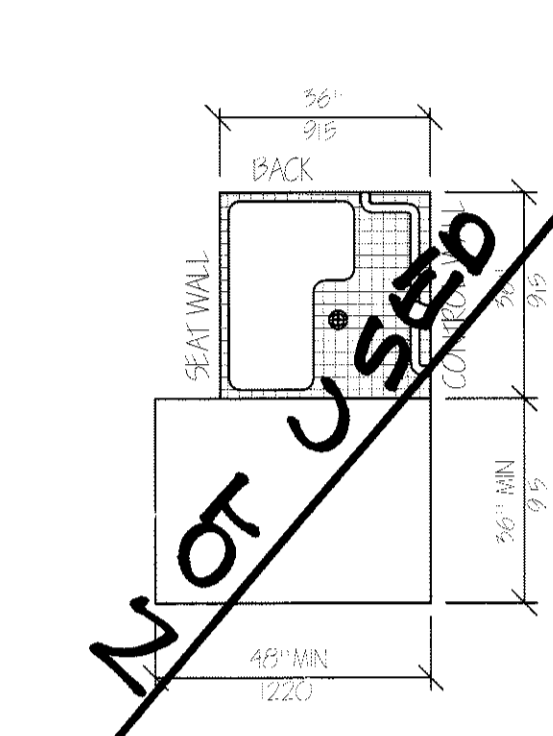
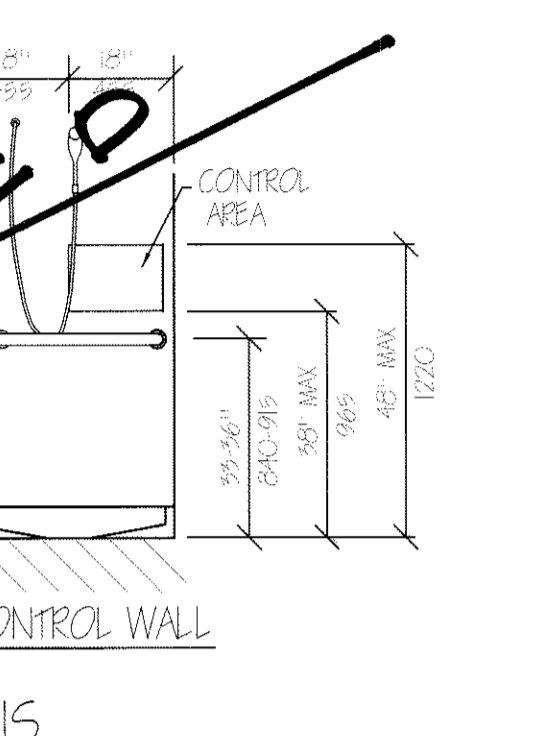
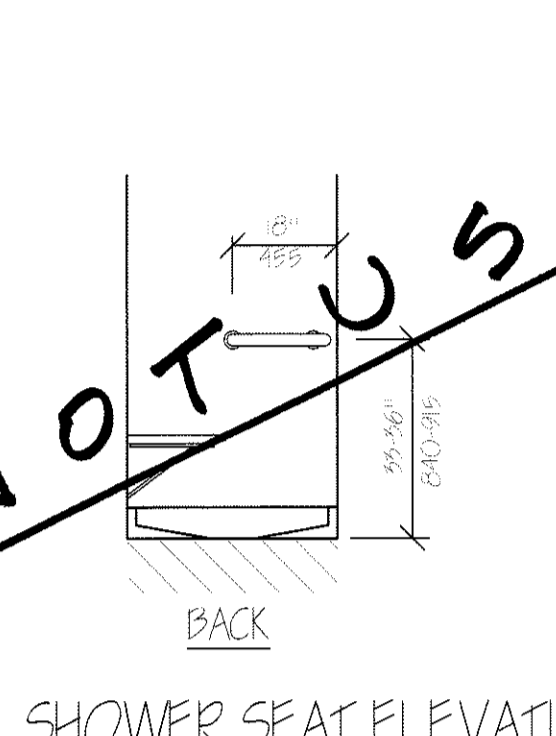
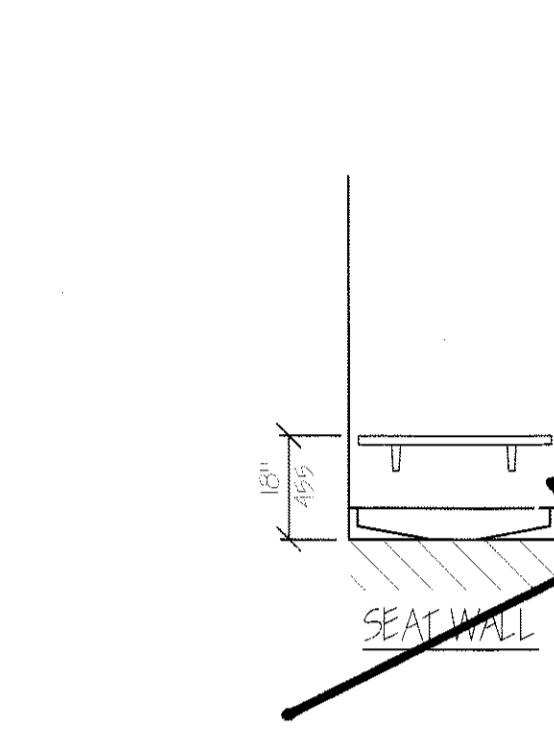
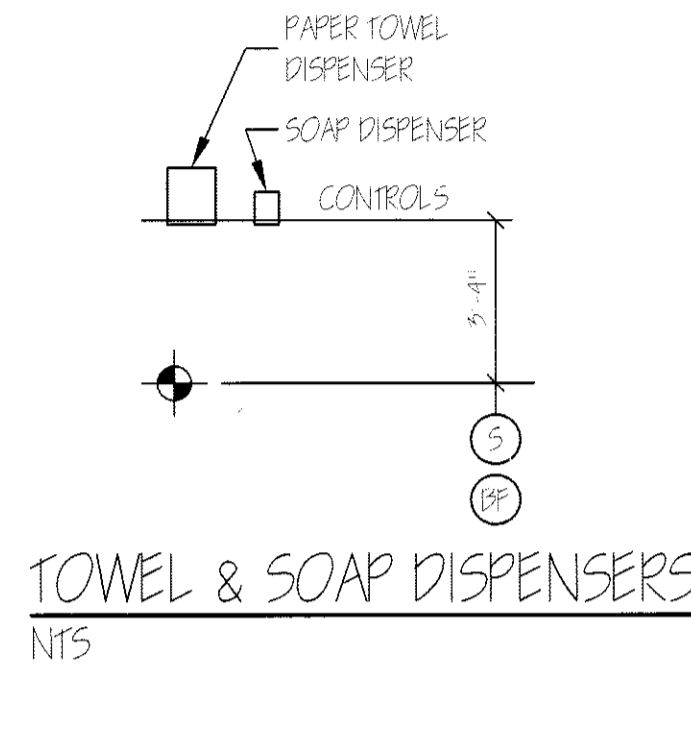
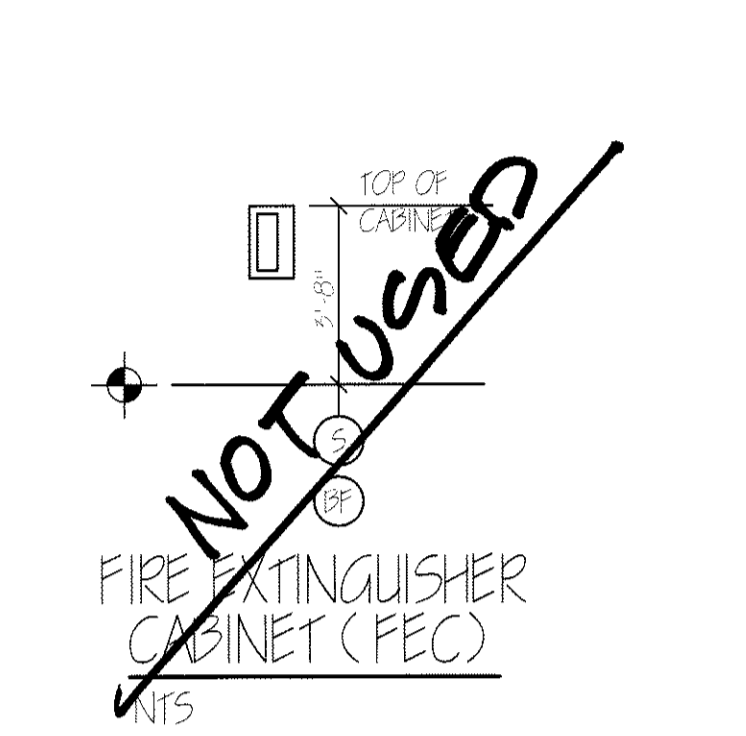
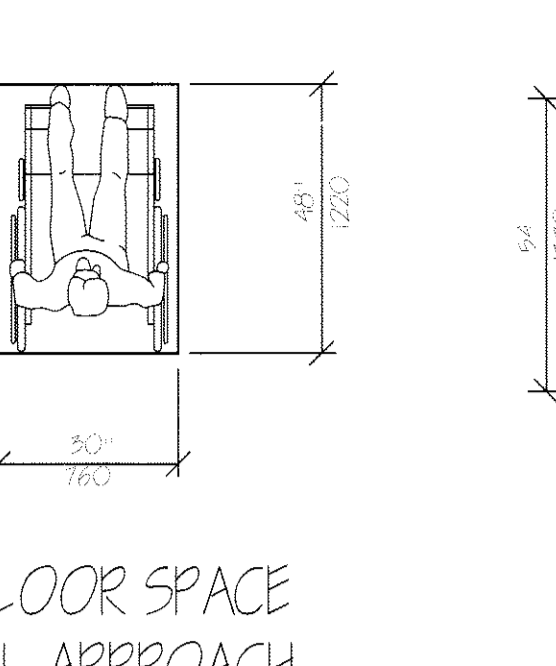
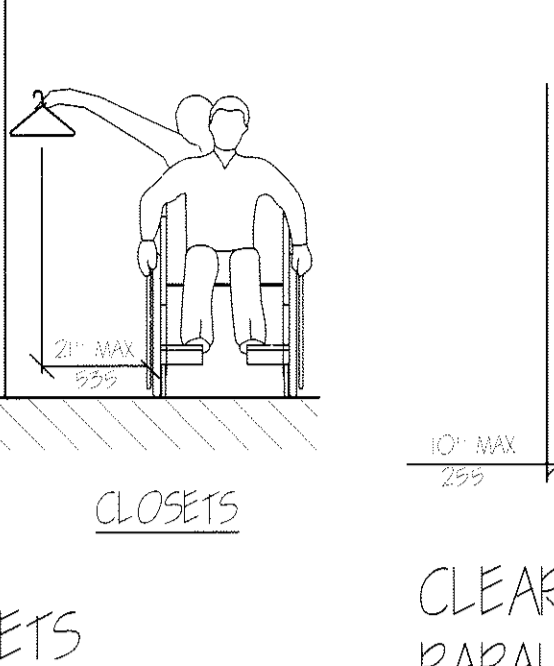
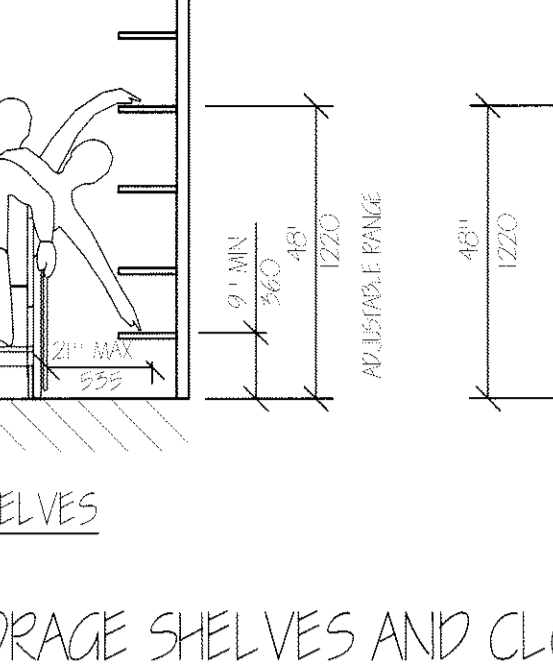
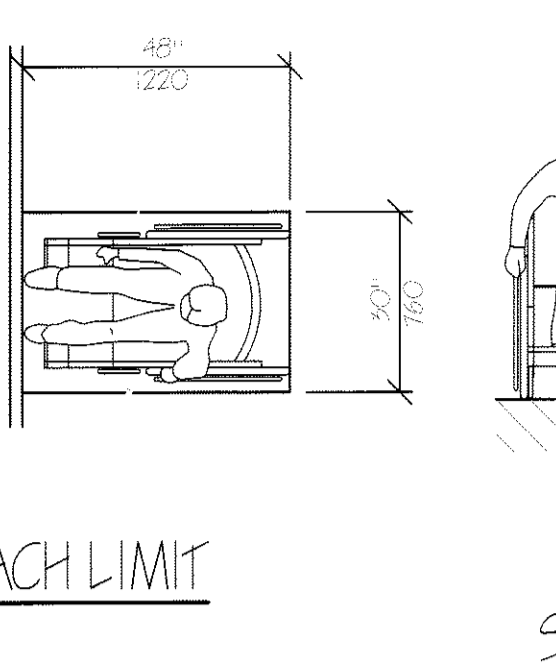
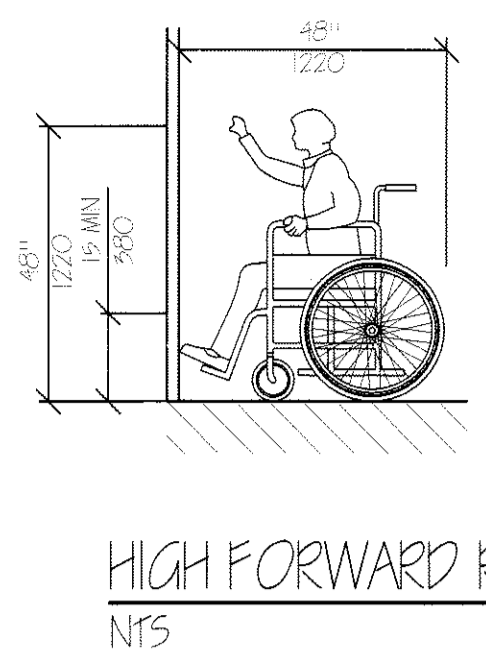
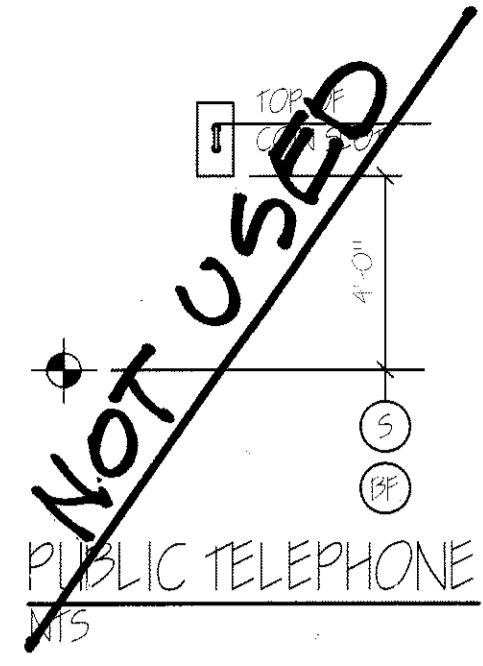
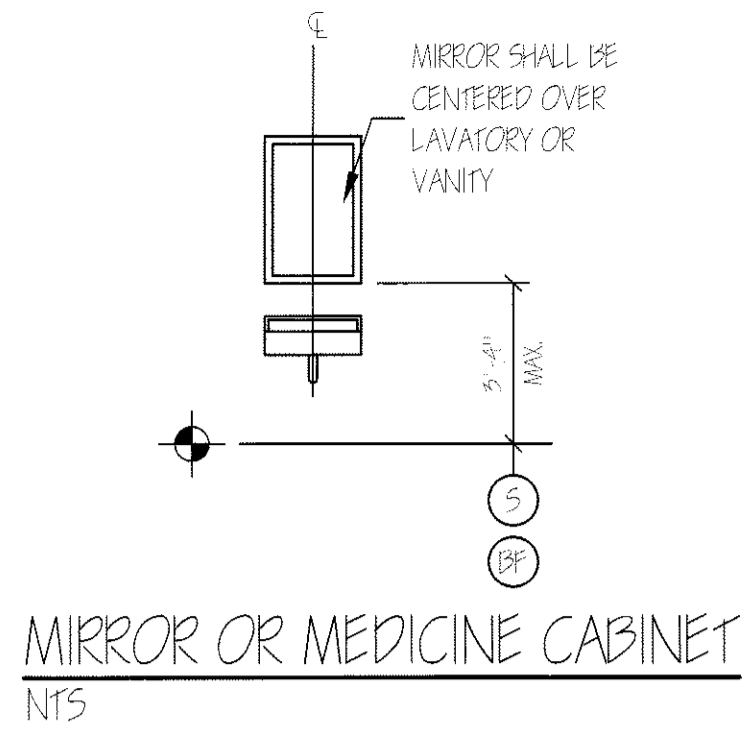
DRAWN
MFT

JOB NO.
140104

SHEET

A-4

COPYRIGHT
REPRODUCTION OR REV. OF THIS
DOCUMENT WITHOUT WRITTEN
PERMISSION FROM GRANT HAYS/
ASSOCIATES IS PROHIBITED.



1. DOORWAYS SHALL HAVE A MINIMUM CLEAR WIDTH OF 32" WITH THE DOOR OPEN 90 DEGREES. MEASURED BETWEEN THE FACE OF THE DOOR AND THE OPPOSITE STOP.
2. ALL DOORS SHALL HAVE LEVER HANDLE HARDWARE, EXCEPT AT SECURED STORAGE ROOMS, MECHANICAL ROOMS, AND ELEVATOR MACHINE ROOMS.
3. ALL CLOSERS SHALL BE SLIP PULL. MAXIMUM AT DOORS EQUIPPED WITH LEVER HANDLE HARDWARE.
4. ALL DOORS WITH CLOSERS SHALL HAVE 18" CLEAR DISTANCE FROM THE LATCHSIDE OF THE OPENING TO ANY ADJACENT WALL OR OBSTRUCTION ON THE PULL SIDE OF THE OPENING.
5. ALL DOORS WITH CLOSERS SHALL HAVE 12" CLEAR DISTANCE FROM THE LATCHSIDE OF THE OPENING TO ANY ADJACENT WALL OR OBSTRUCTION ON THE PUSH SIDE OF THE OPENING.
6. ALL SIGNAGE SHALL BE MOUNTED 60" AFF TO BRaille COMPONENT AT LATCH-SIDE WALL OF DOORS AND OPENINGS.

LEGEND
 (S) STANDARD MOUNTING HEIGHT
 (PK) BARRIER FREE ADULT MOUNTING HEIGHT
 (F) FINISH FLOOR LINE

NOTE
 MOUNT ALL FIXTURES AT STANDARD MOUNTING HEIGHT UNLESS INDICATED ON PLAN BY A (S) SYMBOL. A (PK) SYMBOL AT ANY ROOM SHALL INCLUDE ONE OF ANY FIXTURE AND ACCESSORY WITHIN THE ROOM.