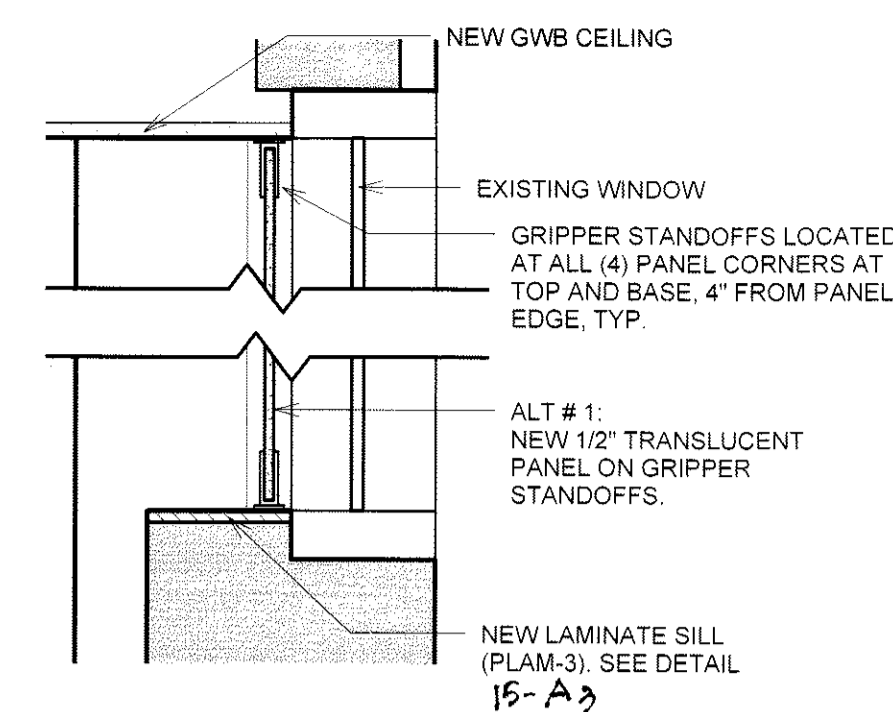
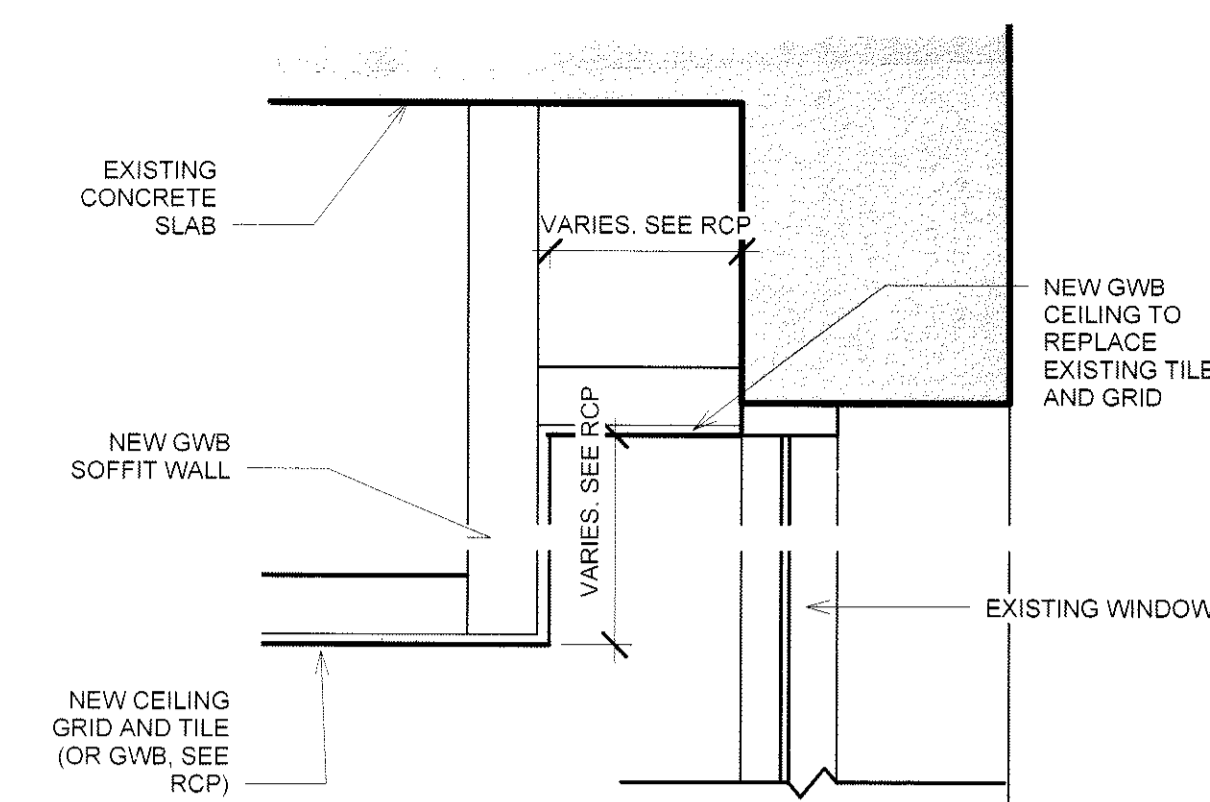


4TH FLOOR TOILET
UPGRADES & MEMIC
19 CROSS ST. / 261 COMMERCIAL ST.
PORTLAND, MAINE 04101

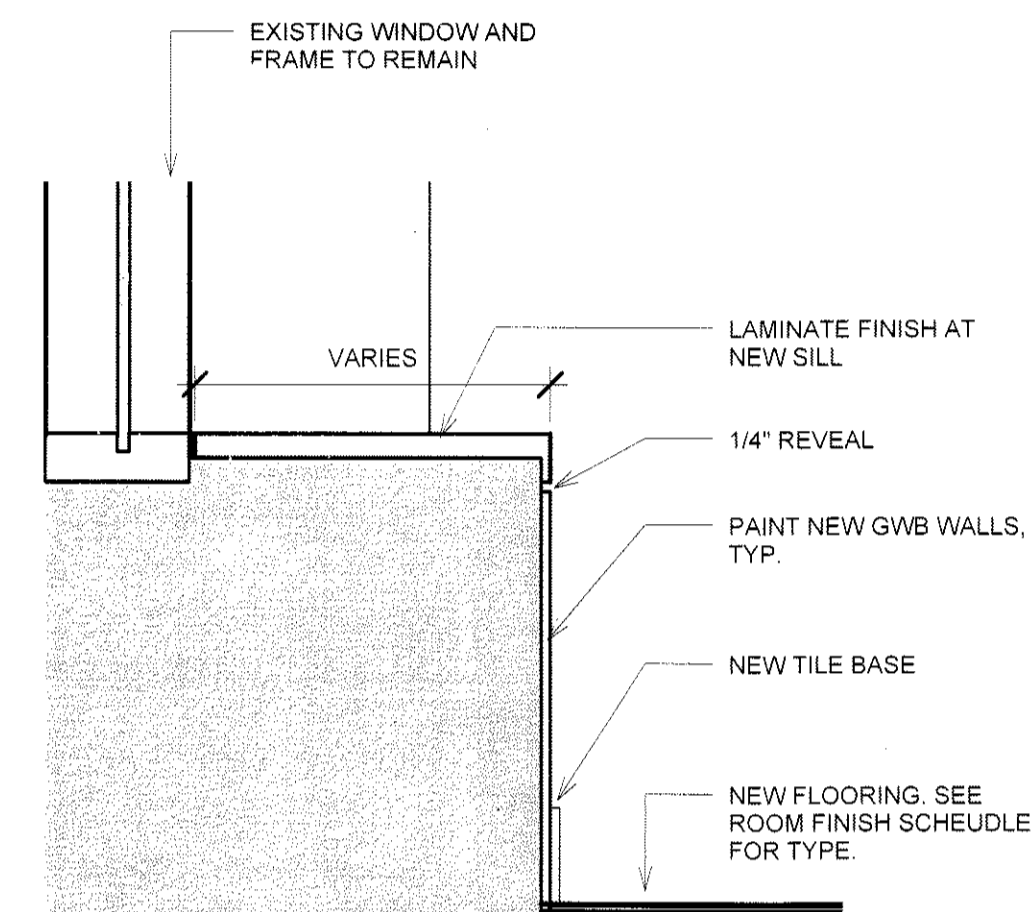
DETAILS
(COURTESY OF MEMIC)



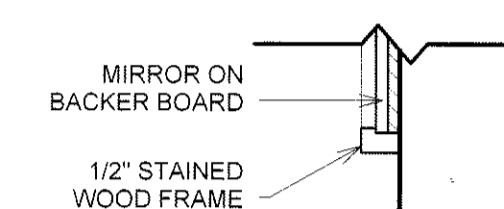
9 SECTION DETAIL AT WINDOW PANELING (ALT # 1)
1 1/2" = 1'-0"



3 CEILING AT WINDOW HEAD DETAIL
1" = 1'-0"



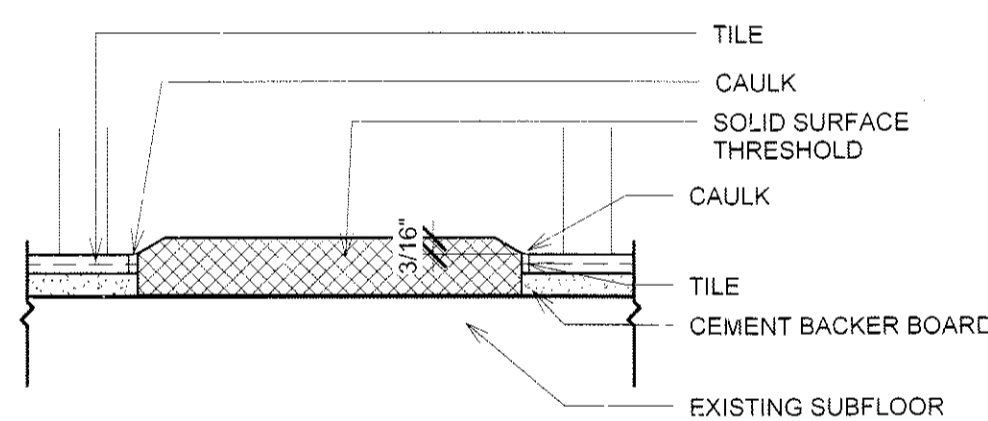
15 TYPICAL WINDOW SILL DETAIL @ BATHROOMS
1 1/2" = 1'-0"



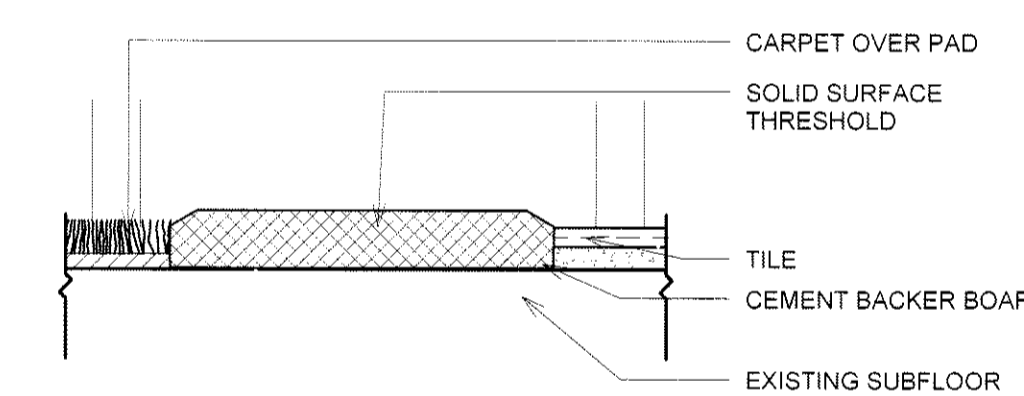
13 MIRROR FRAME DETAIL
3" = 1'-0"



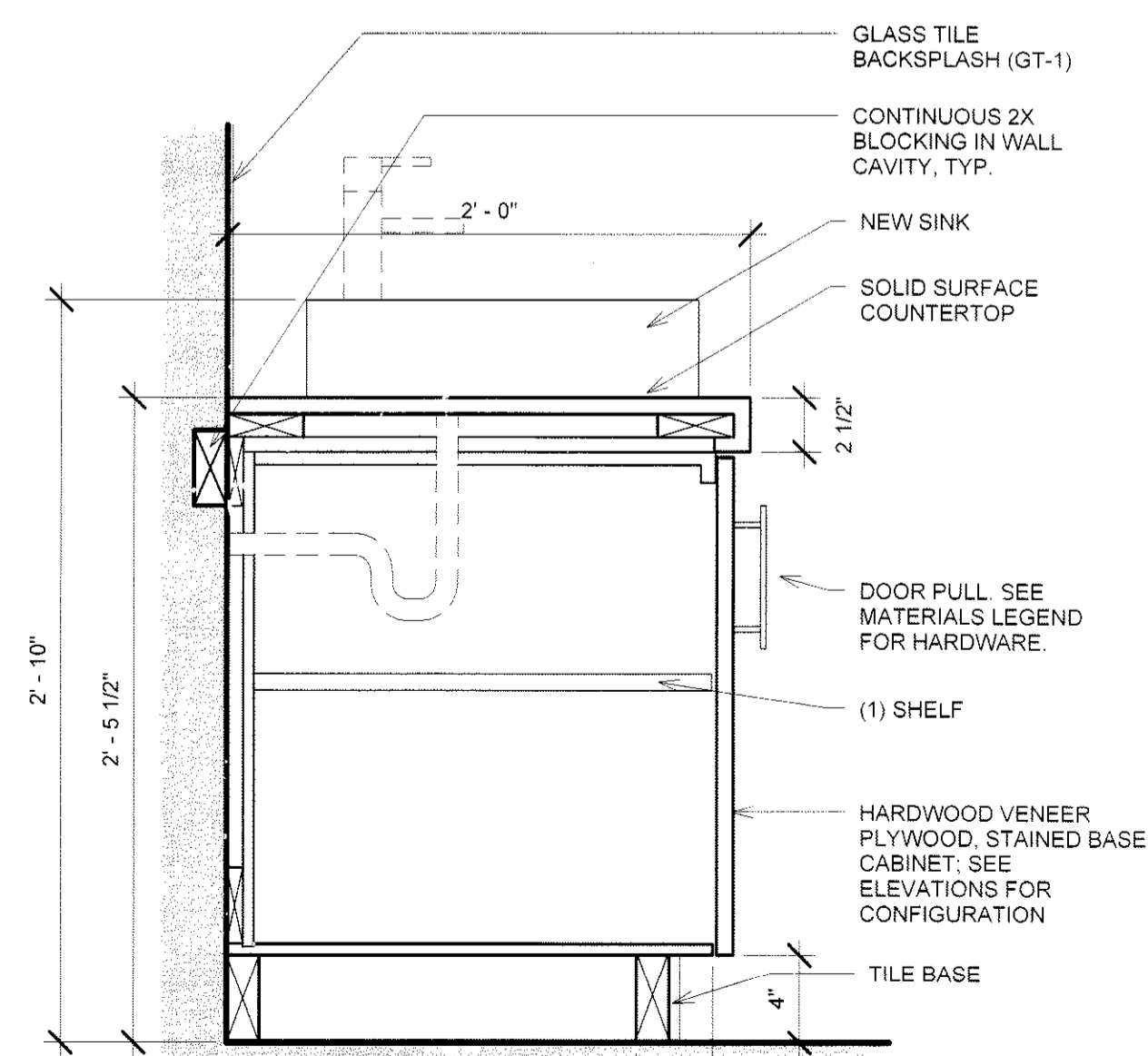
14 WOOD TRIM AT BATHROOM TILE
3" = 1'-0"



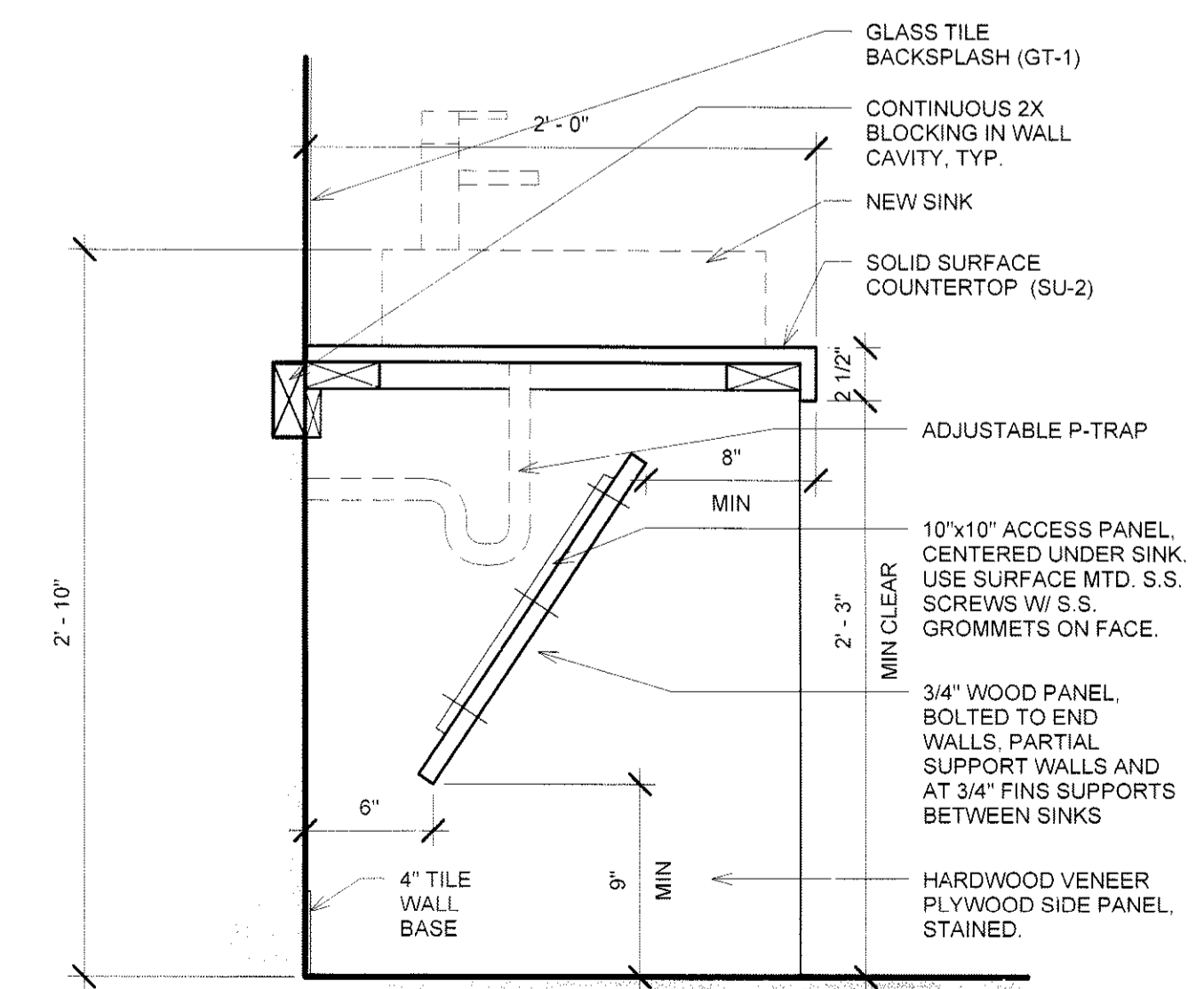
FLOOR TRANSITION - OT TO OT



FLOOR TRANSITION - CPT TO CPT



6 BATHROOM BASE CABINET
1 1/2" = 1'-0"



7 BATHROOM @ ADA SINK
1 1/2" = 1'-0"