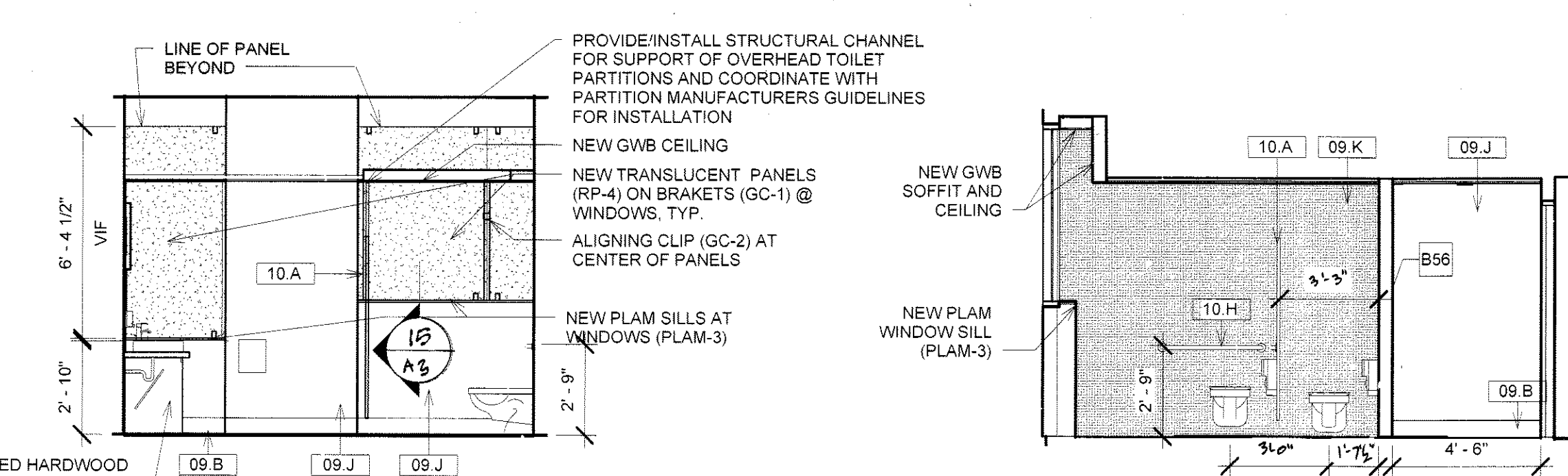


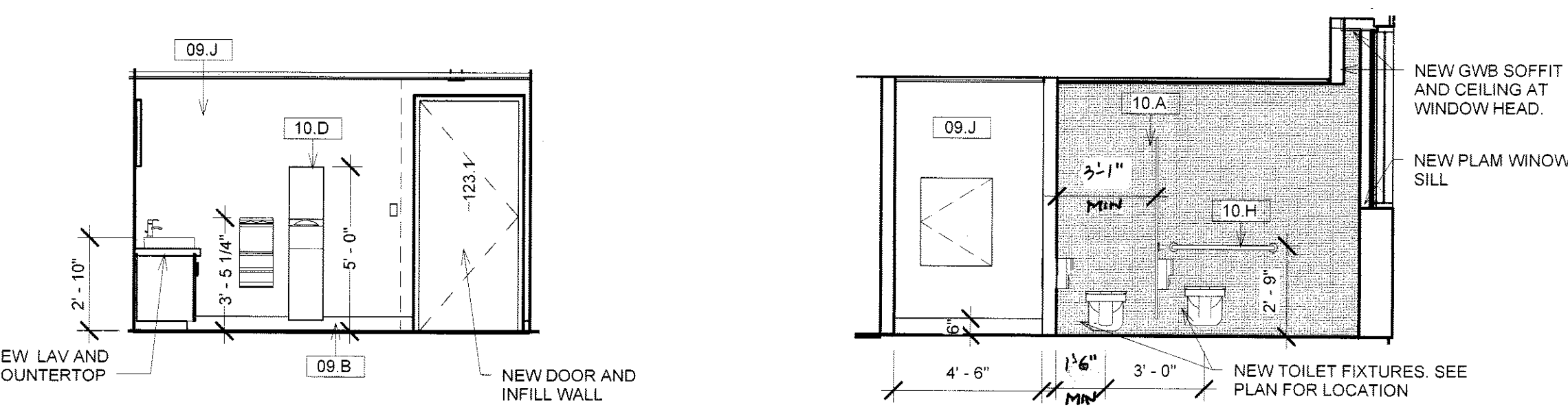
LADIES ROOM 422 NORTH WALL
1/4" = 1'-0"

LADIES ROOM 422 EAST WALL
1/4" = 1'-0"



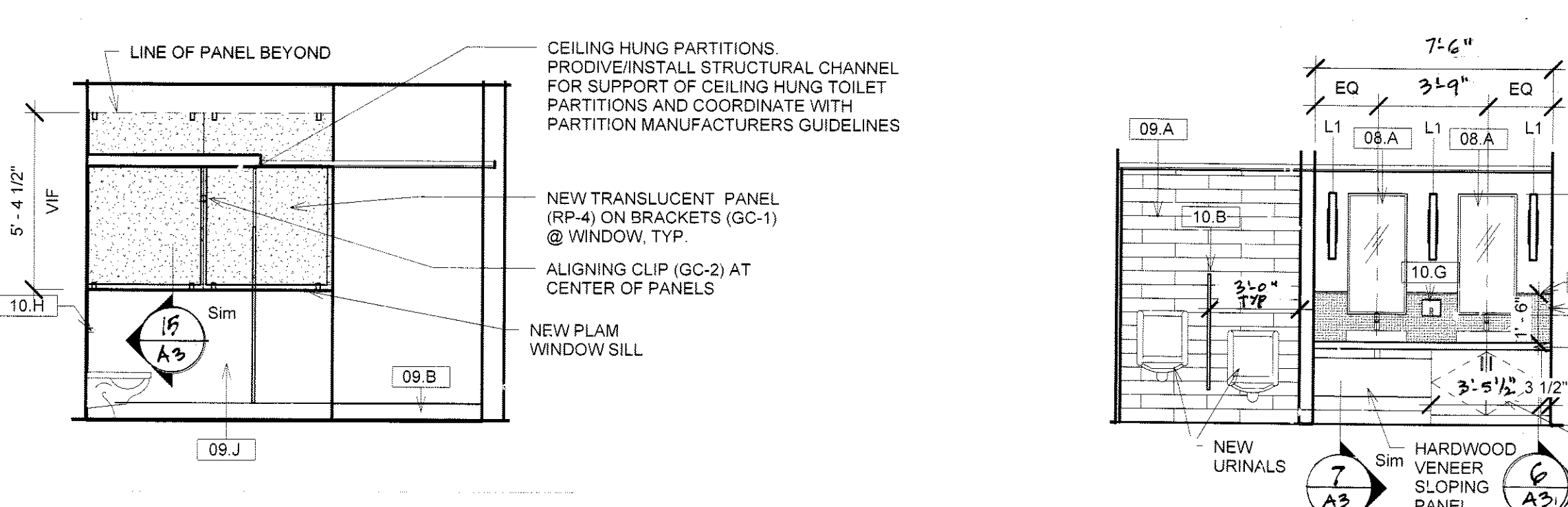
LADIES ROOM 422 SOUTH WALL
1/4" = 1'-0"

LADIES ROOM 422 WEST WALL
1/4" = 1'-0"



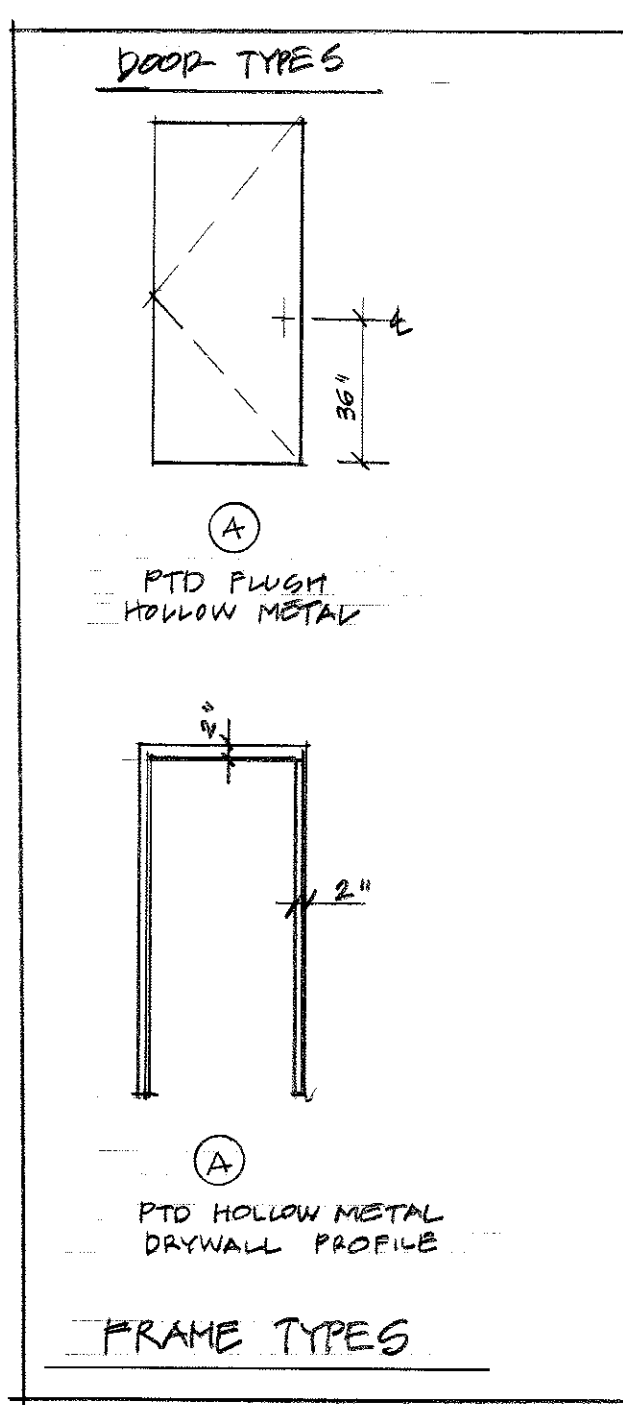
MEN'S ROOM 423 NORTH WALL
1/4" = 1'-0"

MEN'S ROOM 423 EAST WALL
1/4" = 1'-0"



MEN'S ROOM 423 SOUTH WALL
1/4" = 1'-0"

MEN'S ROOM 423 WEST WALL
1/4" = 1'-0"



DOOR SCHEDULE

DOORS										FRAMES				THRESHOLDS		
NO.	TYPE	SIZE (w x h)	THK	INSUL	HDWE	FR	GLASS		REMARKS	TYPE	FR	DETAILS		DETAILS		
							TYPE	SIZE				HEAD	JAMB	MATERIAL	SILL	FIN
422.1	A	3'0" x 7'0"	1 3/4"	NO	HW-1	NO	NONE	NONE		A	NO	DW	-	SOLID SURF	1/2" x 5"	-
423.1	A	3'0" x 7'0"	1 3/4"	NO	HW-1	NO	NONE	NONE		A	NO	DW	-	SOLID SURF	1/2" x 5"	-

FINISH SCHEDULE

RM NO.	NAME	WALLS				FLOORS				CEILING A		CEILING B		REMARKS
		N	E	S	W	MAT'L	BASE	MAT'L	BASE	TYPE	HT.	TYPE	HT.	
422	LADIES ROOM	P2	P2/GF1	P2	P2/GF1	GT	GT	-	-	G-2	B-4"	G-5"	B-4"	* AT TOILET STALLS
423	MEN'S ROOM	P2	P2/GF1	P2	P2/GF1	GT	GT	-	-	G-2	B-4"	G-5"	B-4"	* AT TOILET STALLS

- NOTES
- INTERIOR ELEVATIONS COURTESY OF MEMIC (FIRST FLOOR EXISTING CONDITIONS).
 - ALL 4TH FLOOR FINISHES SPECIFICATIONS SHALL BE PROVIDED BY MEMIC.
 - FIELD VERIFY ALL DIMENSIONS PRIOR TO COMMENCING WITH THE WORK.