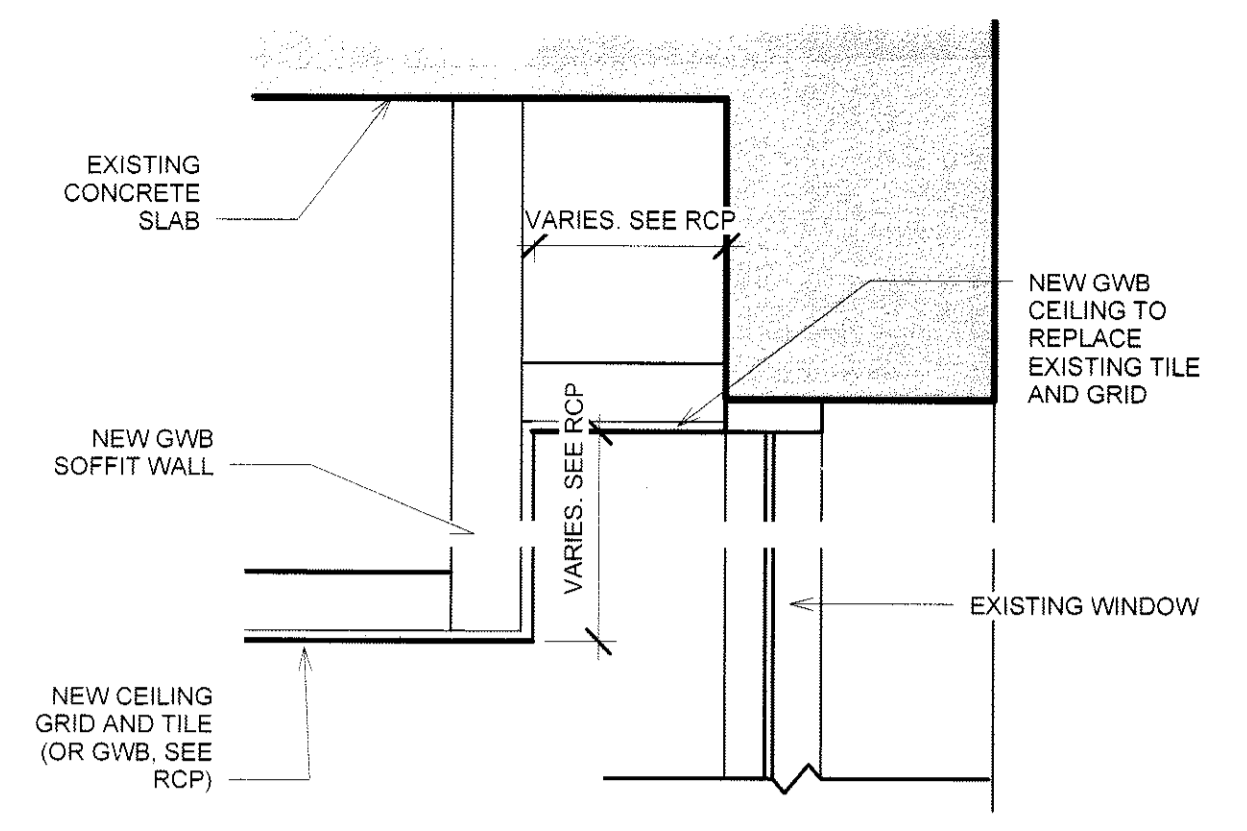
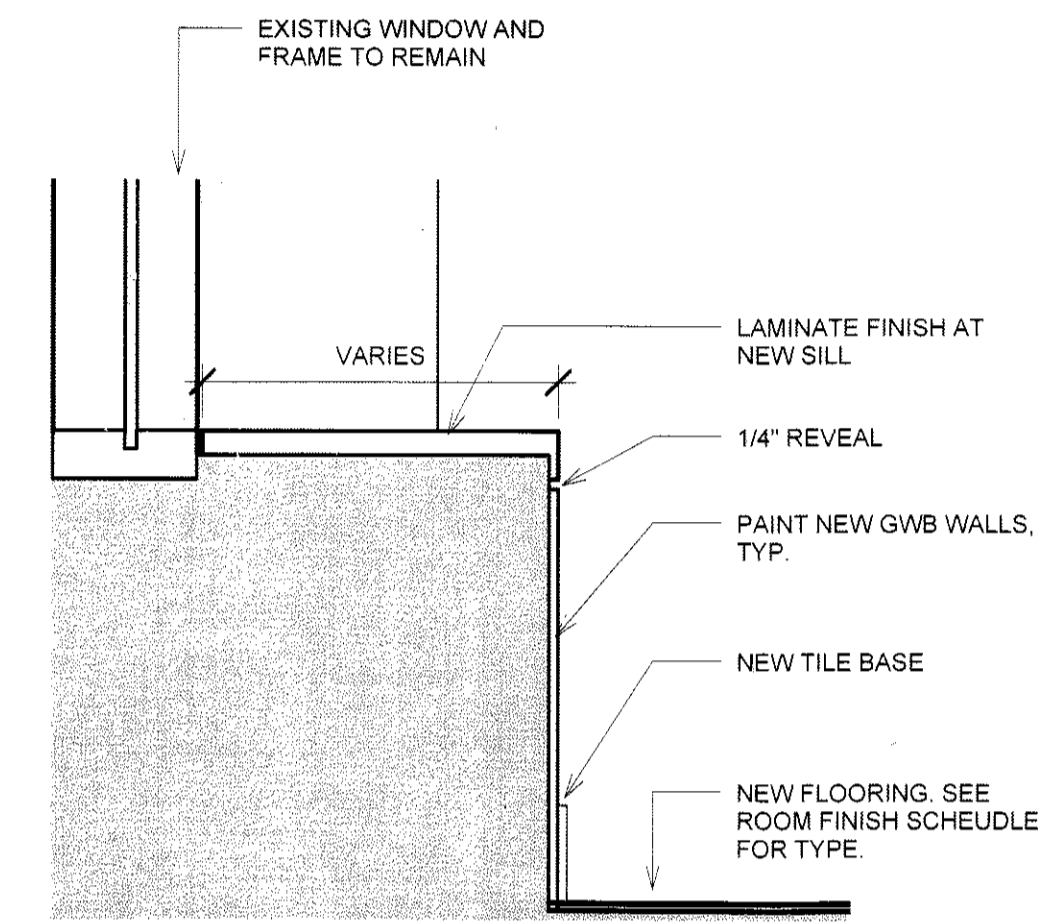


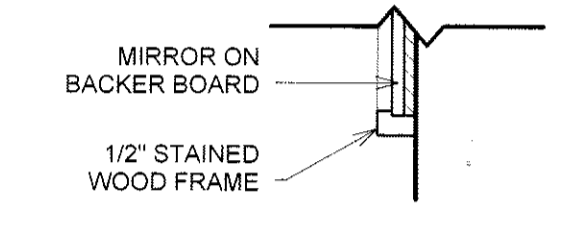
9 SECTION DETAIL AT WINDOW PANELING (ALT # 1)
1 1/2" = 1'-0"



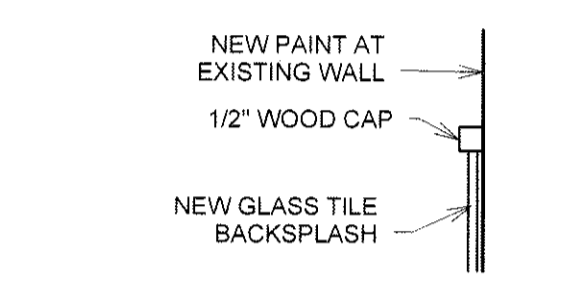
3 CEILING AT WINDOW HEAD DETAIL
1" = 1'-0"



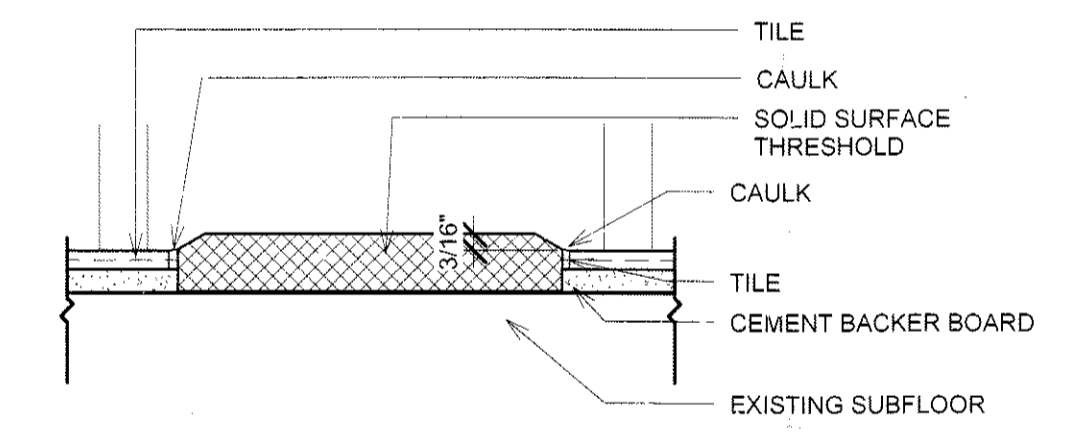
15 TYPICAL WINDOW SILL DETAIL @ BATHROOMS
1 1/2" = 1'-0"



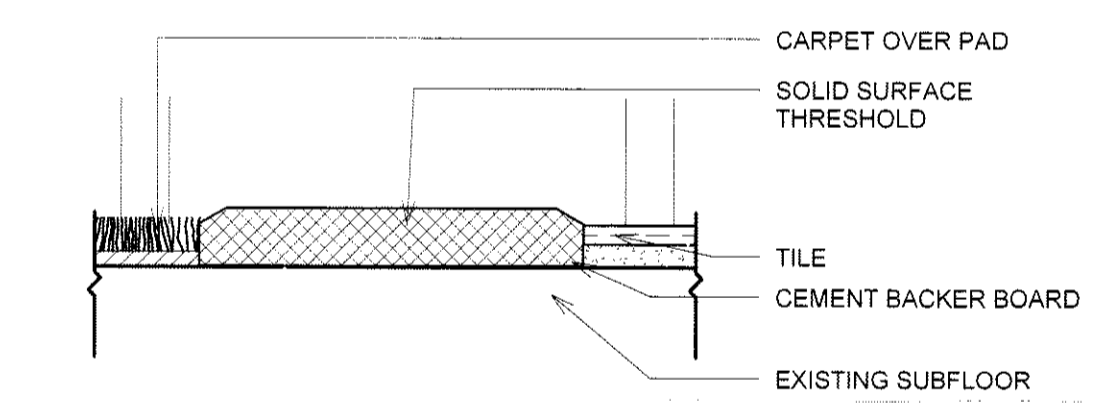
13 MIRROR FRAME DETAIL
3" = 1'-0"



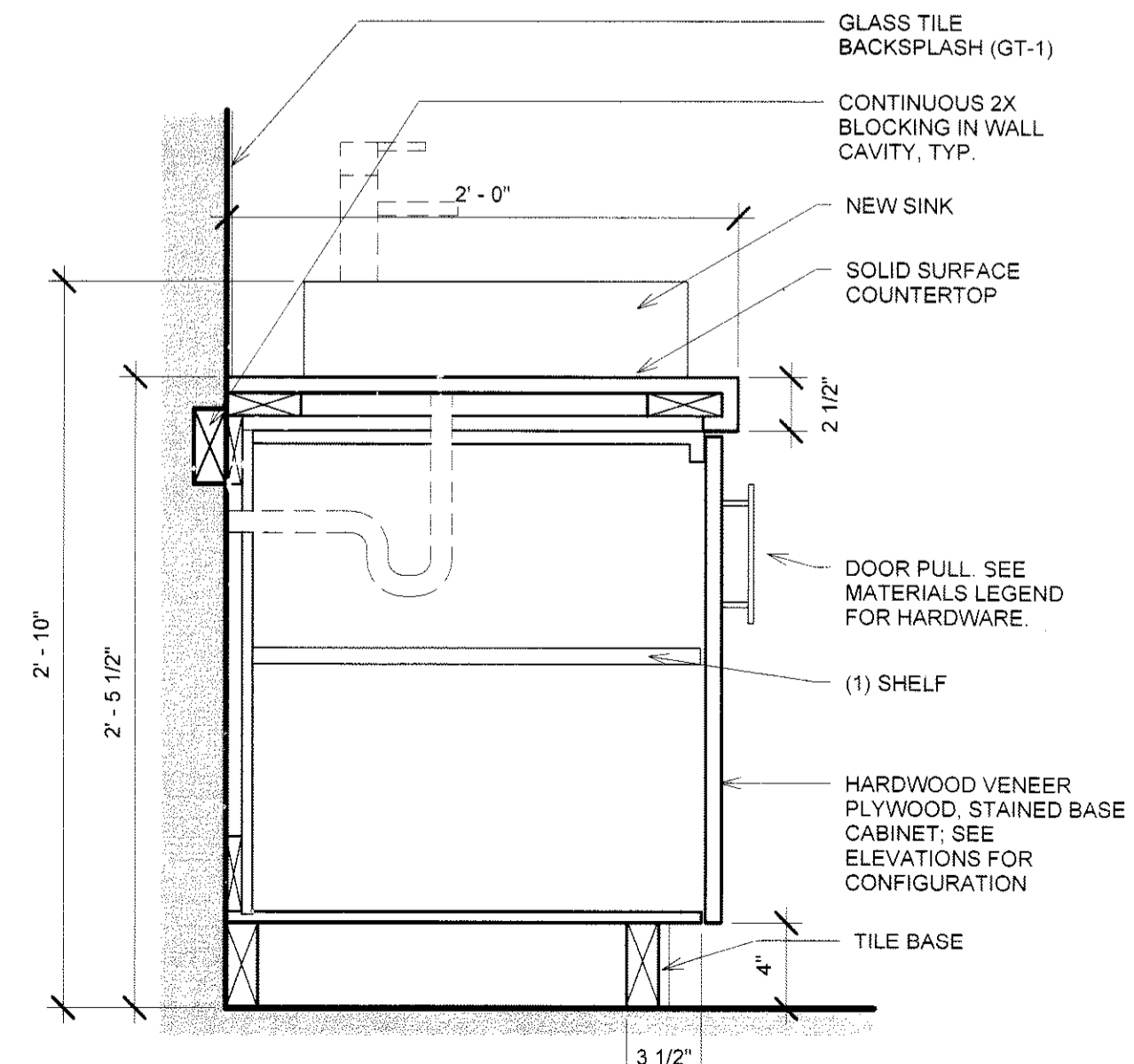
14 WOOD TRIM AT BATHROOM TILE
3" = 1'-0"



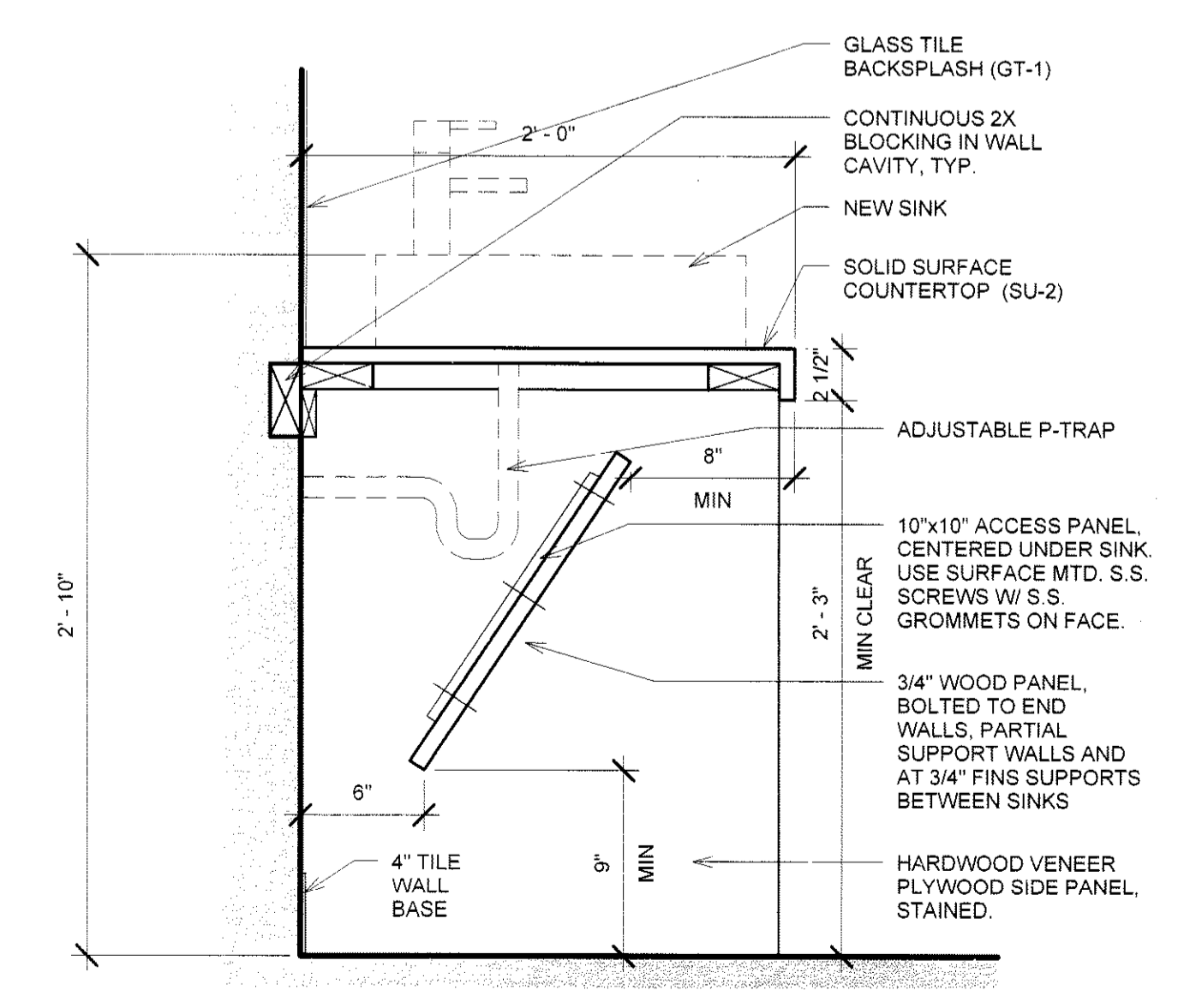
FLOOR TRANSITION - OT TO OT



FLOOR TRANSITION - CPT TO OT



6 BATHROOM BASE CABINET
1 1/2" = 1'-0"



7 BATHROOM @ ADA SINK
1 1/2" = 1'-0"

DRAWING NAME

5TH FLOOR TOILET
UPGRADES & MEMIC
19 CROSS ST. / 261 COMMERCIAL ST.
PORTLAND, MAINE 04101

MEET

DETAILS
COURTESY OF MEMIC

DATE
17 JAN 2014
SCALE
AS NOTED
DRAWN BY
MFH
JOB NO.
140101
MEET
A-3