

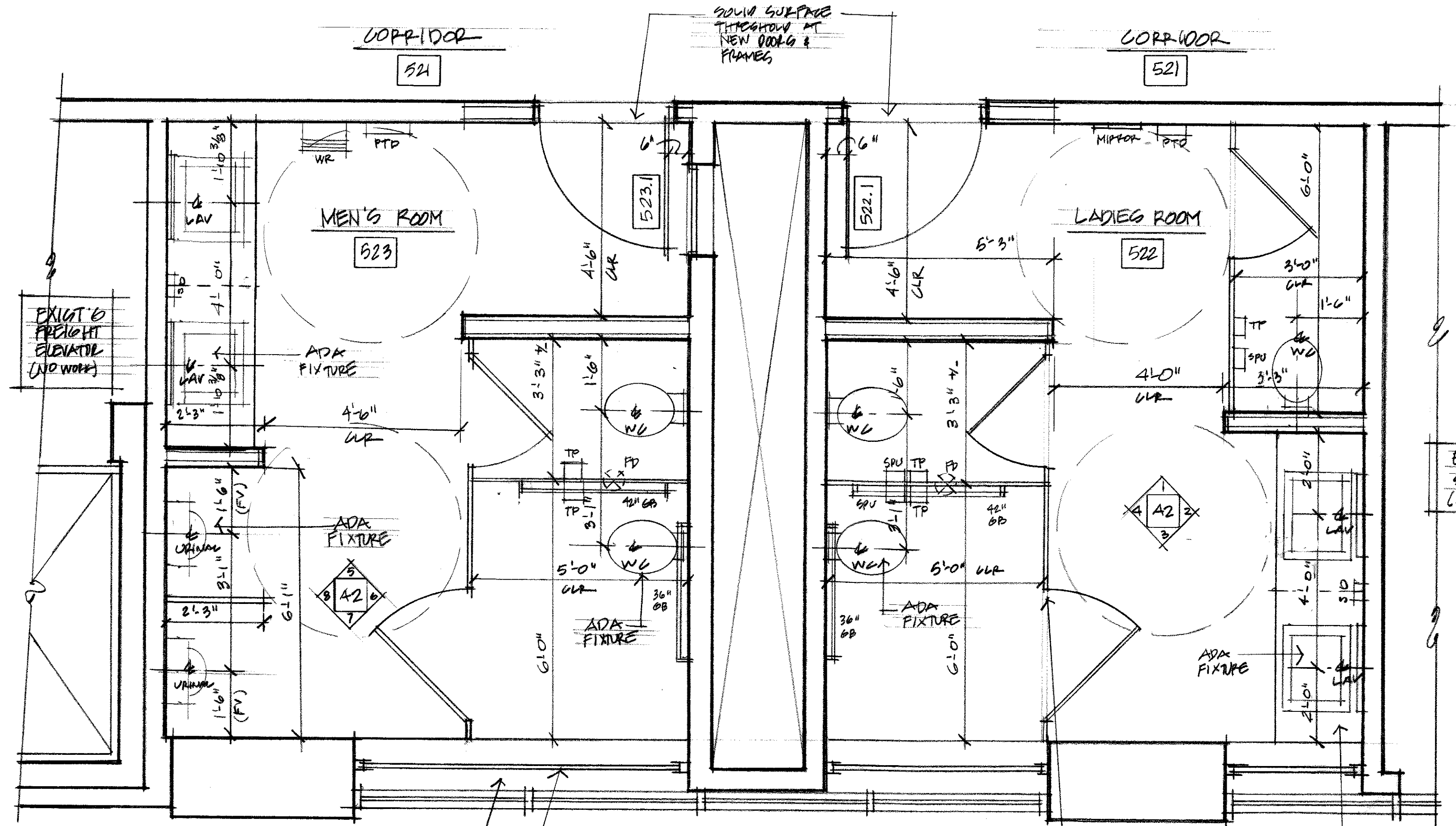
DRAWING NAME

5TH FLOOR TOILET
UPGRADES & MEMIC
19 CROSS ST / 261 COMMERCIAL ST.
PORTLAND, MAINE 04101

SHEET

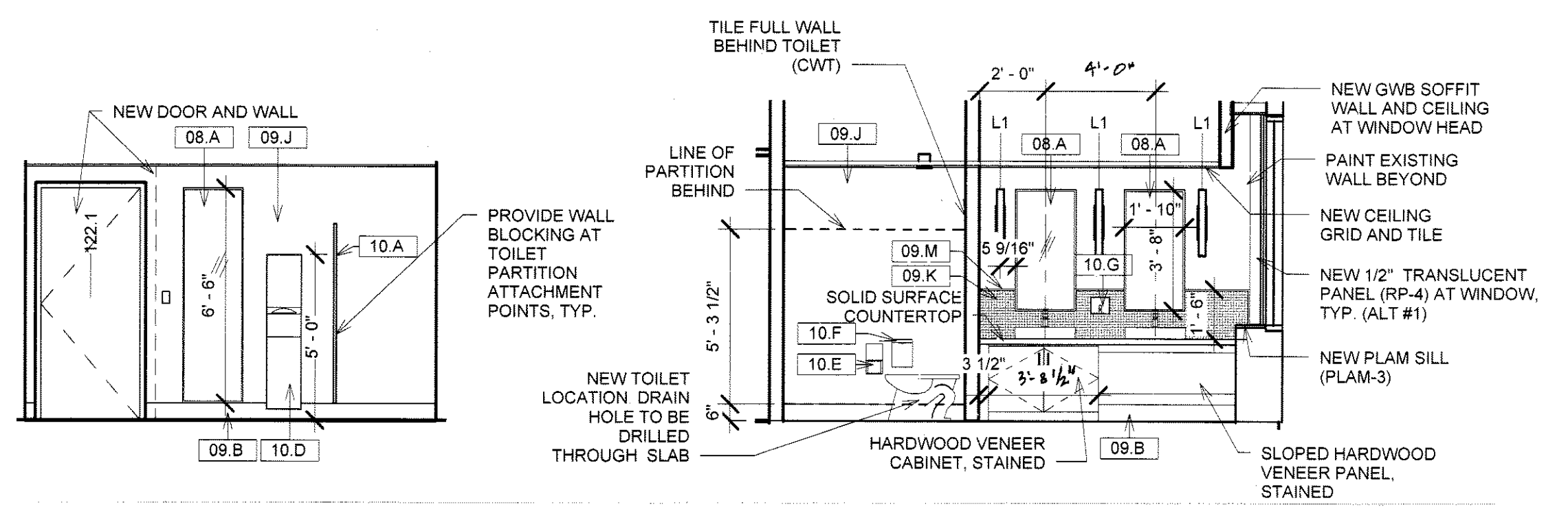
5TH FLOOR
TOILET ROOM
PLANS

DATE
17 JAN 2014
SCALE
AS NOTED
DRAWN
MFH
JOB NO.
140101
SHEET

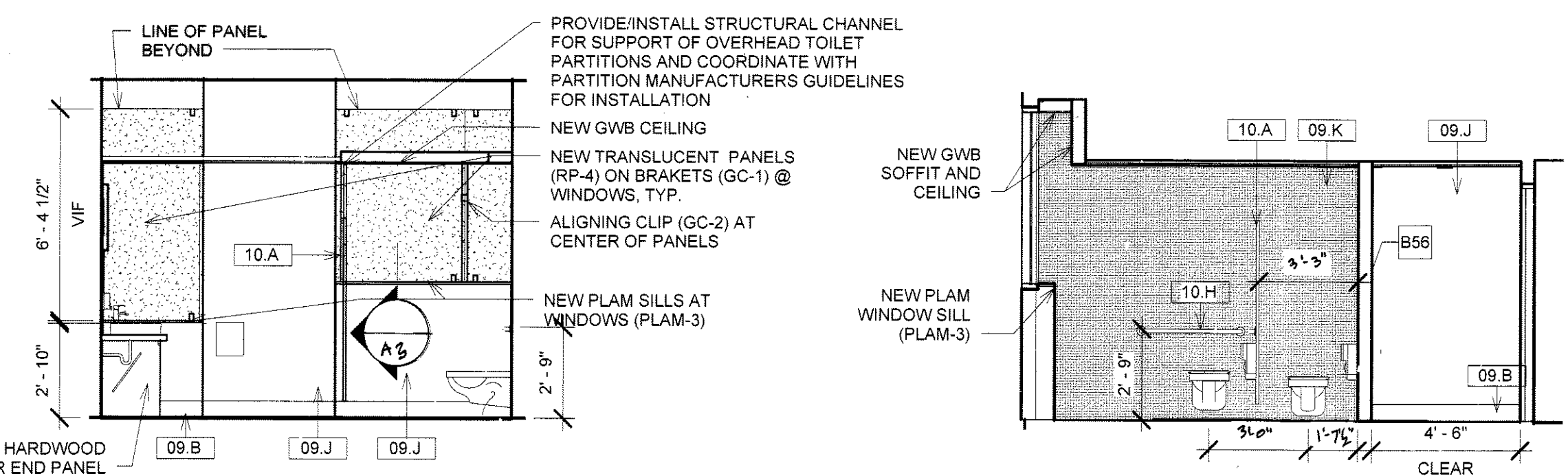


5TH FLOOR LAYOUT
OF MEN'S & LADIES
1/2" = 1'-0"

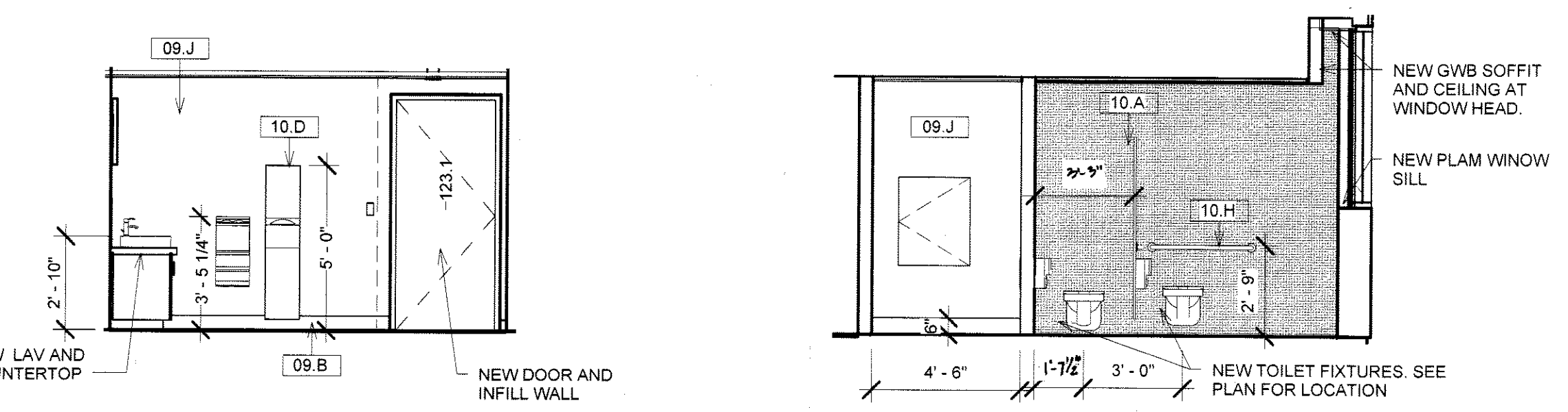
NOTE: SLOPE FLOORS TO NEW FLOOR DRAINS (FD)



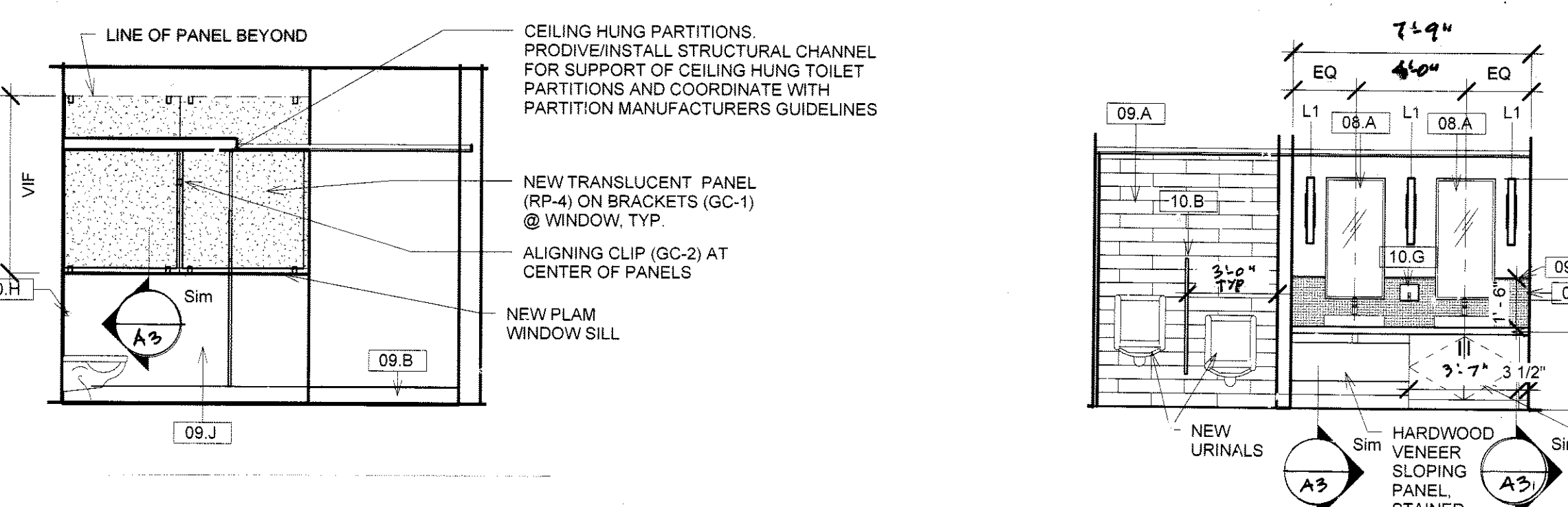
LADIES ROOM 522 NORTH WALL
1/4" = 1'-0"
LADIES ROOM 522 EAST WALL
1/4" = 1'-0"



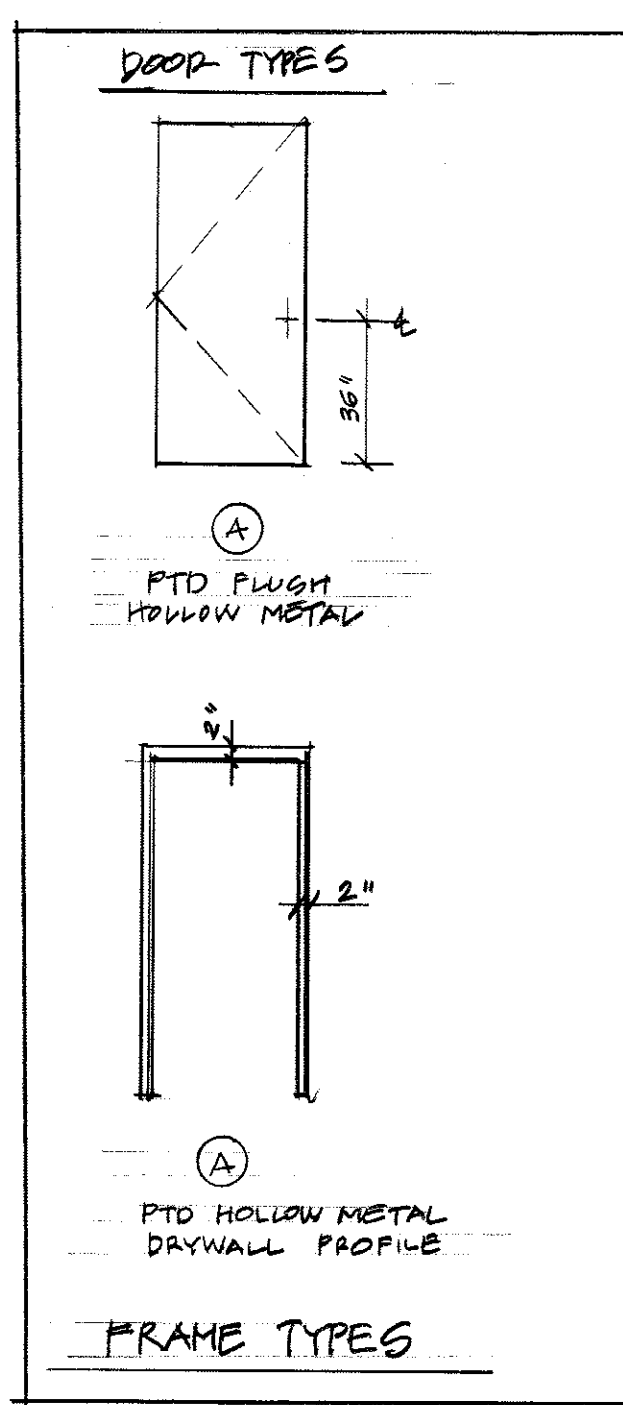
LADIES ROOM 522 SOUTH WALL
1/4" = 1'-0"
LADIES ROOM 522 WEST WALL
1/4" = 1'-0"



MEN'S ROOM 523 NORTH WALL
1/4" = 1'-0"
MEN'S ROOM 523 EAST WALL
1/4" = 1'-0"



MEN'S ROOM 523 SOUTH WALL
1/4" = 1'-0"
MEN'S ROOM 523 WEST WALL
1/4" = 1'-0"



DOOR SCHEDULE

NO.	TYPE	SIZE (w x h)	THK	INSUL	HDWE	FR	GLASS		REMARKS	FRAMES				THRESHOLDS			
							TYPE	SIZE		TYPE	FR	PROFILE	DETAILS	DETAILS	MATERIAL	SILL	FIN
522.1	A	3'0" x 7'0"	1 3/4"	NO	HW-1	NO	NONE	NONE		A	NO	DW	-	-	SOLID SURF	1/2" x 5"	-
523.1	A	3'0" x 7'0"	1 3/4"	NO	HW-1	NO	NONE	NONE		A	NO	DW	-	-	SOLID SURF	1/2" x 5"	-

FINISH SCHEDULE

RM NO.	NAME	WALLS				FLOORS		CEILING A		CEILING B		REMARKS
		N	E	S	W	MAT'L	BASE	TYPE	HT.	TYPE	HT.	
522	LADIES ROOM	P2	P2/PT-1	P2	P2/PT-1	CT	CT	C-2	B-4"	C-5"	B-4"	* AT TOILET STALLS
523	MEN'S ROOM	P2	P2/PT-1	P2	P2/PT-1	CT	CT	C-2	B-4"	C-5"	B-4"	* AT TOILET STALLS

- NOTES
- INTERIOR ELEVATIONS COURTESY OF MEMIC (FIRST FLOOR EXISTING CONDITIONS).
 - ALL 5TH FLOOR FINISHES SPECIFICATIONS SHALL BE PROVIDED BY MEMIC.
 - FIELD VERIFY ALL DIMENSIONS PRIOR TO COMMENCING WITH THE WORK.