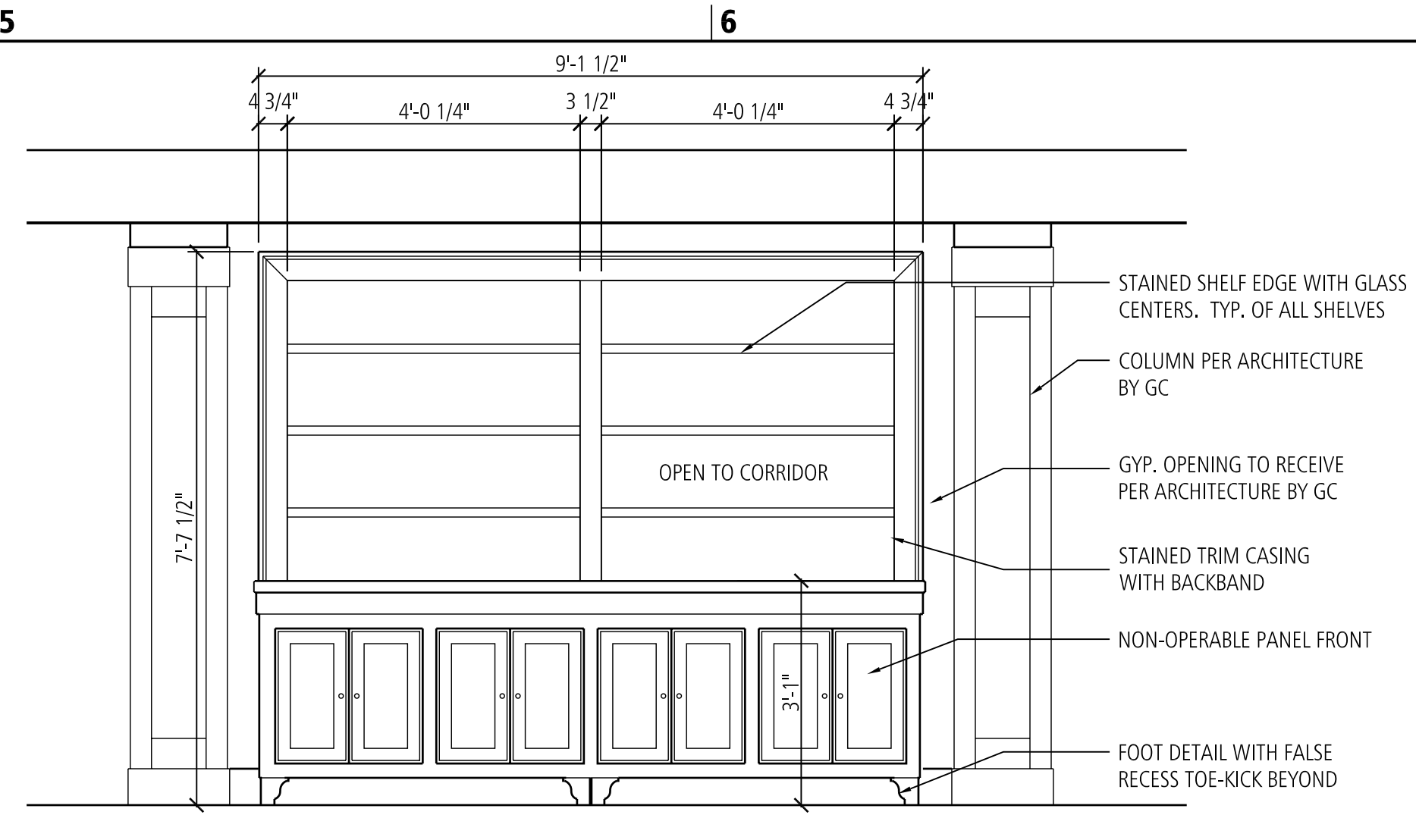


**MATERIAL LEGEND**

|        |                               |
|--------|-------------------------------|
| W      | STAIN GRADE MAHOGANY OR EQUAL |
| ST     | MATCH ARCHITECT SAMPLE        |
| HDWARE | PER SPECIFICATION             |

1 MW-1 / Bar Plan  
Scale: 1/2" = 1'-0"

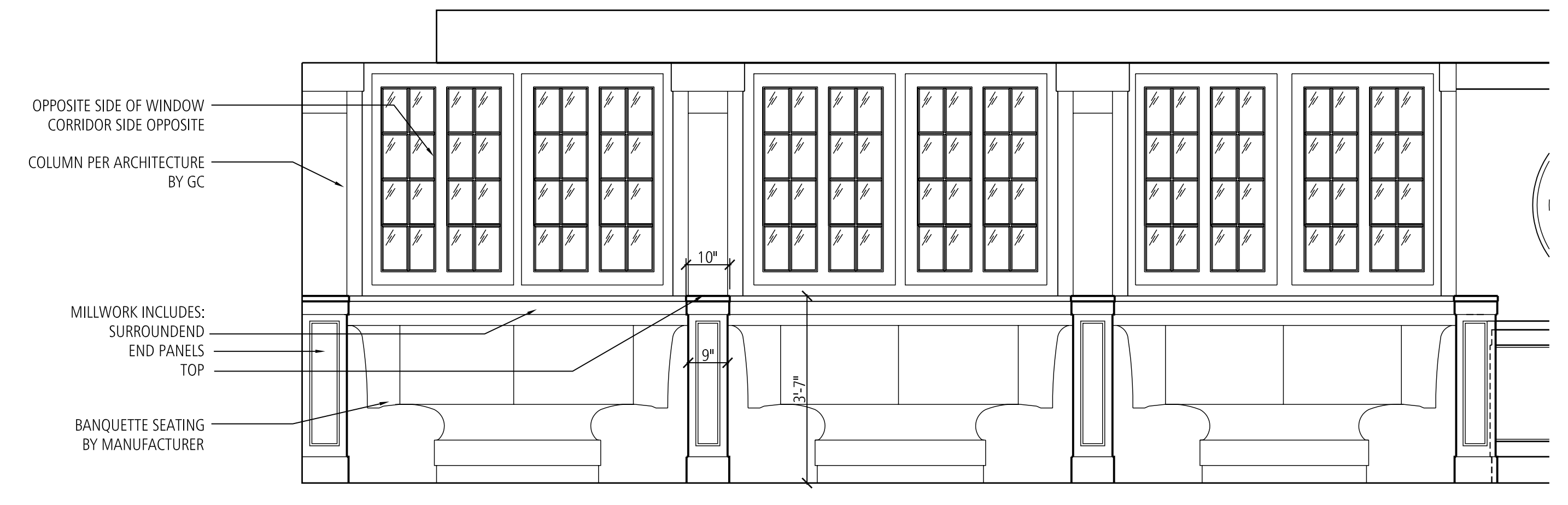


**MATERIAL LEGEND**

|        |                               |
|--------|-------------------------------|
| W      | STAIN GRADE MAHOGANY OR EQUAL |
| ST     | MATCH ARCHITECT SAMPLE        |
| HDWARE | PER SPECIFICATION             |

NOTE  
CORRIDOR SIDE (OPPOSITE OF ELEVATION SHOWN) IS TO HAVE PANELS TO MATCH PANEL DESIGN BELOW MW-4 WINDOW WALL

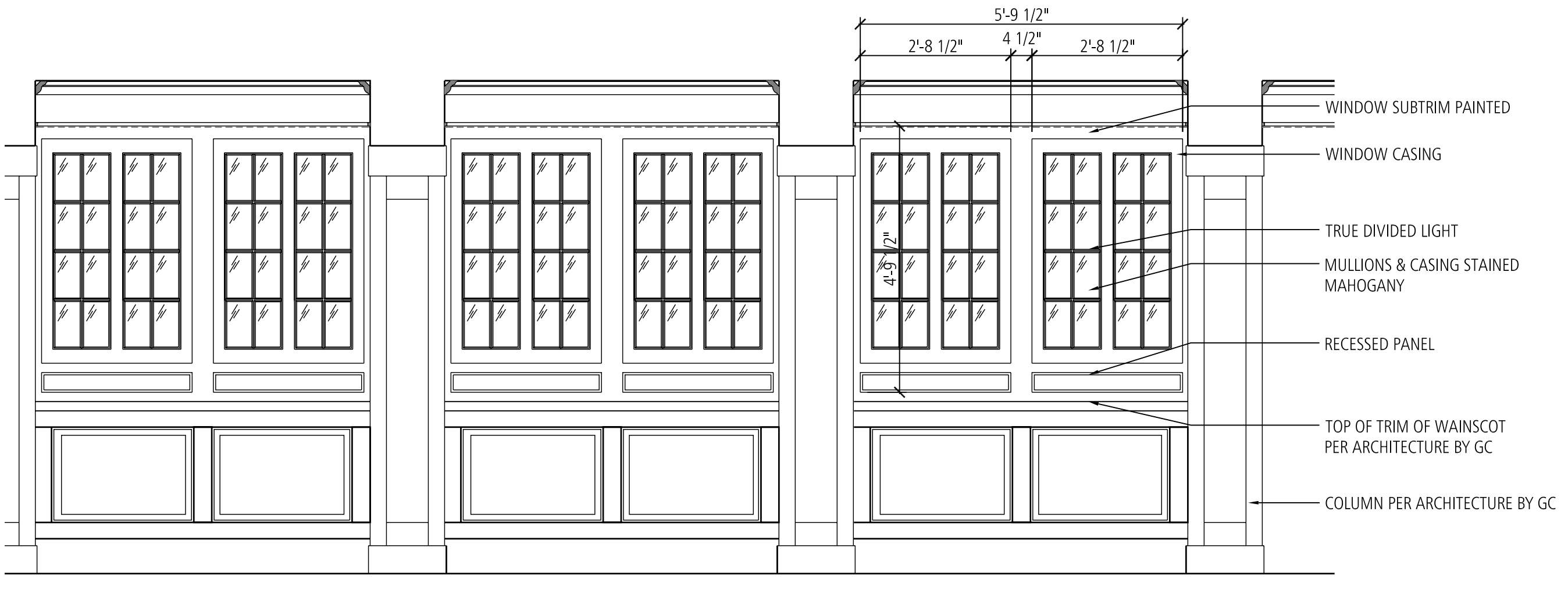
2 MW-2 / Display Unit Plan  
Scale: 1/2" = 1'-0"



**MATERIAL LEGEND**

|    |                        |
|----|------------------------|
| W  | PAINT GRADE            |
| PT | COLOR TO BE DETERMINED |

3 MW-3 / Banquette Seating  
Scale: 1/2" = 1'-0"

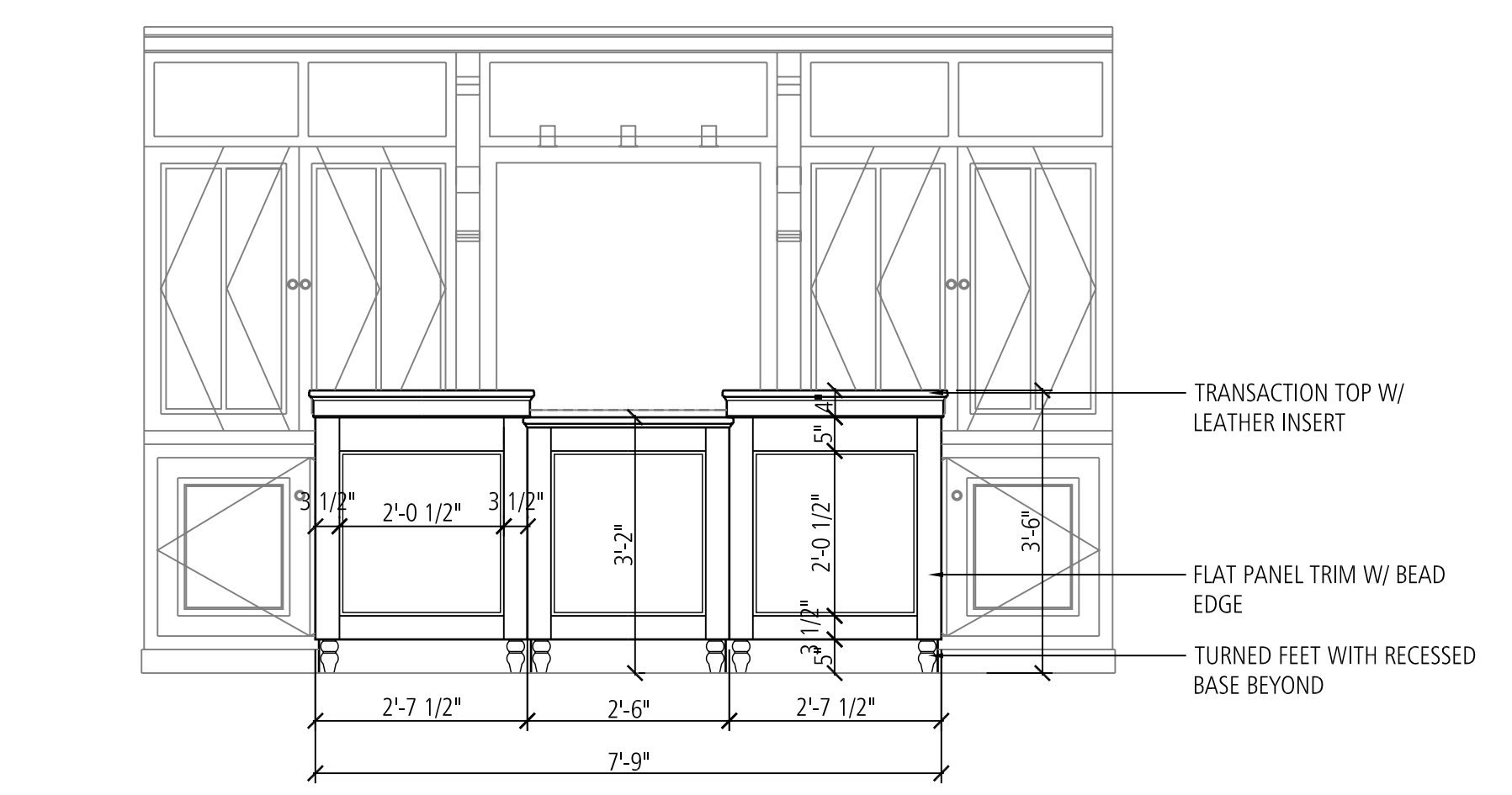


QTY:3

**MATERIAL LEGEND**

|         |                           |
|---------|---------------------------|
| W       | PAINT GRADE + MAHOGANY    |
| PT + ST | TBD + MATCH FINISH SAMPLE |
| GLASS   | TRANSLUCENT               |

4 MW-4 / Window Wall  
Scale: 1/2" = 1'-0"

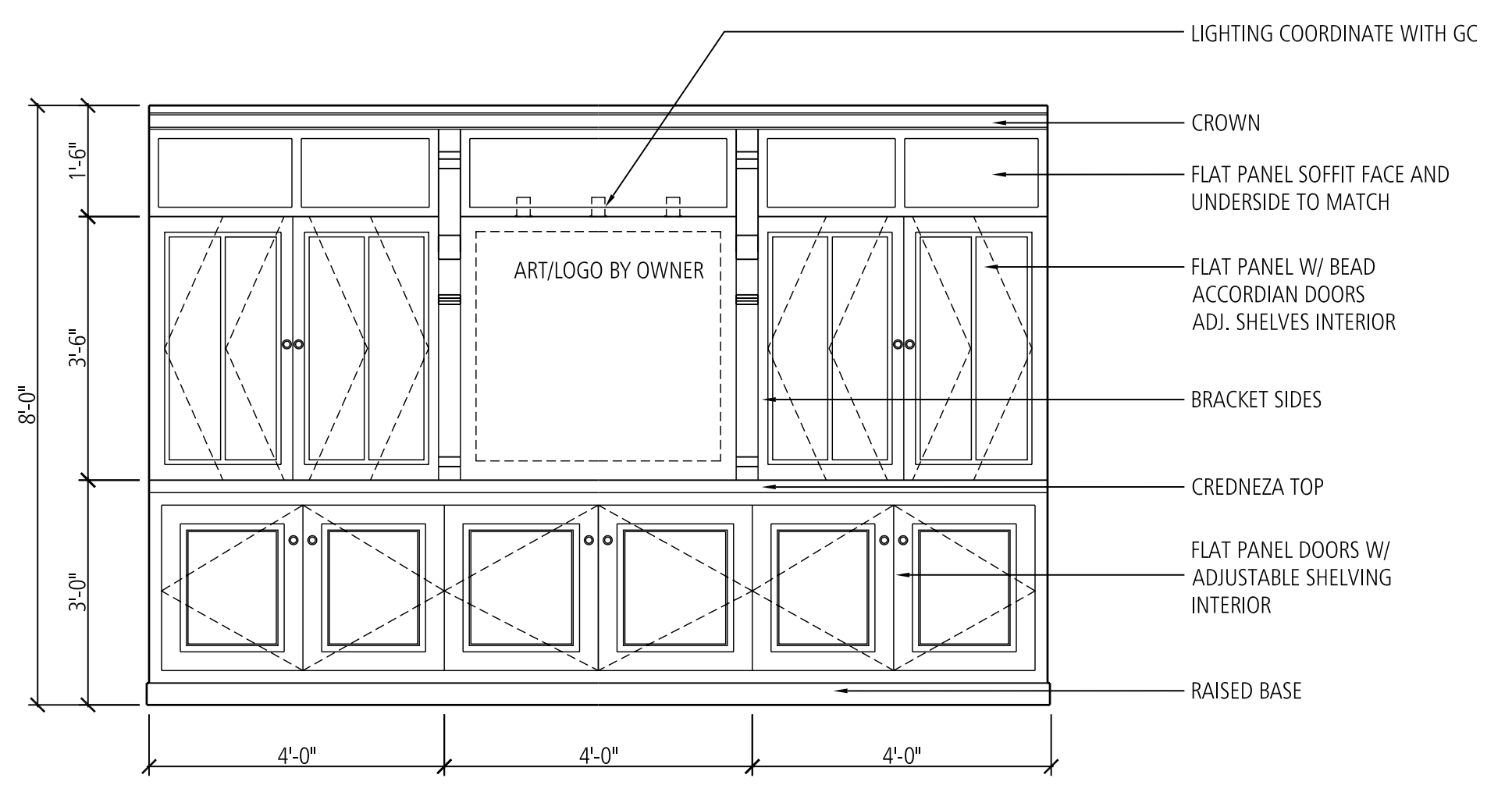


**MATERIAL LEGEND**

|        |                               |
|--------|-------------------------------|
| W      | STAIN GRADE MAHOGANY OR EQUAL |
| ST     | MATCH ARCHITECT SAMPLE        |
| HDWARE | PER SPECIFICATION             |

BACK OF REGISTRATION DESK  
3 DRAWERS / LOCKABLE  
ADJUSTABLE SHELVING BELOW

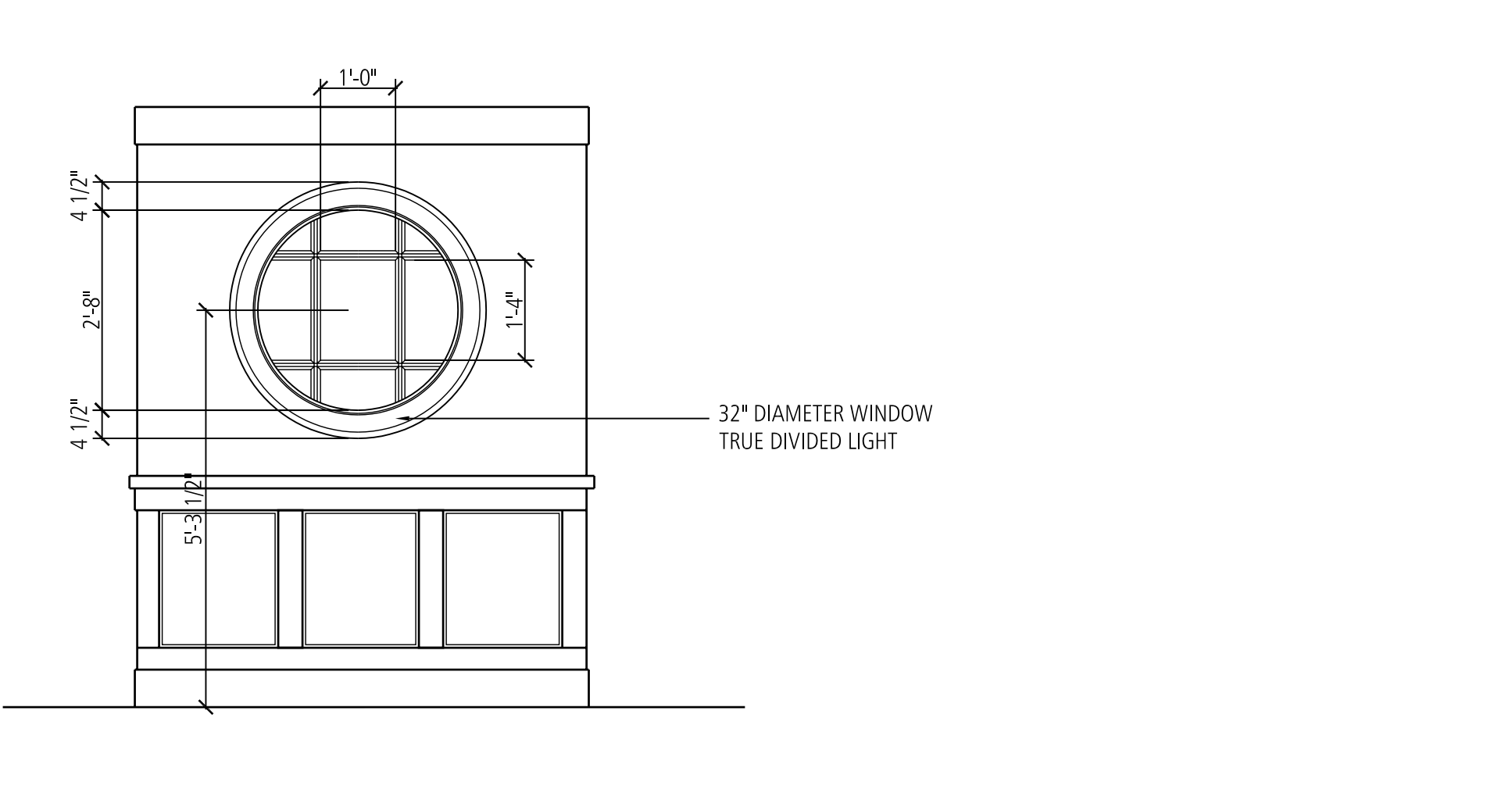
5 MW-5 / Registration Desk  
Scale: 1/2" = 1'-0"



**MATERIAL LEGEND**

|        |                               |
|--------|-------------------------------|
| W      | STAIN GRADE MAHOGANY OR EQUAL |
| ST     | MATCH ARCHITECT SAMPLE        |
| HDWARE | PER SPECIFICATION             |

6 MW-6 / Registration Credenza  
Scale: 1/2" = 1'-0"



**MATERIAL LEGEND**

|       |                        |
|-------|------------------------|
| W     | PAINT GRADE            |
| PT    | COLOR TO BE DETERMINED |
| GLASS | TRANSLUCENT            |

7 MW-7 / Circular Window  
Scale: 1/2" = 1'-0"

| No. | Description | Date |
|-----|-------------|------|
|-----|-------------|------|

Portland Harbor Hotel  
**Interior Renovation,  
Phase I**

Millwork Details

|                  |                  |
|------------------|------------------|
| Project number : | 1730             |
| Date :           | 04 January, 2008 |
| Drawn by :       | CSH              |
| Checked by :     | -                |
| Project Phase :  | Construction     |

**1402**

Scale : Specific per drawing