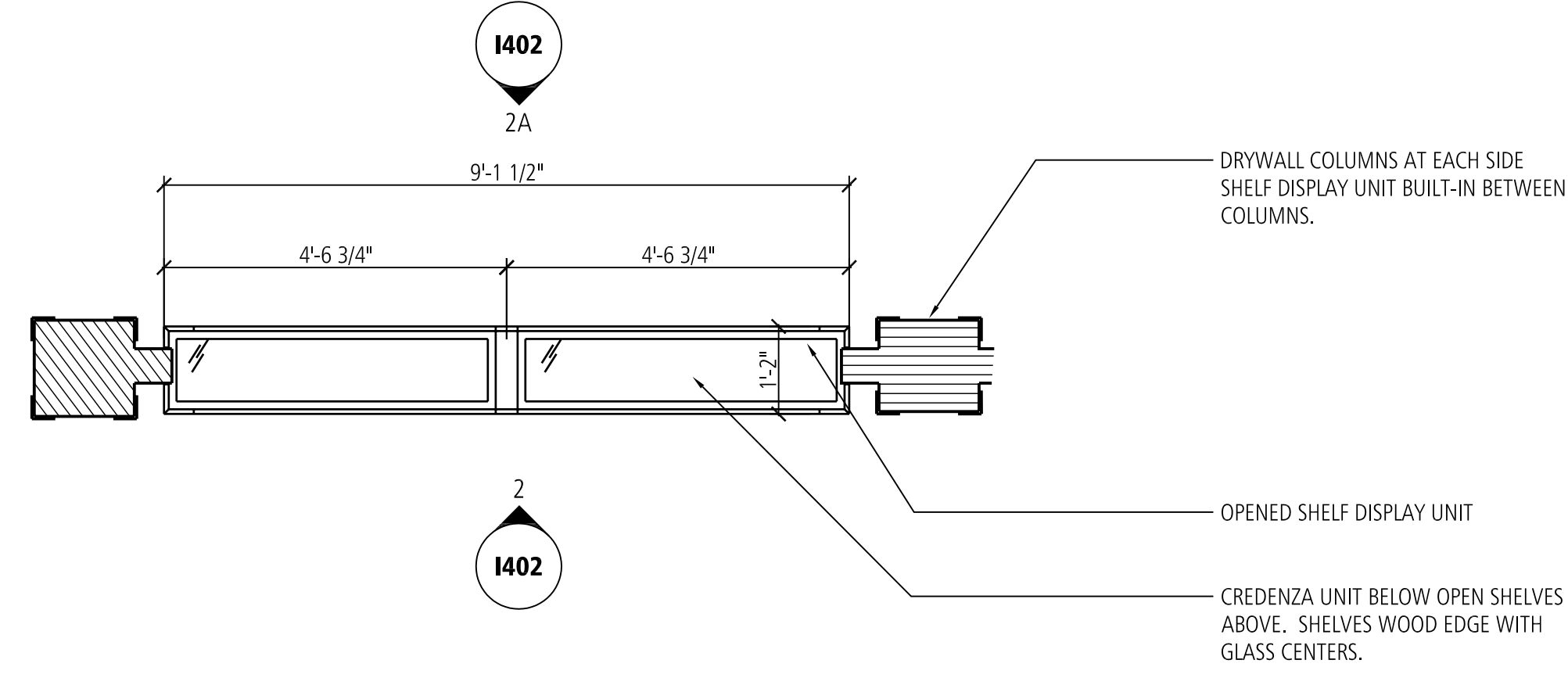
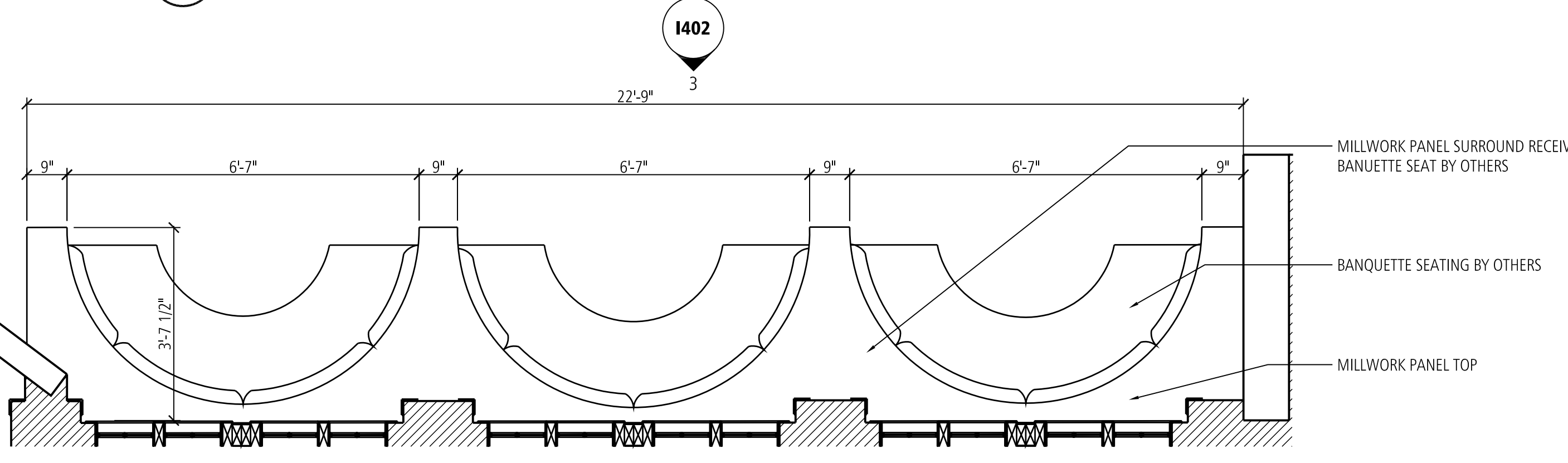


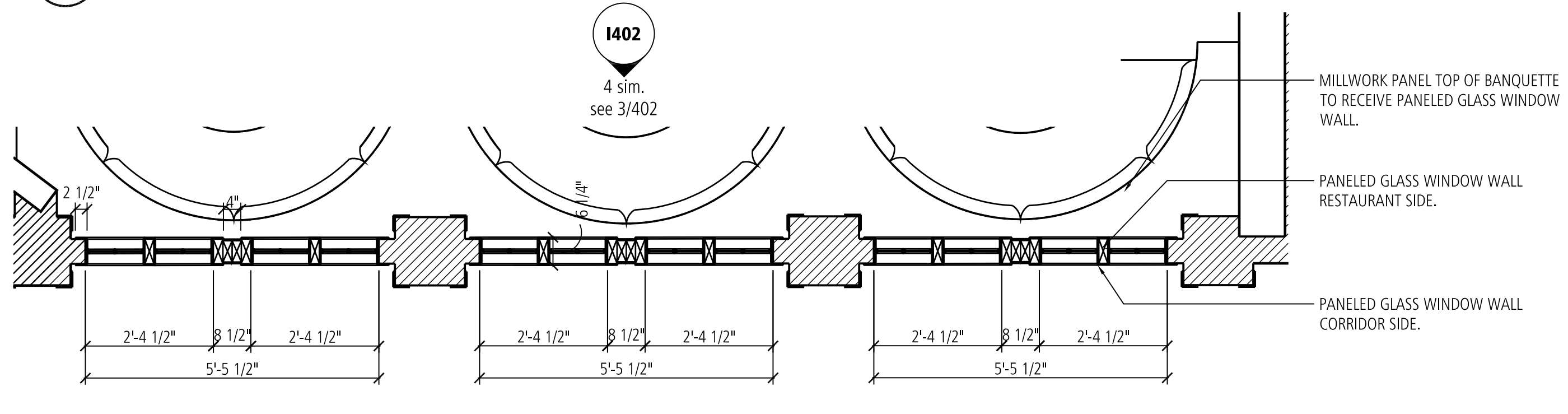
1 MW-1 / Bar Plan
Scale: 1/2" = 1'-0"



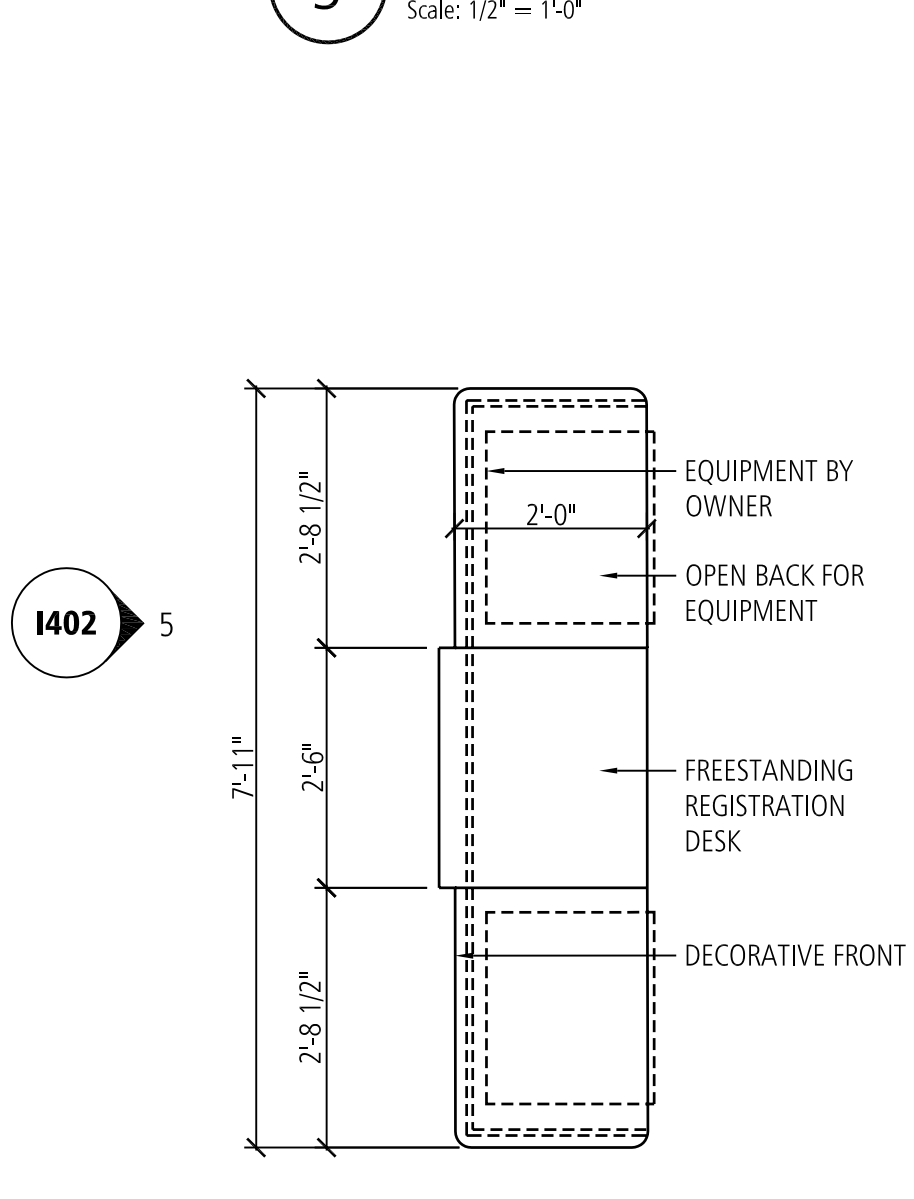
2 MW-2 / Display Unit Plan
Scale: 1/2" = 1'-0"



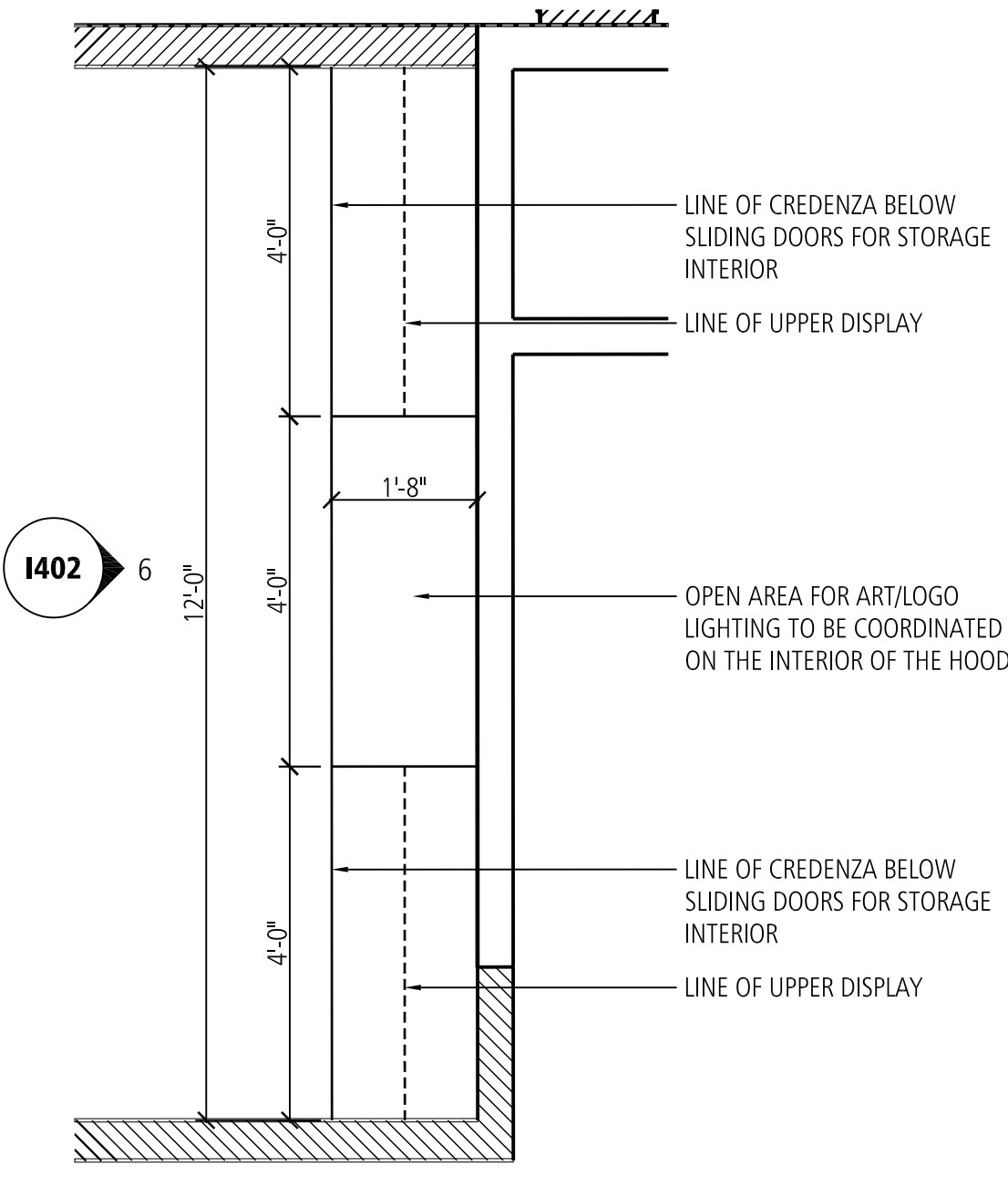
3 MW-3 / Banquette Seating
Scale: 1/2" = 1'-0"



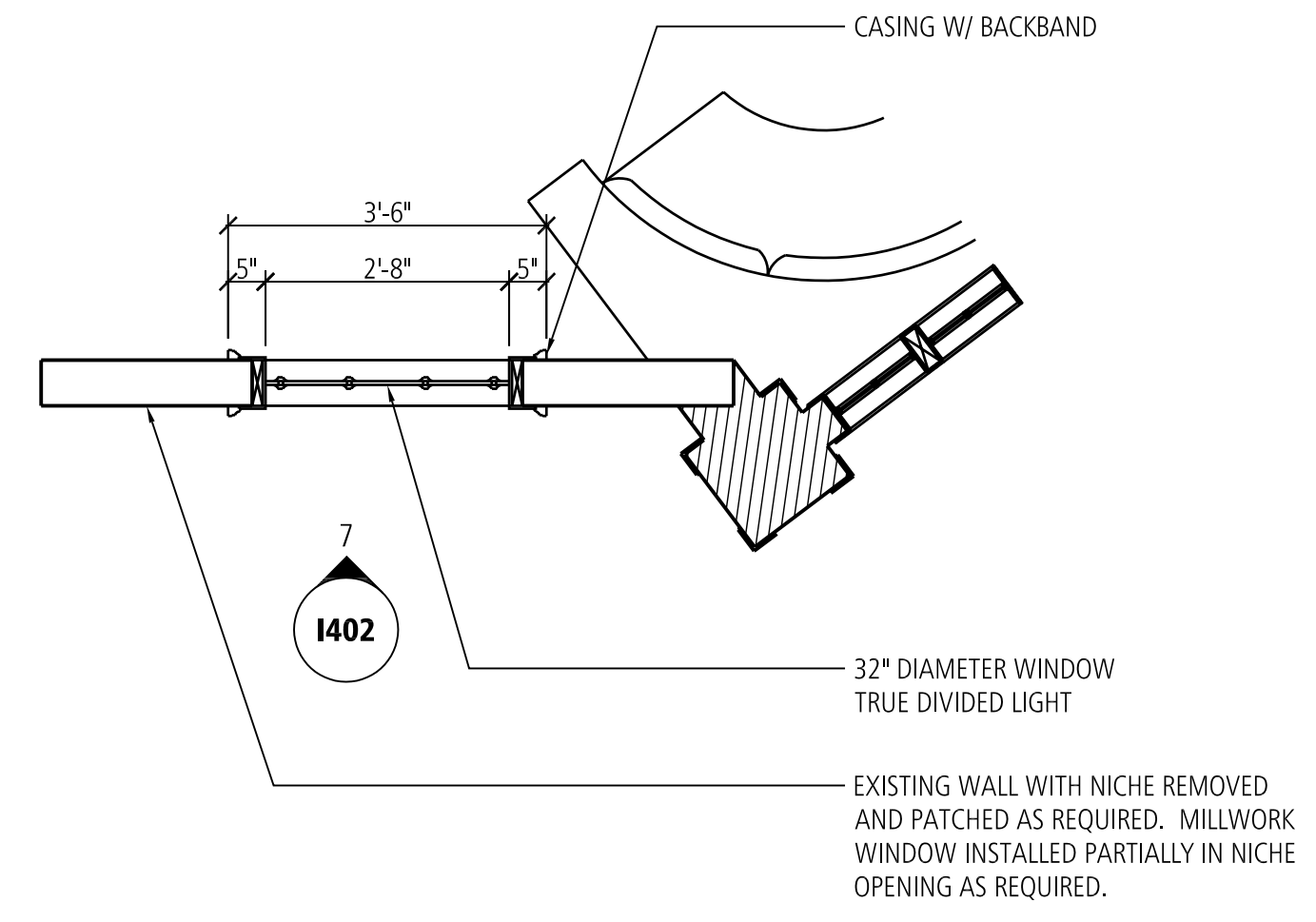
4 MW-4 / Window Wall
Scale: 1/2" = 1'-0"



5 MW-5 / Registration Desk
Scale: 1/2" = 1'-0"



6 MW-6 / Registration Credenza
Scale: 1/2" = 1'-0"



7 MW-7 / Circular Window
Scale: 1/2" = 1'-0"

No.	Description	Date

Portland Harbor Hotel
**Interior Renovation,
Phase I**

Millwork Details

Project number :	1730
Date :	04 January, 2008
Drawn by :	CSH
Checked by :	--
Project Phase :	Construction

I401

Scale : Specific per drawing