

Prepared For:
**HARBOR PLAZA
ASSOCIATES II**

470 FORE ST. SUITE 400
PORTLAND, ME 04101

Consultant:

Architect:
**ARCHETYPE
architects**
48 Union Wharf Portland, Maine 04101
(207) 772-6022 ARCHETYPE@ARCHETYPEPA.COM

Project:
**PORTLAND HARBOR
HOTEL**

468 Fore Street Portland, ME 04101

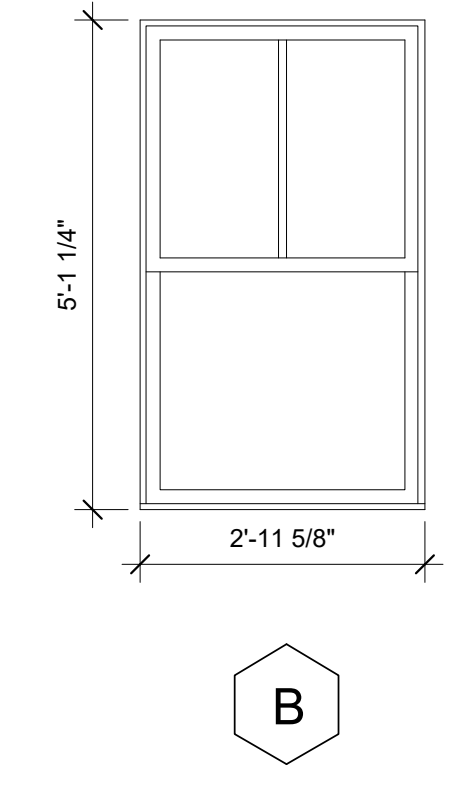
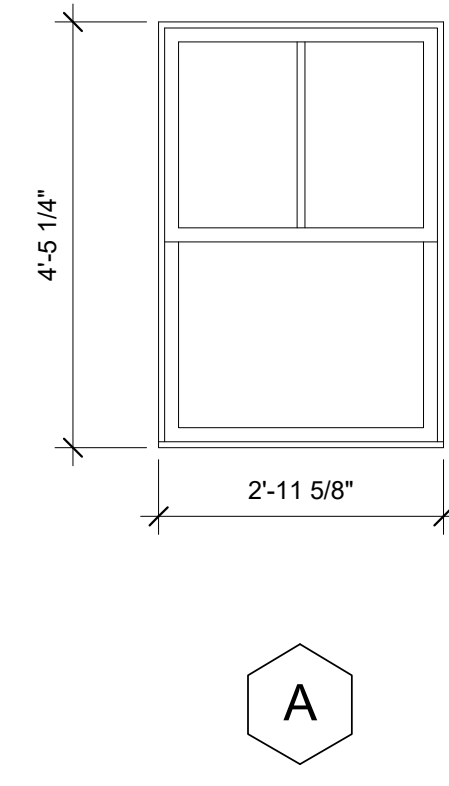
Revisions:

Date: 12 OCT 2016

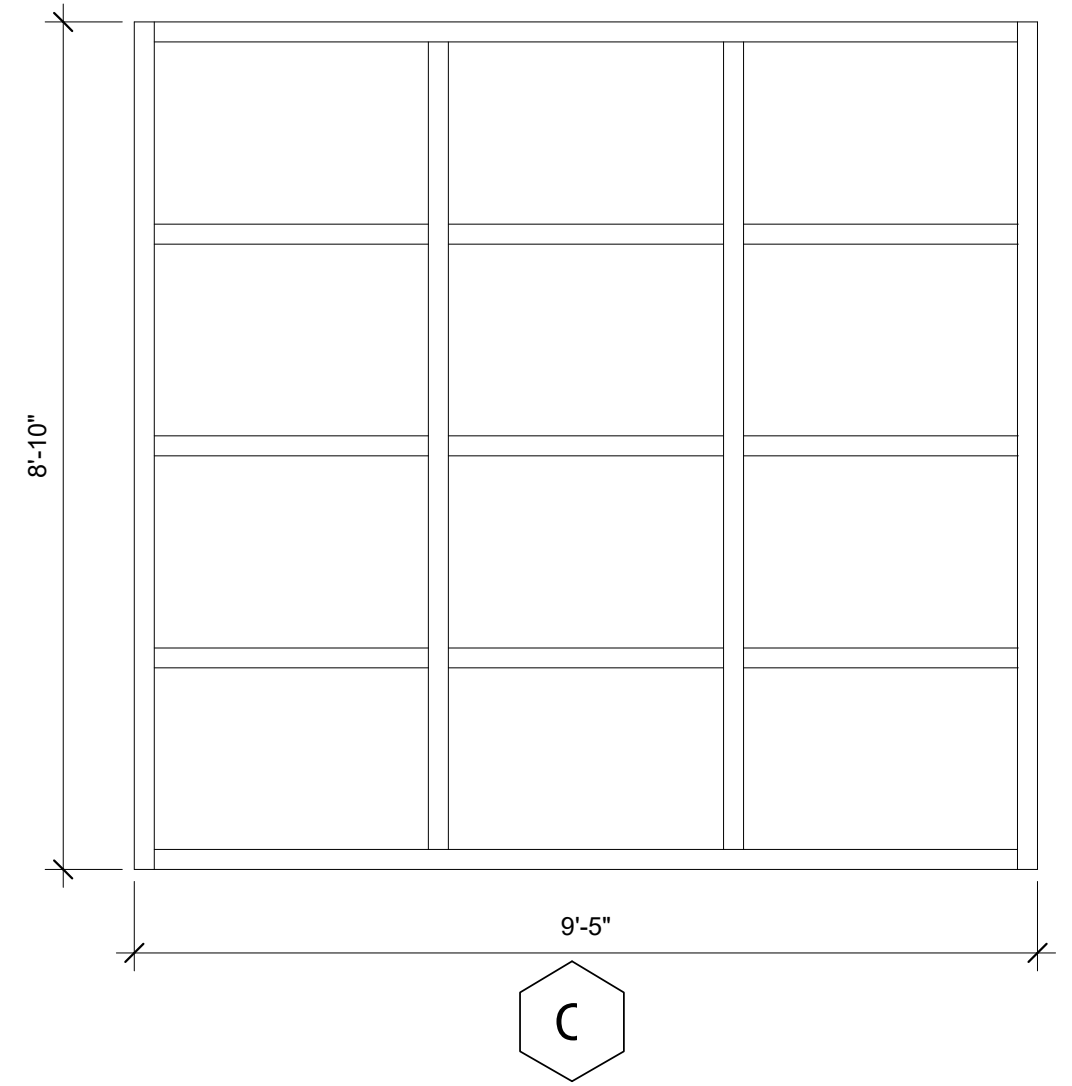
Scale: 1/2" = 1'-0"

WINDOW SCHEDULE

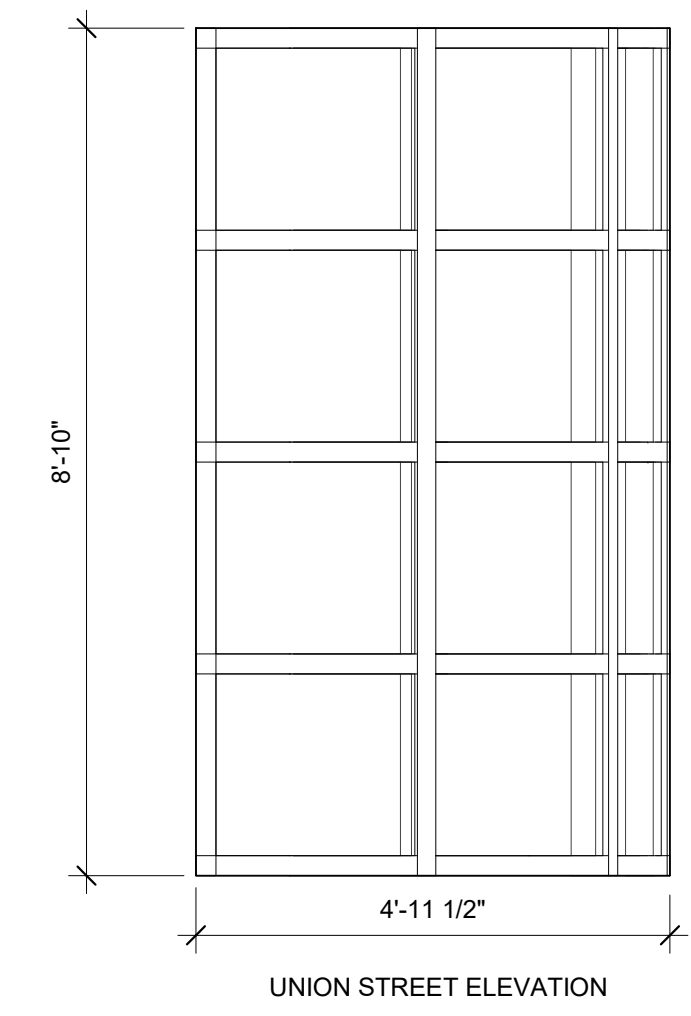
A6.01



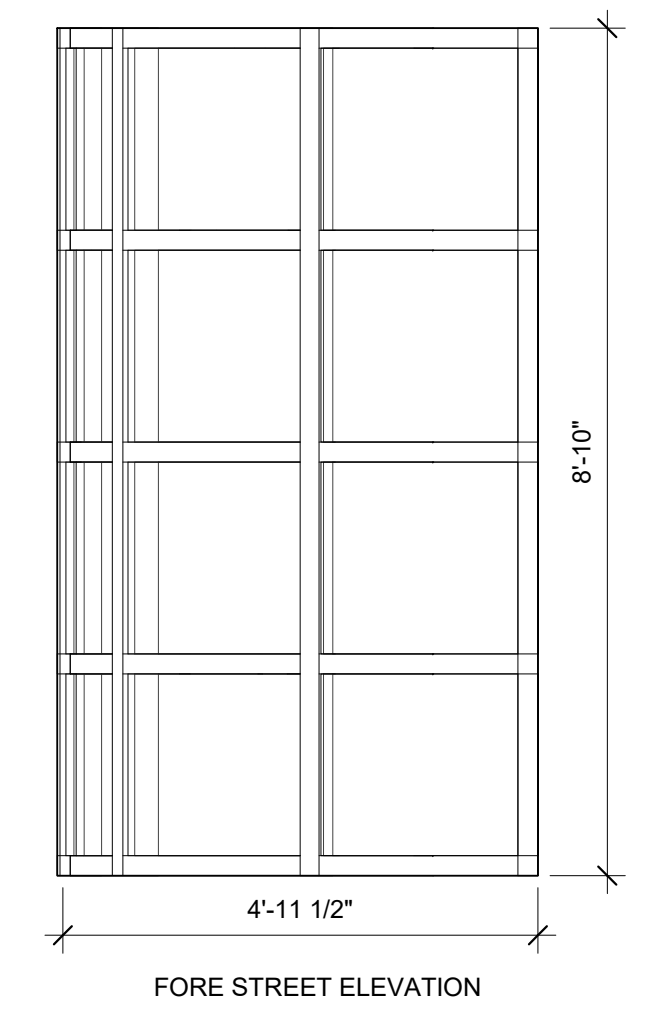
NEW WINDOWS A & B TO MATCH EXISTING



NEW WOOD STOREFRONT SYSTEM



UNION STREET ELEVATION



FORE STREET ELEVATION

NEW WOOD STOREFRONT SYSTEM
WITH CURVED GLASS

1 WINDOW ELEVATIONS
1/2" = 1'-0"