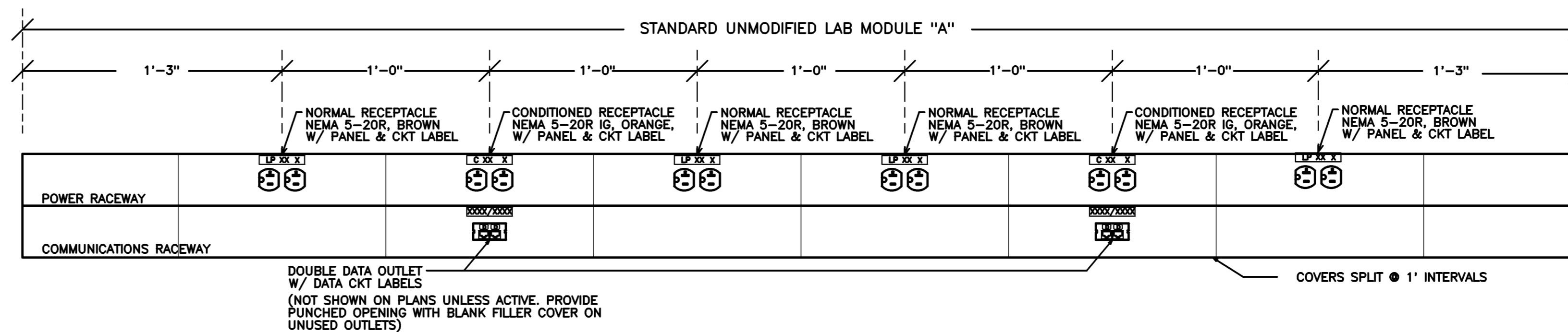


TYPICAL PROVISIONS FOR VOICE/DATA

SCALE: NONE REF: NA

B2



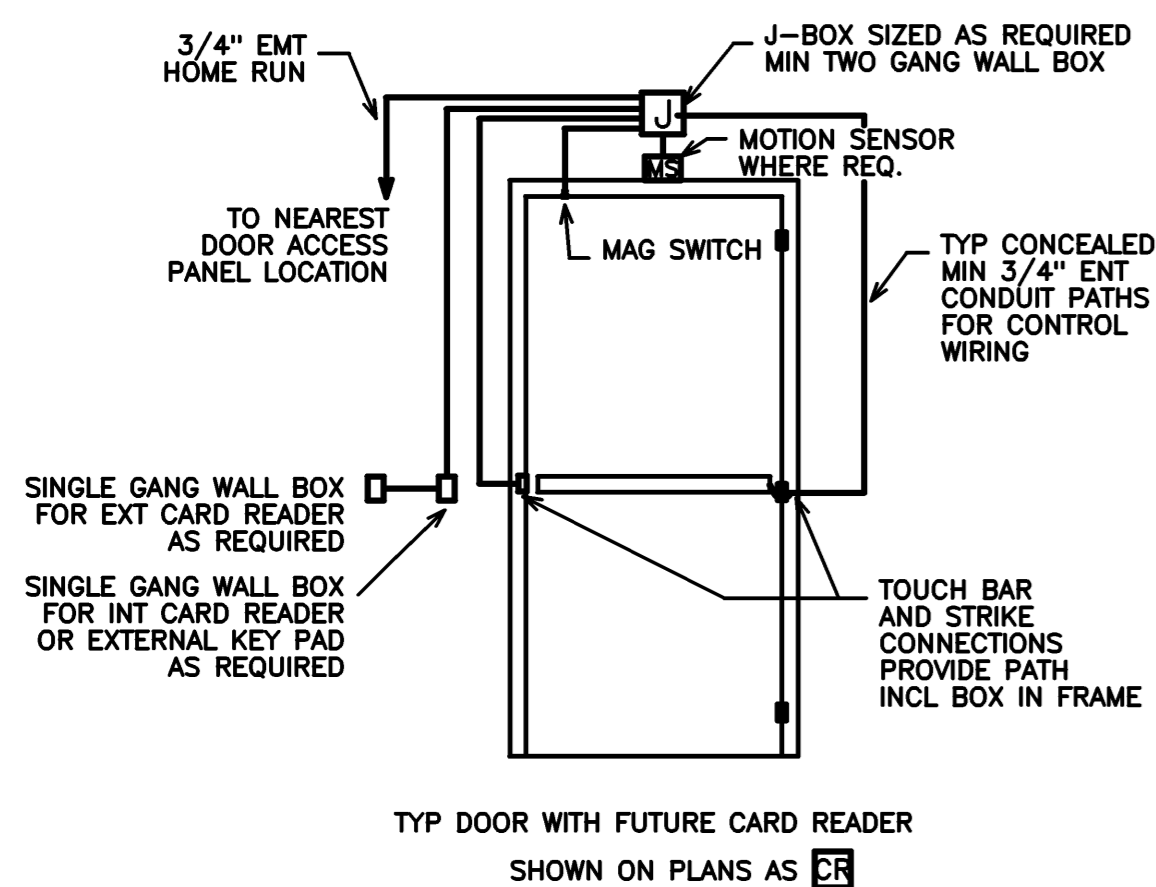
RACEWAY CONFIGURATION NOTES:

1. ALL LABORATORY BENCH TWIN RACEWAY IS CONFIGURED FROM STANDARD MODULE "A" RACEWAY MODIFIED AS REQUIRED BY THE FLOOR PLANS.
2. EXTEND OR TRUNCATE END MODULES TO OBTAIN DESIRED LENGTH AND CONFIGURATION.
3. MODIFY MODULES BY ADDING OR DELETING DEVICES AS REQUIRED BY THE FLOOR PLANS.
4. ALL DEVICES IN RACEWAYS SHALL BE CIRCUITED IN ACCORDANCE WITH THE FLOOR PLANS.
5. PROVIDE GFI RECEPTACLES WITHIN 3'-0" OF SINKS OR WATER. GFI PROTECTION SHALL NOT FEED THROUGH TO OTHER RECEPTACLES.

LAB BENCH RACEWAY STANDARD MODULE A

SCALE: NONE REF: NA

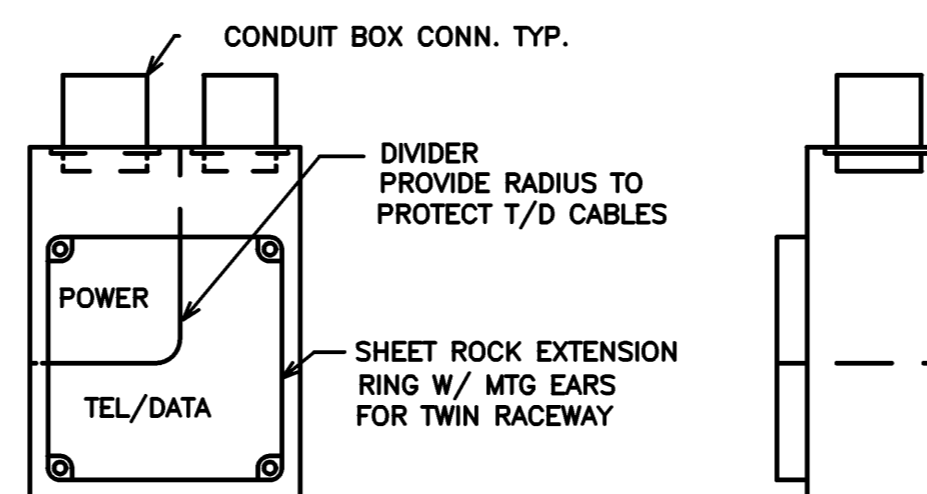
B1



PROVISION FOR OWNER'S CARD ACCESS

SCALE: NONE REF: NA

A3

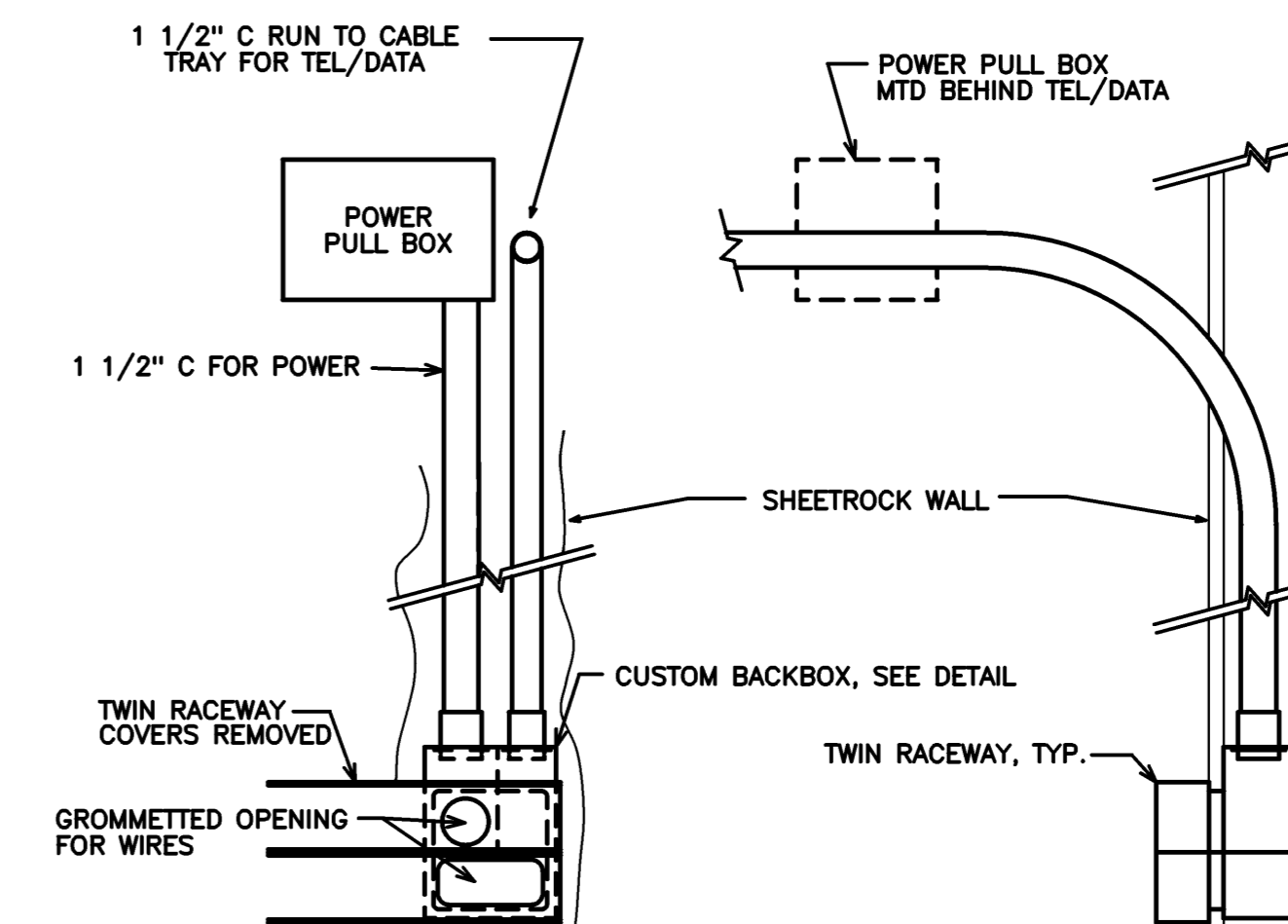


1. PROVIDE LEFT OR RIGHT HAND AS REQUIRED
2. BOX SIZE AND CONFIGURATION BY CONTRACTOR TO MEET SITE AND EQUIPMENT CONDITIONS

CUSTOM TWIN RACEWAY BACK BOX

SCALE: NONE REF: NA

A2

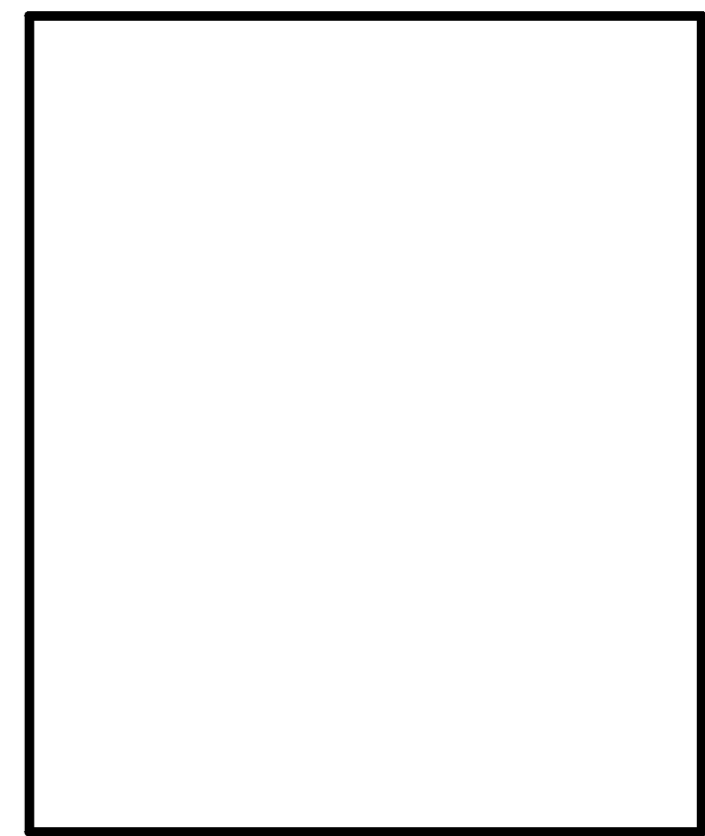


1. PROVIDE LEFT OR RIGHT HAND AS REQUIRED
2. PROVIDE ENTRANCE FOR EACH 15 FEET OF RACEWAY OR PORTION THEREOF.
3. ALL RACEWAYS AND BOXES SHALL BE SUPPORTED PER NEC.
4. CONTRACTOR SHALL COORDINATE EXACT DROP LOCATIONS TO MEET FIELD CONDITIONS. WHEN WINDOWS OR OTHER OBSTRUCTION PROHIBITS VERTICAL DROP, CONTRACTOR SHALL RUN CONDUIT HORIZONTAL THROUGH WALL TO REACH VERTICAL DROP LOCATION. PROVIDE ADDITIONAL STRUCTURAL SUPPORT TO WALL TO ACCOMMODATE.

WALL MOUNTED LAB BENCH ELECTRICAL ENTRANCE DETAIL - CONCEALED CONDUIT

SCALE: NONE REF: NA

A1



Mark	Date	Description
-	11-03-04	ISSUED FOR CONSTRUCTION
-	10-19-04	90% REVIEW

Issue Dates