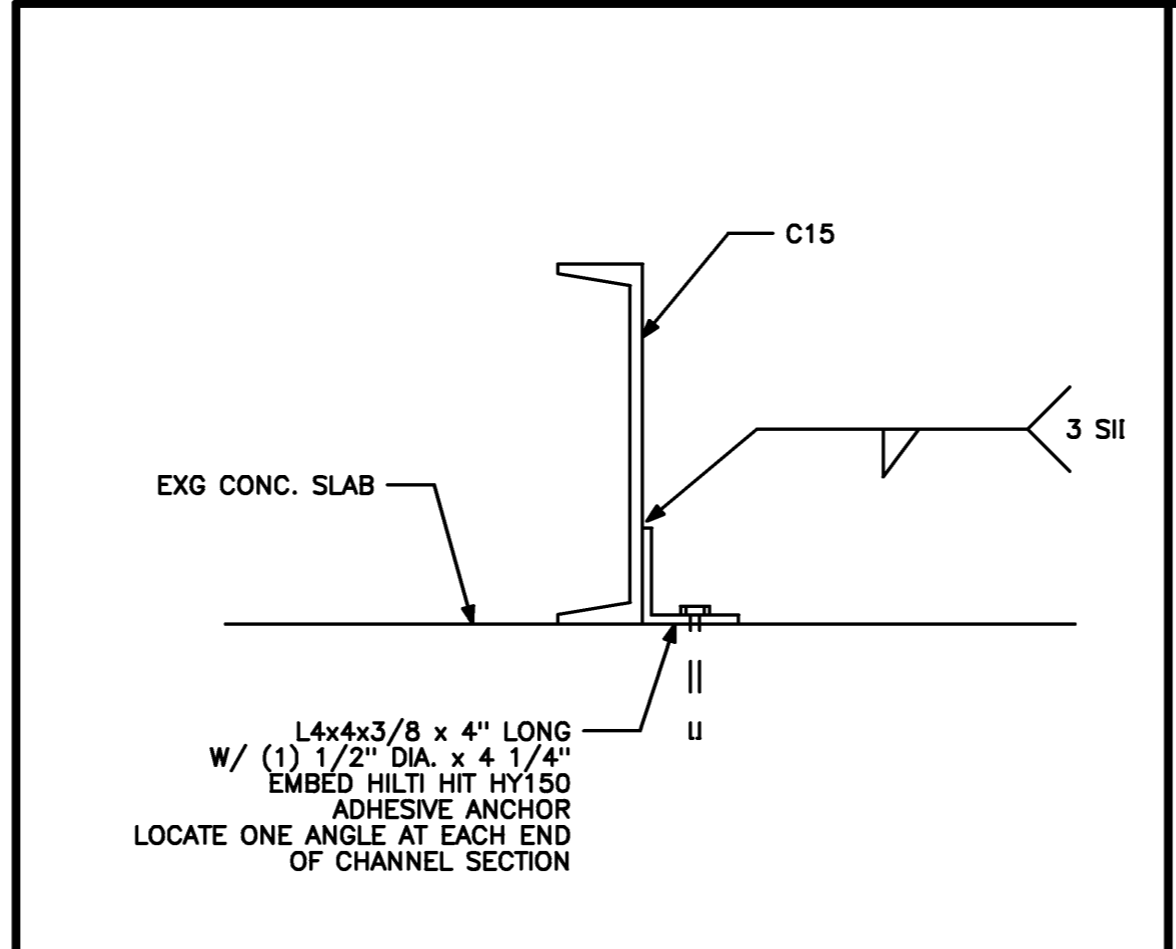


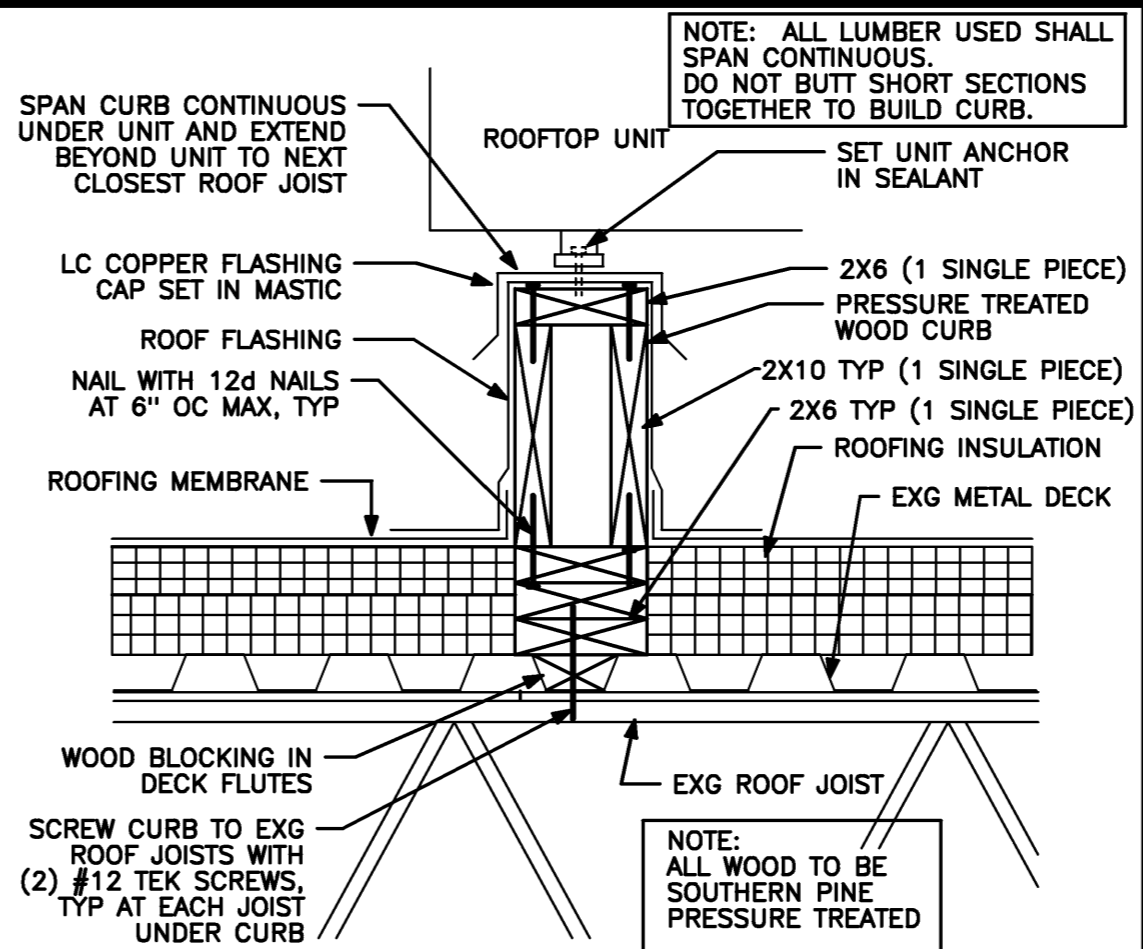
Project Title  
**MEMIC  
 COMPUTER ROOM  
 RELOCATION**  
 PORTLAND, MAINE

HA Project No. **04150**

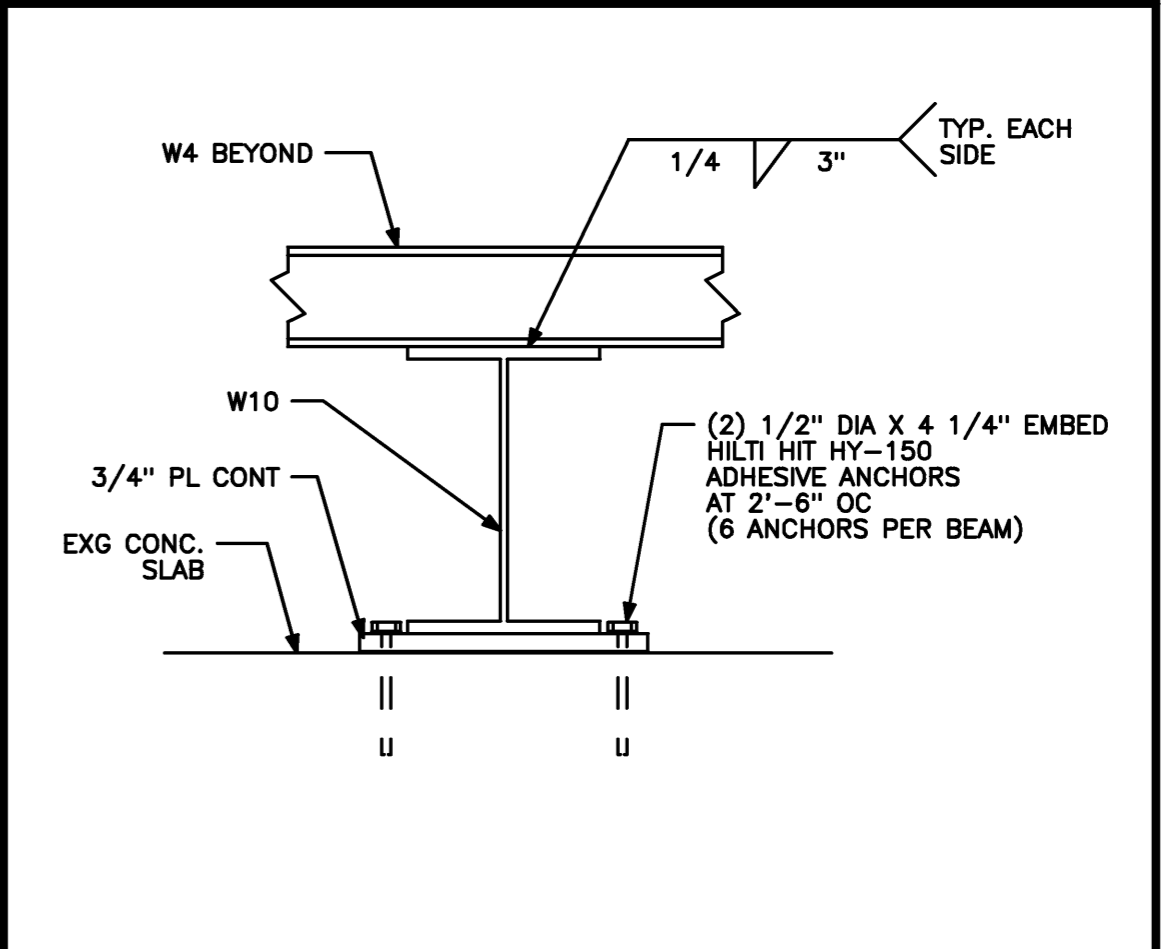
Key Plan



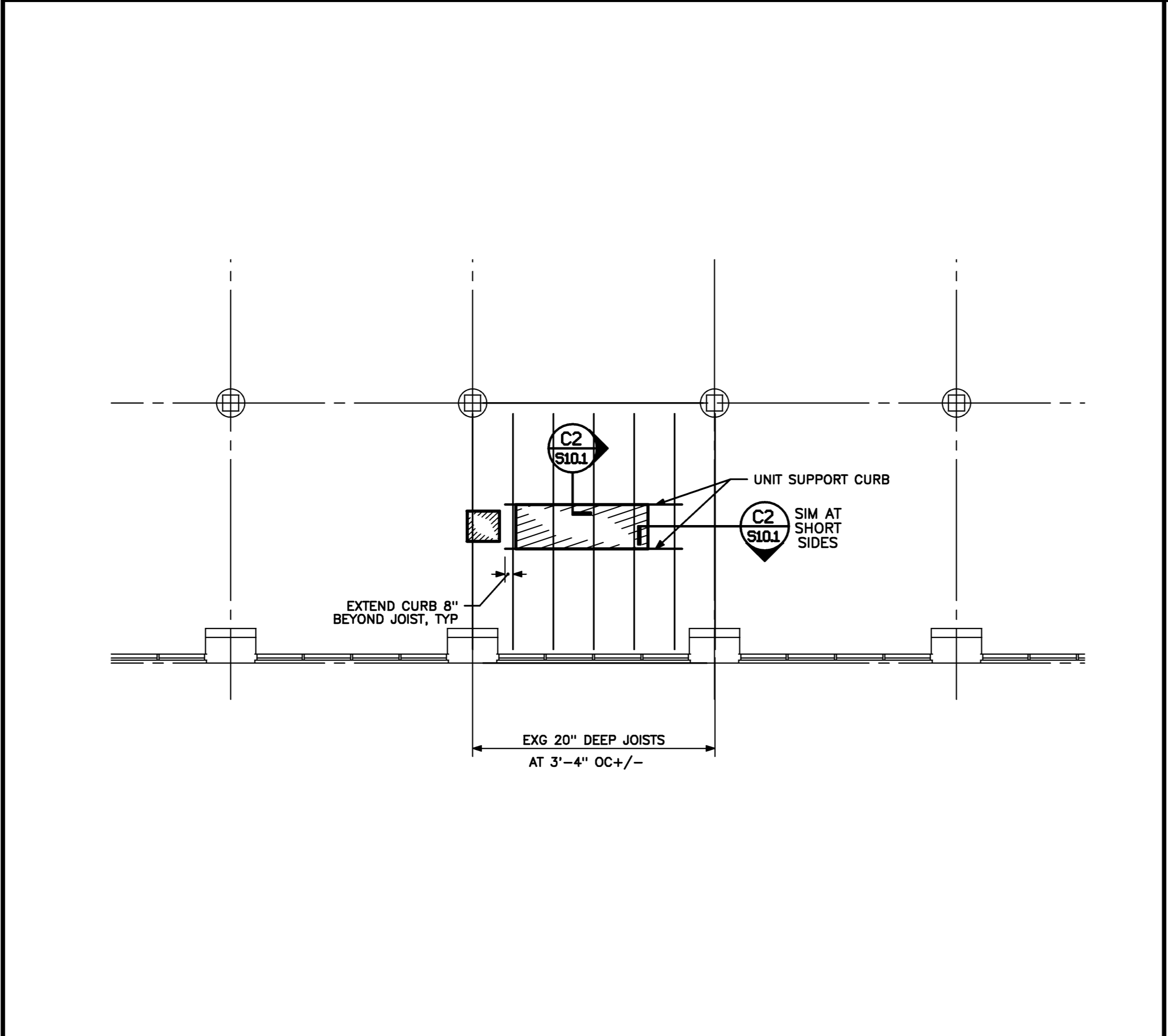
**SECTION C3**  
 1 1/2" = 1'-0" REF: NA



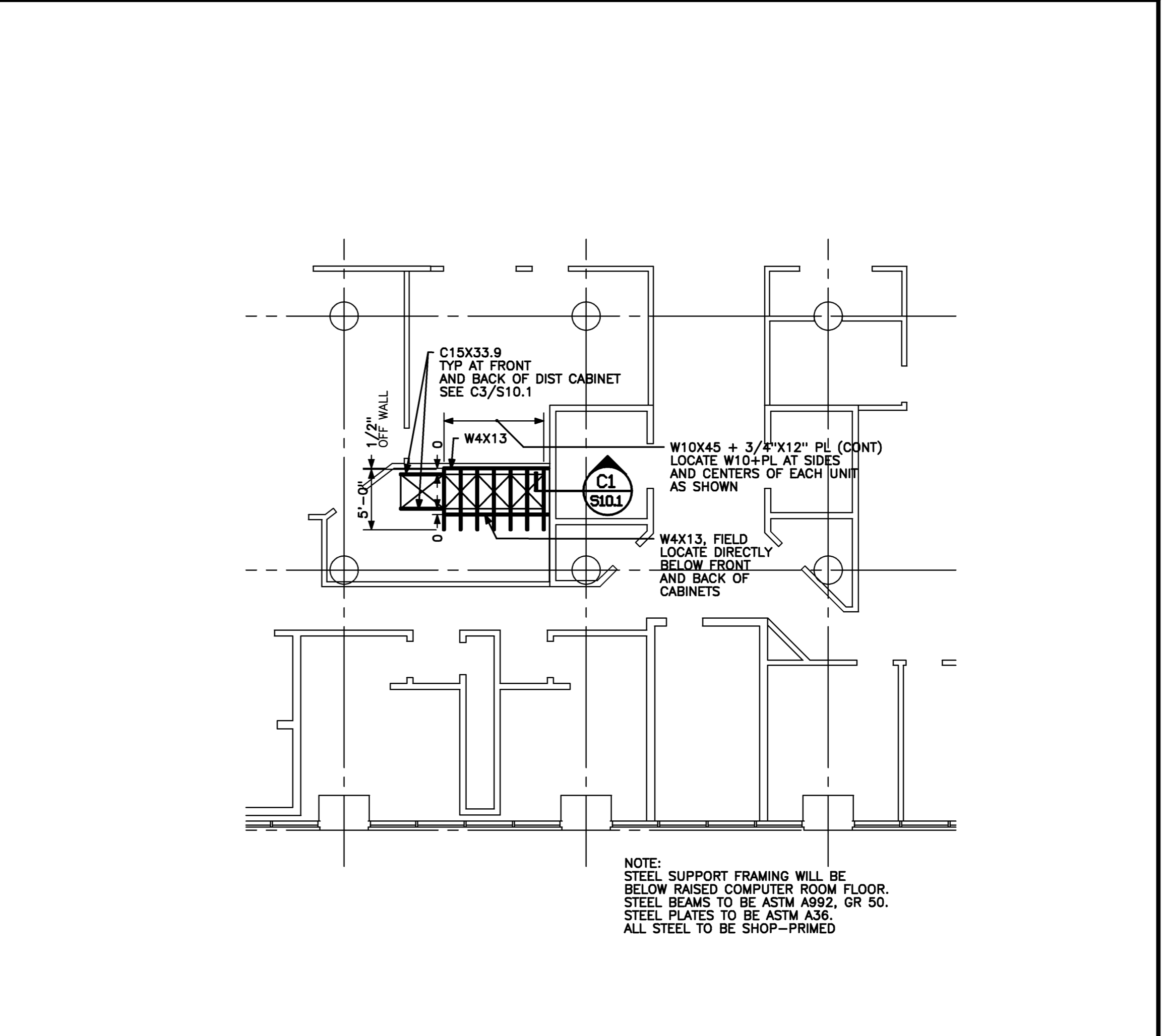
**SECTION C2**  
 1 1/2" = 1'-0" REF: S10.1



**SECTION C1**  
 1 1/2" = 1'-0" REF: S10.1



**ROOF - PART PLAN A3**  
 1/8" = 1'-0" REF: NA



**SECOND FLOOR - PART PLAN A1**  
 1/8" = 1'-0" REF: NA

Mark	Date	Description
-	11-03-04	ISSUED FOR CONSTRUCTION
-	10-19-04	90% REVIEW
-	10-01-04	DD REVIEW

Drawing Status

Drawing Title  
**STRUCTURAL  
 PLANS AND DETAILS**

PA / PE: **JCF** Drawn By: **SJF**

Drawing Number

**S10.1**