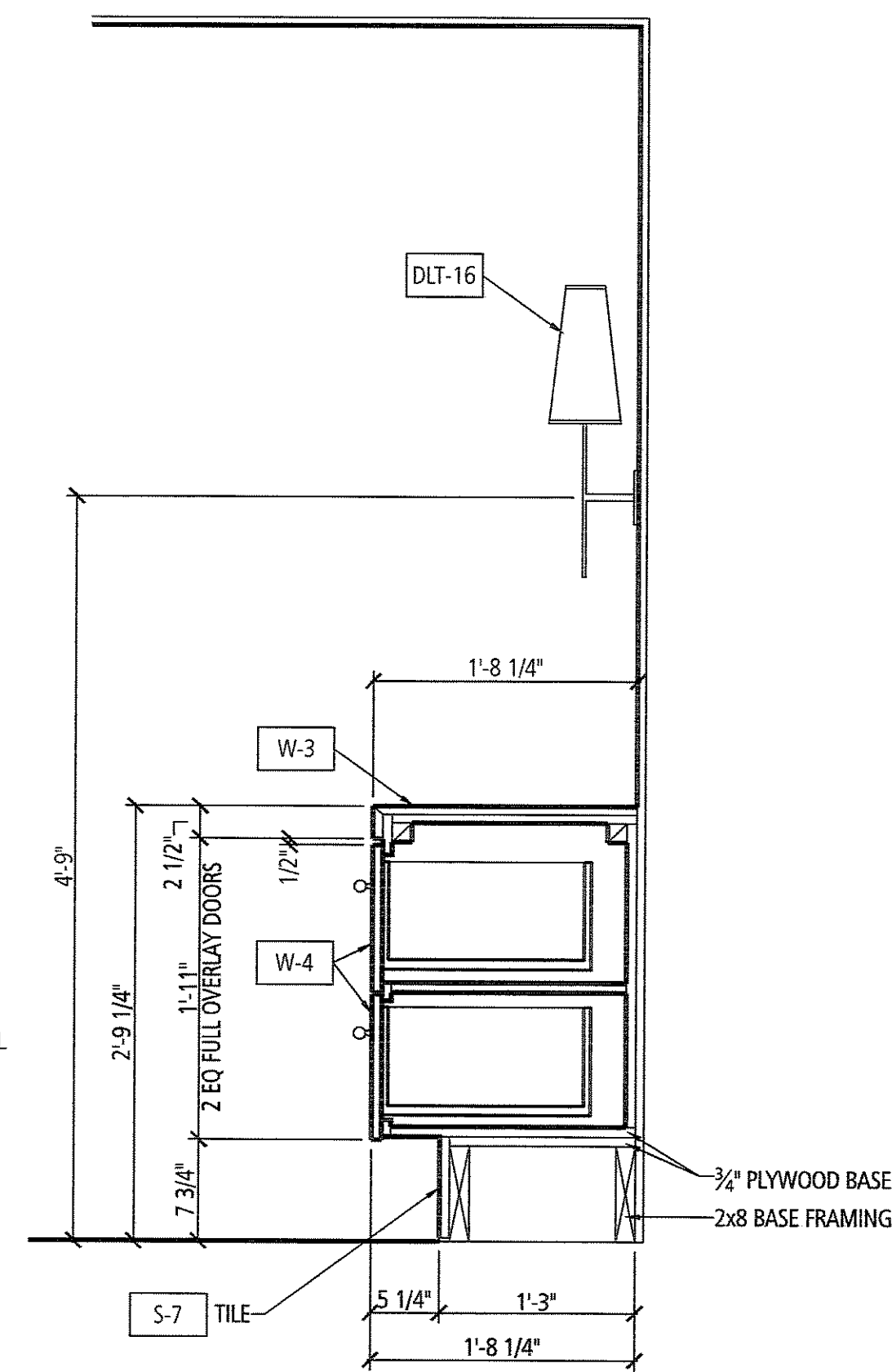
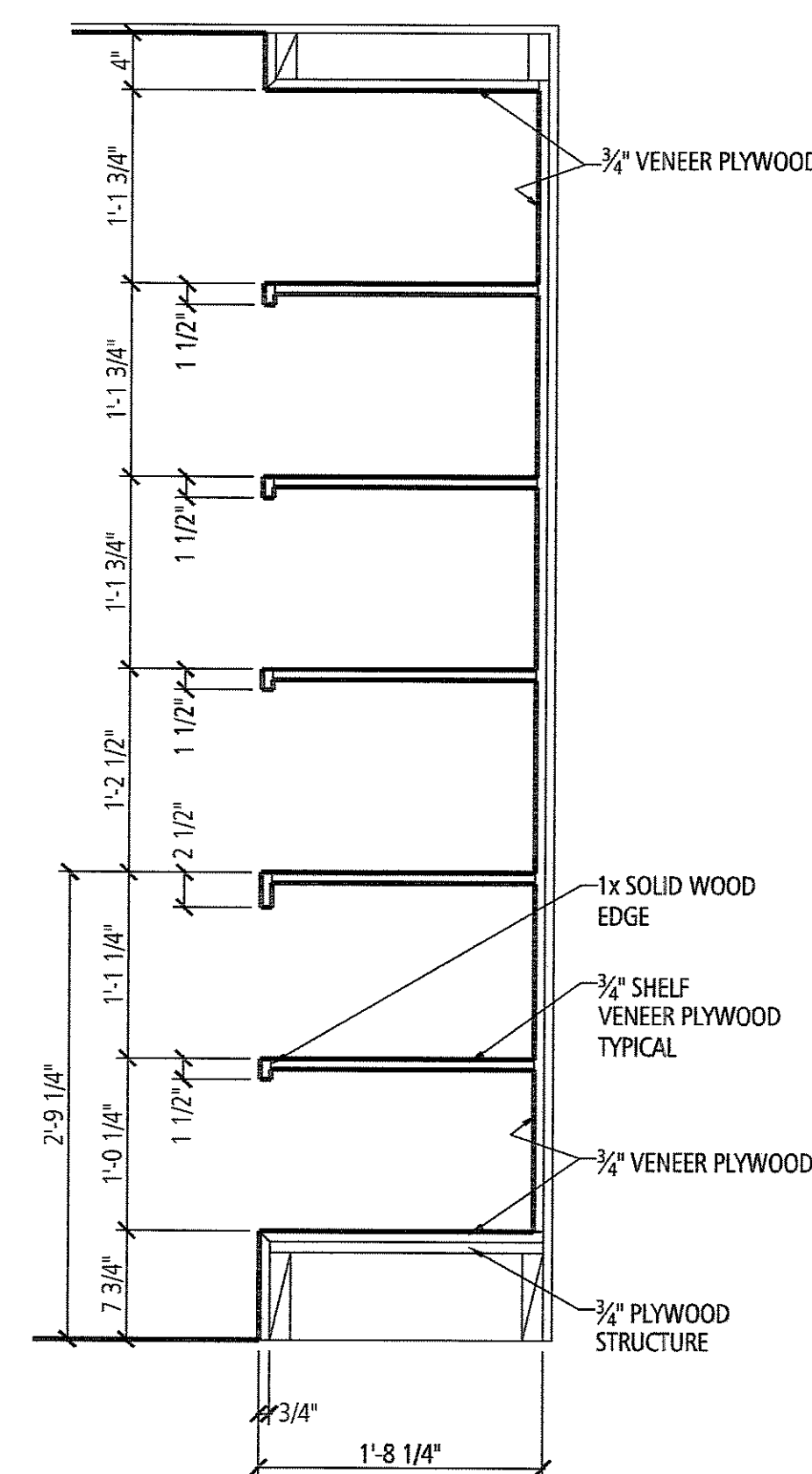


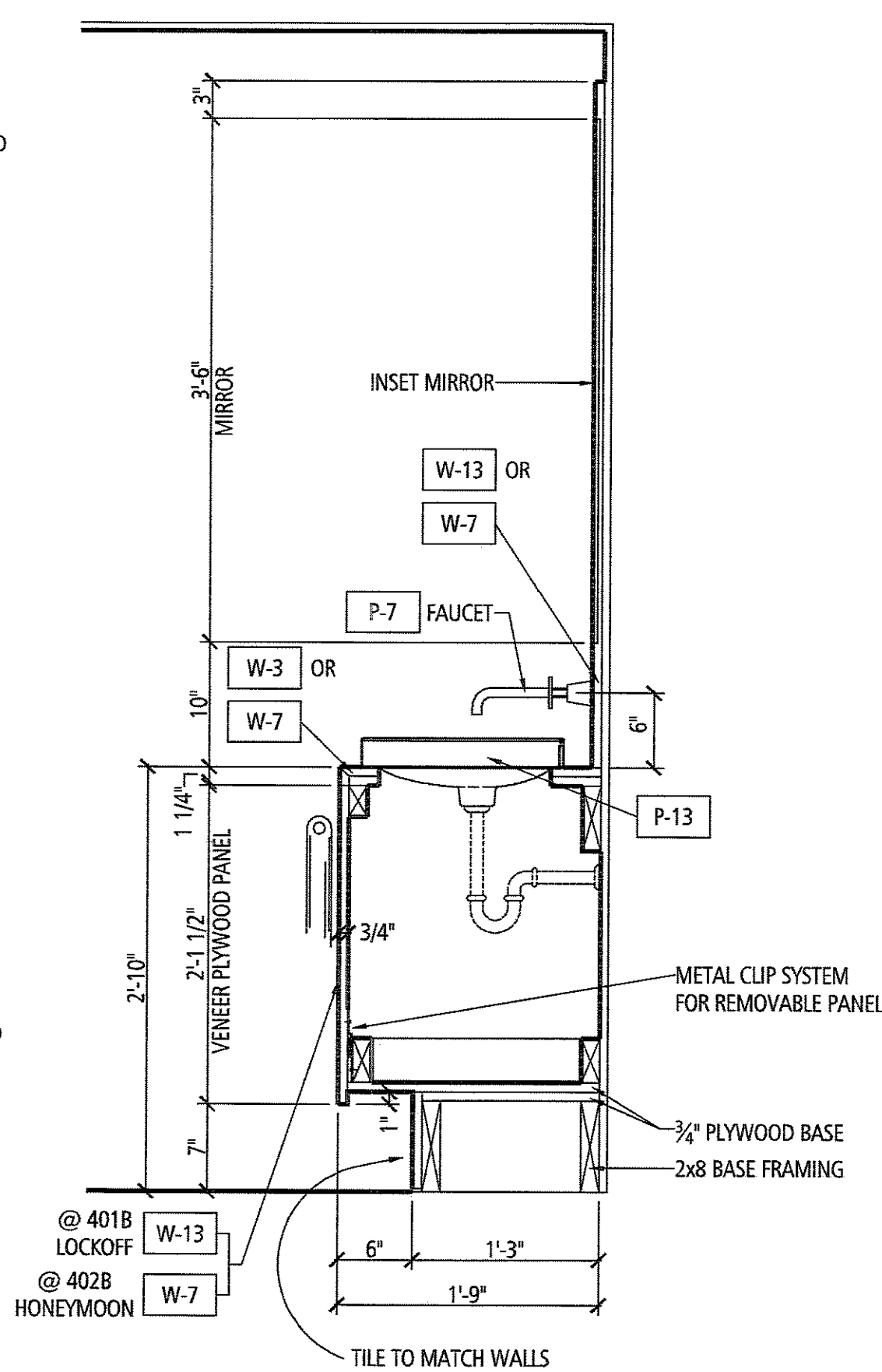
1 Executive Suite
Section at MW-14 Bathroom Vanity
Scale: 1" = 1'-0"



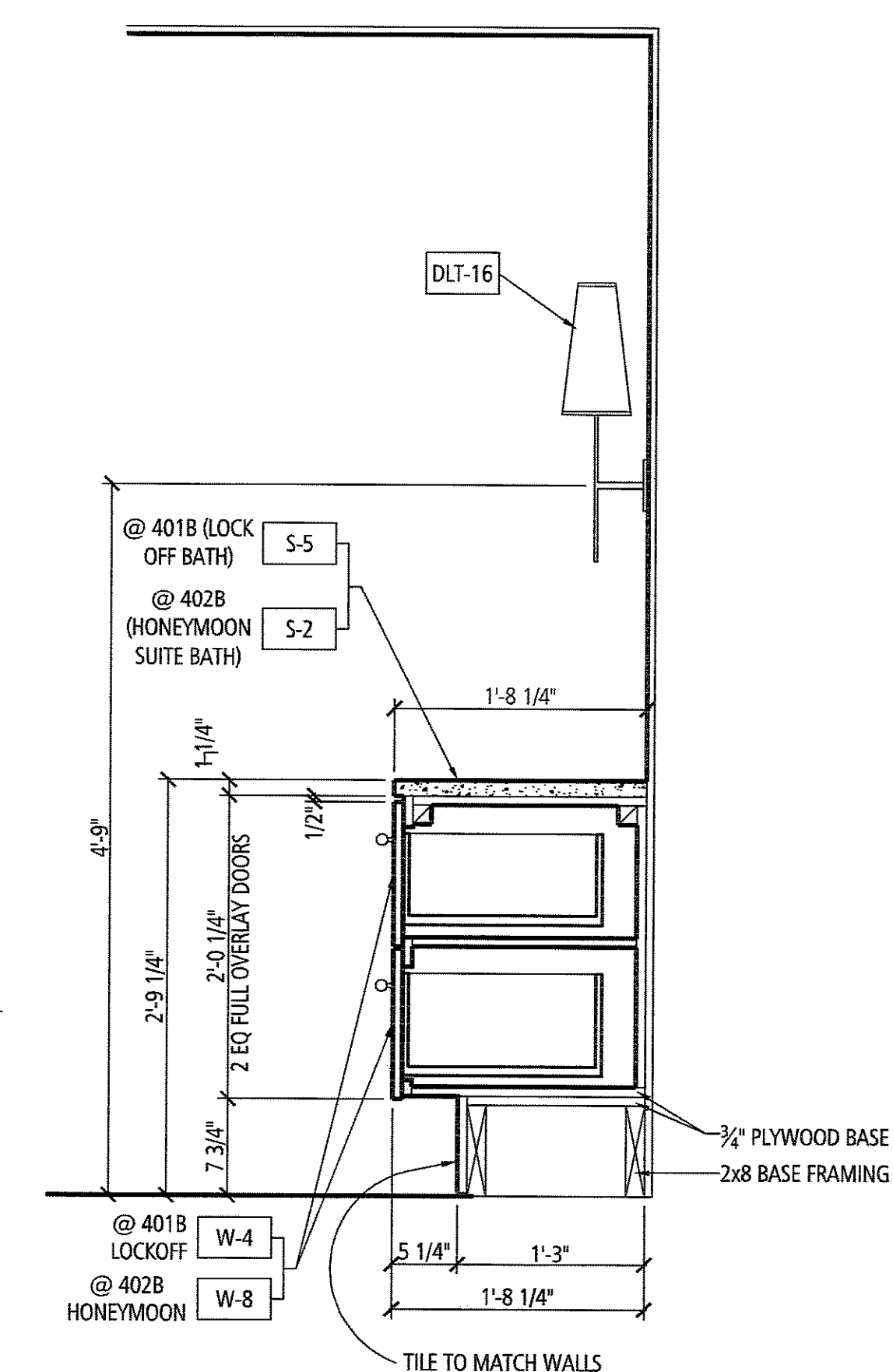
2 Executive Suite
Section at MW-14 Bathroom Vanity
Scale: 1" = 1'-0"



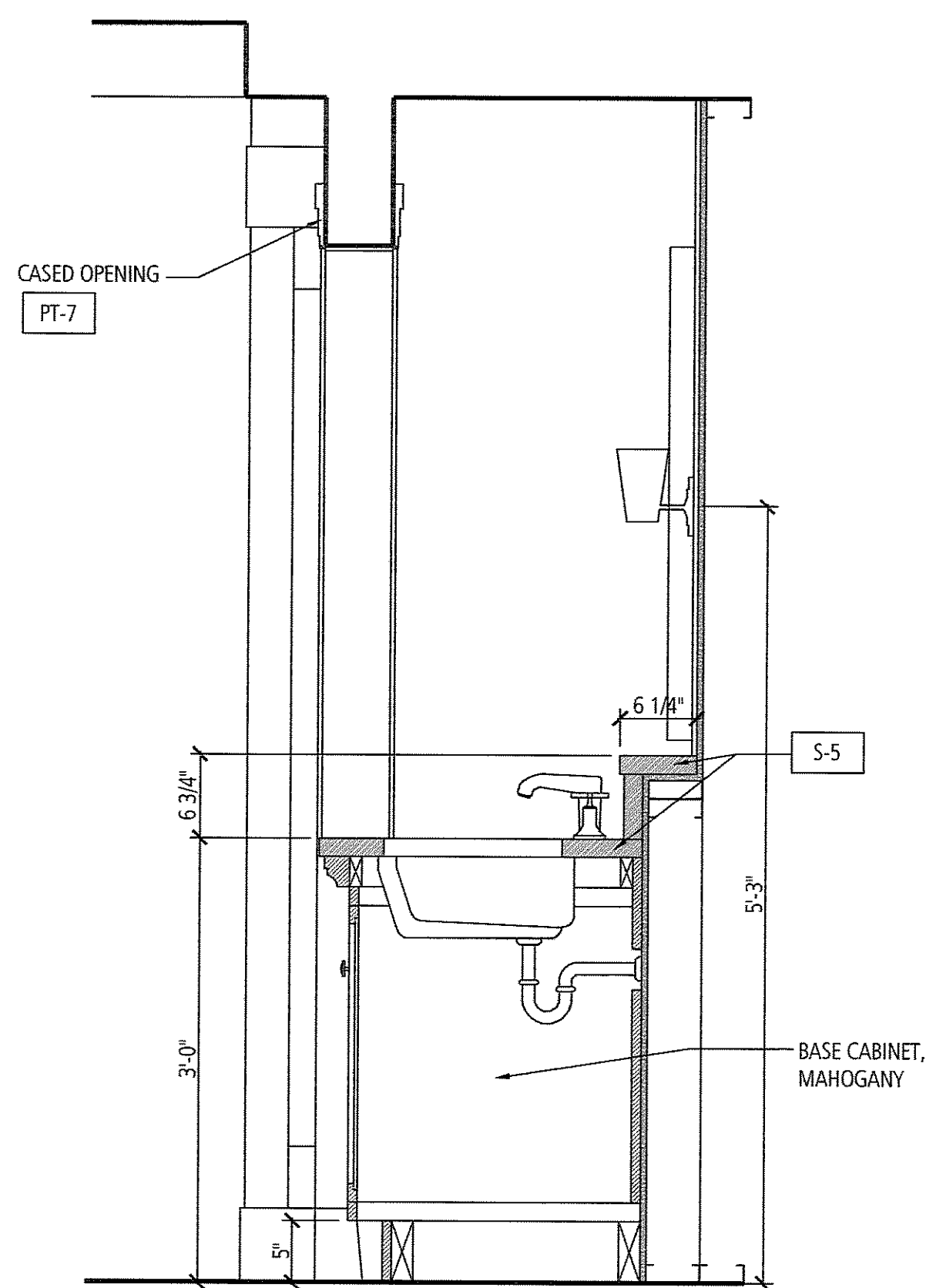
3 Executive Suite
Section at MW-14 Bathroom Vanity
Scale: 1" = 1'-0"



4 Lockoff & Honeymoon Suite
Section at MW-16 Bathroom Vanity
Scale: 1" = 1'-0"



5 Lockoff & Honeymoon Suite
Section at MW-16 Bathroom Vanity
Scale: 1" = 1'-0"



6 Section at MW-25 Vanity
Scale: 1" = 1'-0"

Drawing Submission

Description	Date
95% CD SET	05 Feb, 2008

Portland Harbor Hotel
**Renovation & Addition,
Phase II**

Millwork Elevations & Details

Project number :	1730.00
Date :	05 February, 2008
Drawn by :	MB
Checked by :	--
Project Phase :	-

1404

Scale : 1" = 1'-0"