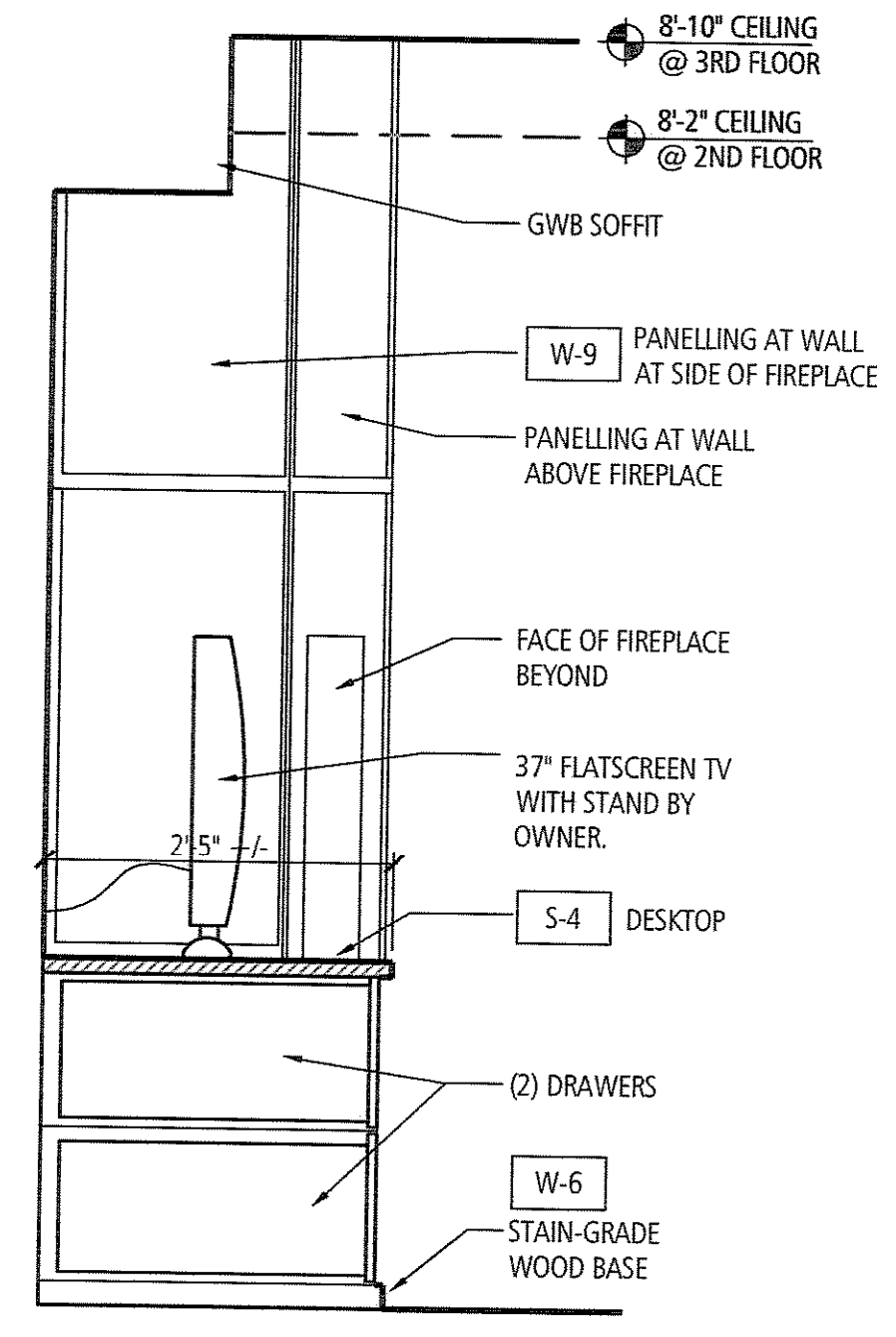
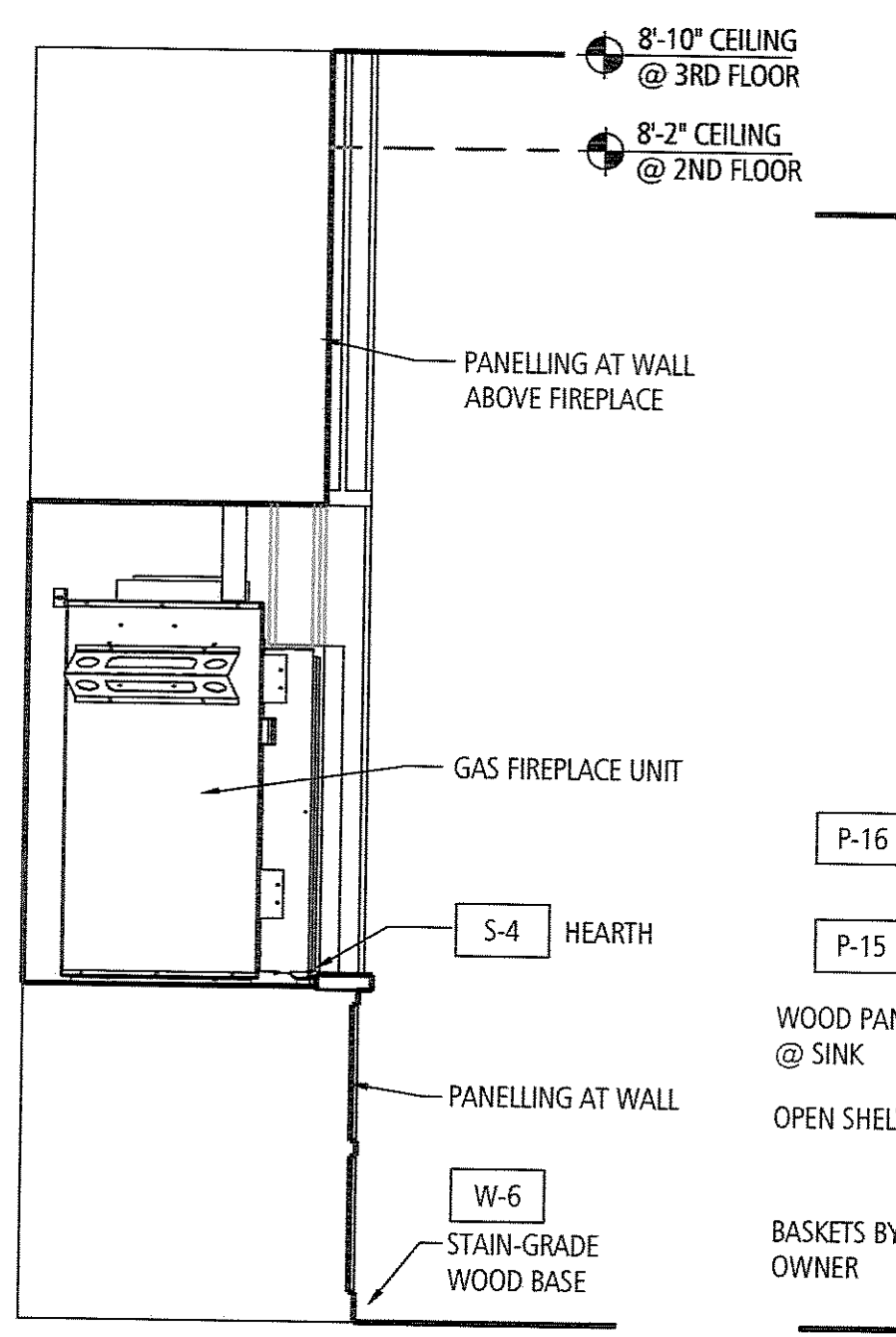


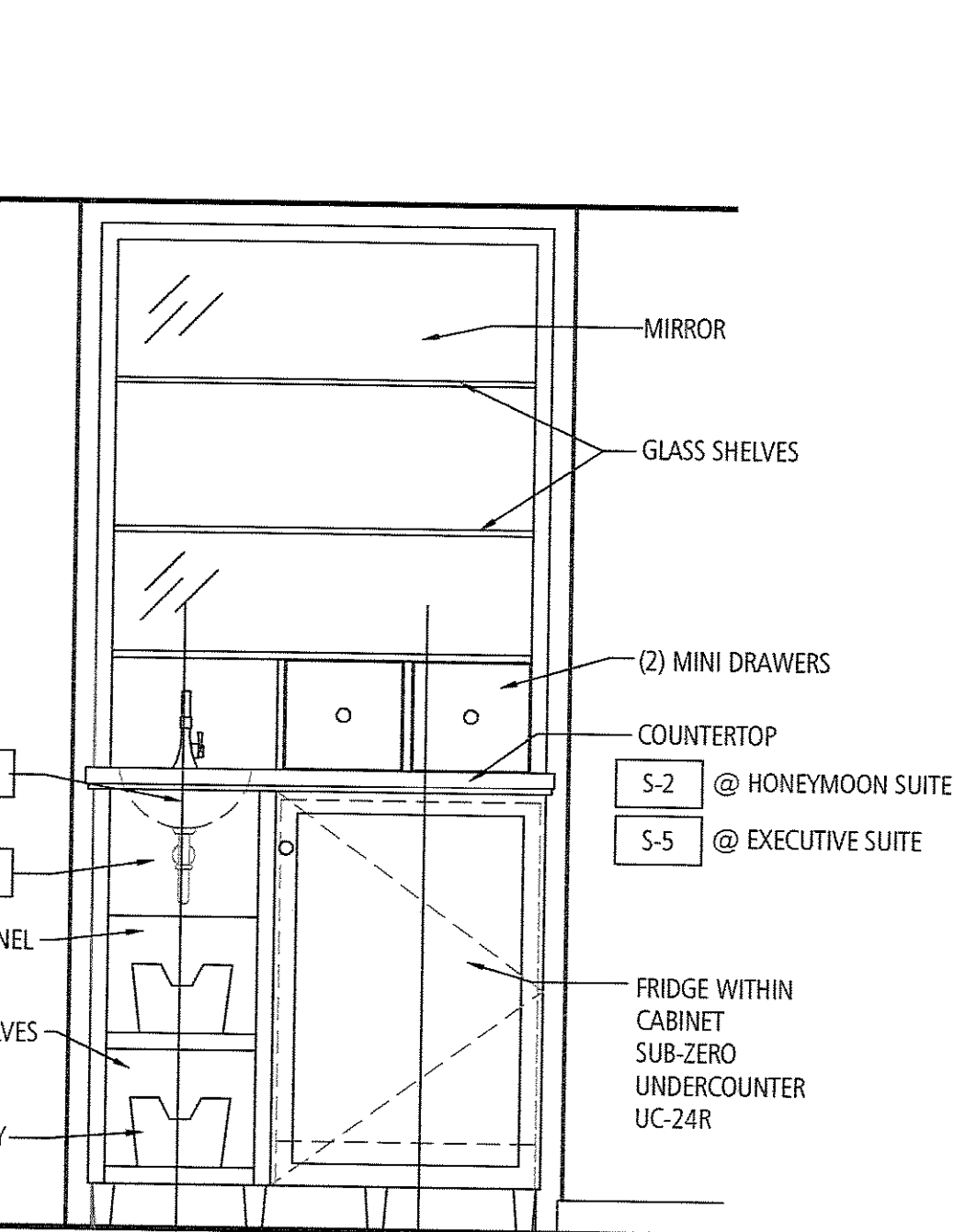
**1** MW-19 Fireplace/Desk Plan at Honeymoon Suites  
Scale: 3/4" = 1'-0"



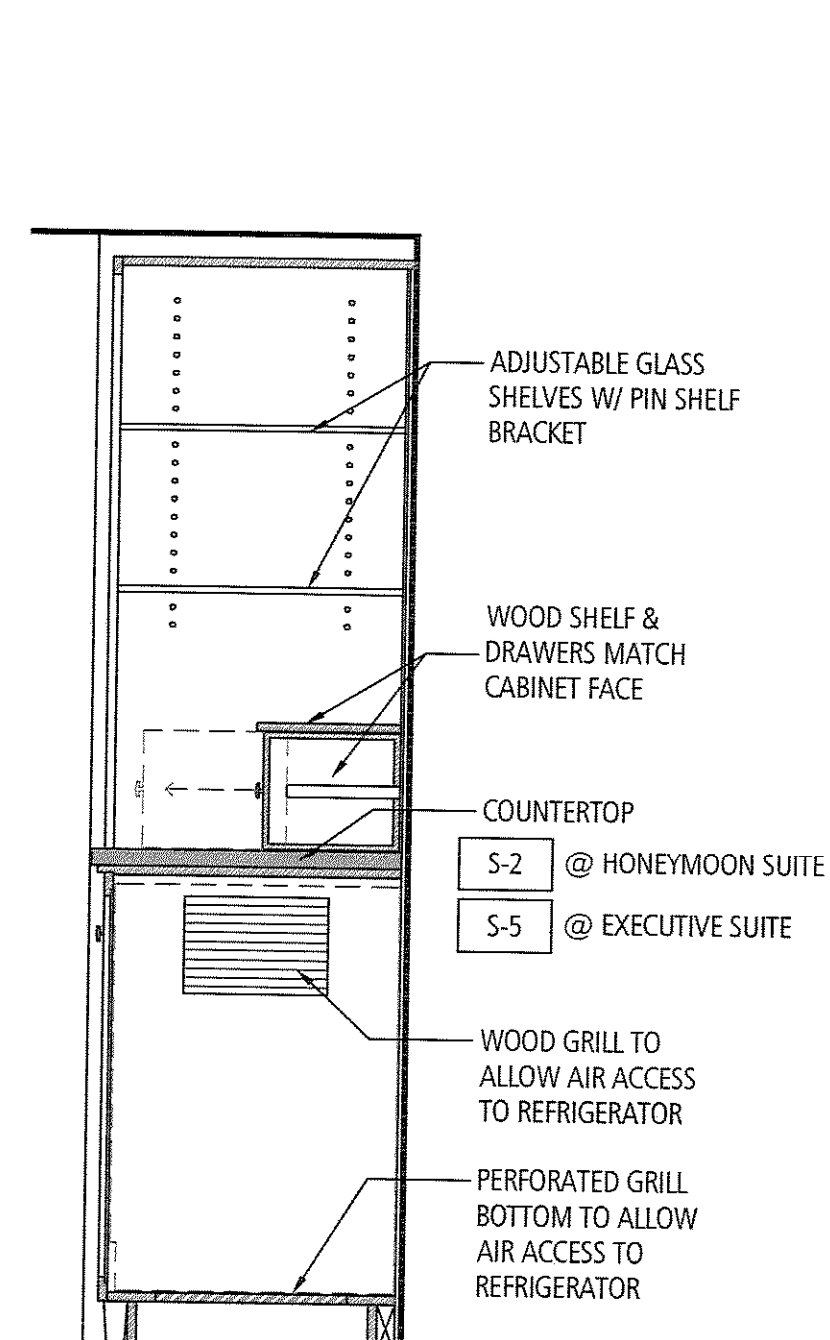
**2** Section at Honeymoon Suite Desk  
Scale: 3/4" = 1'-0"



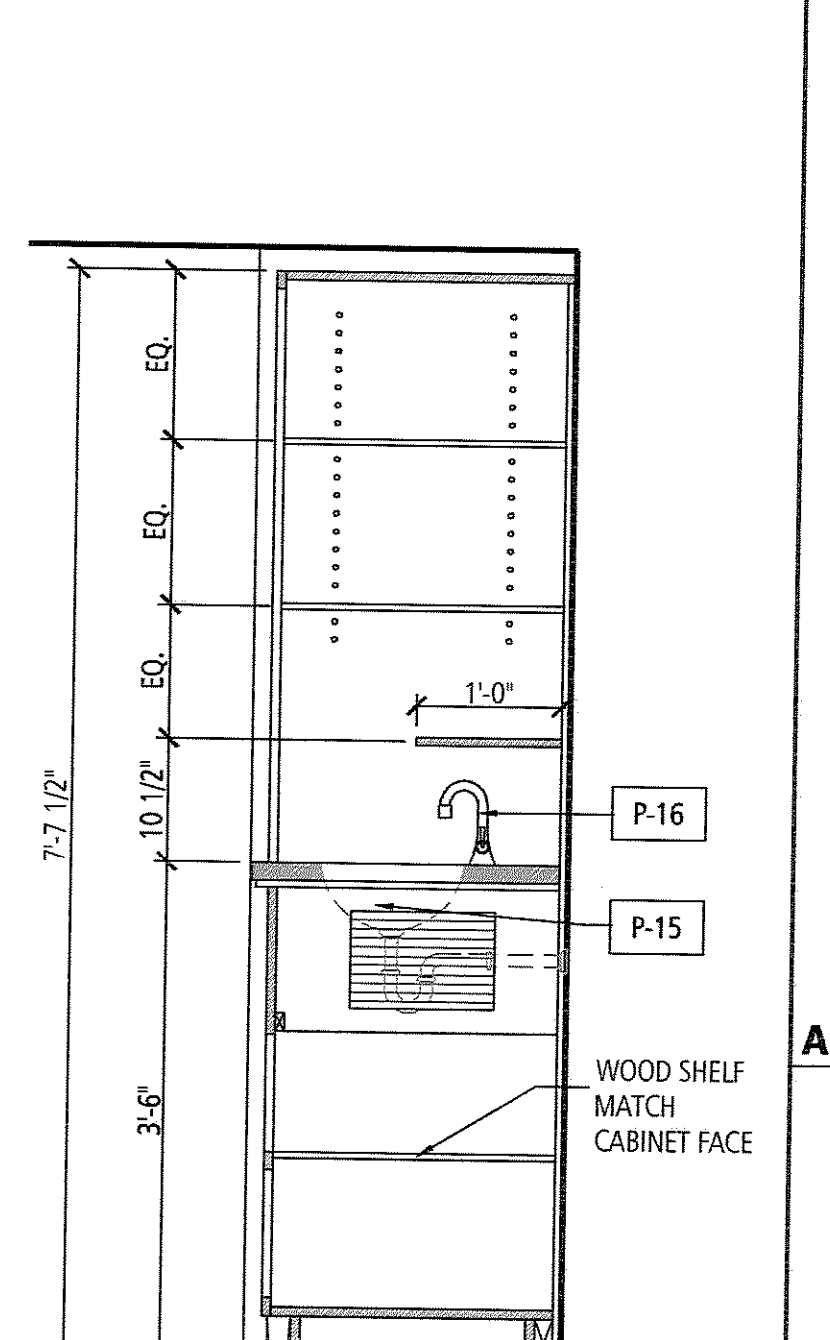
**3** Section at Honeymoon Suite Fireplace  
Scale: 3/4" = 1'-0"



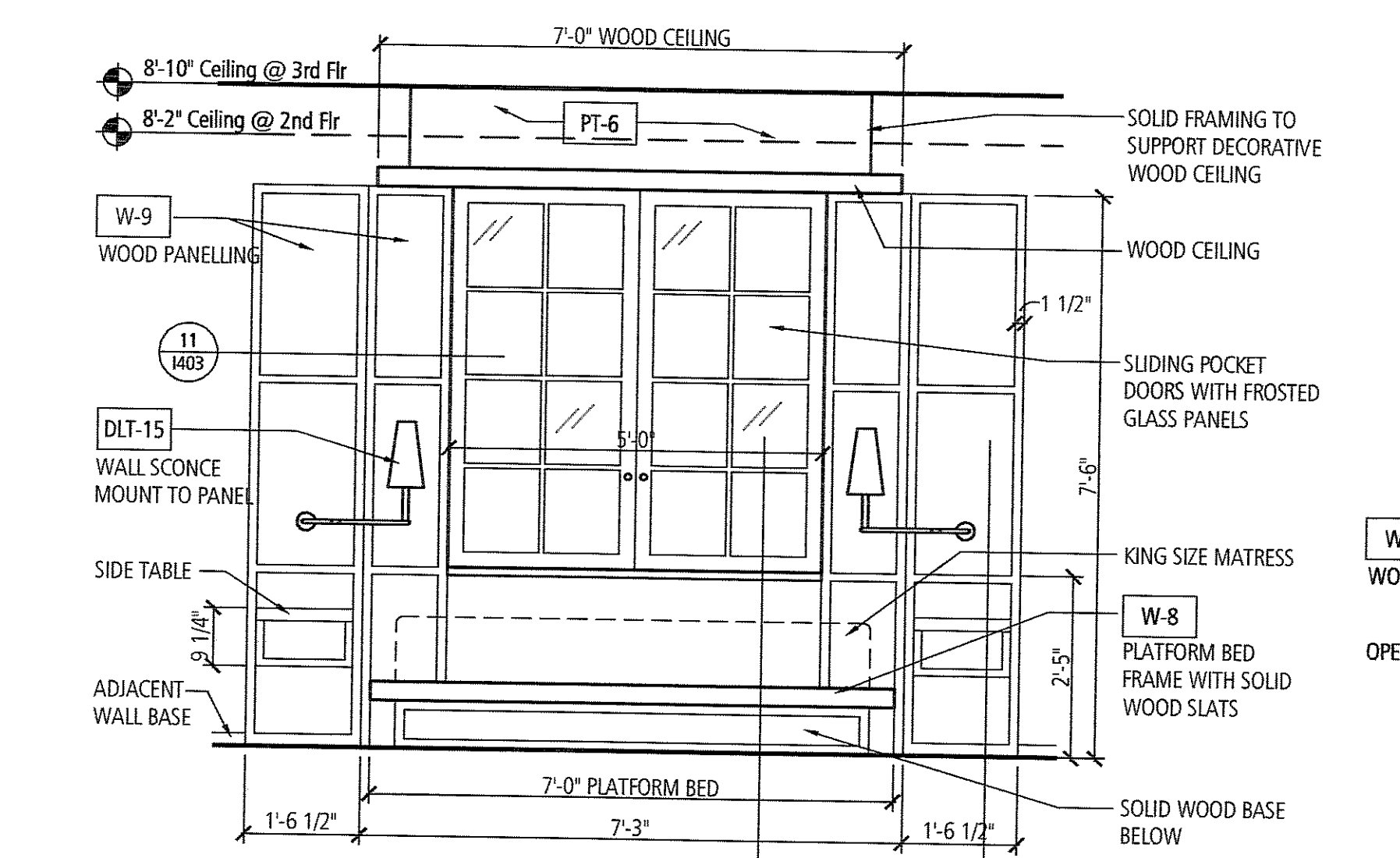
**4** Elevation at Wetbar MW-15  
Scale: 3/4" = 1'-0"



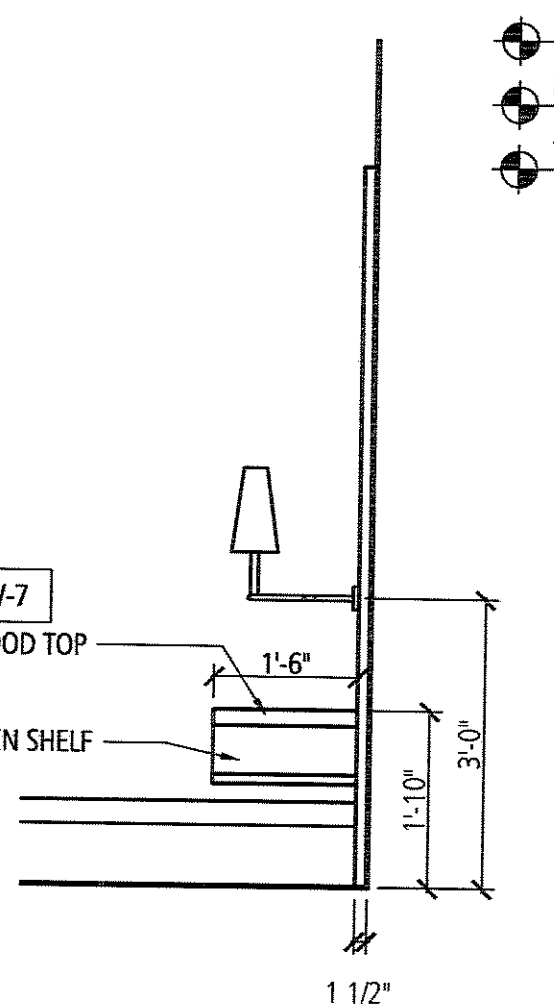
**5** Section at Wetbar MW-15  
Scale: 3/4" = 1'-0"



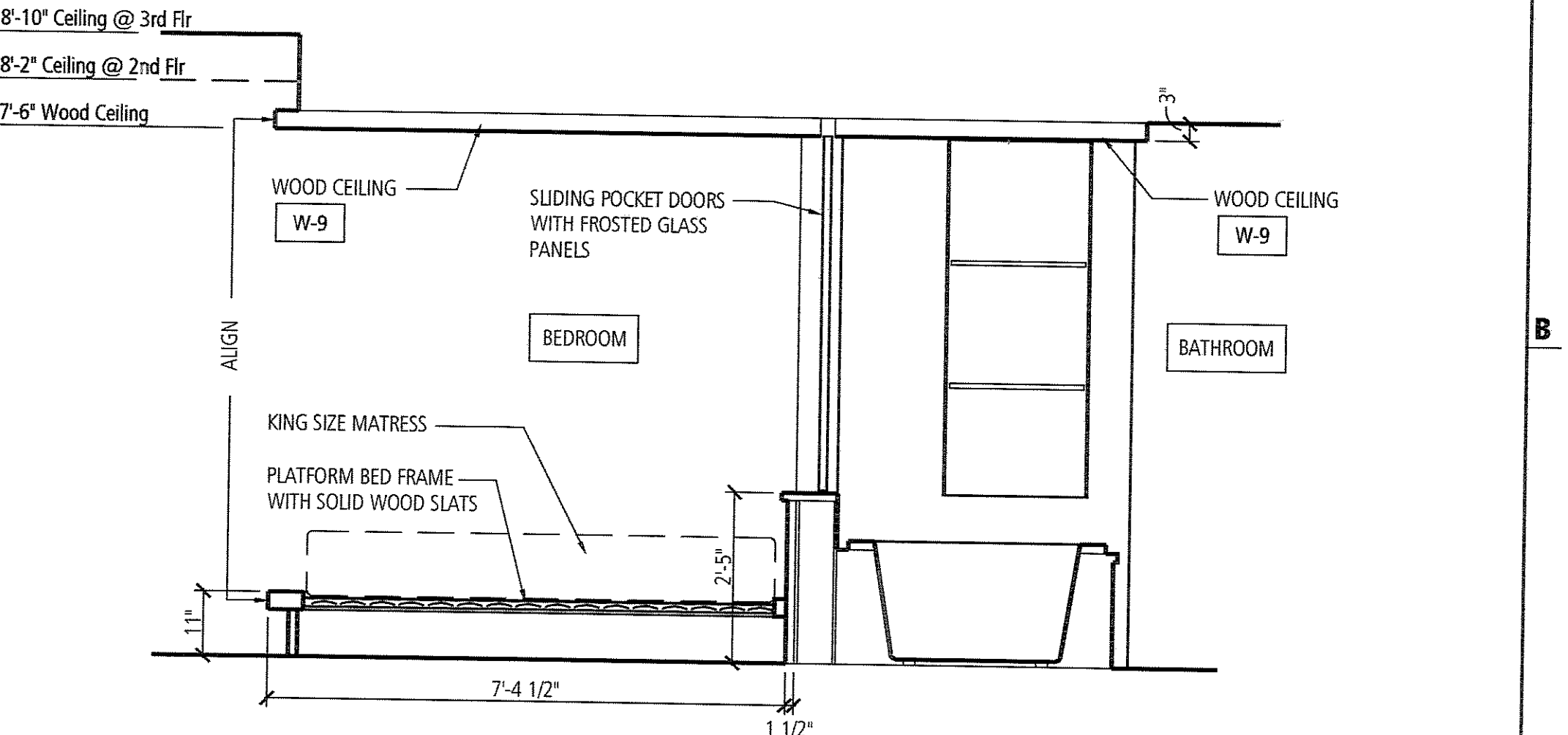
**15** Section at Wetbar MW-15  
Scale: 3/4" = 1'-0"



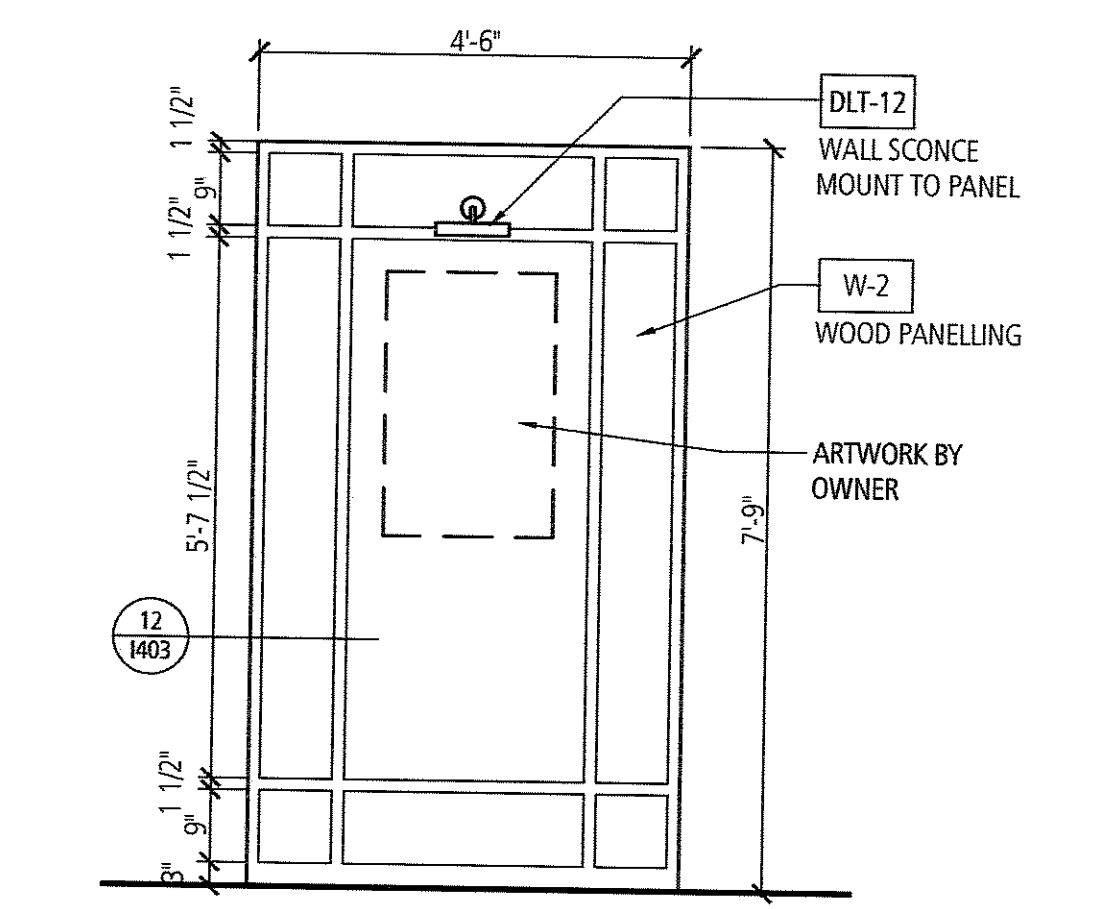
**6** Elevation, MW-18 Bed and Wood Ceiling  
Scale: 1/2" = 1'-0"



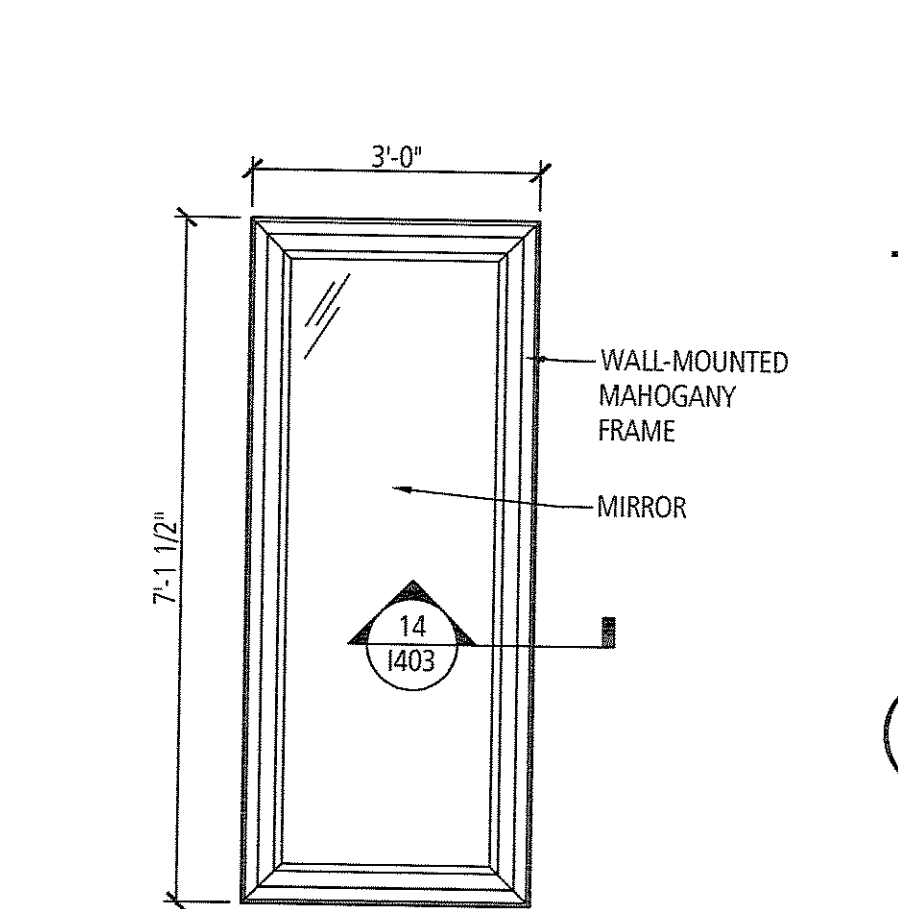
**7** Section Detail, MW-18  
Scale: 1/2" = 1'-0"



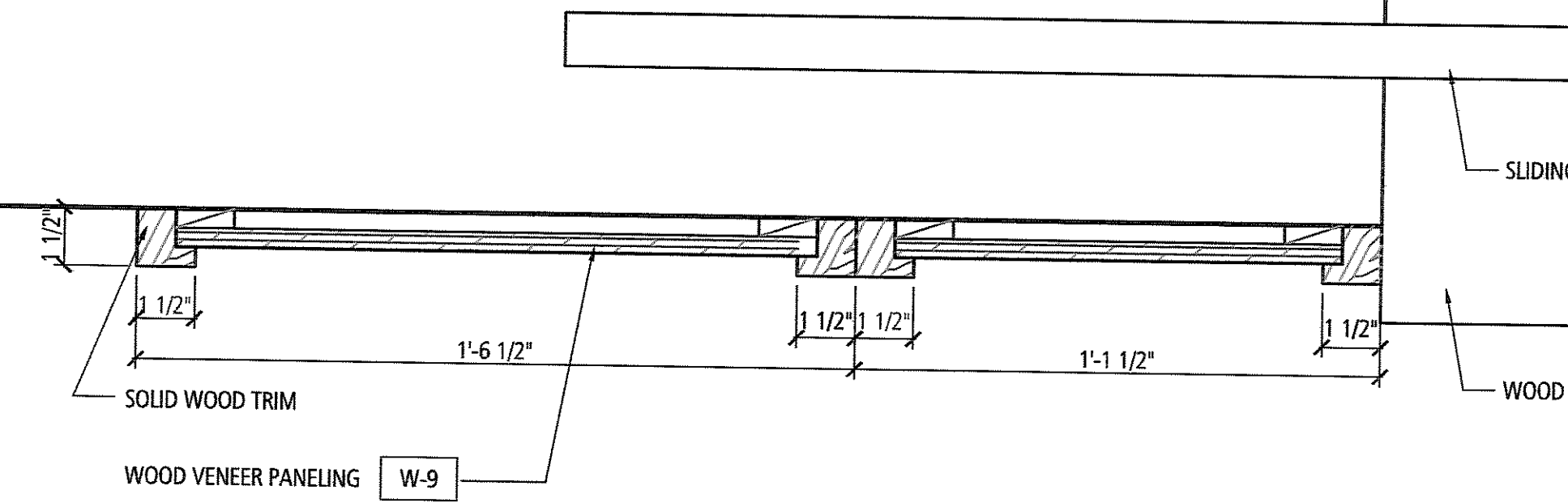
**8** Section Detail, MW-18  
Scale: 1/2" = 1'-0"



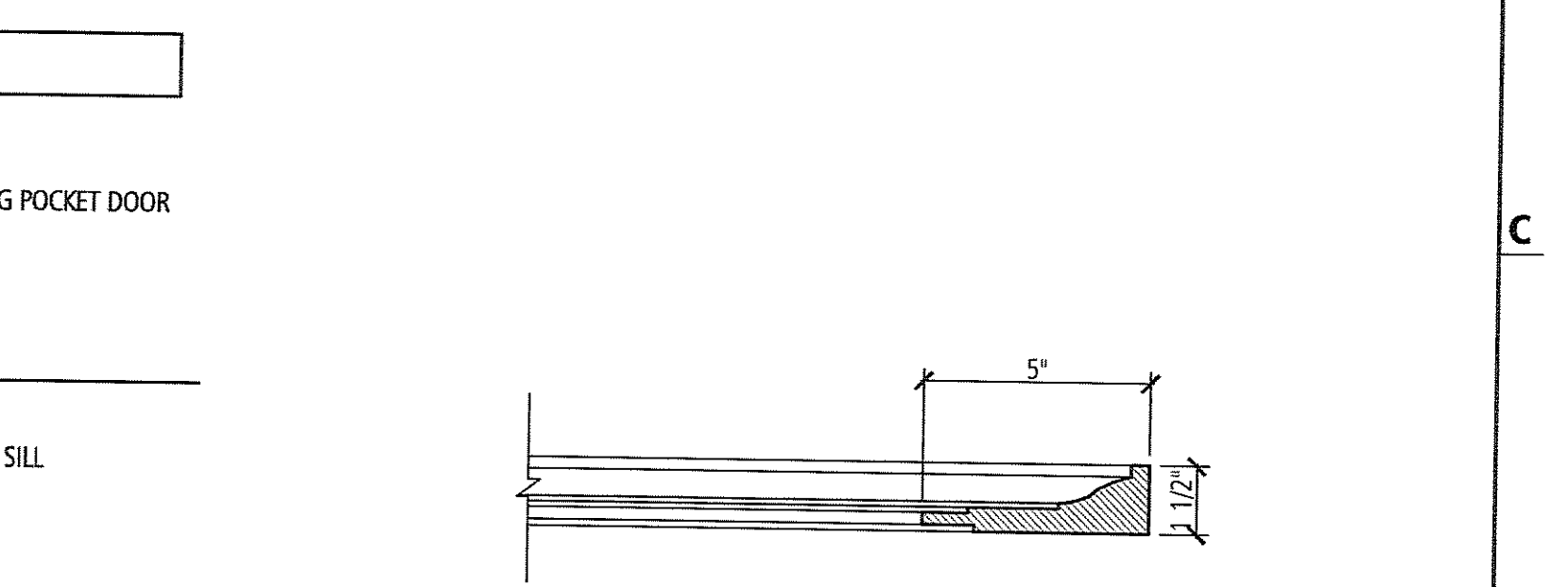
**9** Elevation, MW-20 Wood Panel  
Scale: 1/2" = 1'-0"



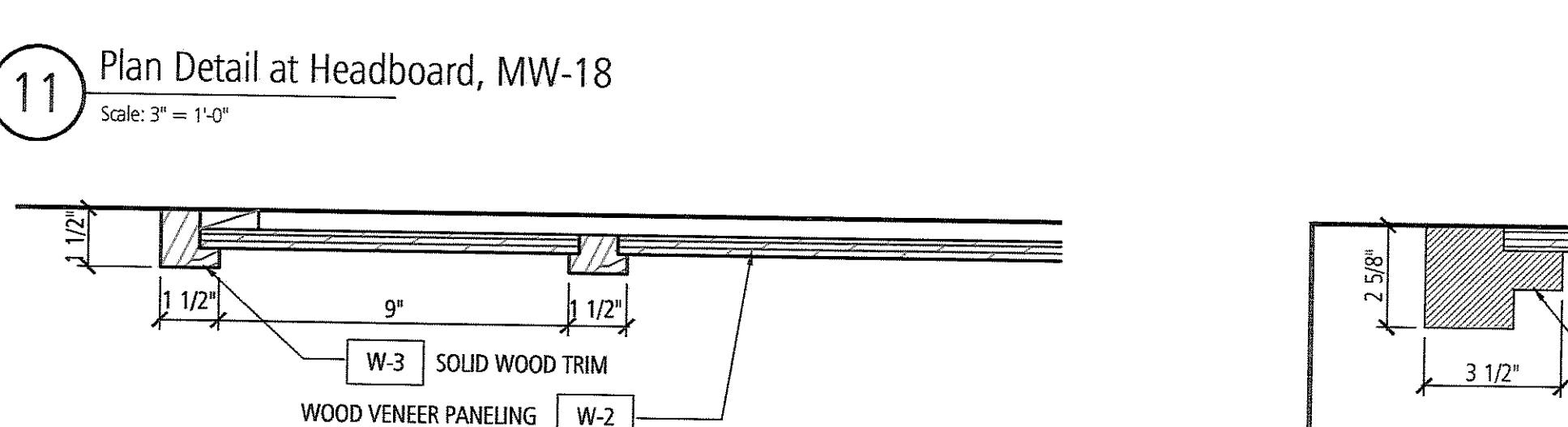
**10** Elevation, MW-24, Mirror  
Scale: 1/2" = 1'-0"



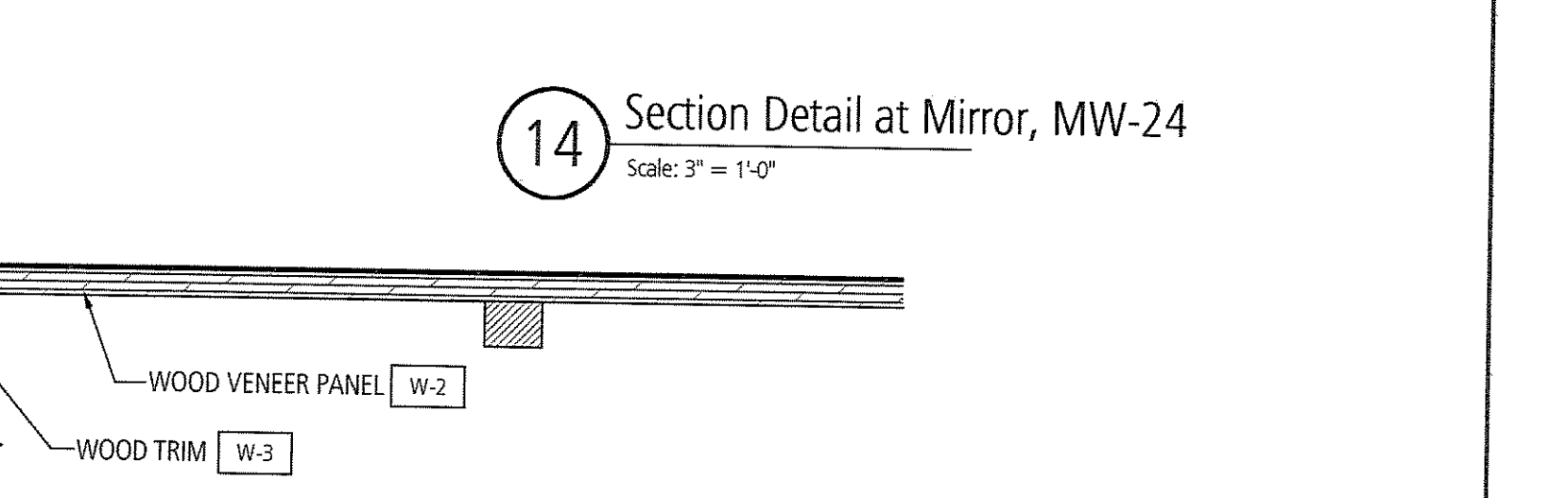
**11** Plan Detail at Headboard, MW-18  
Scale: 3" = 1'-0"



**14** Section Detail at Mirror, MW-24  
Scale: 3" = 1'-0"



**12** Plan Detail at Wood Panel, MW-20  
Scale: 3" = 1'-0"



**13** Section Detail at Wood Ceiling Panel, MW21  
Scale: 3" = 1'-0"

**Drawing Submission**

Description	Date
95% CD SET	05 Feb, 2008

**Portland Harbor Hotel  
Renovation & Addition,  
Phase II**

**Millwork Elevations & Details**

Project number :	1730.00
Date :	05 February, 2008
Drawn by :	MB
Checked by :	-
Project Phase :	-

**1403**  
Scale : As Noted