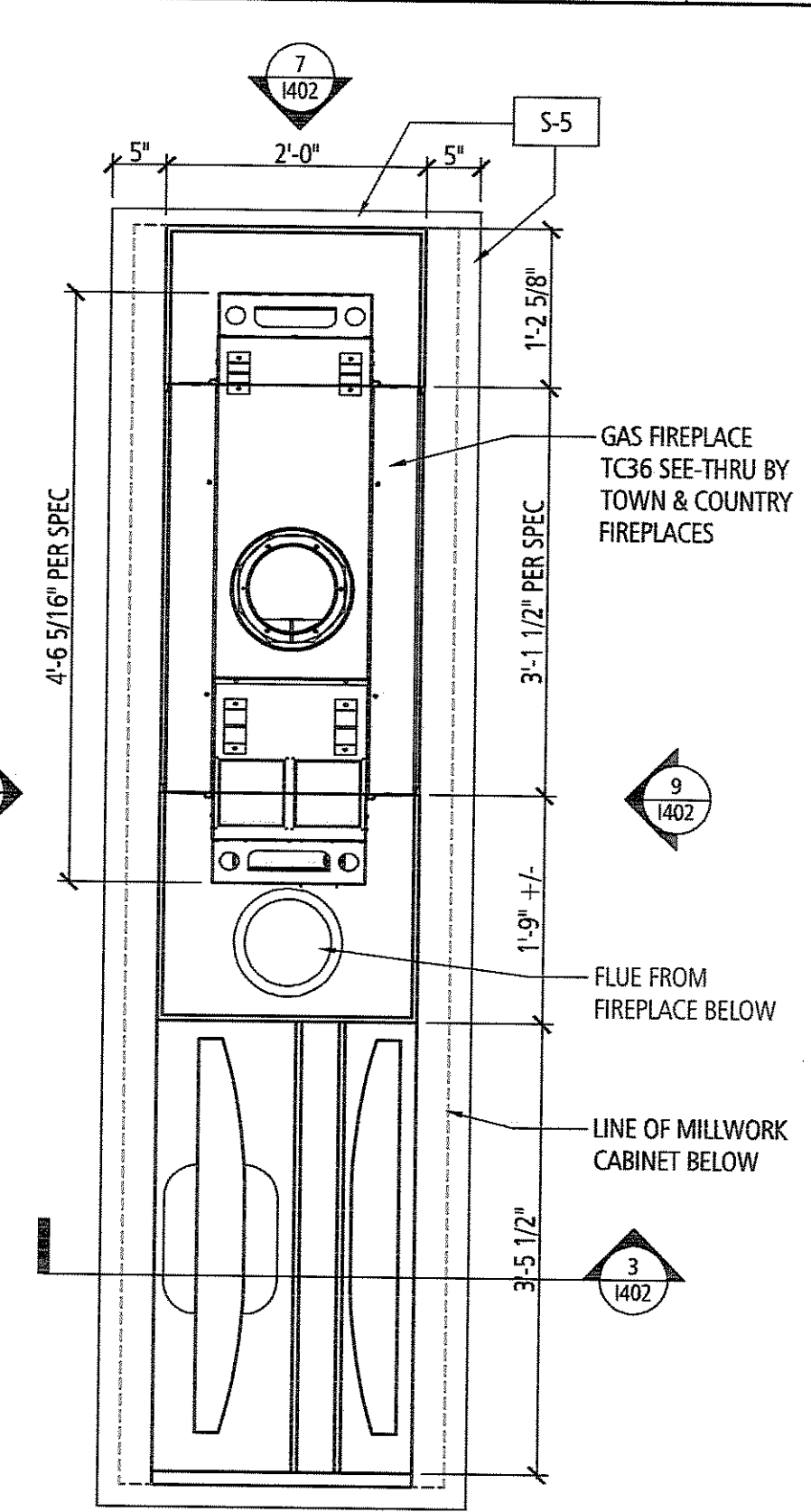
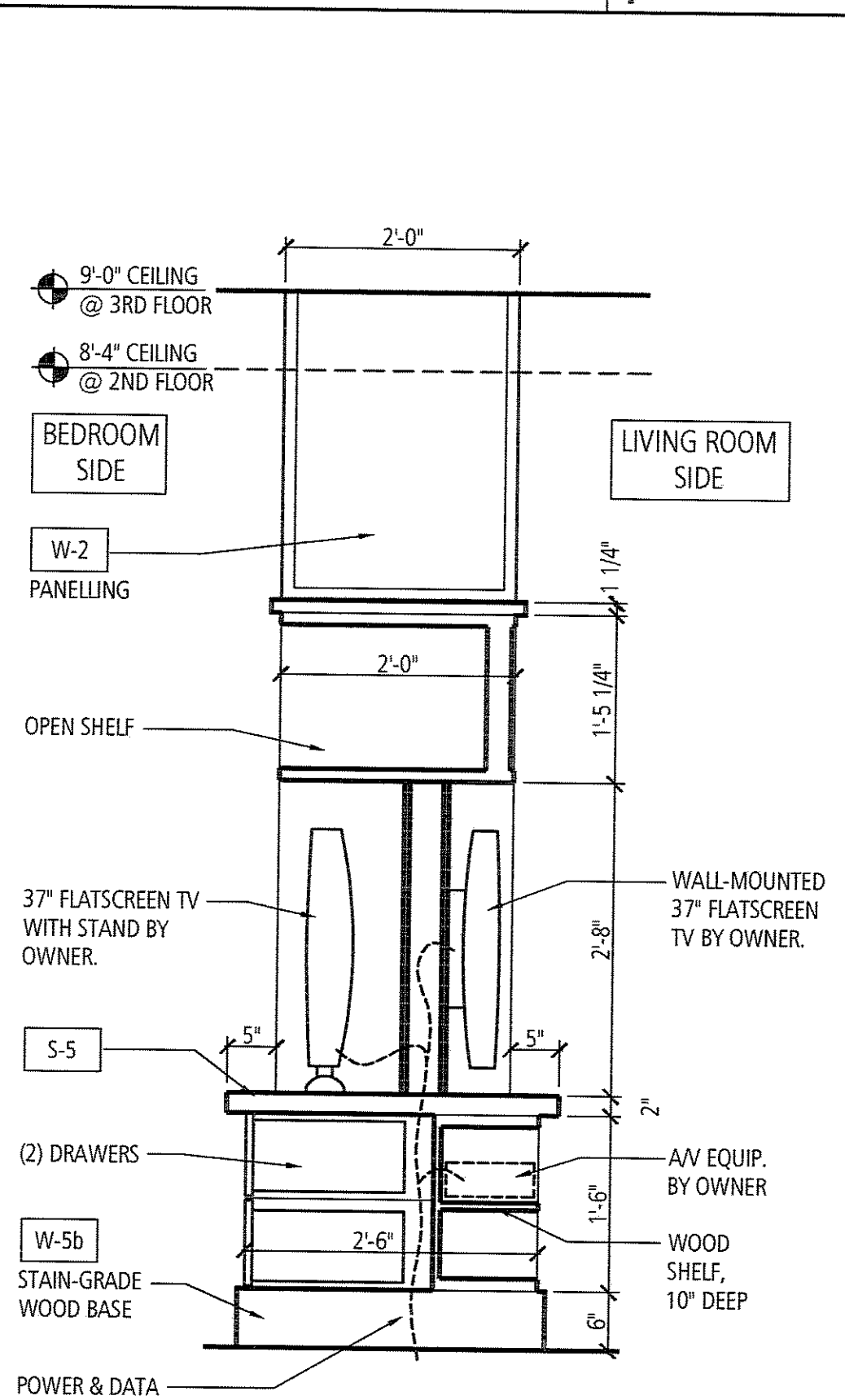


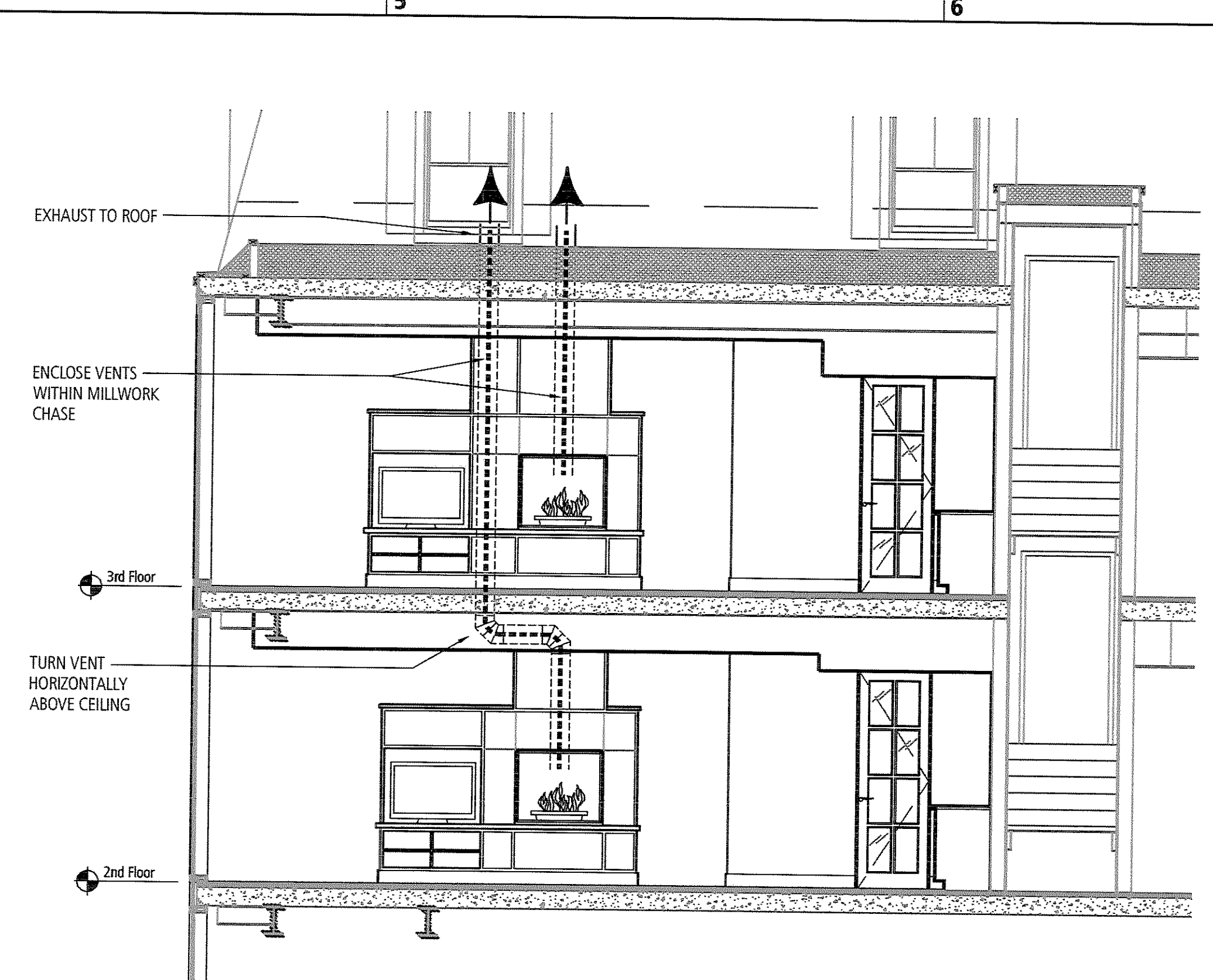
1 MW11 Fireplace Plan at 2nd Floor
Scale: 3/4" = 1'-0"



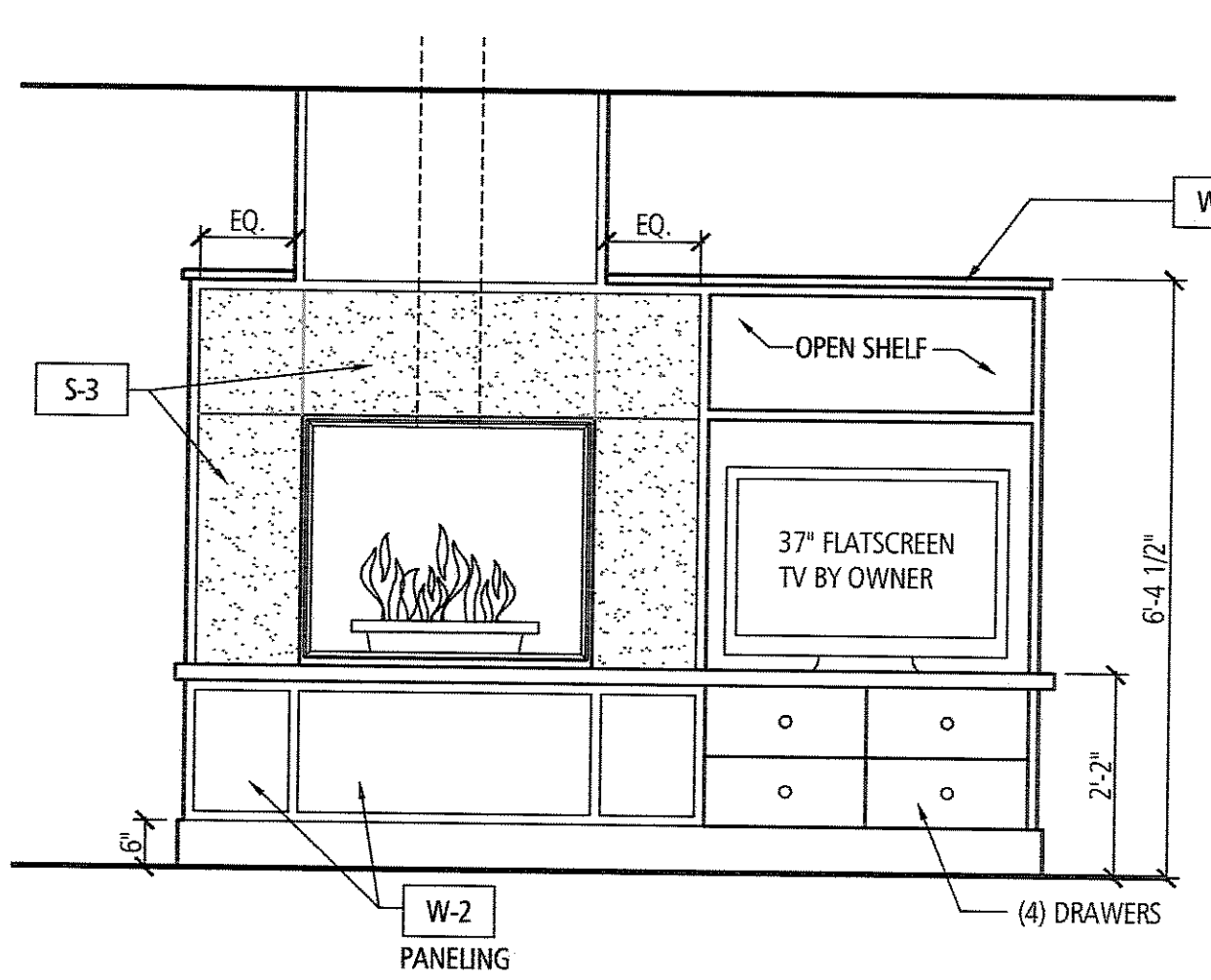
2 MW12 Fireplace Plan at 3rd Floor
Scale: 3/4" = 1'-0"



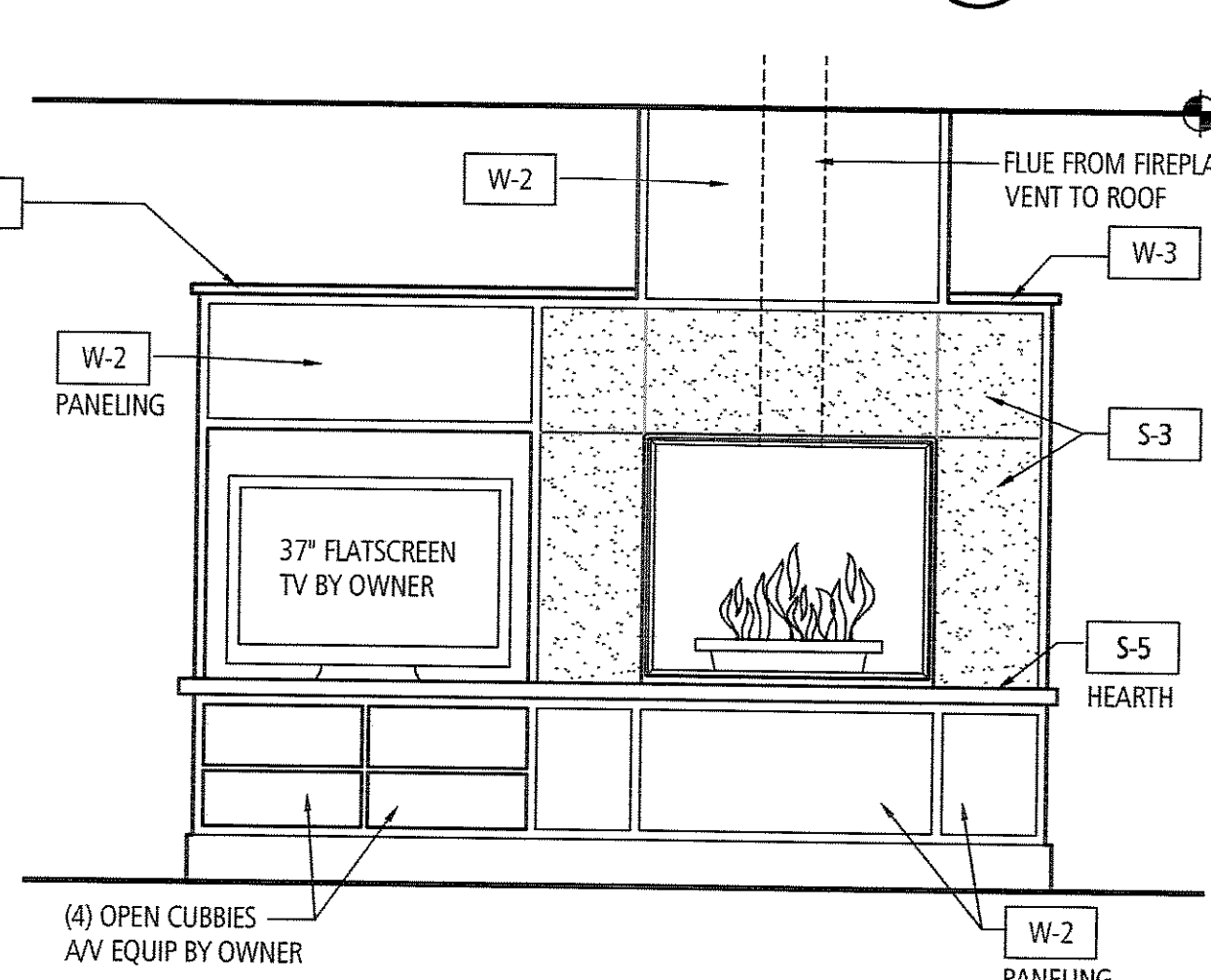
3 Millwork Section
Scale: 3/4" = 1'-0"



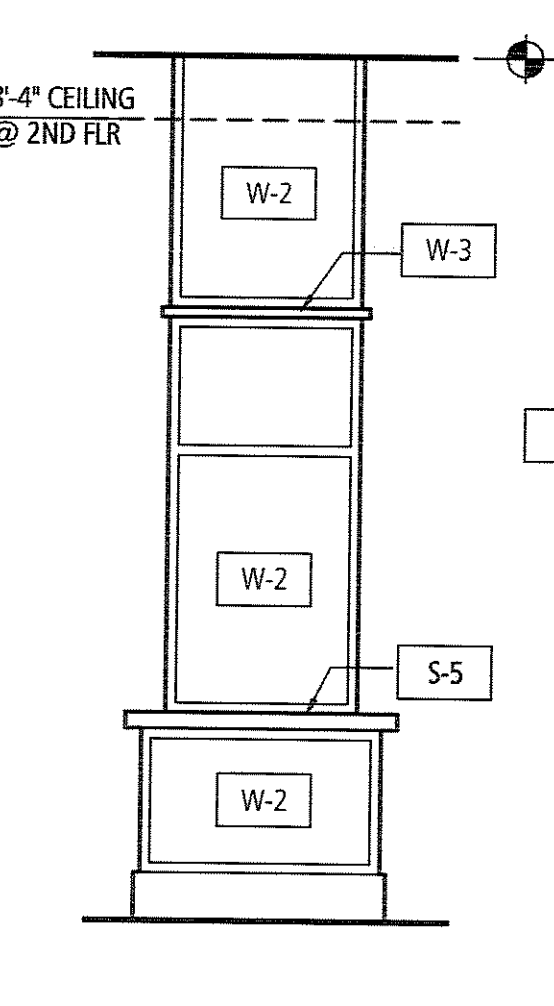
4 Venting Diagram at Fireplaces, Executive Suite
Scale: 3/4" = 1'-0"



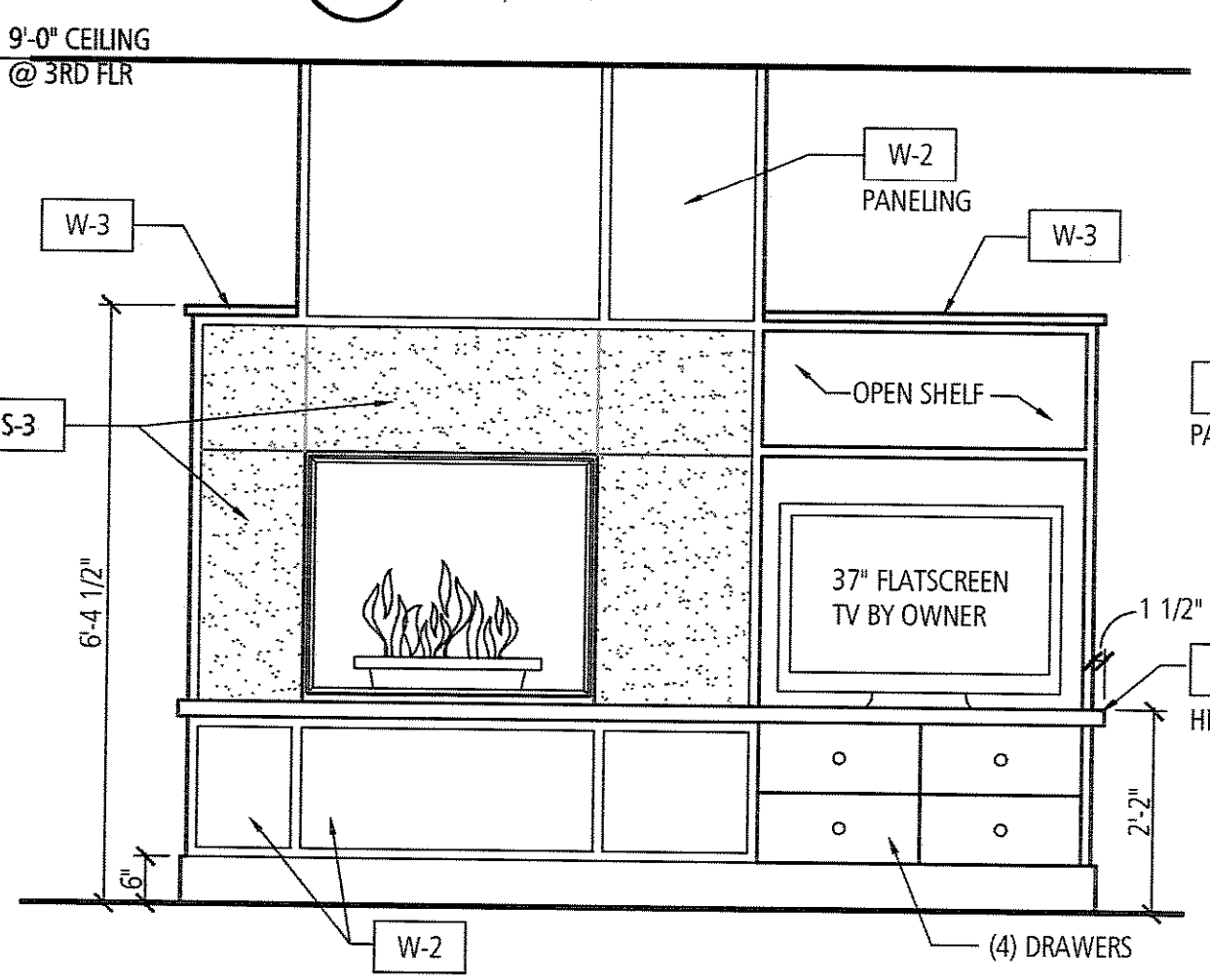
5 Interior Elevation, MW11 Fireplace
Scale: 1/2" = 1'-0"



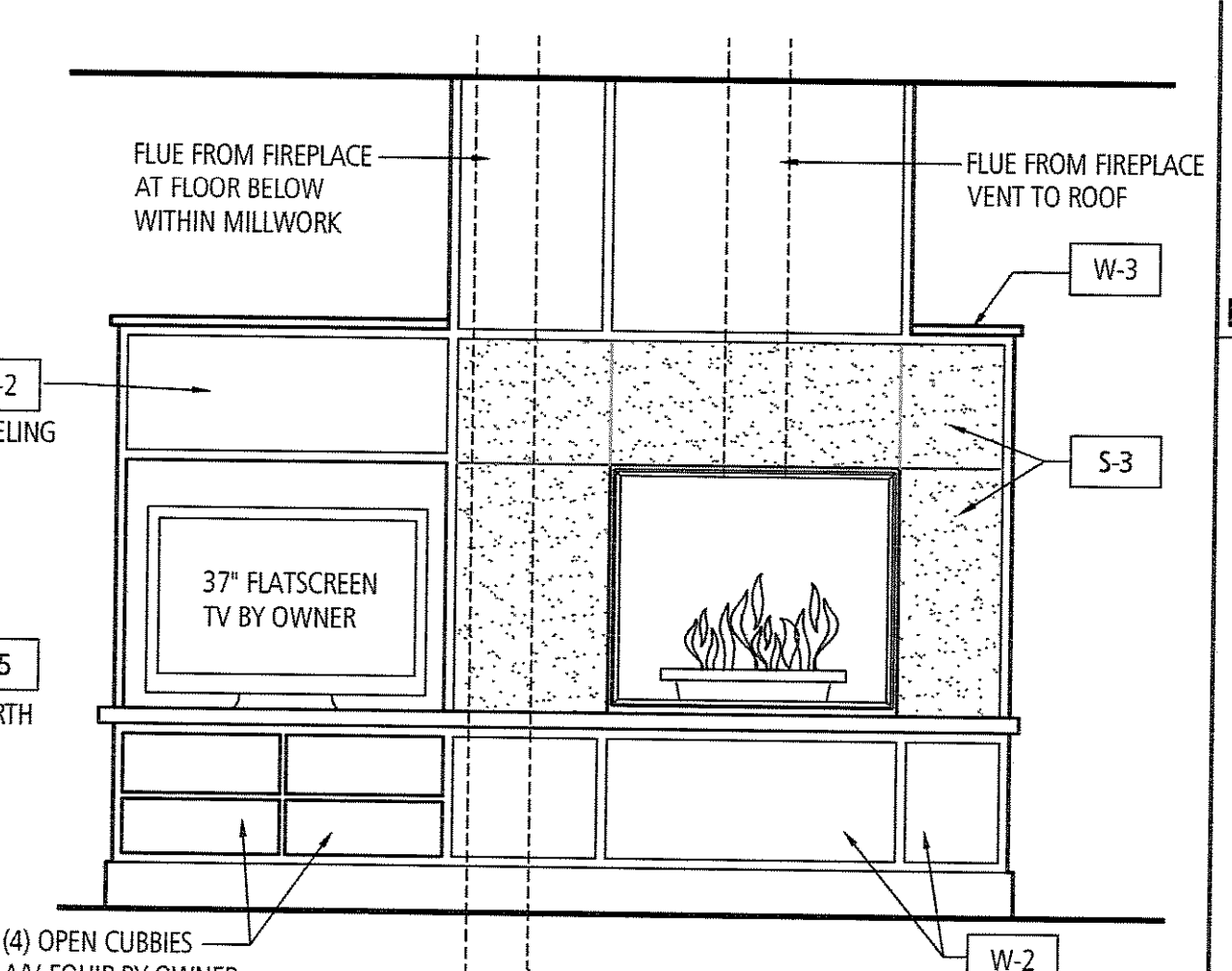
6 Interior Elevation, MW11 Fireplace
Scale: 1/2" = 1'-0"



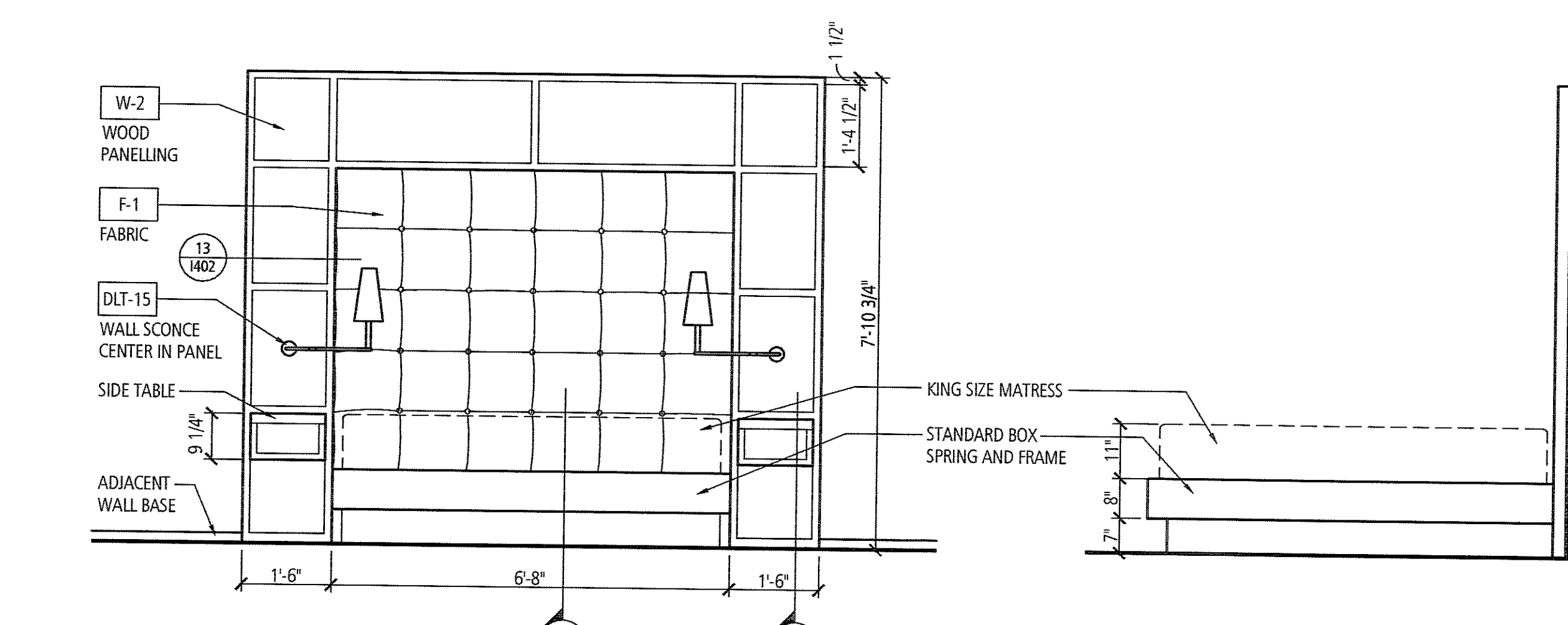
7 Interior Elevation MW11 / MW12
Scale: 1/2" = 1'-0"



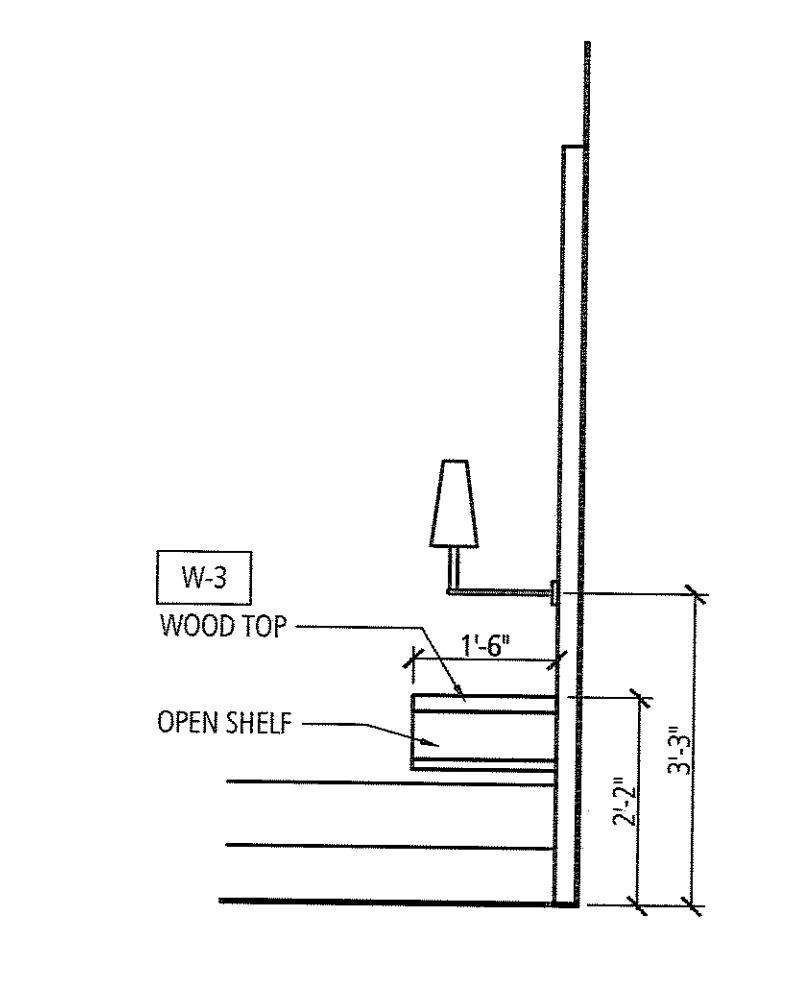
8 Interior Elevation, MW12 Fireplace
Scale: 1/2" = 1'-0"



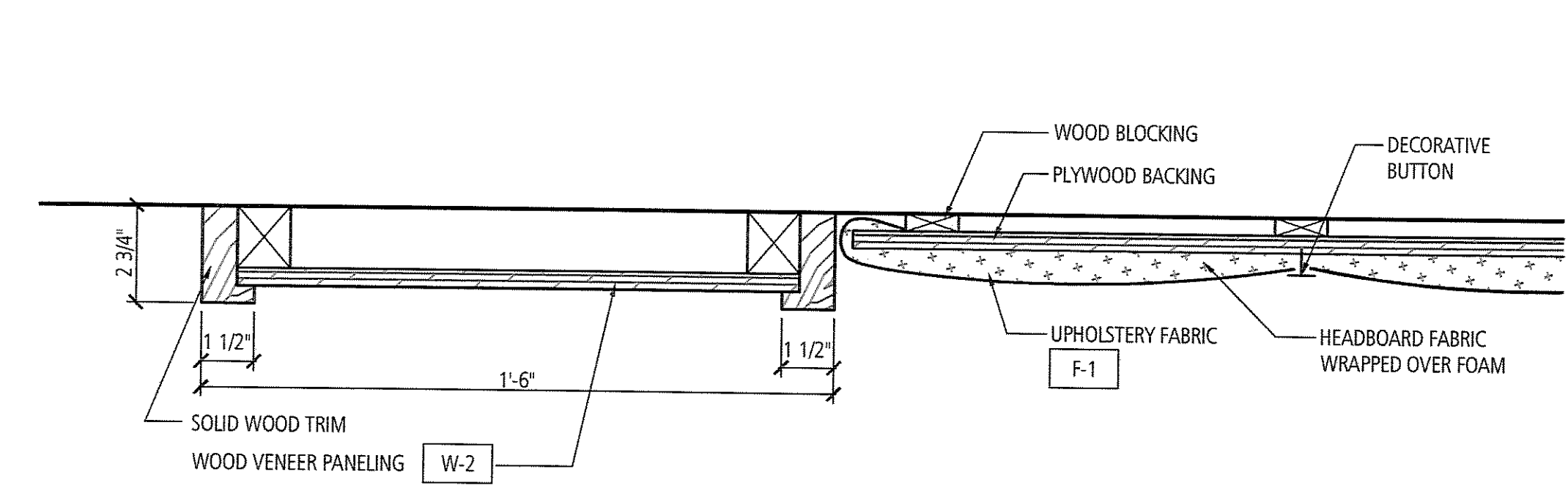
9 Interior Elevation, MW12 Fireplace
Scale: 1/2" = 1'-0"



10 Elevation, MW-10 Bed and Headboard
Scale: 1/2" = 1'-0"



11 Section Detail, Bed MW-10
Scale: 1/2" = 1'-0"



13 Plan Detail at Headboard, MW-10
Scale: 3" = 1'-0"

Drawing Submission

Description	Date
95% CD SET	05 Feb, 2008

**Portland Harbor Hotel
Renovation & Addition,
Phase II**

Millwork Elevations & Details

Project number :	1730.00
Date :	05 February, 2008
Drawn by :	MB
Checked by :	-
Project Phase :	-