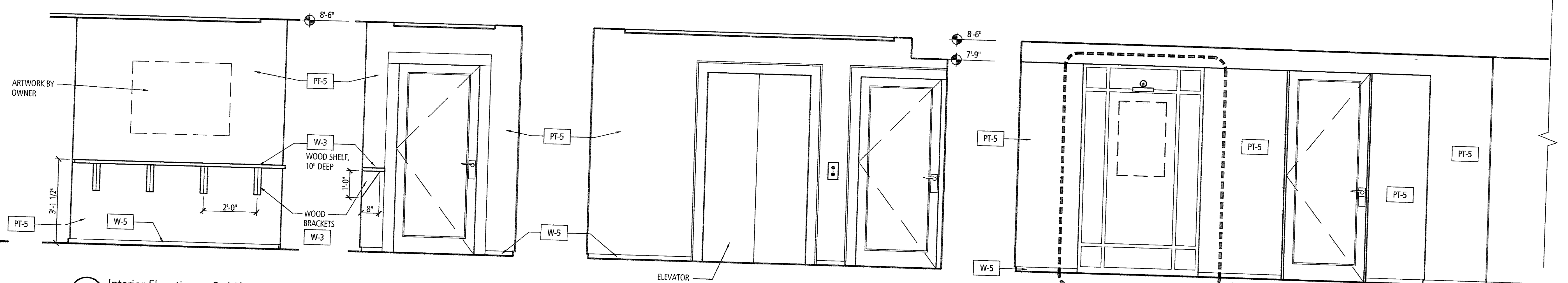


1a Interior Elevation at 2nd Floor
Scale: 1/2" = 1'-0"

2a Interior Elevation at 2nd Floor
Scale: 1/2" = 1'-0"

3a Interior Elevation at 2nd Floor
Scale: 1/2" = 1'-0"

4a Interior Elevation at 2nd Floor
Scale: 1/2" = 1'-0"

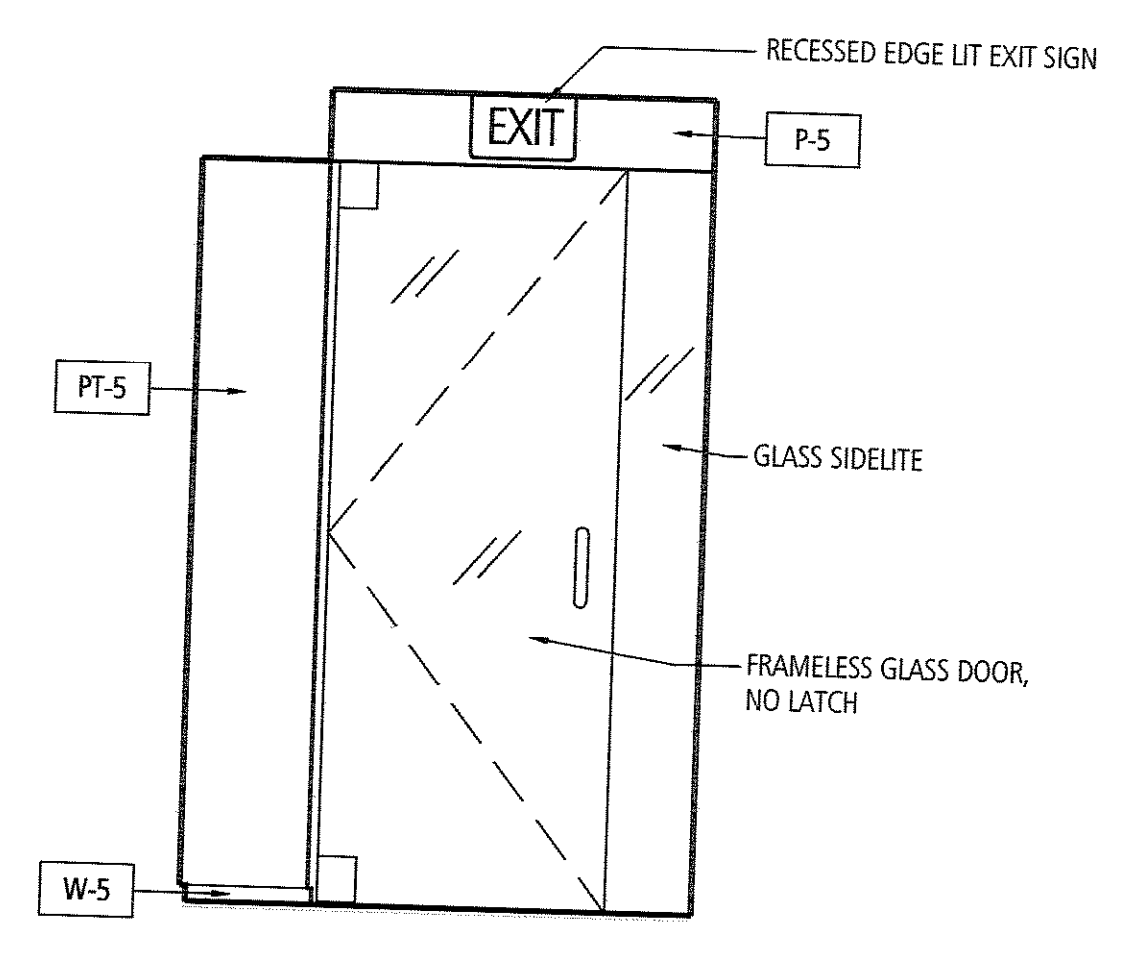


1b Interior Elevation at 3rd Floor
Scale: 1/2" = 1'-0"

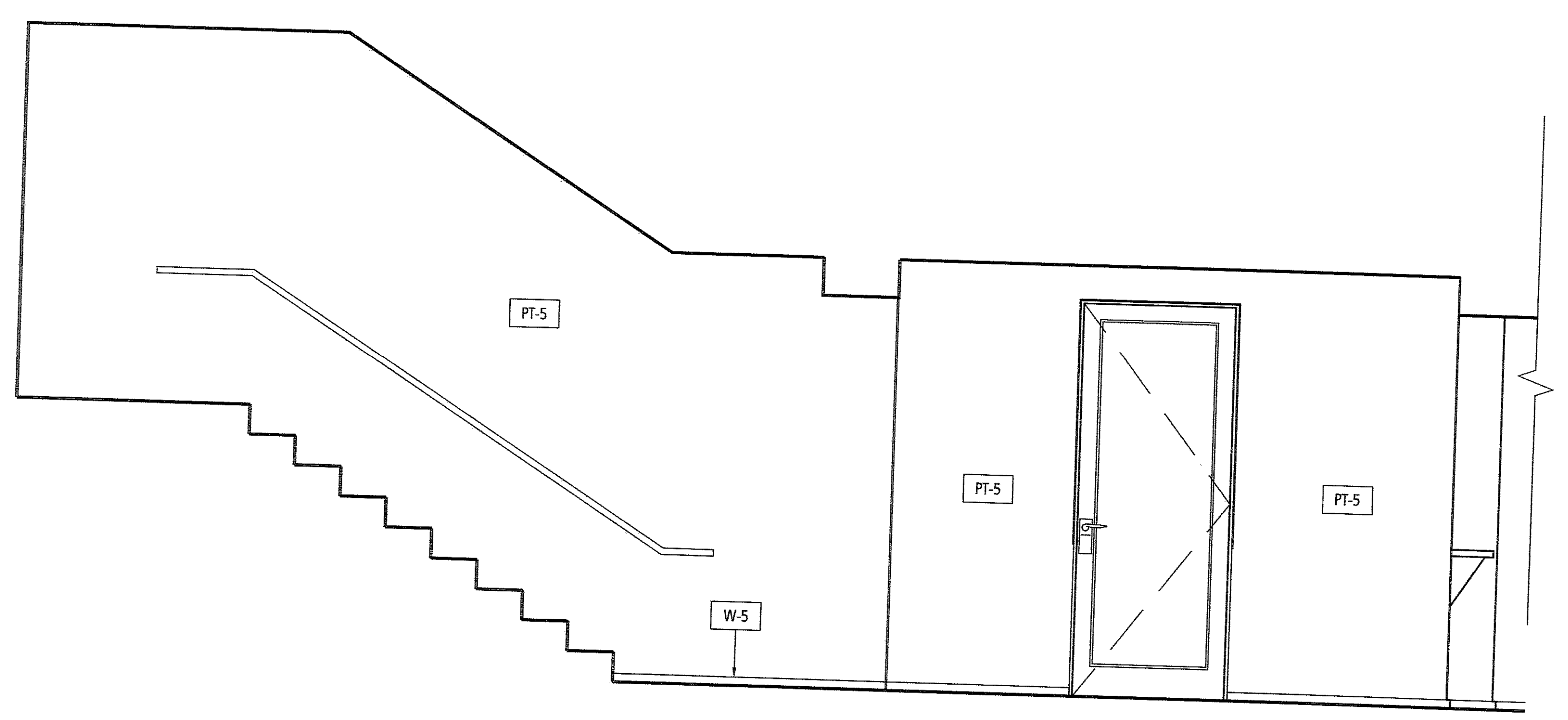
2b Interior Elevation at 3rd Floor
Scale: 1/2" = 1'-0"

3b Interior Elevation at 3rd Floor
Scale: 1/2" = 1'-0"

4b Interior Elevation at 3rd Floor
Scale: 1/2" = 1'-0"



5 Interior Elevation @ 2nd Floor (3rd floor similar)
Scale: 1/2" = 1'-0"



6 Interior Elevation @ 2nd Floor (3rd floor similar)
Scale: 1/2" = 1'-0"

Drawing Submission

Description	Date
95% CD SET	05 Feb, 2008

**Portland Harbor Hotel
Renovation & Addition,
Phase II**

**Interior Elevations
Elevator Lobby and Corridor**

Project number :	1730.00
Date :	05 February, 2008
Drawn by :	MB
Checked by :	-
Project Phase :	-

I205

Scale: 1/2" = 1'-0"