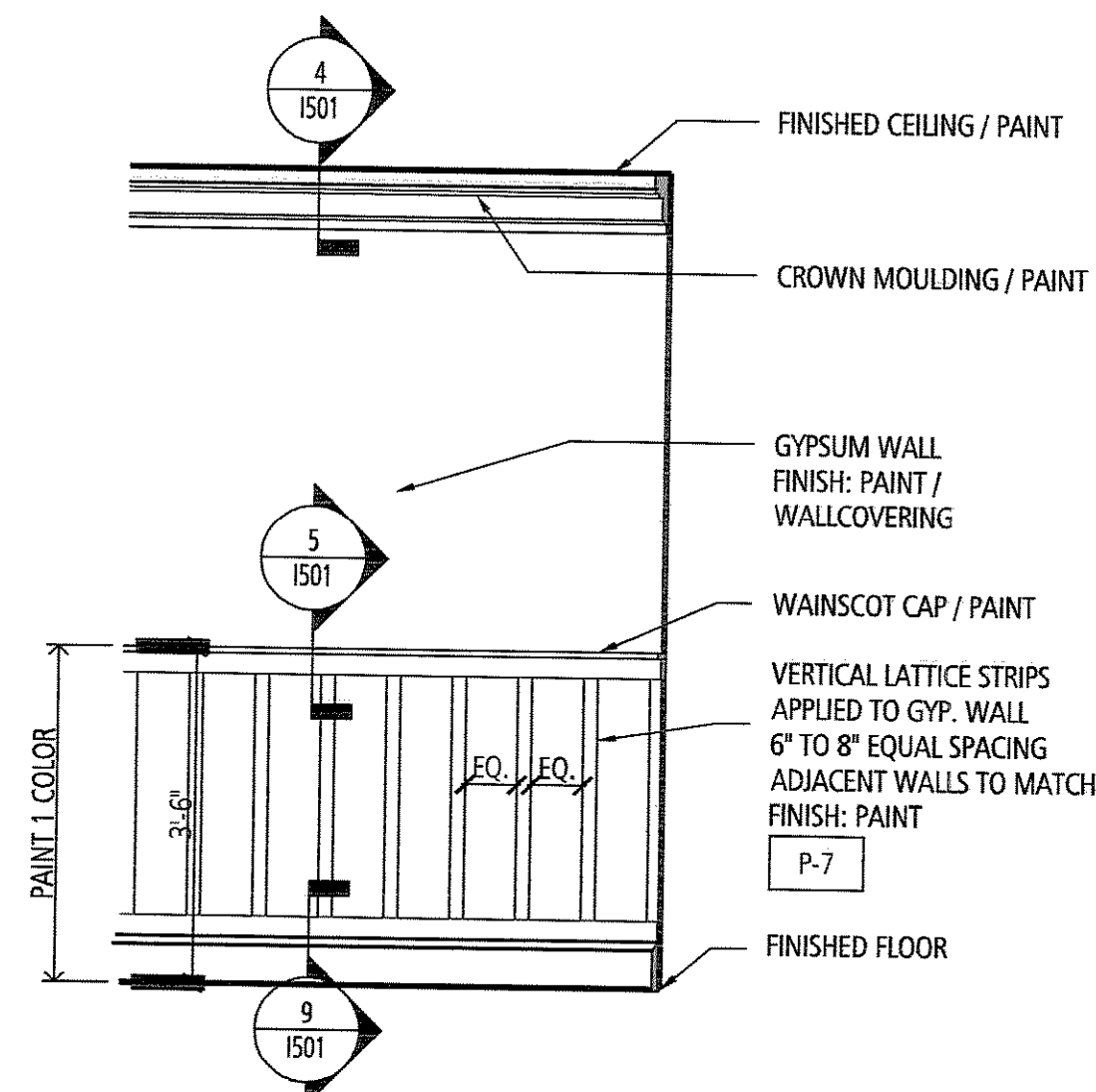
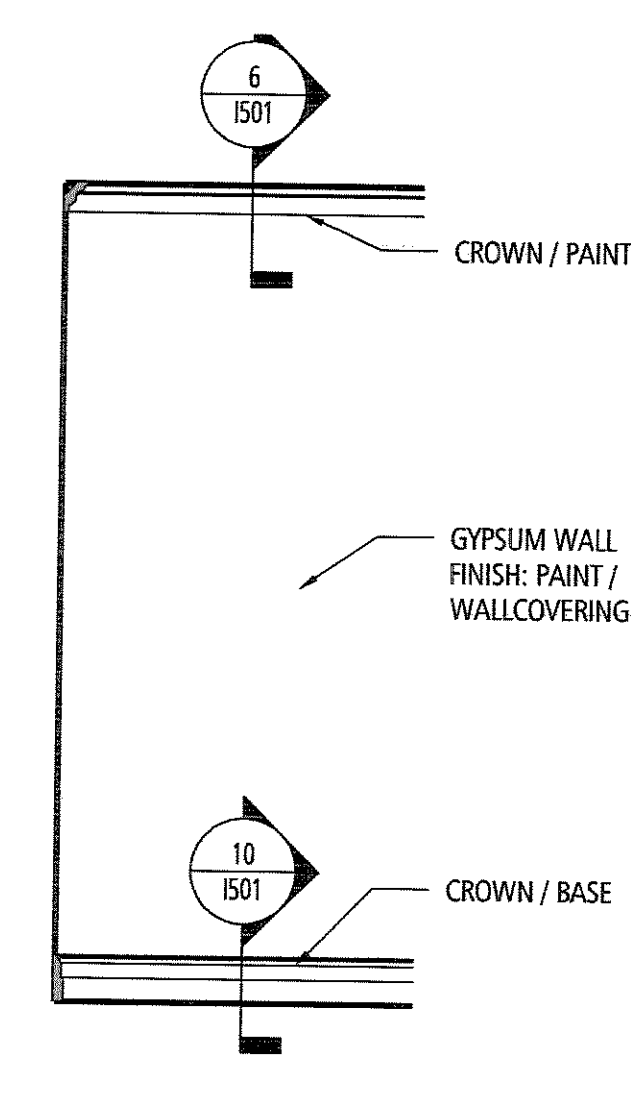


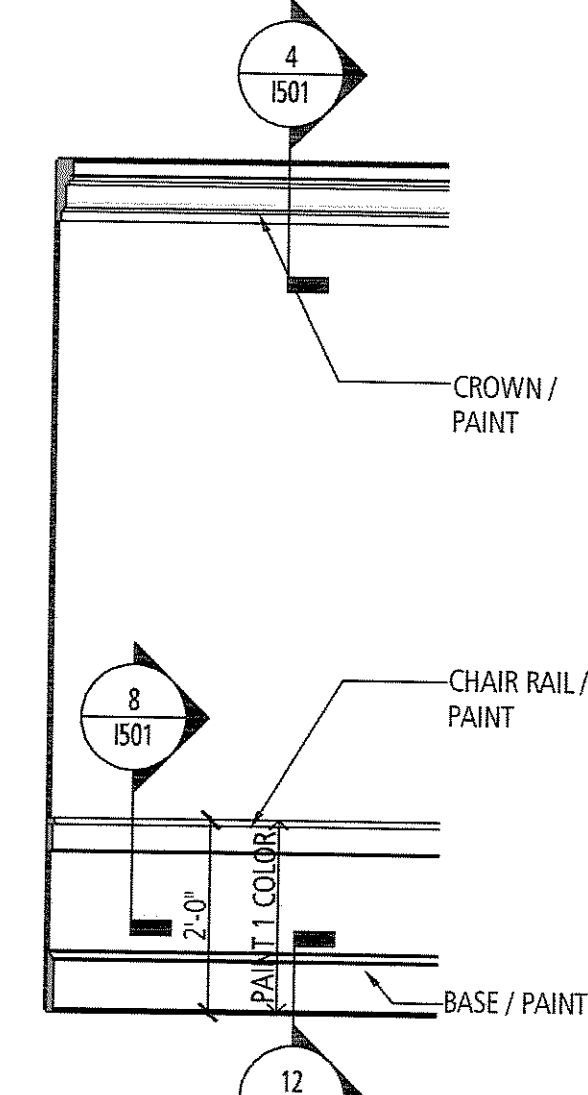
1 Interior Elevation at Conference Room 300
Scale: 1/2" = 1'-0"



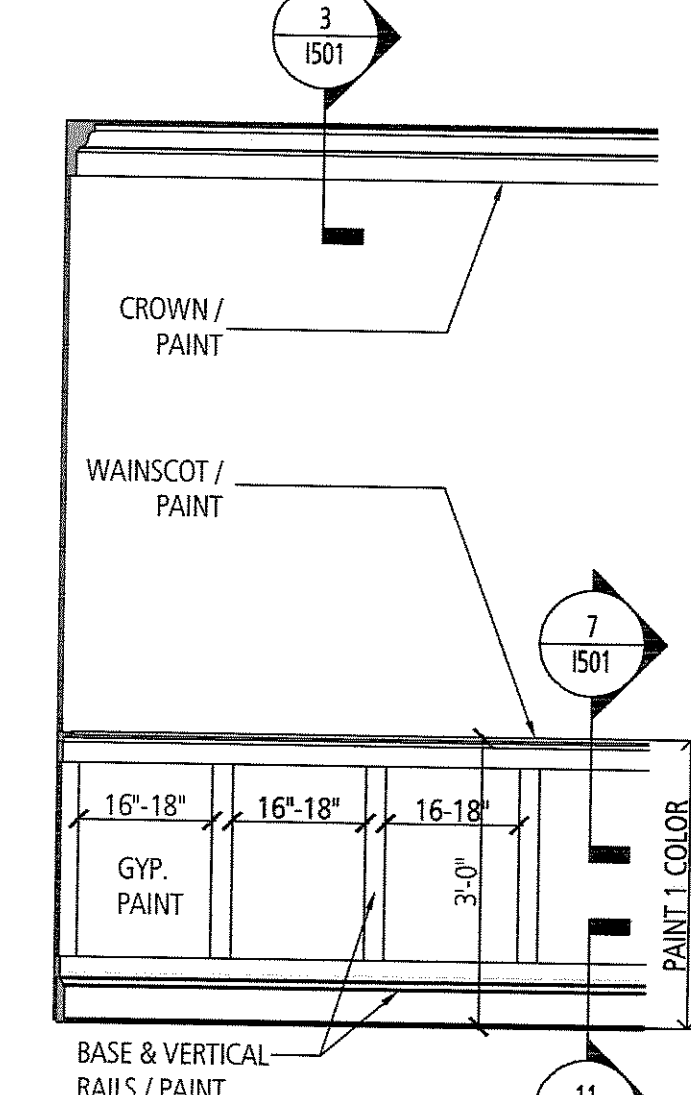
2 E-2 / Wall Type
Scale: 1/2" = 1'-0"



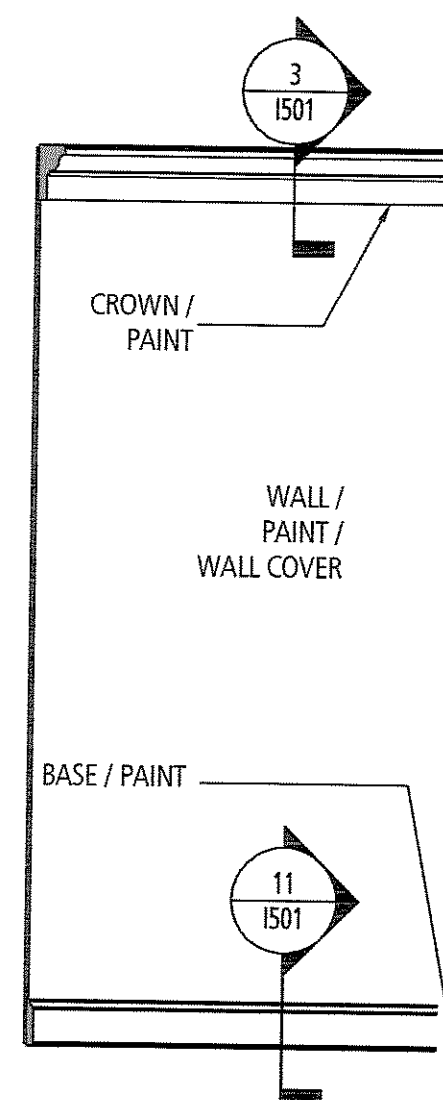
3 E-4 / Wall Type
Scale: 1/2" = 1'-0"



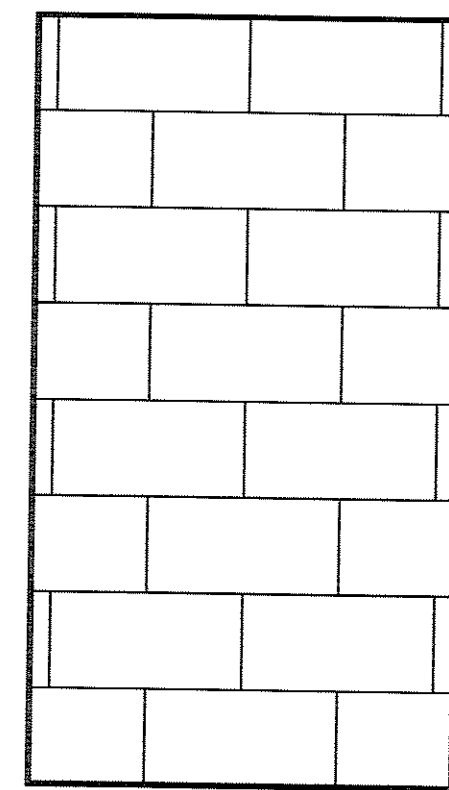
4 E-5 / Wall Type
Scale: 1/2" = 1'-0"



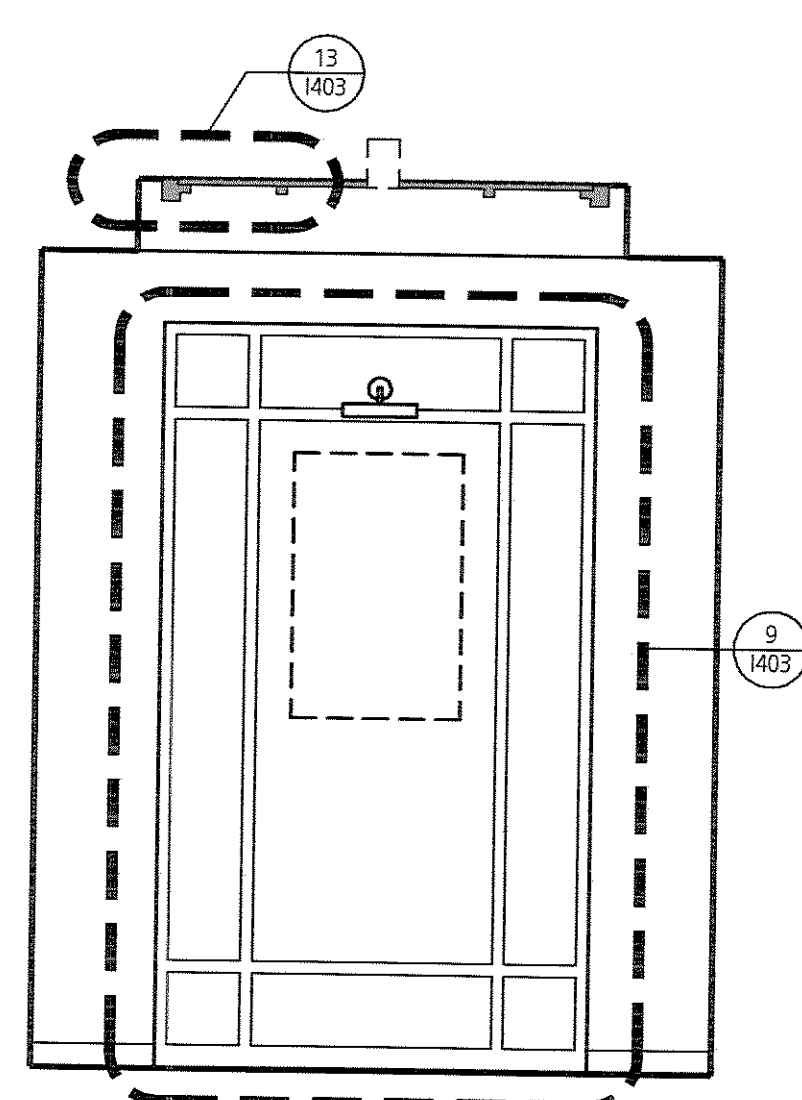
5 E-6 / Wall Type
Scale: 1/2" = 1'-0"



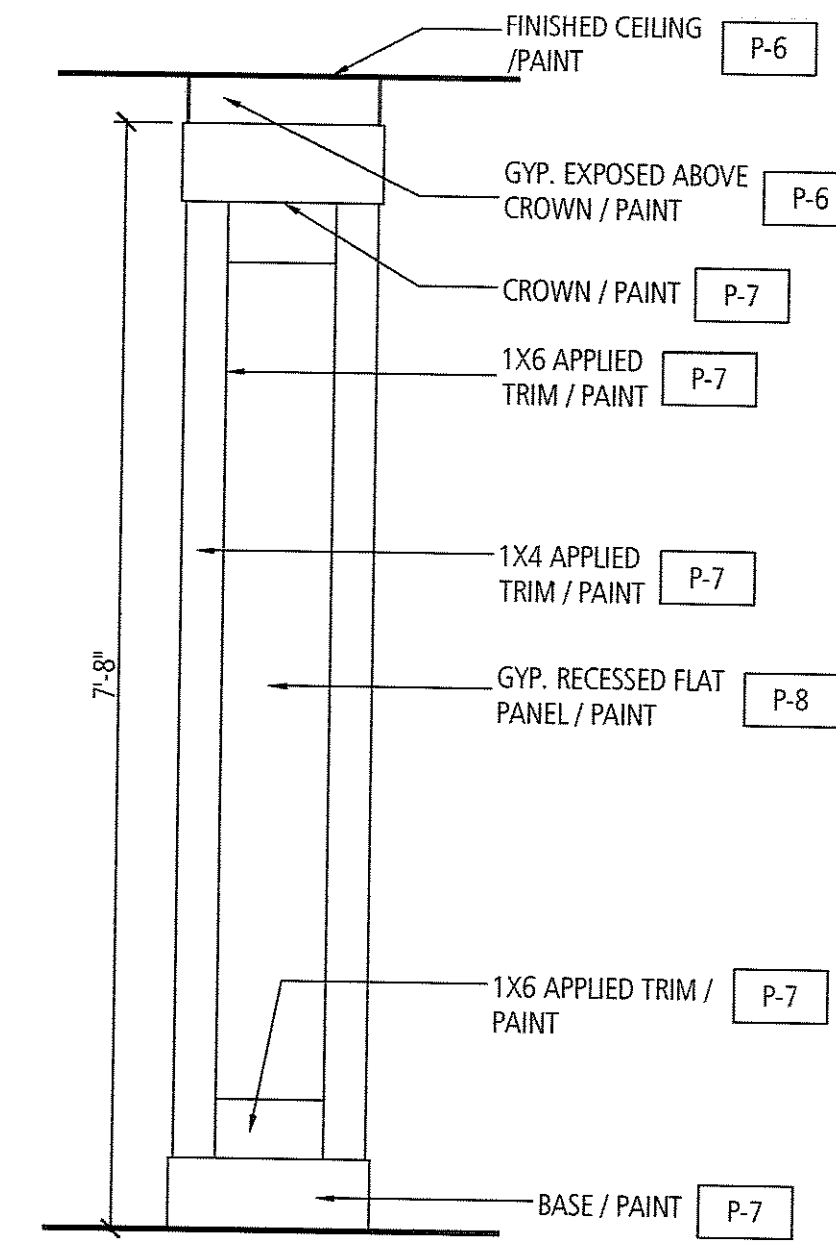
6 E-7 / Wall Type
Scale: 1/2" = 1'-0"



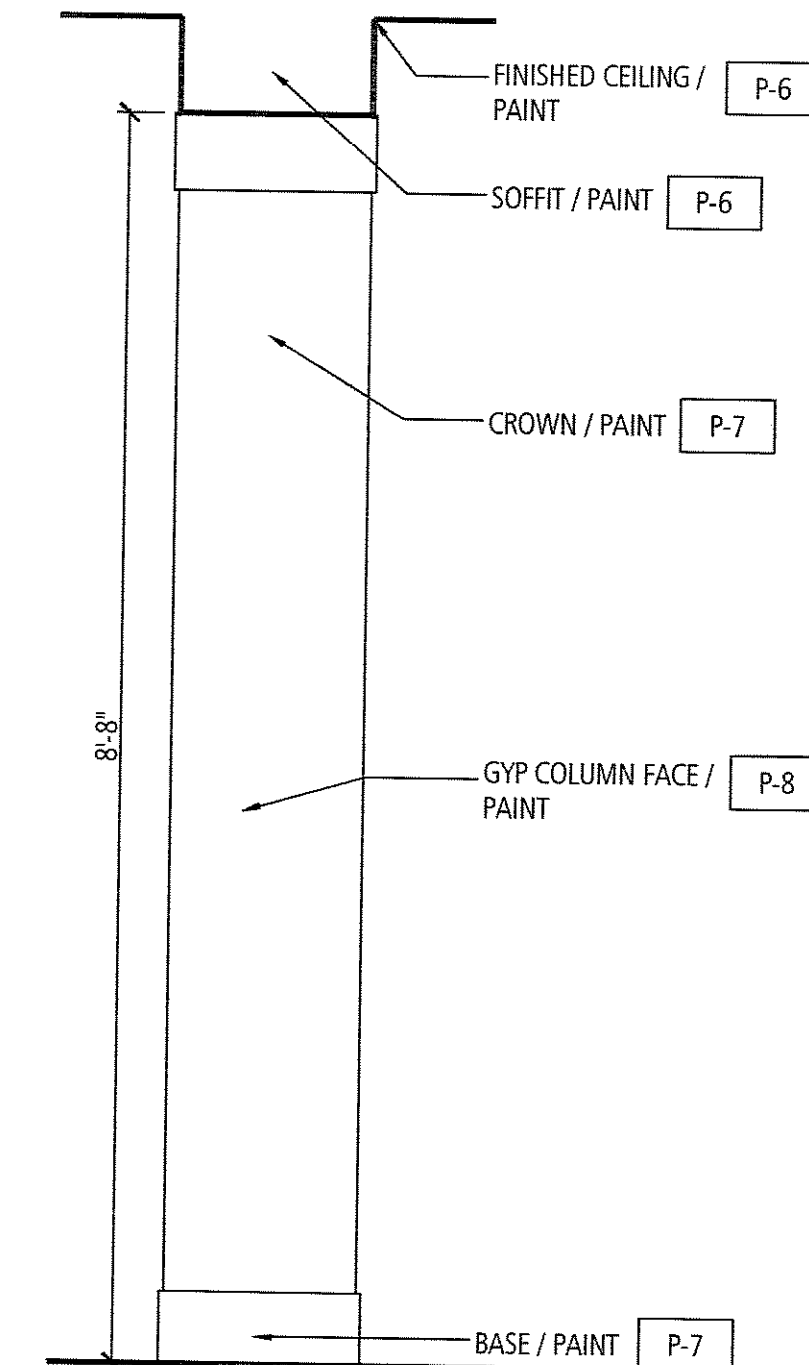
7 E-8 / Wall Type
Scale: 1/2" = 1'-0"



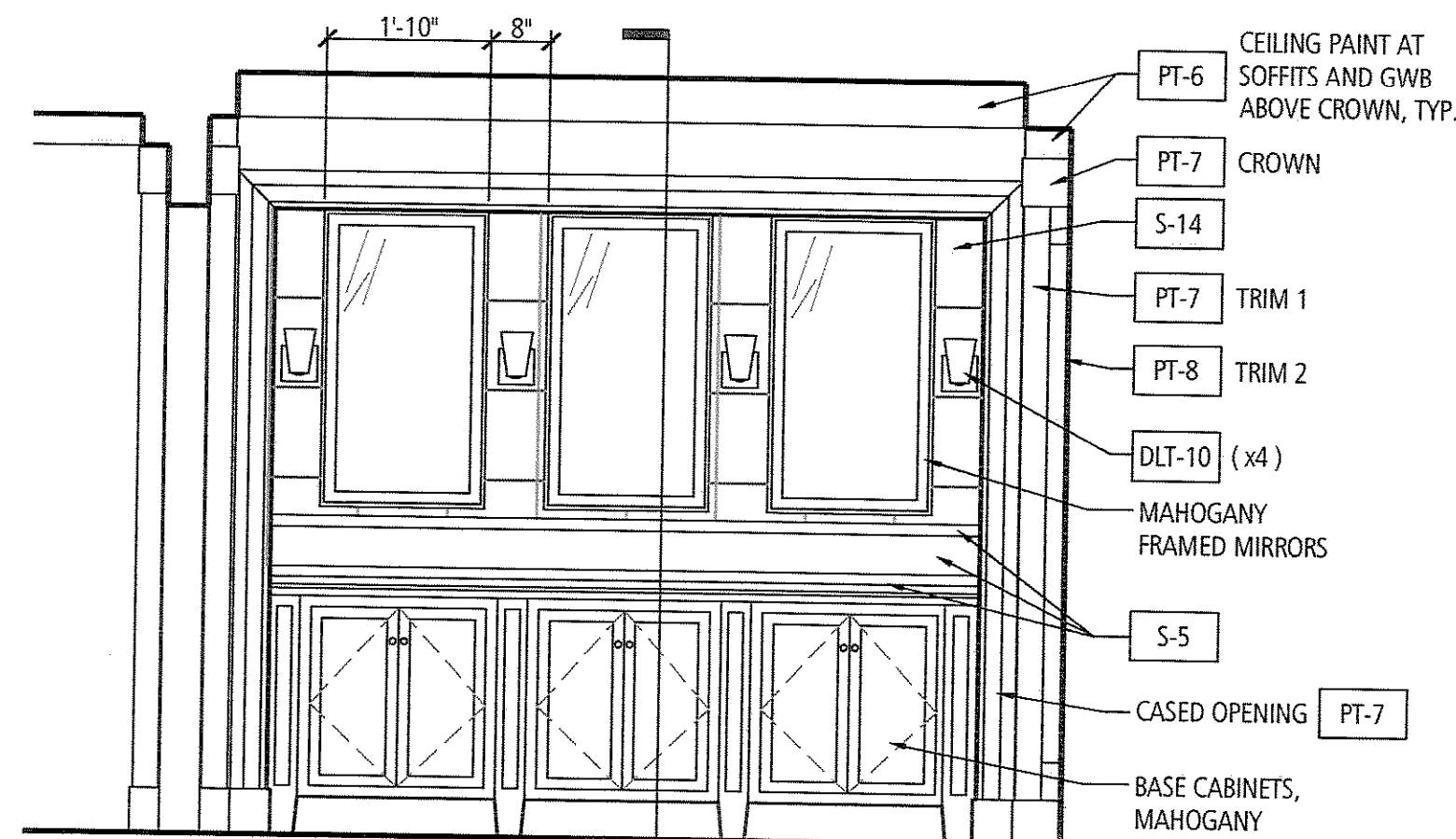
8 Interior Elevation, Elevator Lobby 301A
Scale: 1/2" = 1'-0"



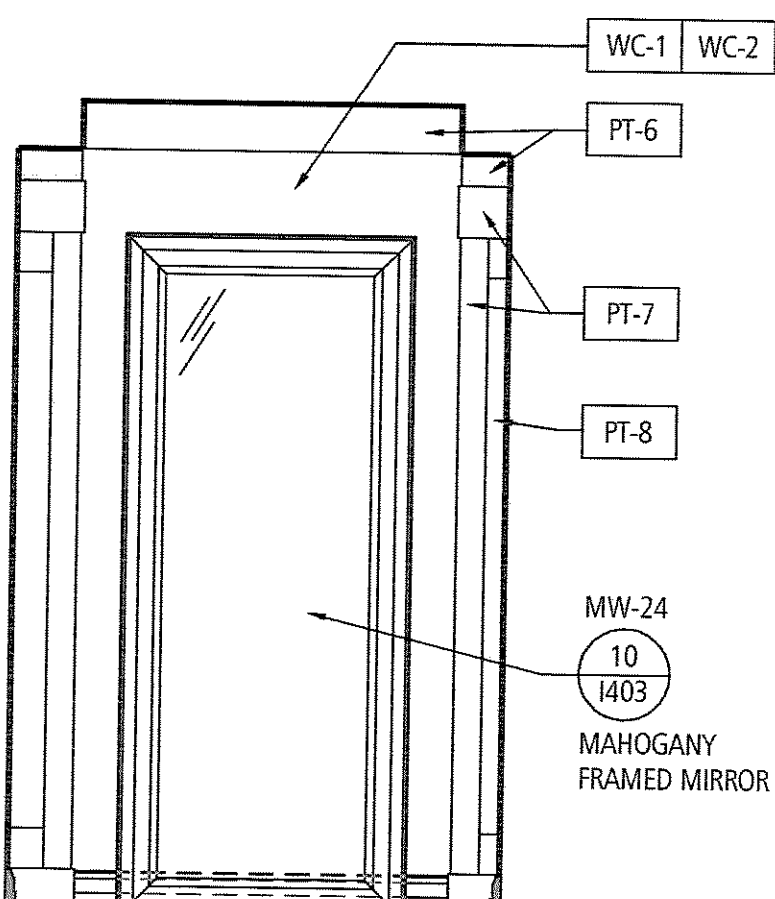
11 COL-1.1 / Column Type
Scale: 3/4" = 1'-0"



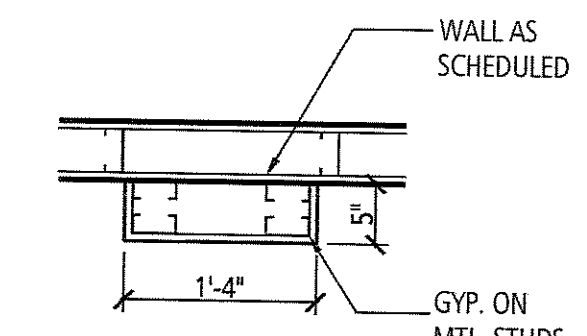
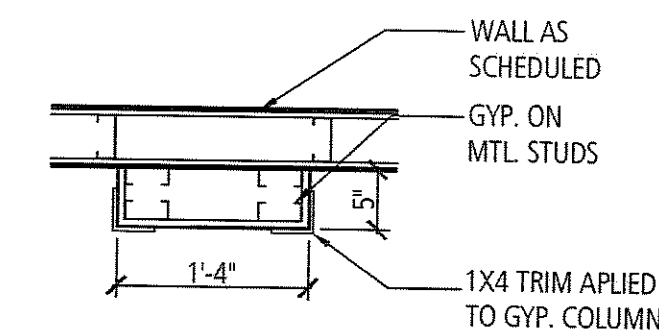
12 COL-3 / Column Type
Scale: 3/4" = 1'-0"



9 Typical Interior Elevation, Women 305 (Men 306 Similar)
Scale: 1/2" = 1'-0"



10 Typical Interior Elevation, Women 305 (Men 306 Similar)
Scale: 1/2" = 1'-0"



Drawing Submission	
Description	Date
95% CD SET	05 Feb, 2008

**Portland Harbor Hotel
Renovation & Addition,
Phase II**

Interior Elevations
First Floor Public Areas

Project number :	1730.00
Date :	05 February, 2008
Drawn by :	MB
Checked by :	-
Project Phase :	-

1201

Scale: As Noted