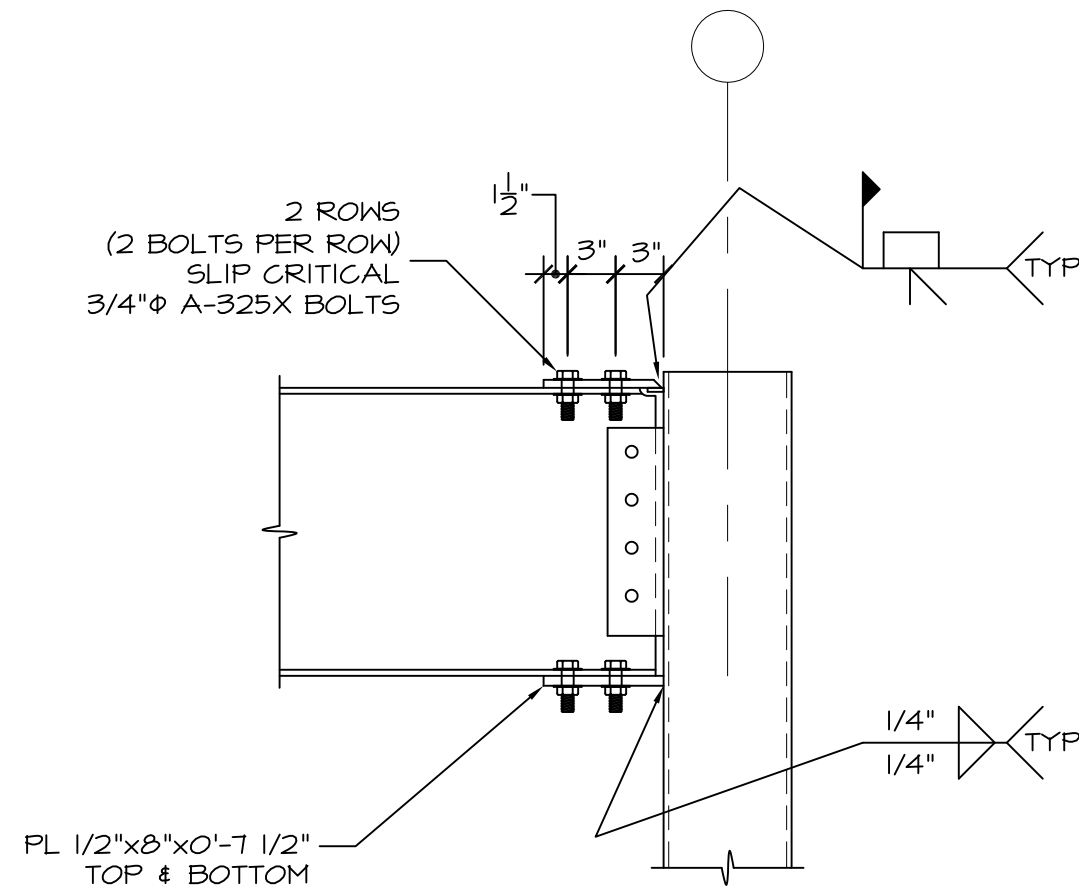
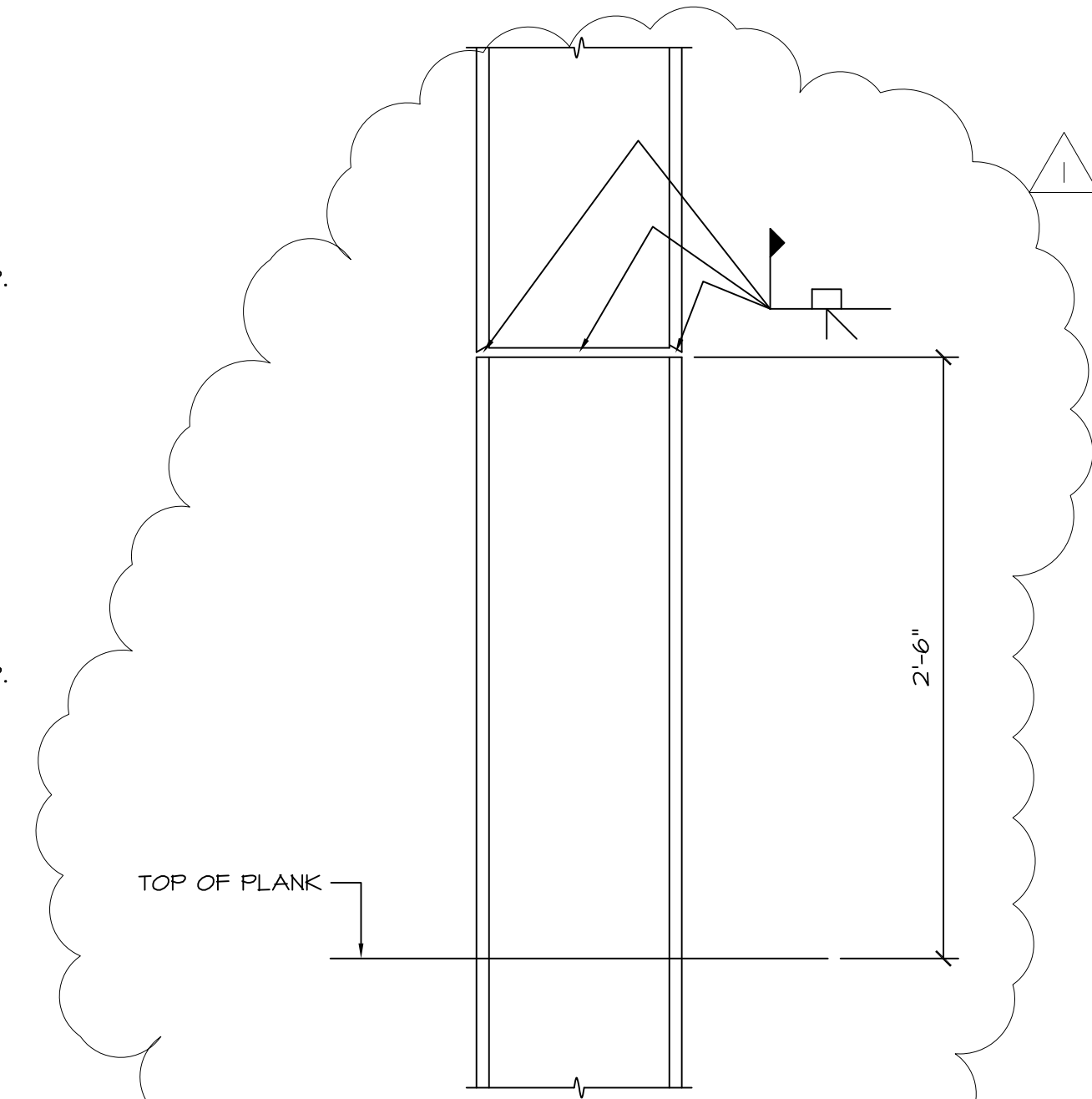


COLUMN SCHEDULE					
COLUMN MARK	SIZE	BOT. OF BASE PL. ELEV.	BASE PL. TYPE	TOP OF COLUMN ELEV.	COMMENTS
1-B	W12x50	92'-2"	A	146'-7"	SPLICE AT EVERY FLOOR LEVEL
1-C	W12x50	92'-2"	A	146'-7"	
1-D	W12x50	92'-2"	A	146'-7"	SPLICE AT EVERY FLOOR LEVEL
1-E	8"φ STD.	103'-0"	B	146'-7"	PRIME & TOP COAT BOTTOM TWO LEVELS
2-A	W12x50	92'-2"	A	146'-7"	
2-B	H564x4XO.1875	113'-4"	C	146'-7"	
3-A	W12x50	92'-2"	A	146'-7"	
3-C	W12x50	92'-2"	A	125'-9"	
3-E	W12x50	92'-2"	A	146'-7"	
4-A	W12x50	92'-2"	A	146'-7"	
4-C	W12x50	92'-2"	A	146'-7"	SPLICE AT EVERY FLOOR LEVEL
4-E	W12x50	92'-2"	A	146'-7"	

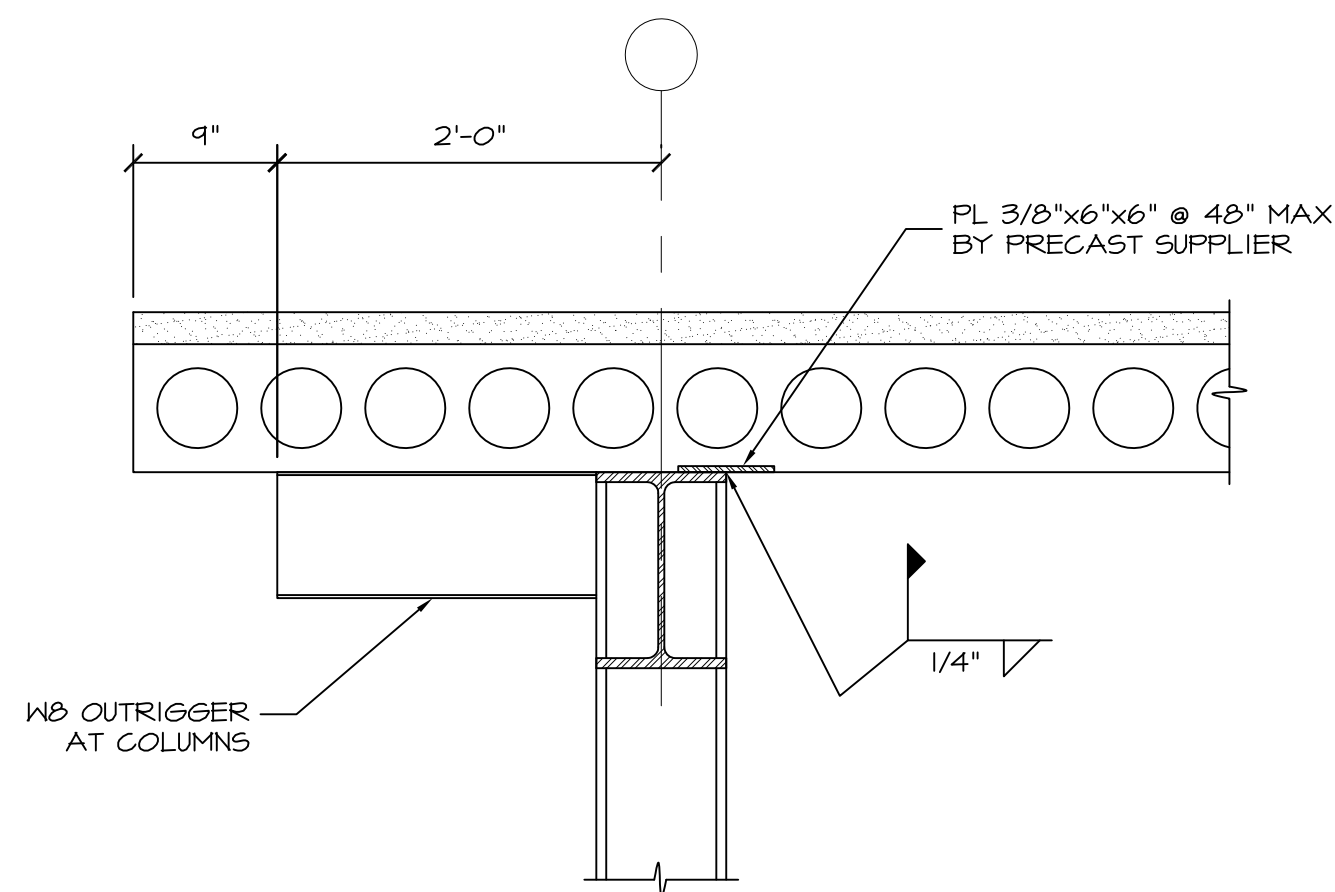
ERECTION OF HOLLOW-CORE PRECAST PLANK MAY REQUIRE ADDITIONAL COLUMN SPLICES. COORDINATE ERECTION REQUIREMENTS WITH PRECAST SUPPLIER.



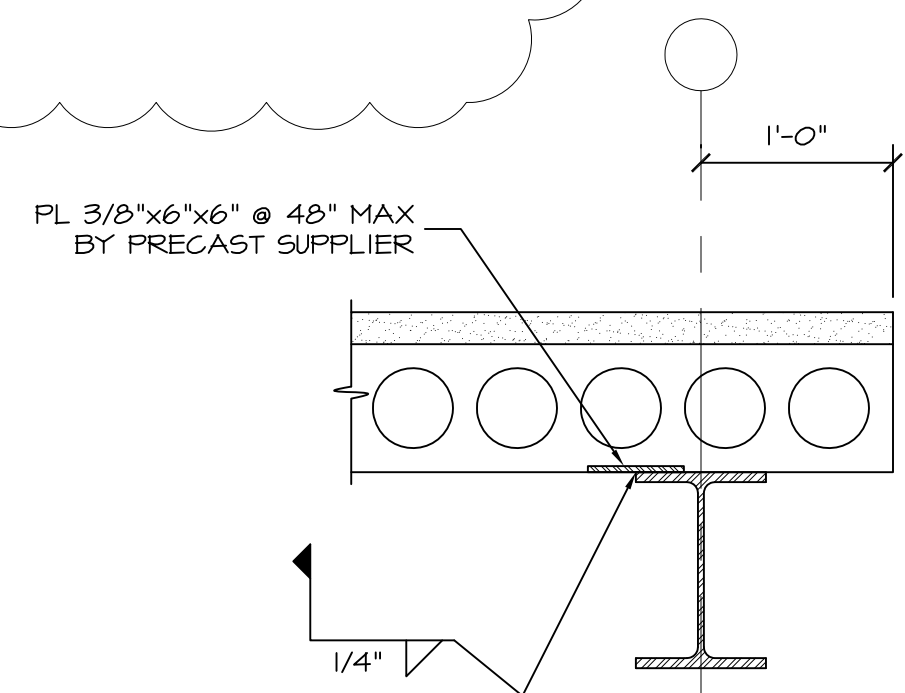
TYPICAL MOMENT CONNECTION
1"=1'-0"



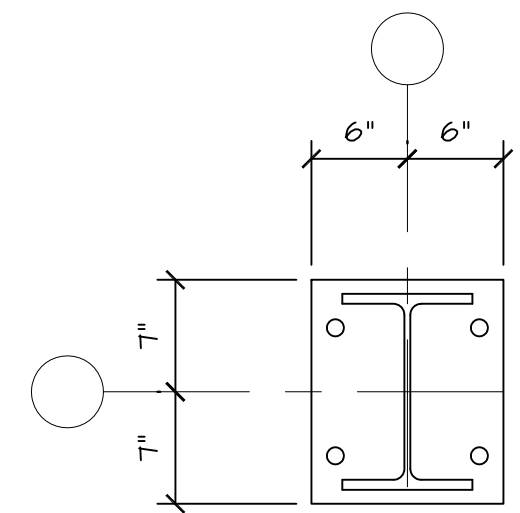
TYPICAL COLUMN SPLICE DETAIL
1 1/2"=1'-0"



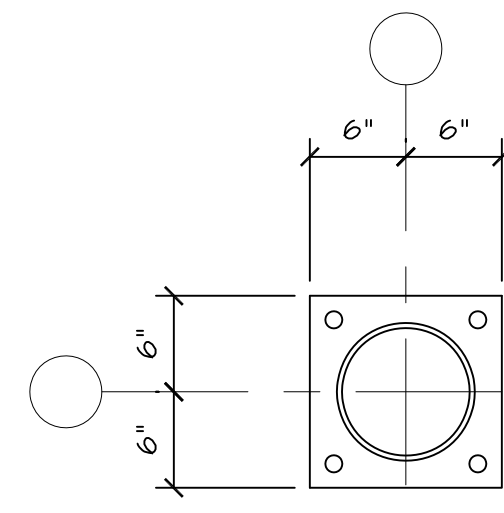
SECTION 1
1"=1'-0" S5 S6 S7
SEE ARCHITECTURAL FOR CURTAINWALL



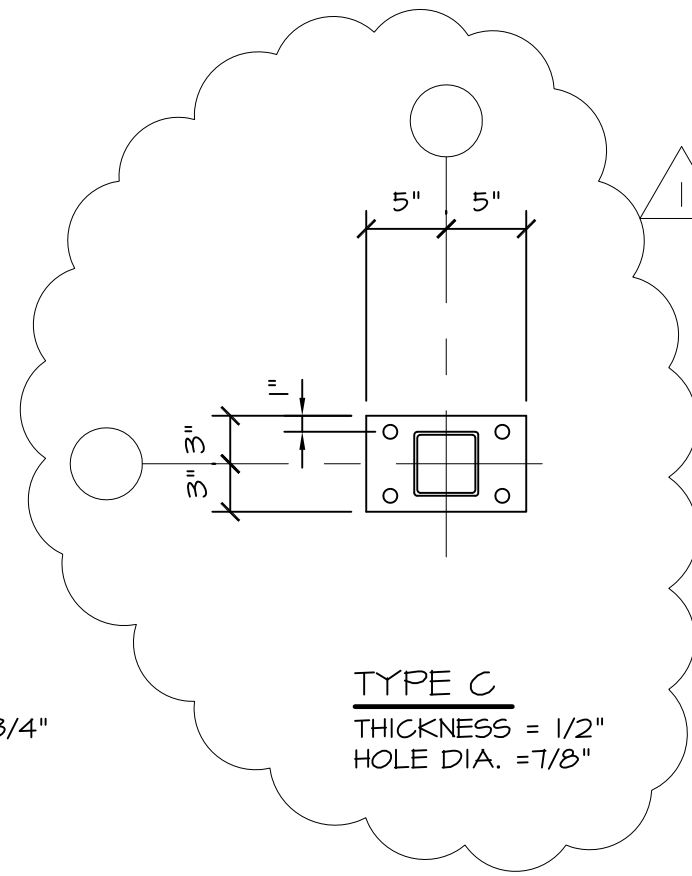
SECTION 2
1"=1'-0" S5 S6 S7
SEE ARCHITECTURAL FOR EXTERIOR WALL



TYPE A
THICKNESS = 1"



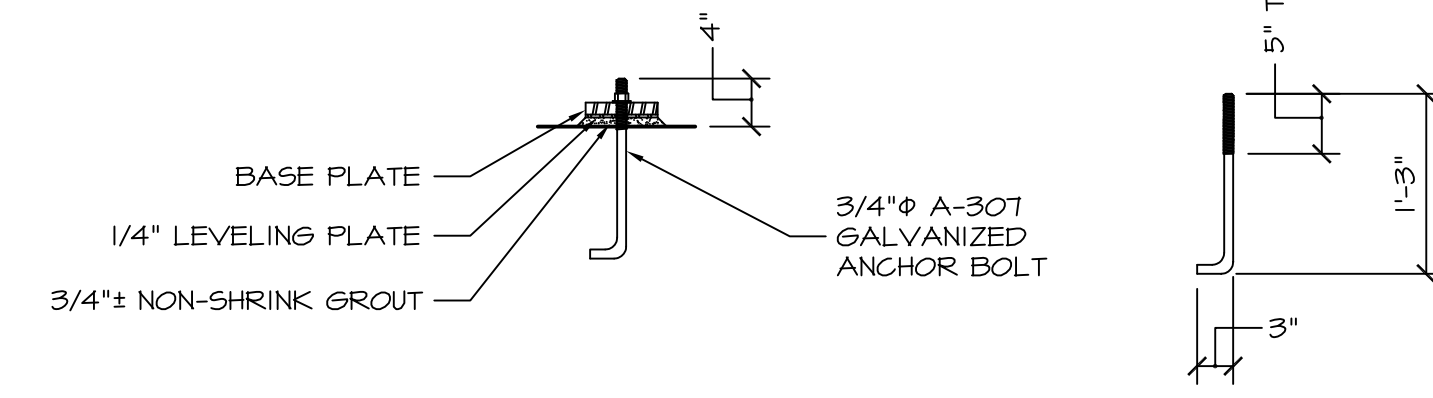
TYPE B
THICKNESS = 3/4"



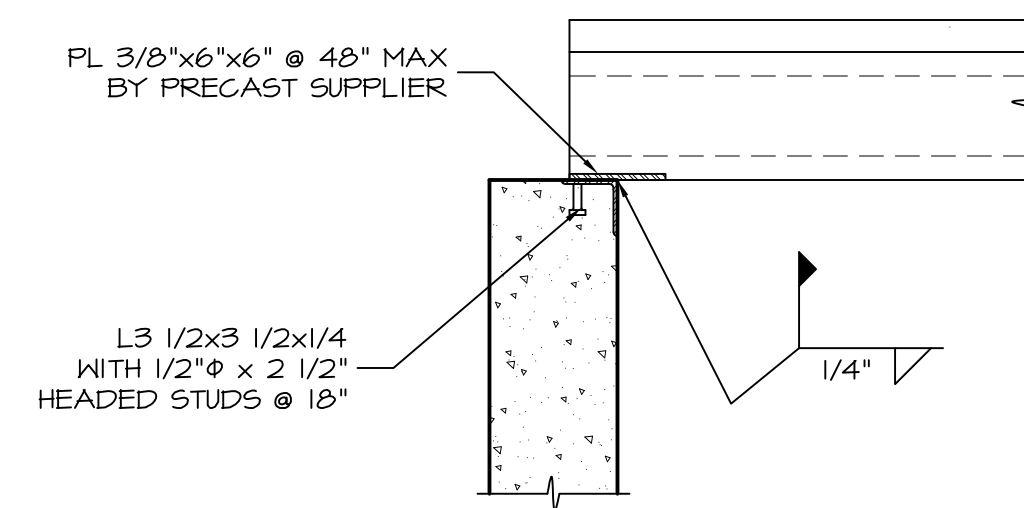
TYPE C
THICKNESS = 1/2"
HOLE DIA. = 1/8"

BASE PLATE DETAILS
1"=1'-0"

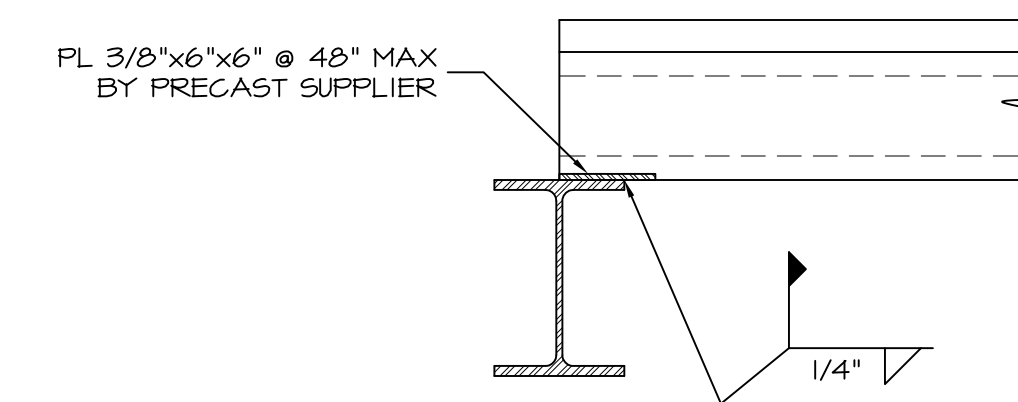
HOLE EDGE DISTANCE = 1 1/2" UNLESS NOTED.
HOLE DIA. = 1 1/16"



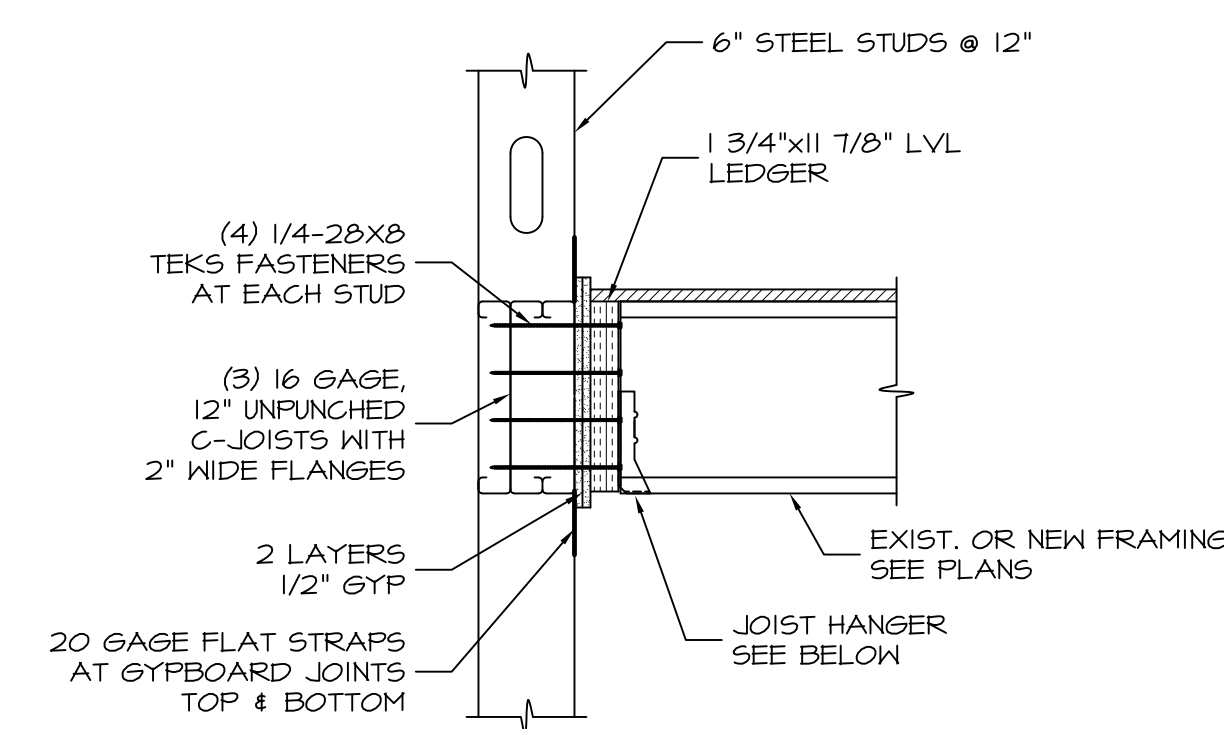
TYPICAL ANCHOR BOLT DETAILS
3/4"=1'-0"



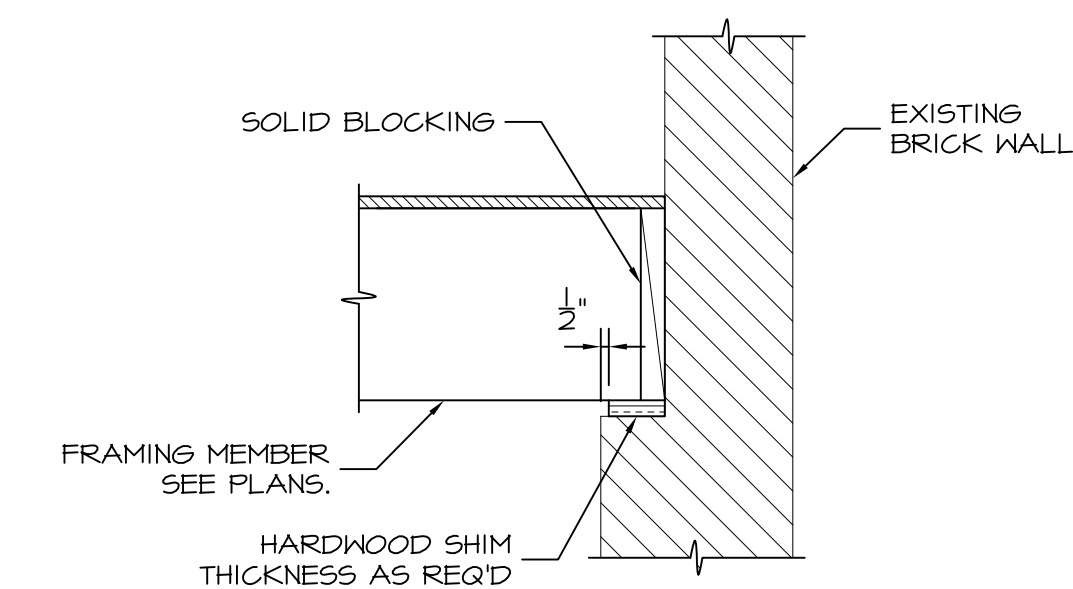
TYPICAL PLANK BEARING ON CONCRETE WALL
1"=1'-0"



TYPICAL PLANK BEARING ON STEEL BEAM
1"=1'-0"



TYPICAL CONNECTION AT STAIR/ELEV
1"=1'-0"
JOIST HANGERS:
EXIST 4x8 SIMPSON LU528-2 FIELD VERIFY ACTUAL WIDTH
EXIST 4x12 SIMPSON LU5210-2 FIELD VERIFY ACTUAL WIDTH
NEW 2x12 SIMPSON LU5210



TYPICAL DETAIL AT BRICK BEARING LEDGE
1"=1'-0"

STRUCTURAL DESIGN CONSULTING #
22 Oakmont Drive
Old Orchard Beach, ME
04064-4121
207.934.8038
Fax 207.934.8039

OWNER:

468 FORE STREET
REALTY LLC
FORE STREET
PORTLAND, ME 04101

ARCHETYPE, P.A.
ARCHITECTS

48 Union Wharf Portland, Maine 04101
(207) 772-6022 Fax (207) 772-4056

PORTLAND HARBOR
HOTEL ANNEX

FORE STREET
PORTLAND, MAINE

Project:

Revisions:
Pricing Set 100% - 17 Aug 2007
Addendum 1 - 31 Aug 2007

Scale

As Noted
Column Schedule
Framing Details

Date

17 Aug 2007

S9