

(GAR.)

NOTE: SOME EROSION OF SOIL & BARK IN THIS GENERAL AREA

PROPOSED NEW CONSTRUCTION

NOTE: IF EXISTING RHODODENDRON SHRUBS MAY BE TRANSPLANTED TO ADJACENT PLAZA (SEE KEY)

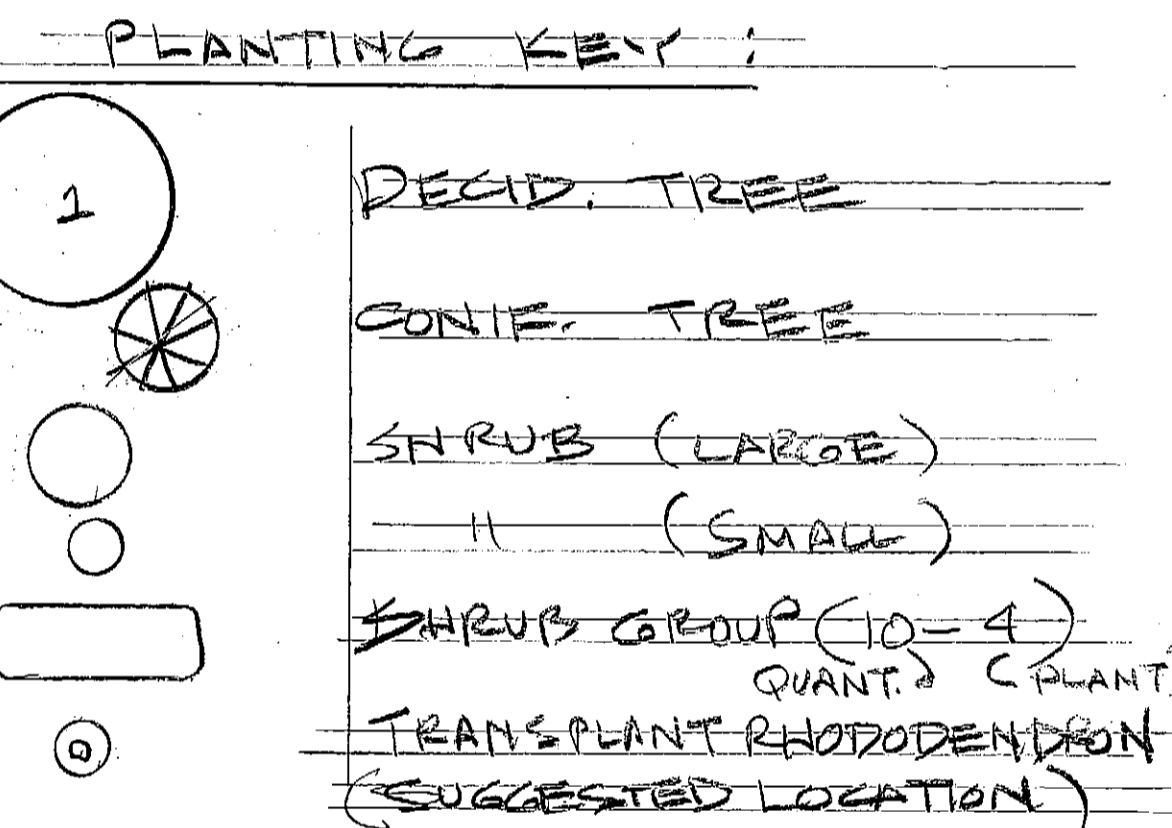
ANNEX (PROPOSED)

HARBOR PLAZA - EXISTING PLANTINGS:

NO.	PLANT TYPE	QUANTITY	BOT. NAME (OR APPROX.)
1	DECIDUOUS TREE	5	ORNAMENTAL PEAR (PYRUS)
2	CONIFERUS TREE	9	NORWAY SPRUCE (PICEA)
3	DECID. SHRUB	17	DWARF WINGED EUONYMUS
4	" "	44 (±)	CRANBERRY COTONEASTER
5	BROADLEAF SHRUB	14	CATAWBA RHODODENDRON VAR.
6	DECID. SHRUB	1	LATE LILAC (SYRINGA)
7	" "	8	VIBURNUM VAR.
8	BROADLEAF SHRUB	6	ANDROMEDA (PIETIA)
9	CONIF. SHRUB	37 (±)	BLUE RUG JUNIPER
10	DECID. SHRUB	8 (±)	HONEYSUCKLE VAR.

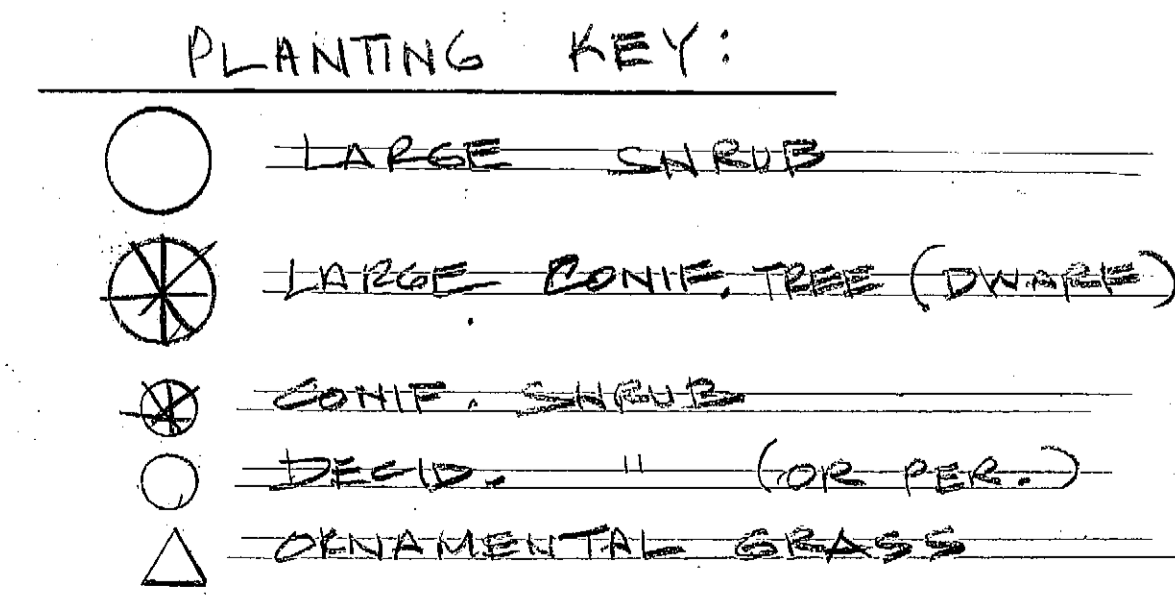
NOTE: LIST ABOVE IS AN INVENTORY OF EXISTING PLANTINGS TAKEN ON 8-14-07

PLAZA AREA  
SCALE: 1/8" = 1'-0"

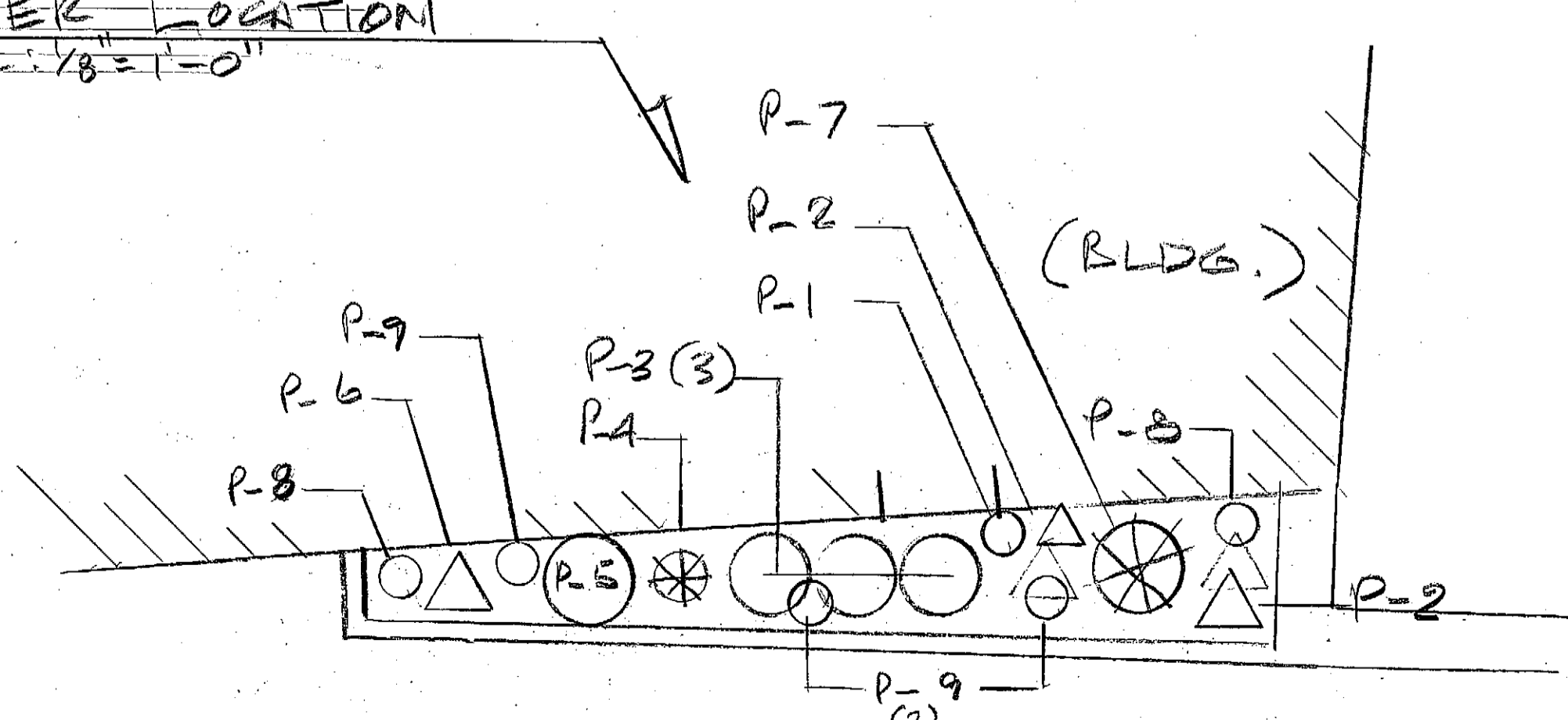


PLANT LIST FOR PLANTER:

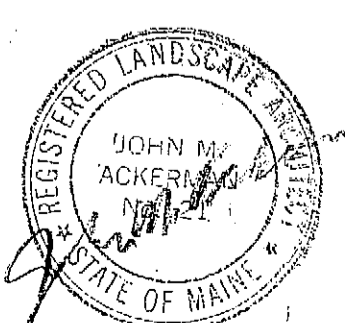
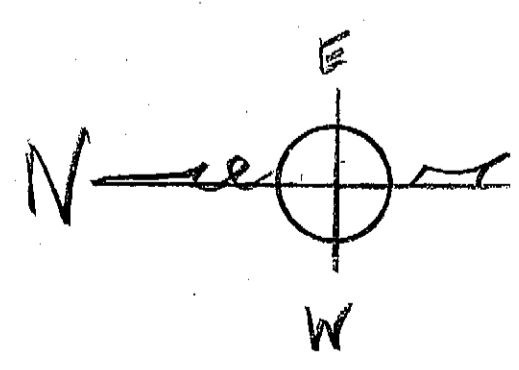
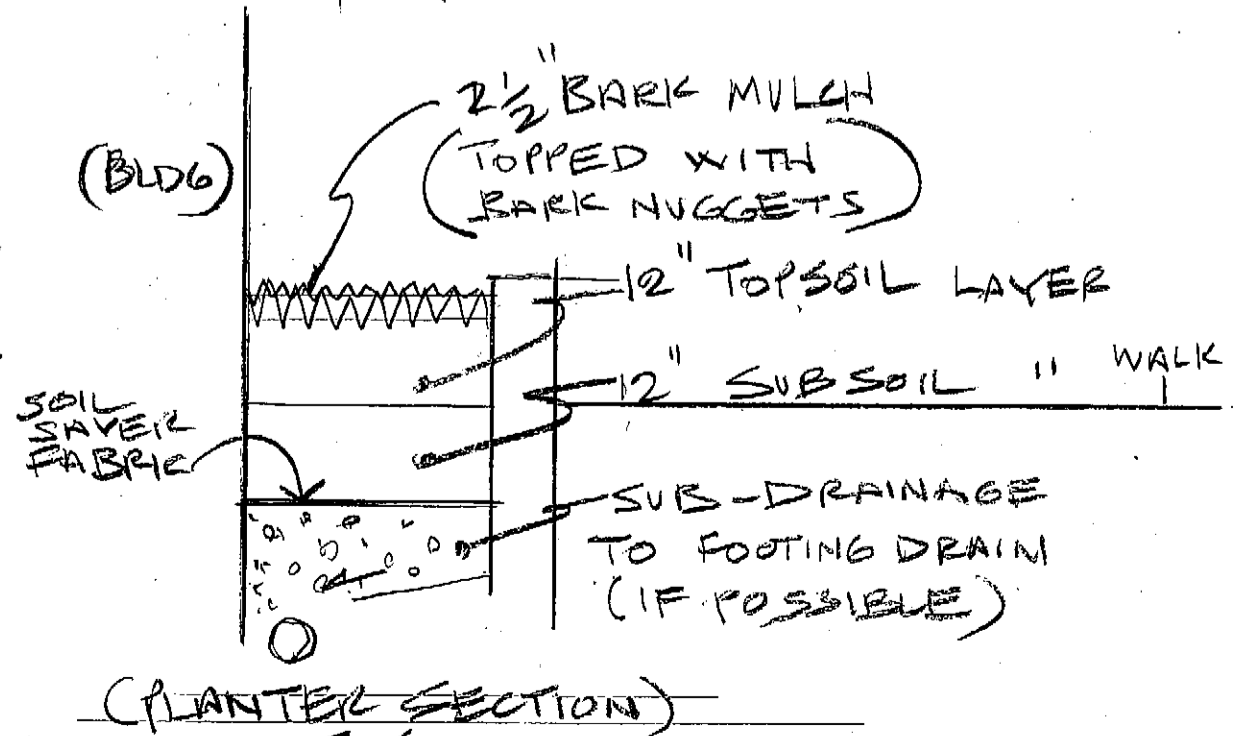
SYMB.	BOTANICAL NAME	COMMON NAME	QUANT.	NOTES
P-1	ARTEMESIA LUDVICIANA	WHITE SAGE	1	6" POT
P-2	CALAMAGROSTIS ARUNDINACEA	FEATHER REED GRASS	2	GAL. CONTAINER
P-3	CORNUS ALBA 'SIBERICA'	SIBERIAN DOGWOOD	3	10"-24" HT (CONT.)
P-4	JUNIPERUS HORIZONTALIS PROCEMBENS	CREEPING JUNIPER	1	12"-18" SPR. "
P-5	LIGUSTRUM OBTUSIFOLIUM REGELIANUM	REGEL PRIVET	1	2'-3" HT "
P-6	PHALARIS ARUNDINACEA 'PICTA'	WHITE STRIPED REED GRASS	1	GAL. CONTAINER
P-7	PICEA GLAUCA 'PENDULA'	WEeping WHITE SPRUCE	1	3'-6" HT B&B (SPECIMEN)
P-8	SEDUM SPP.	SEDUM	2	6" POT
P-9	SPIRAEA JAPONICA 'ALPINA'	DAPHNE SPIREA	3	10"-12" HT. (CONT.)



PLANTER LOCATION  
SCALE: 1/8" = 1'-0"



PLANTER PLANTING  
SCALE: 1/4" = 1'-0"



OWNER: 468 FORE STREET REALTY LLC  
 ARCHETYPE, P.A. ARCHITECTS  
 48 Union Wharf Portland, Maine 04101  
 (207) 772-6022 Fax (207) 772-4056  
 PORTLAND HARBOR HOTEL ANNEX  
 468-470 FORE STREET, PORTLAND, MAINE  
 Date: 17 August 2007  
 Scale: AS NOTED  
 Revisions: 17 August 2007  
 Date Set: 17 August 2007  
 Project: PORTLAND HARBOR HOTEL ANNEX  
 LANDSCAPE PLAN  
 L1.00