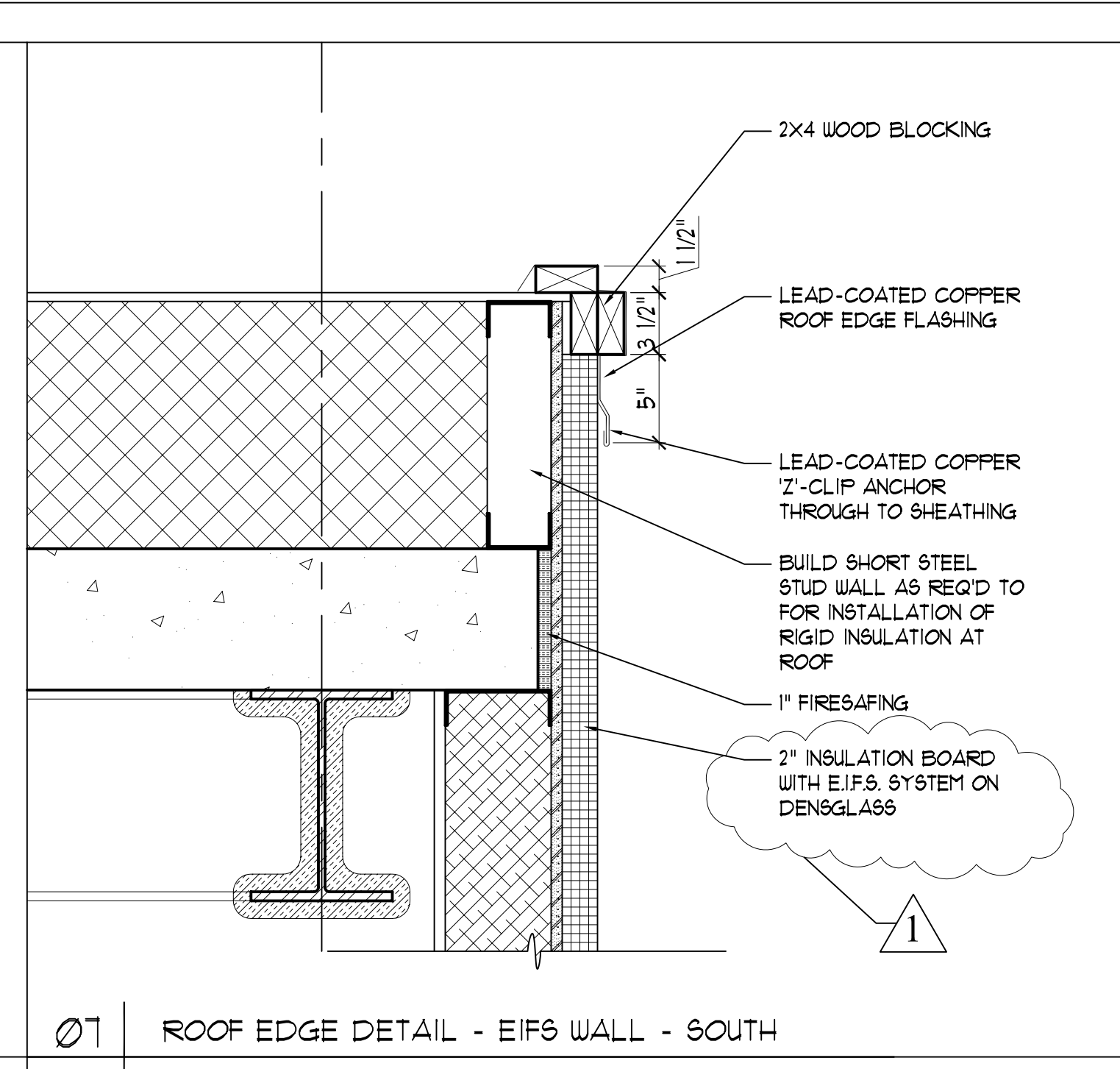
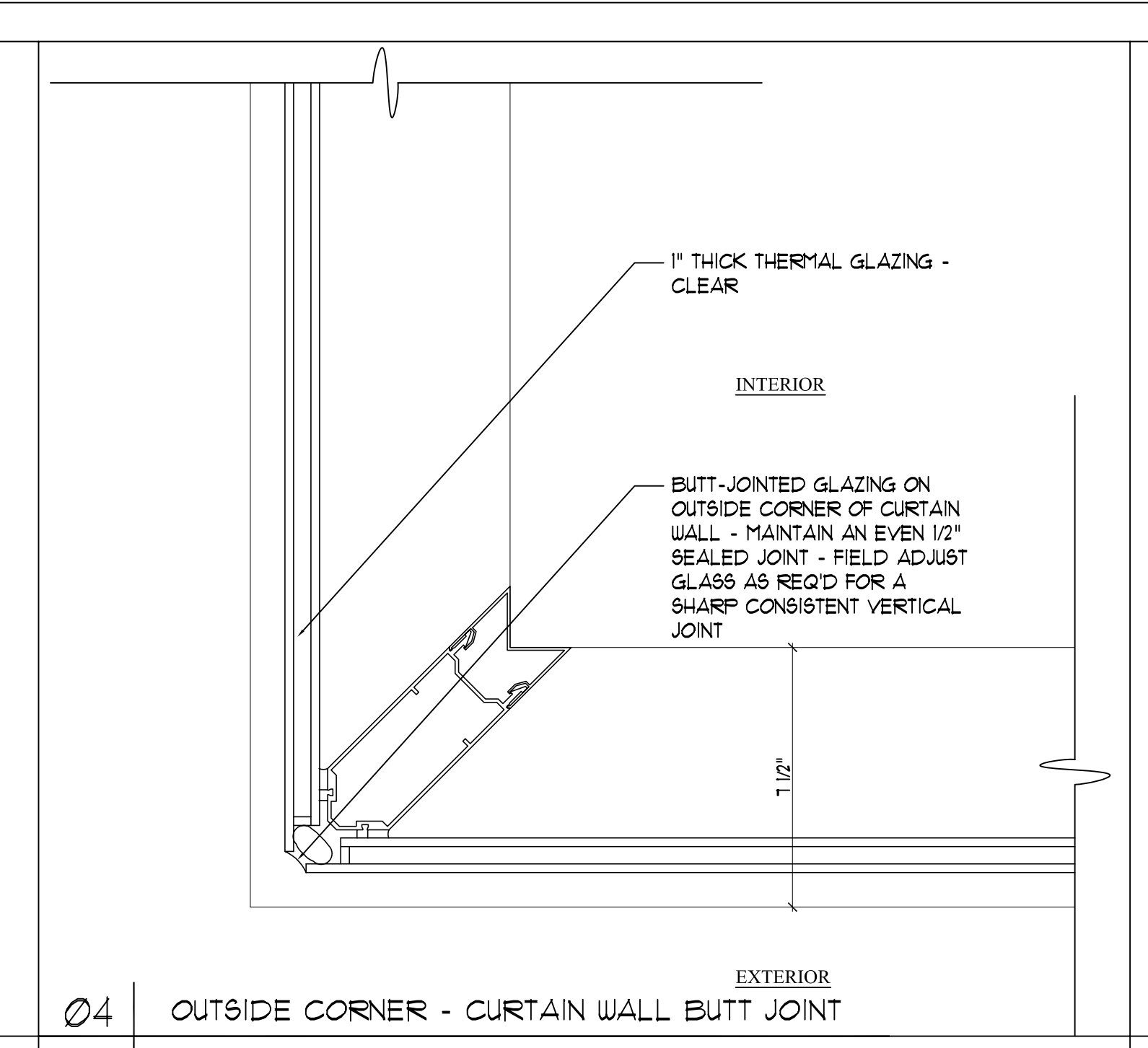


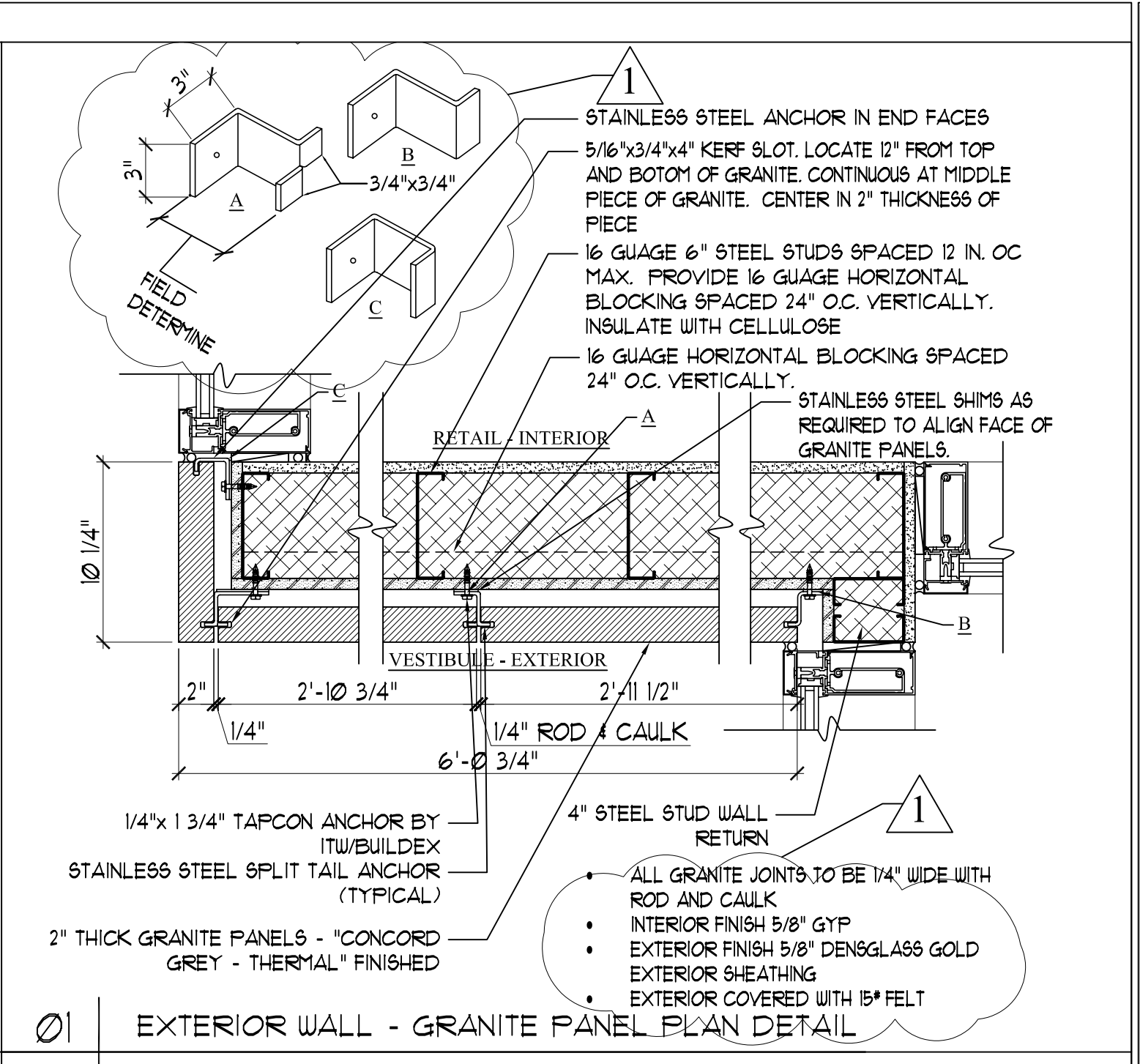
10 PLAN DETAIL - CURTAIN WALL/INTERIOR PARTITION INTERSECTION
SCALE: 3"=1'-0"



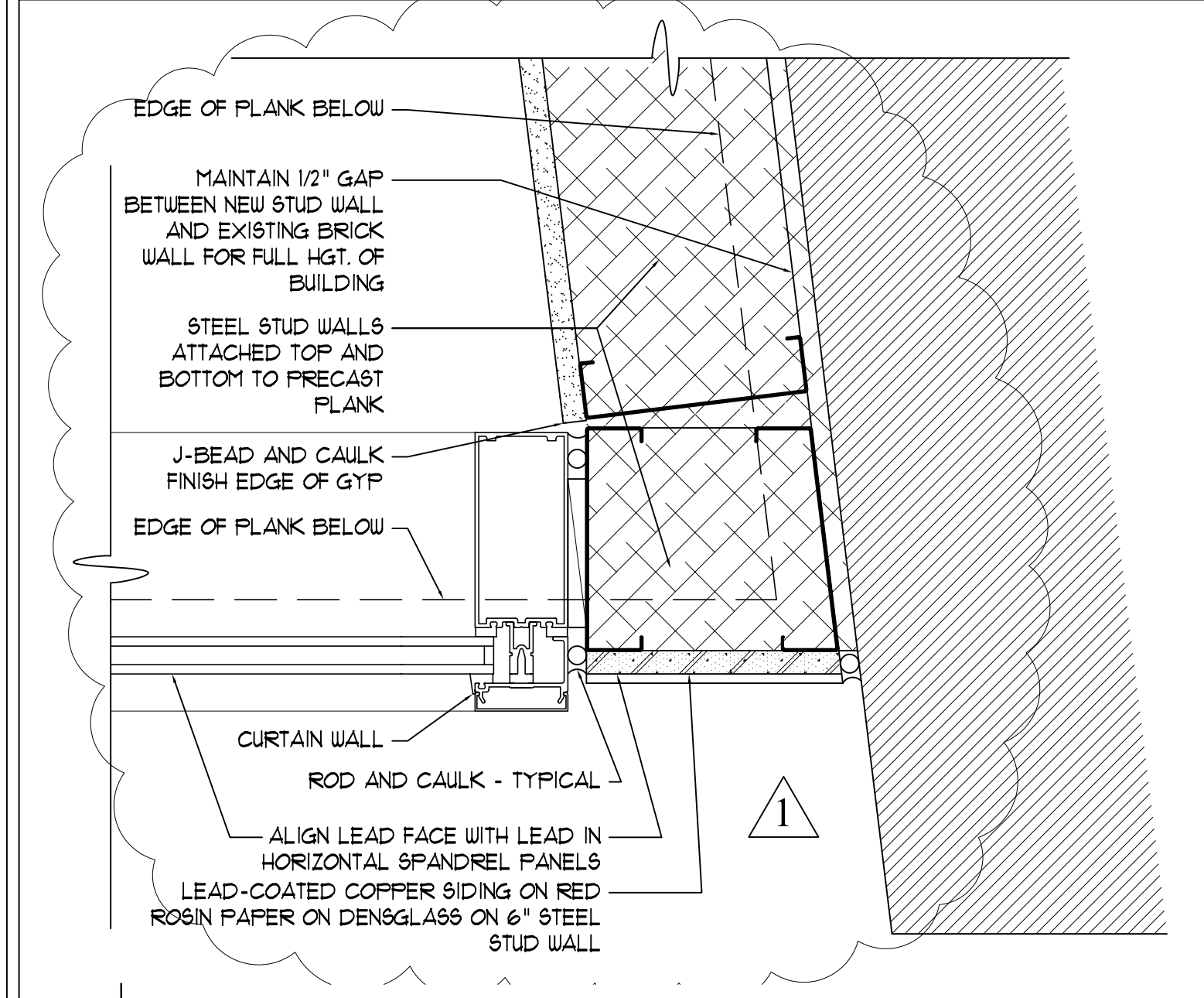
07 ROOF EDGE DETAIL - EIFS WALL - SOUTH
SCALE: 1 1/2"=1'-0"



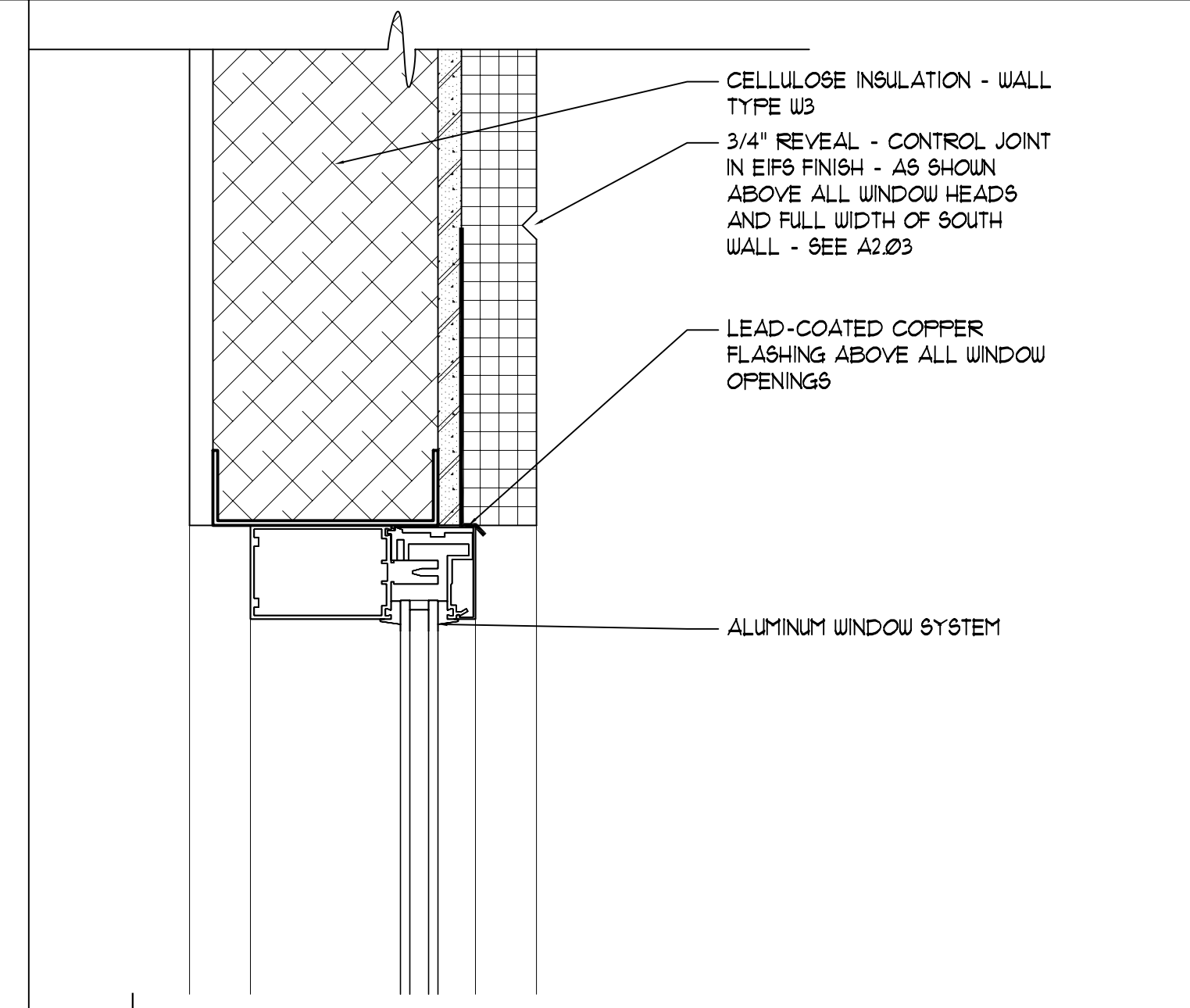
04 OUTSIDE CORNER - CURTAIN WALL BUTT JOINT
SCALE: 3"=1'-0"



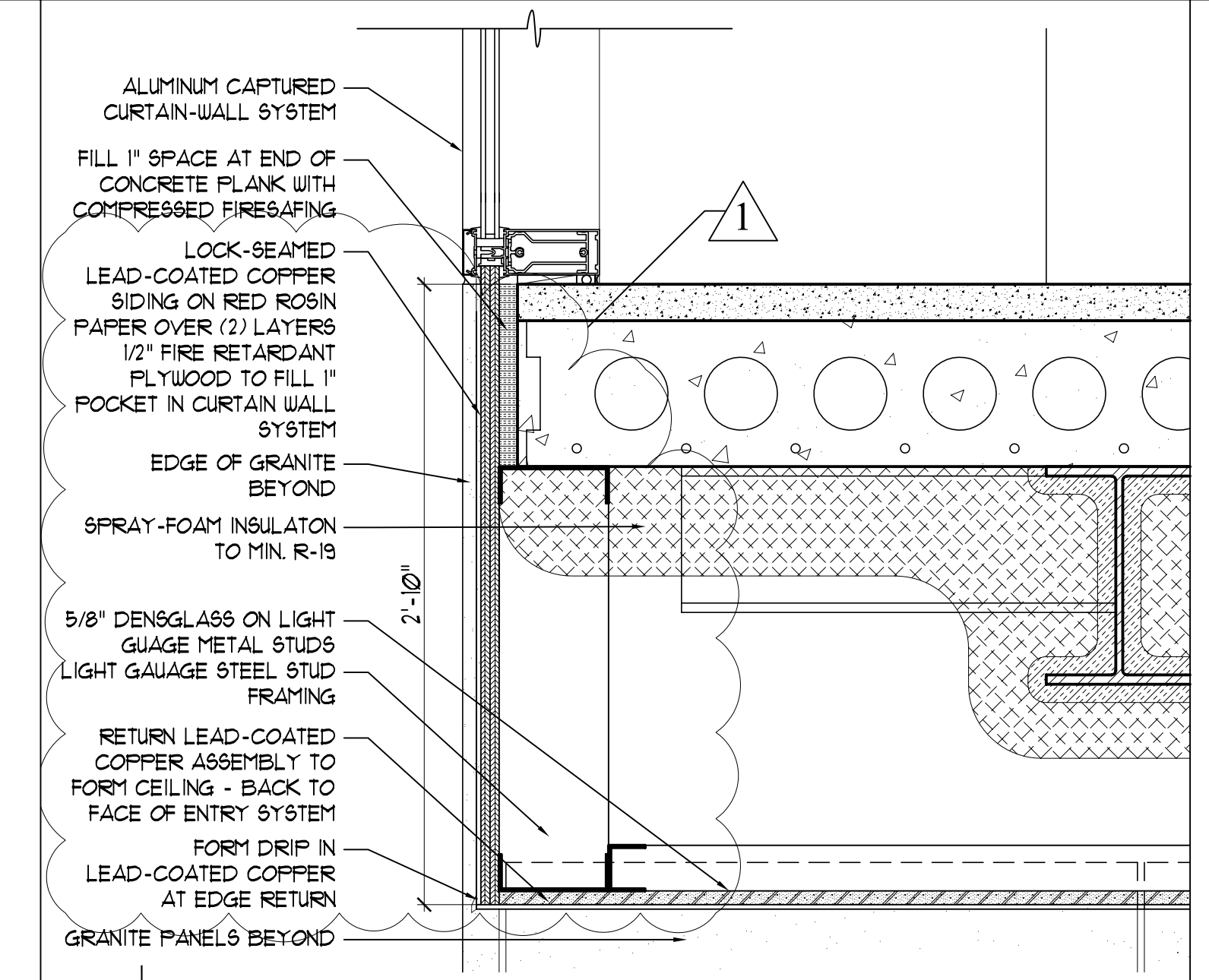
01 EXTERIOR WALL - GRANITE PANEL PLAN DETAIL
SCALE: 1 1/2"=1'-0"



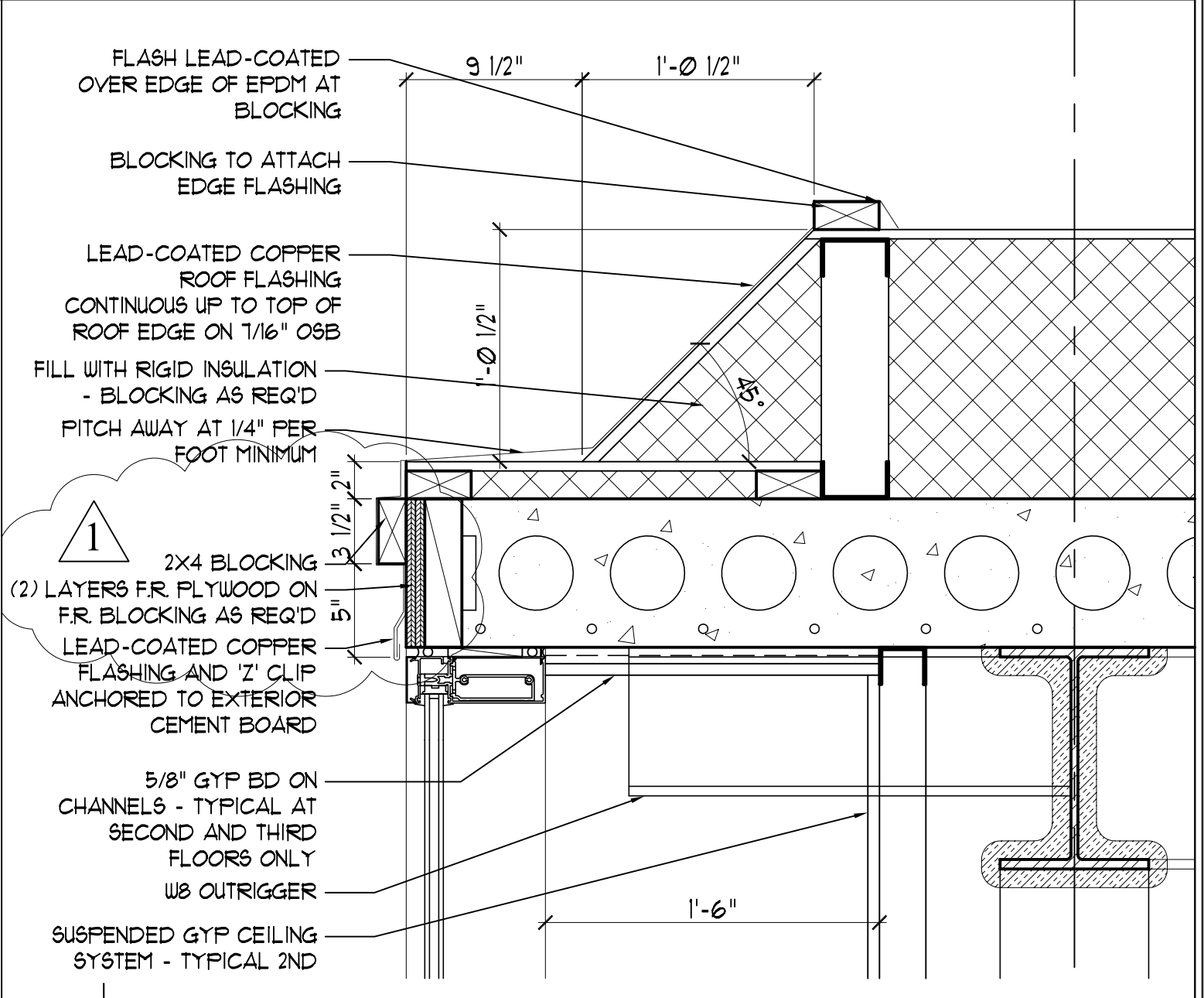
11 PLAN DETAIL - CURTAIN WALL END DETAIL AT BRICK WALL
SCALE: 3"=1'-0"



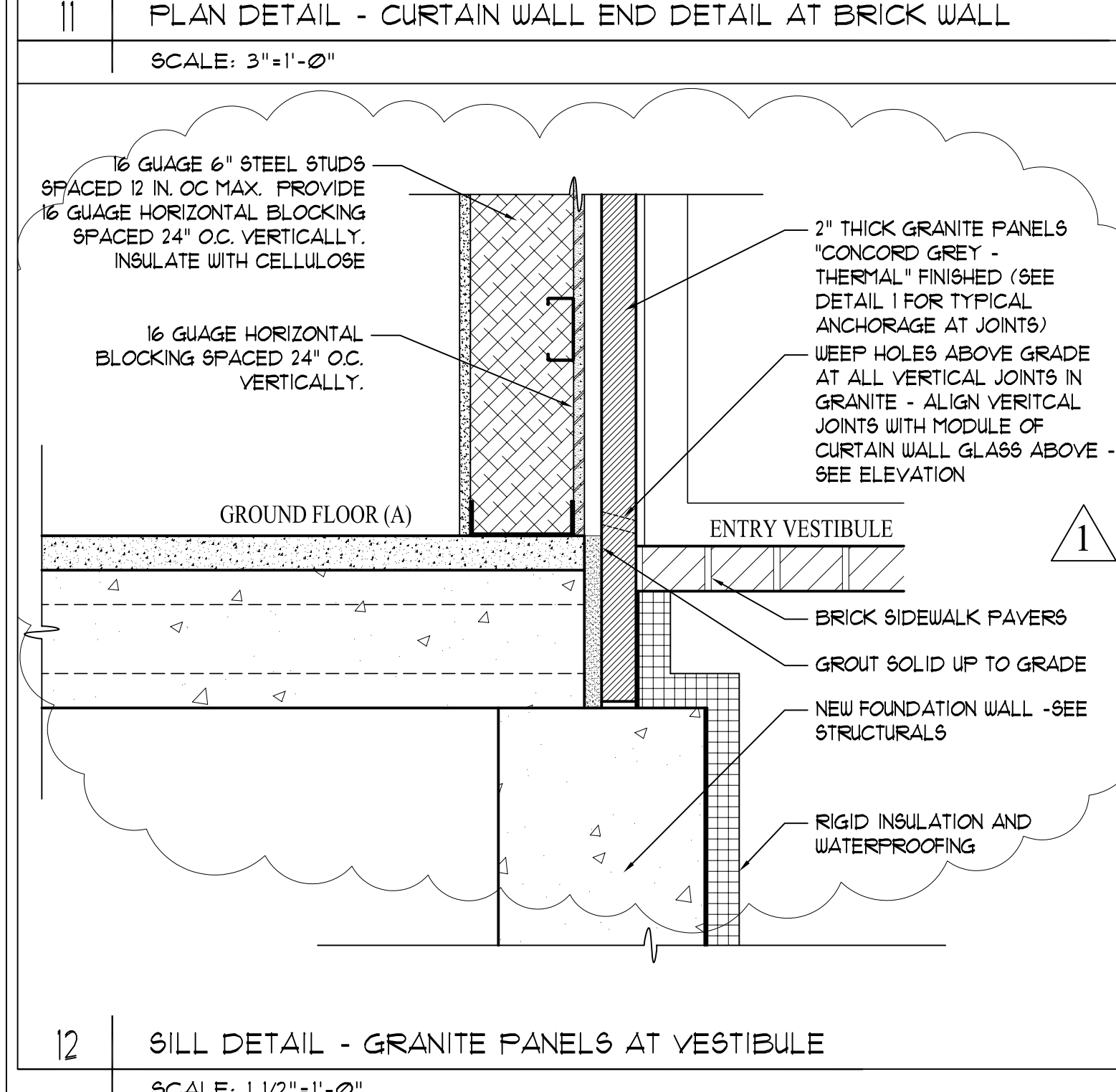
08 HEAD DETAIL - ALUMINUM WINDOW IN EIFS WALL
SCALE: 3"=1'-0"



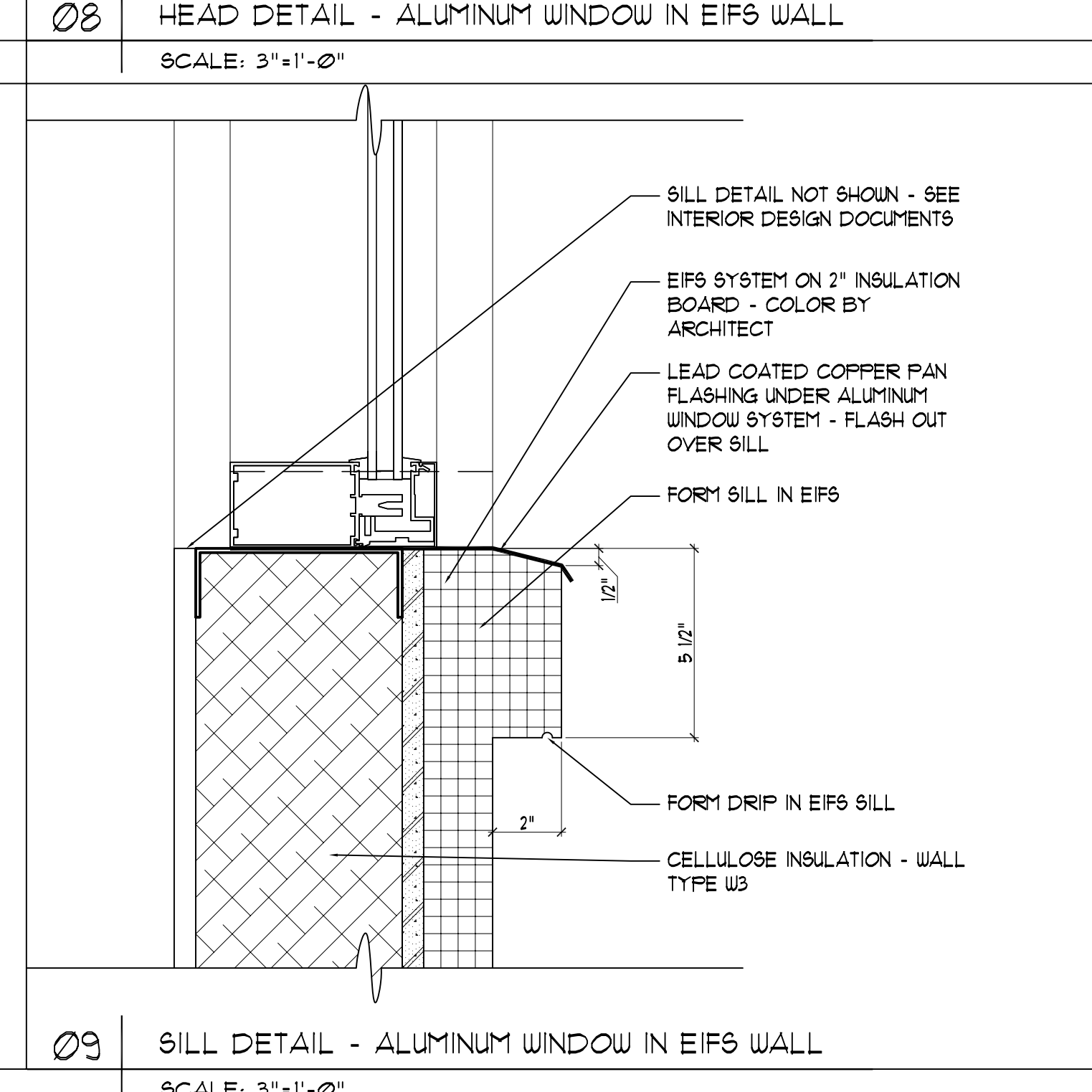
05 CEILING DETAIL - VESTIBULE ENTRY AT FORE ST
SCALE: 1 1/2"=1'-0"



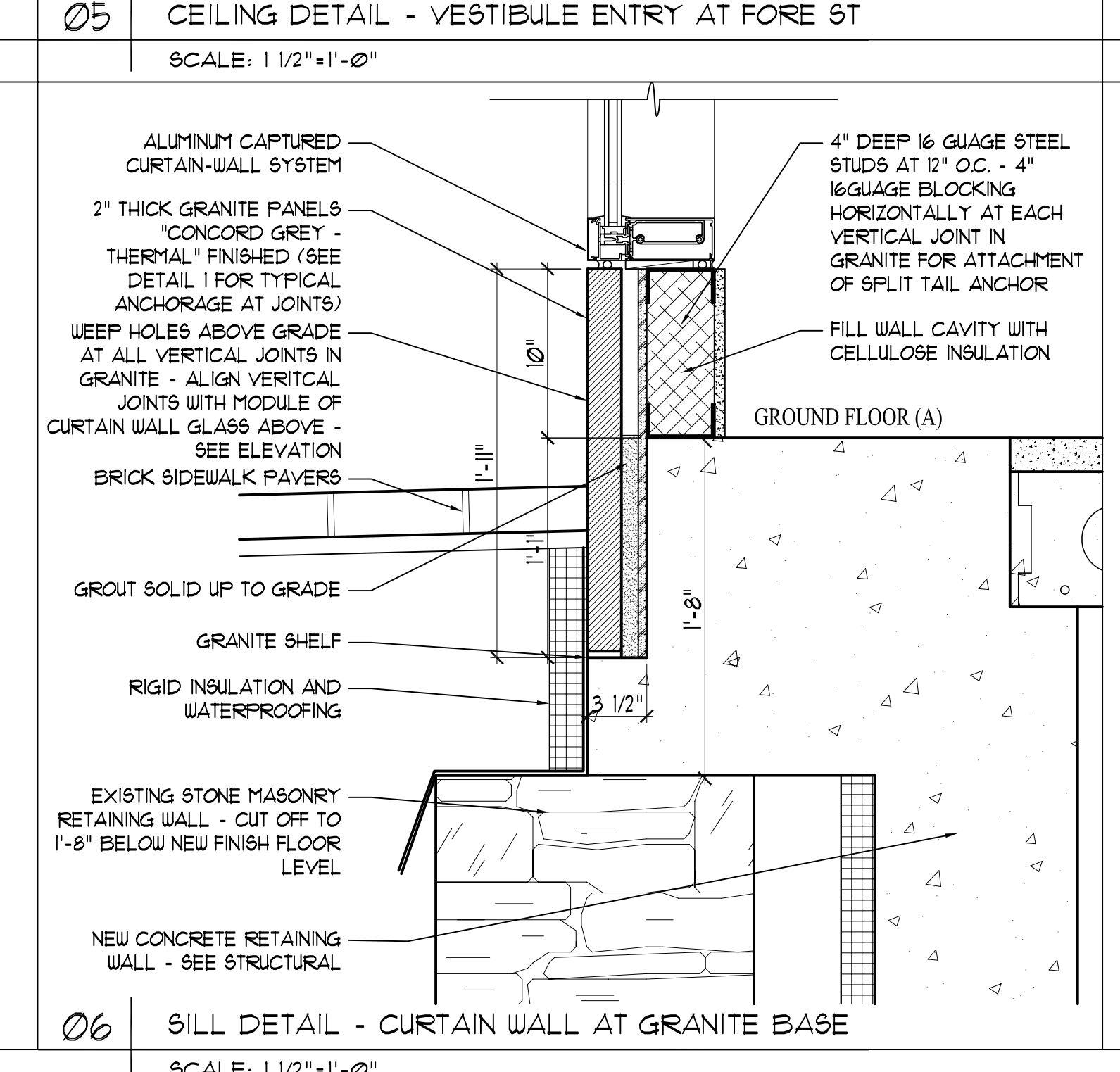
02 NORTH FACADE ROOF EDGE DETAIL
SCALE: 1 1/2"=1'-0"



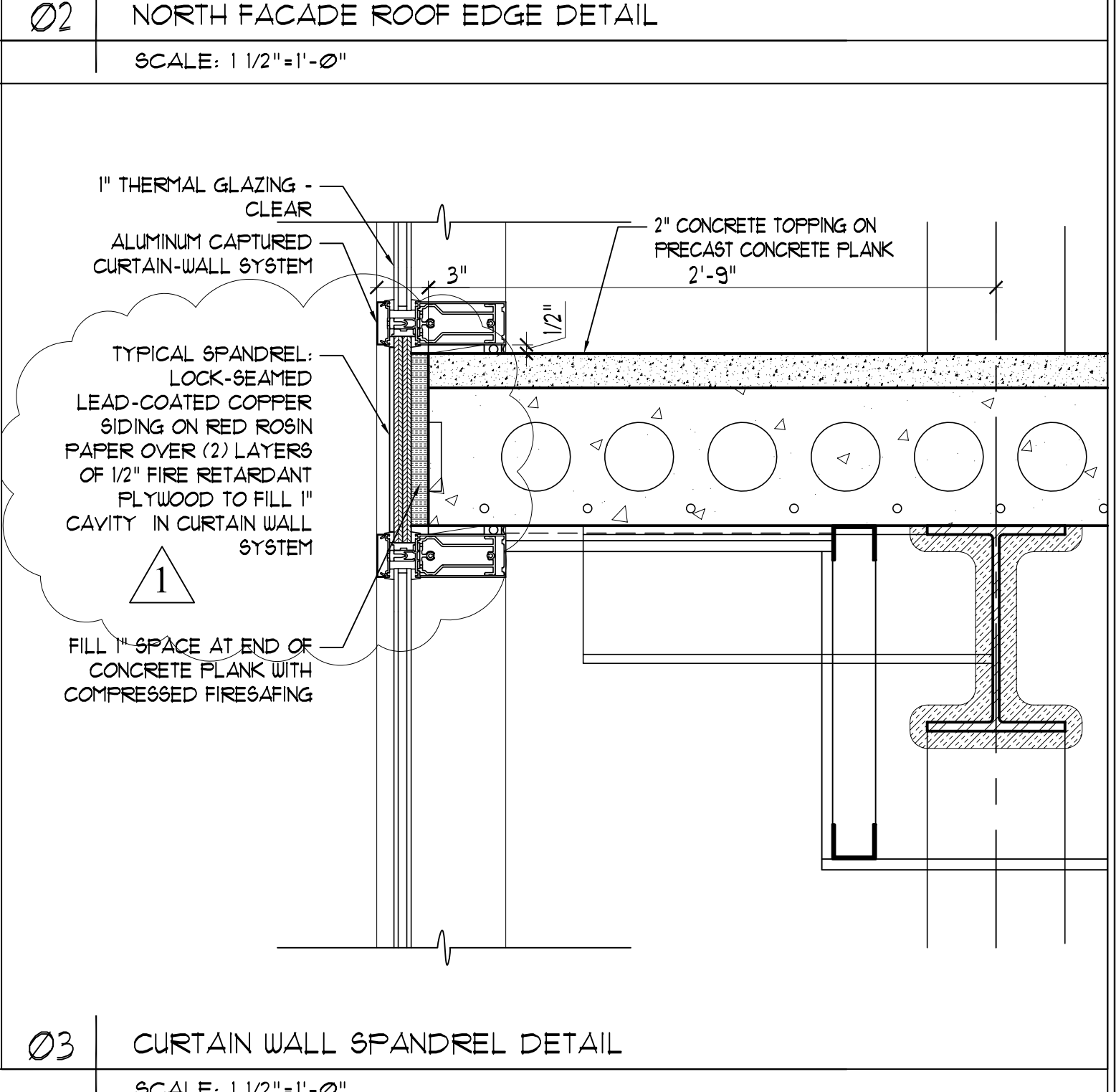
12 SILL DETAIL - GRANITE PANELS AT VESTIBULE
SCALE: 1 1/2"=1'-0"



09 SILL DETAIL - ALUMINUM WINDOW IN EIFS WALL
SCALE: 3"=1'-0"



06 SILL DETAIL - CURTAIN WALL AT GRANITE BASE
SCALE: 1 1/2"=1'-0"



03 CURTAIN WALL SPANDREL DETAIL
SCALE: 1 1/2"=1'-0"

OWNER: ARCHETYPE, P.A. ARCHITECTS
48 Union Wharf Portland, Maine 04101
(207) 772-6022 Fax (207) 772-4056

PROJECT: PORTLAND HARBOR HOTEL ANNEX
468-470 FORE STREET PORTLAND, MAINE

Revisions:
Bid Set - 17 August 2007
Addendum One - 31 August 2007

Date: 17 August 2007
Scale: VARIES

DETAILS

A5.03