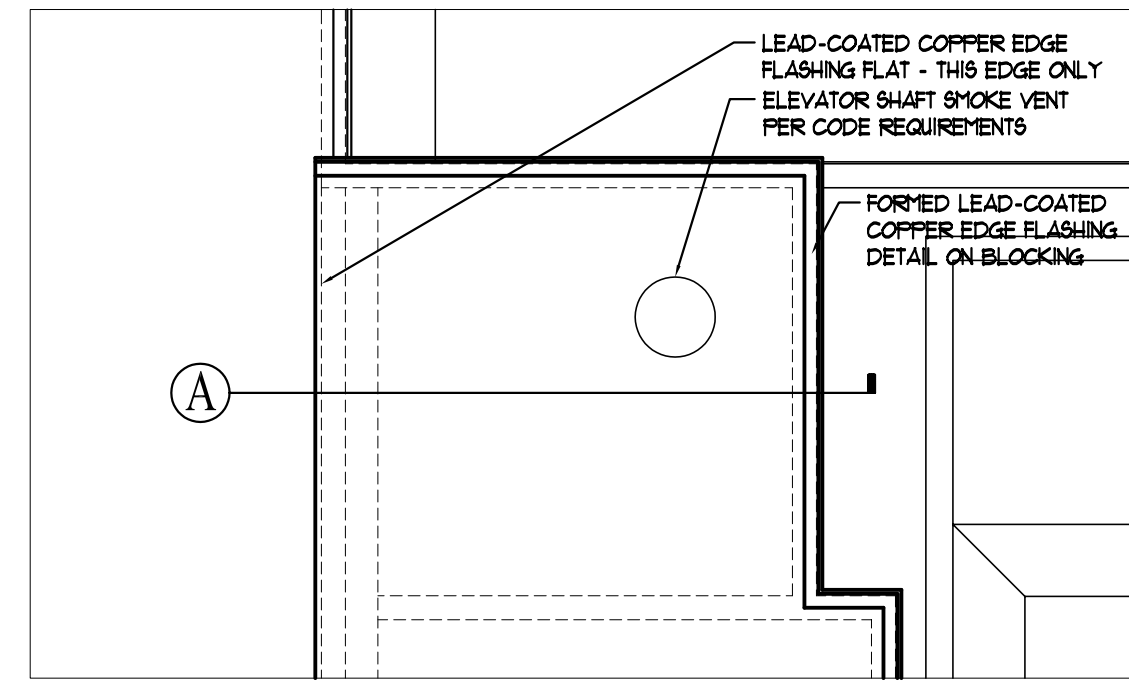
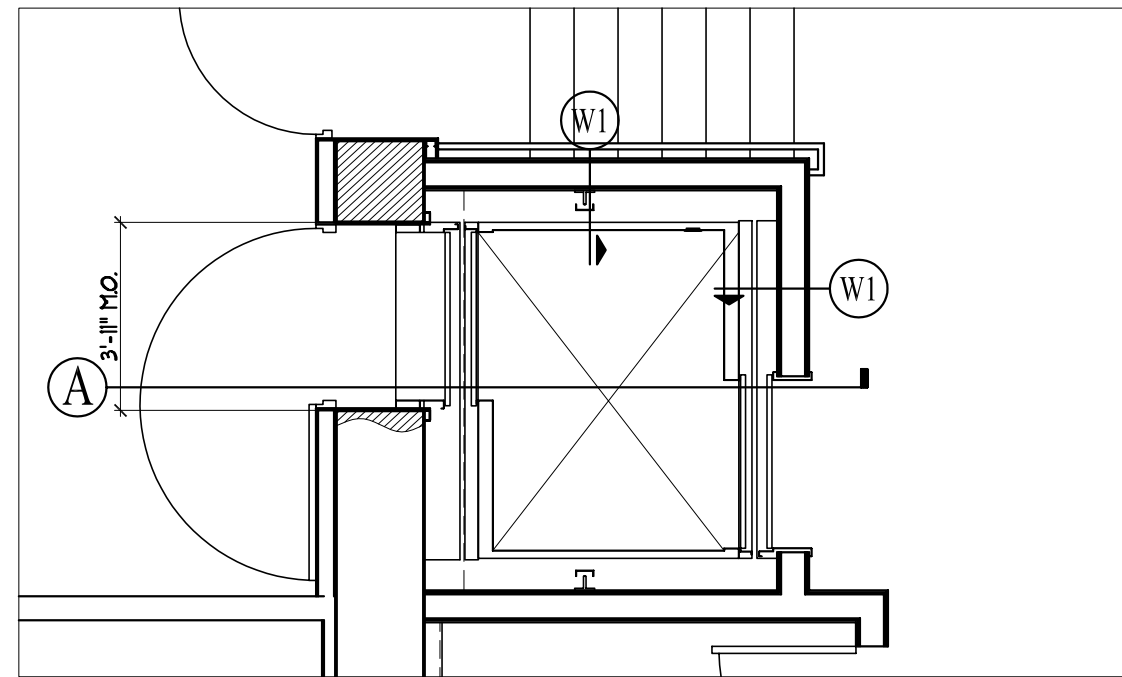


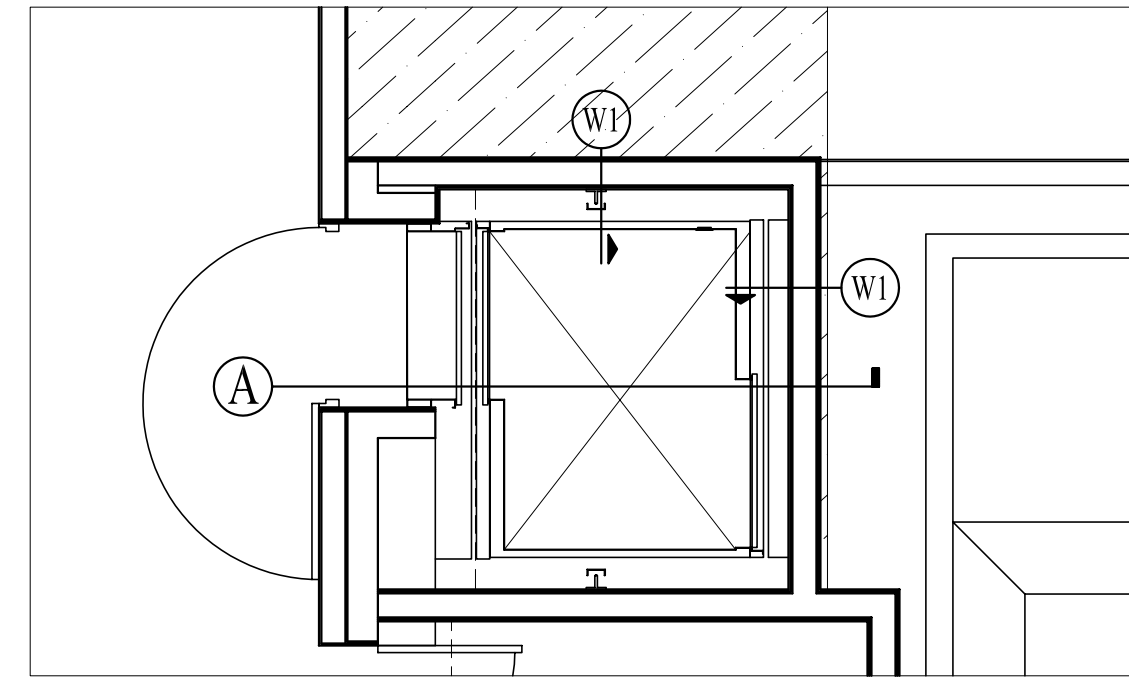
4 SECOND FLOOR ELEVATOR PLAN  
SCALE: 1/4" = 1'-0"



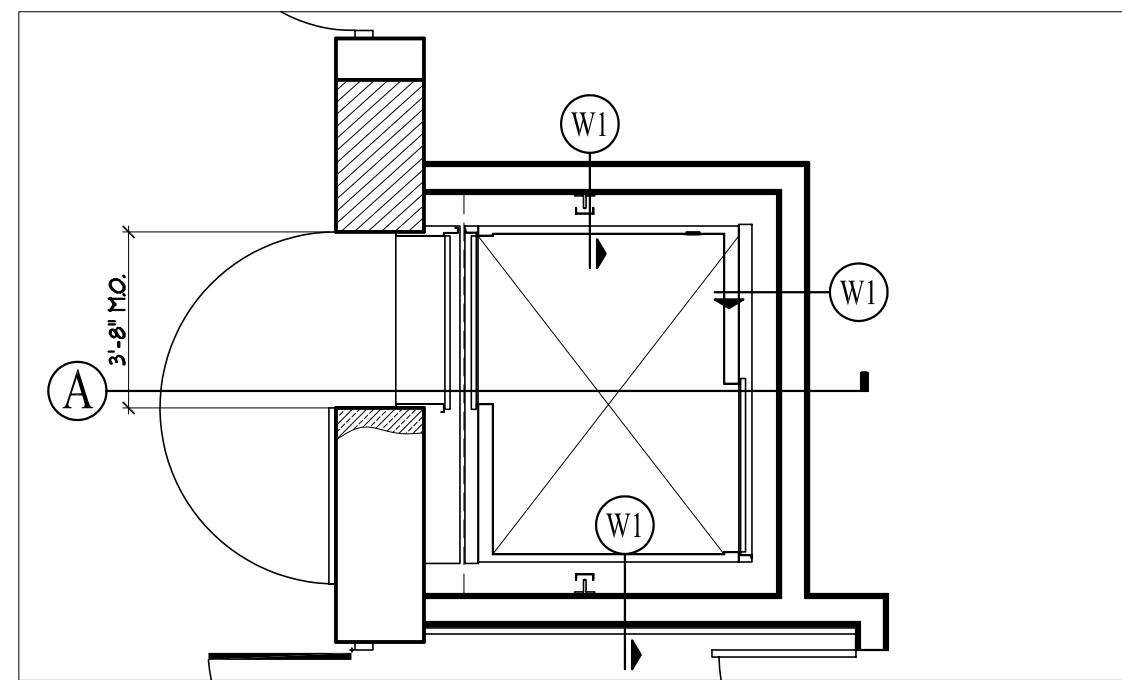
6 ELEVATOR ROOF PLAN  
SCALE: 1/4" = 1'-0"



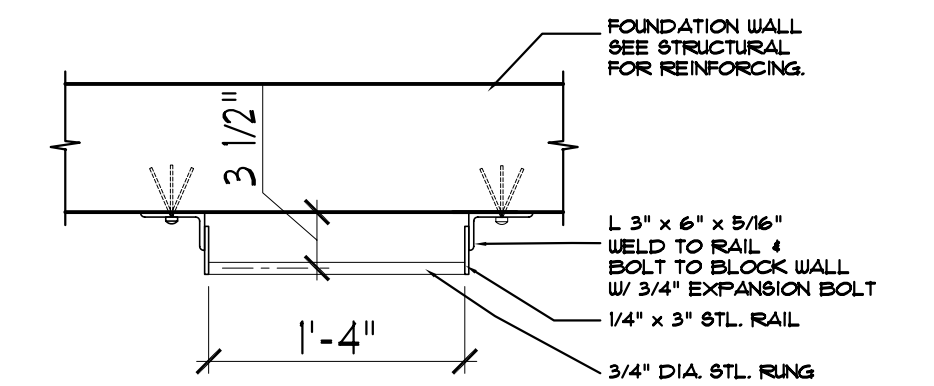
3 FIRST FLOOR ELEVATOR PLAN  
SCALE: 1/4" = 1'-0"



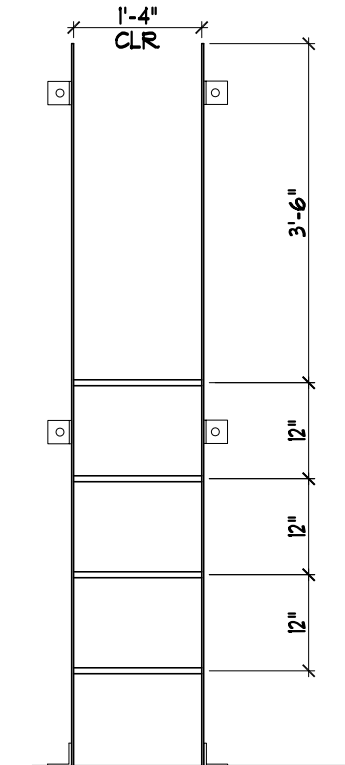
5 THIRD FLOOR ELEVATOR PLAN  
SCALE: 1/4" = 1'-0"



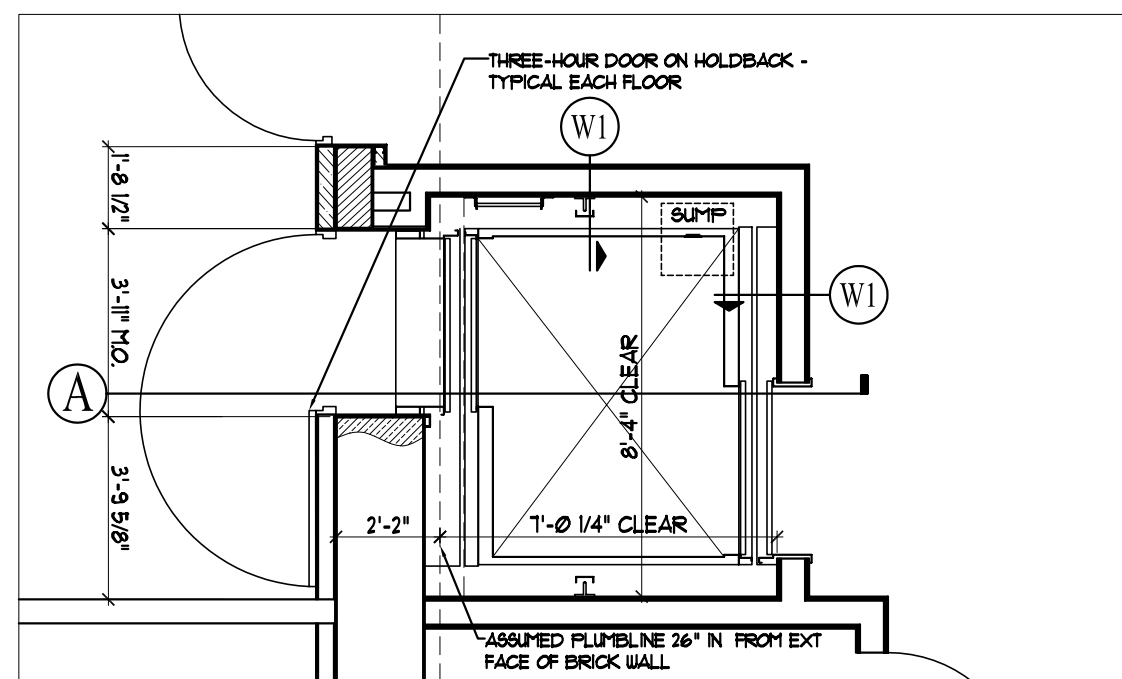
2 GROUND LEVEL ELEVATOR PLAN  
SCALE: 1/4" = 1'-0"



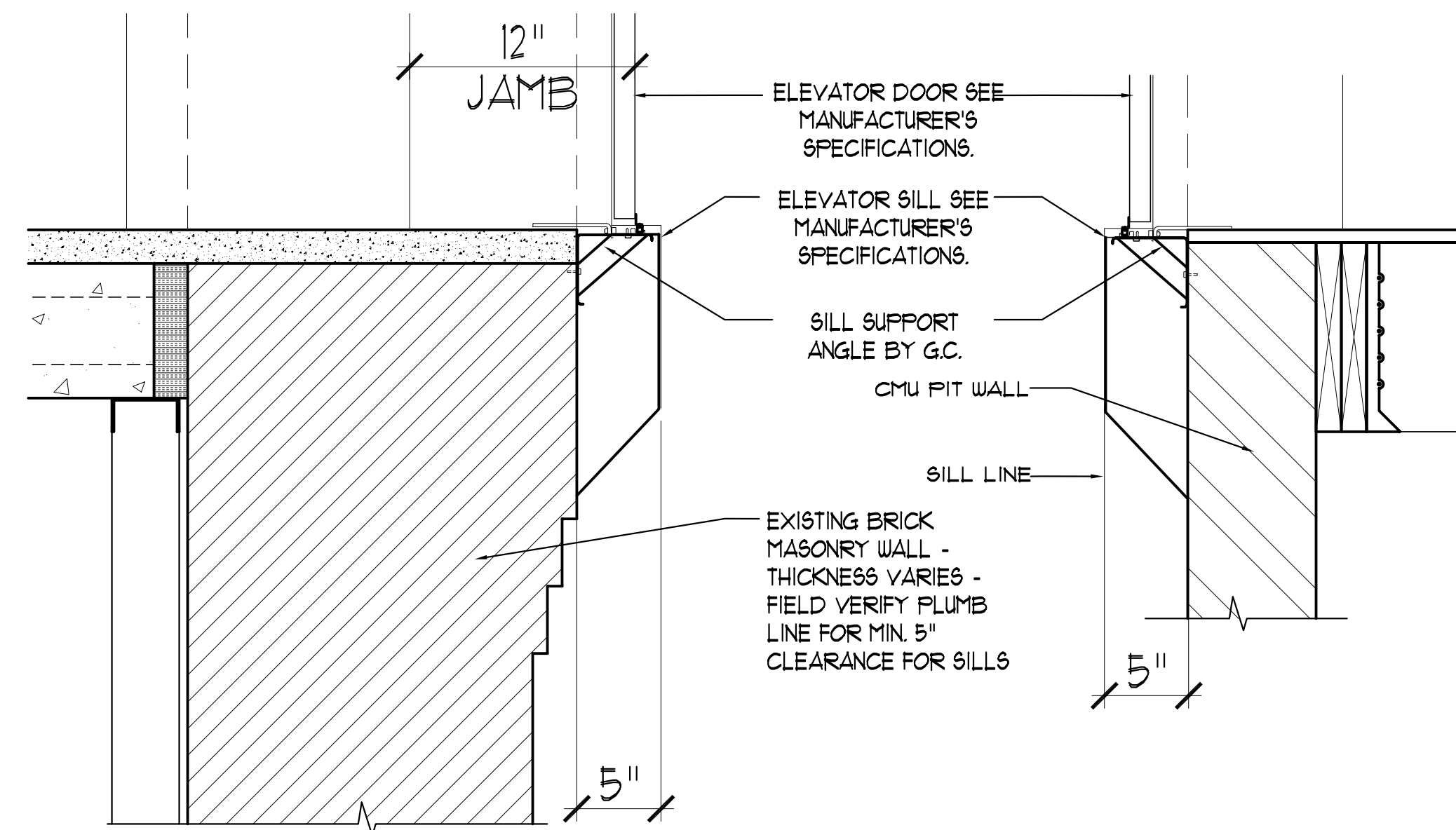
8 LADDER DETAIL  
SCALE: 1" = 1'-0"



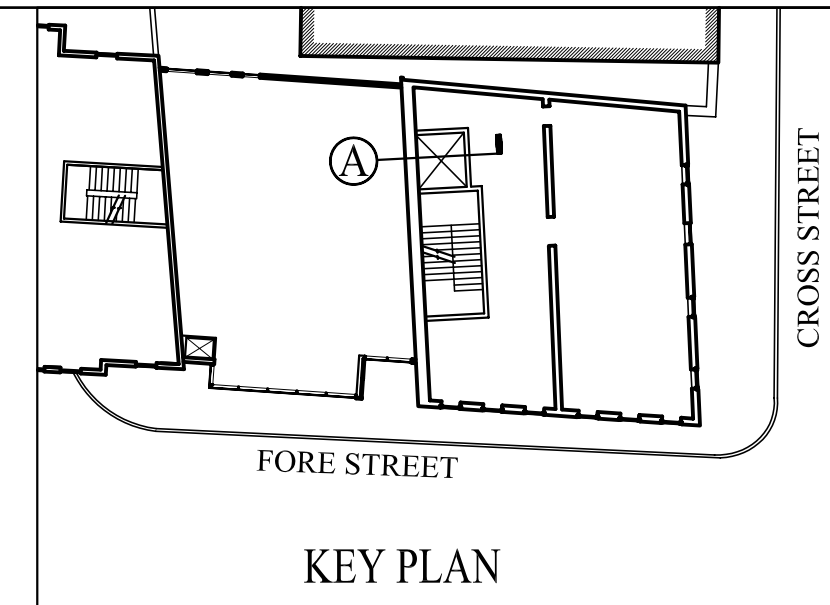
8 LADDER ELEVATION  
SCALE: 1/2" = 1'-0"



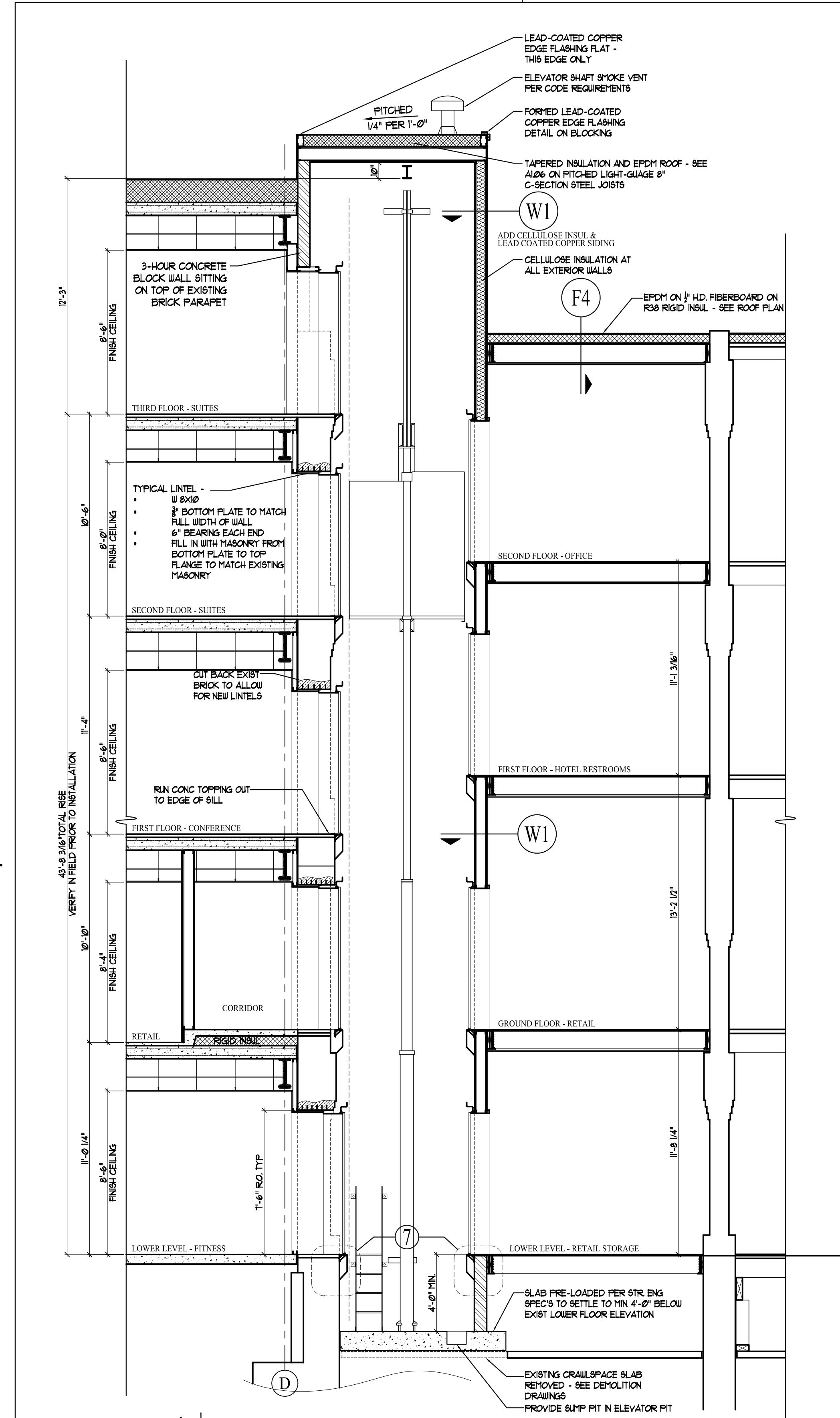
1 LOWER LEVEL ELEVATOR PLAN  
SCALE: 1/4" = 1'-0"



7 SILL DETAIL  
SCALE: 1 1/2" = 1'-0"



KEY PLAN



A ELEVATOR SECTION  
SCALE: 1/4" = 1'-0"

OWNER: 468 FORE STREET REALTY LLC FORE STREET PORTLAND, ME 04101	
ARCHETYPE, P.A. ARCHITECTS 48 Union Wharf Portland, Maine 04101 (207) 772-6022 Fax (207) 772-4056	
Project: PORTLAND HARBOR HOTEL ANNEX 468-470 FORE STREET PORTLAND, MAINE	
Revisions: Bid Set - 17 August 2007 Addendum One - 31 August 2007	Date 17 August 2007
Scale 1/4" = 1'-0"	
ELEVATOR SECTION AND DETAILS	
A3.21	