

DISPLAY THIS CARD ON PRINCIPAL FRONTAGE OF WORK

CITY OF PORTLAND

BUILDING INSPECTION

PERMIT

Permit Number: 090266

Please Read Application And Notes, If Any, Attached

This is to certify that MAINE EMPLOYERS' MUTUAL INSURANCE COMPANY/Hen

has permission to Install a type I hood system @ "The Salt Exchange"

AT 245 COMMERCIAL ST CBL 038 F006001

provided that the person or persons, firm or corporation accepting this permit shall comply with all of the provisions of the Statutes of Maine and of the Ordinances of the City of Portland regulating the construction, maintenance and use of buildings and structures, and of the application on file in this department.

Apply to Public Works for street line and grade if nature of work requires such information.

Notification of inspection must be given and written permission procured before this building or part thereof is lathed or otherwise closed-in. 24 HOUR NOTICE IS REQUIRED.

A certificate of occupancy must be procured by owner before this building or part thereof is occupied.

OTHER REQUIRED APPROVALS

Fire Dept. CAPT. K. Anderson

Health Dept. _____

Appeal Board _____

Other _____

Department Name

James Boule 5/14/09
Director - Building & Inspection Services

PENALTY FOR REMOVING THIS CARD

SCANNED



CITY OF PORTLAND, MAINE
Department of Building Inspections

Original Receipt

_____ 9 2 2007 _____

Received from _____ Power Plant 1.1 _____

Location of Work _____ 215 - ... _____

Cost of Construction \$ _____ Building Fee: _____

Permit Fee \$ _____ Site Fee: _____

Certificate of Occupancy Fee: _____

Total: 70 _____

Building (IL) _____ Plumbing (I5) _____ Electrical (I2) _____ Site Plan (U2) _____

Other _____ Lighting _____

CBL: 33 F-6 _____

Check #: _____ **Total Collected \$** 70 _____

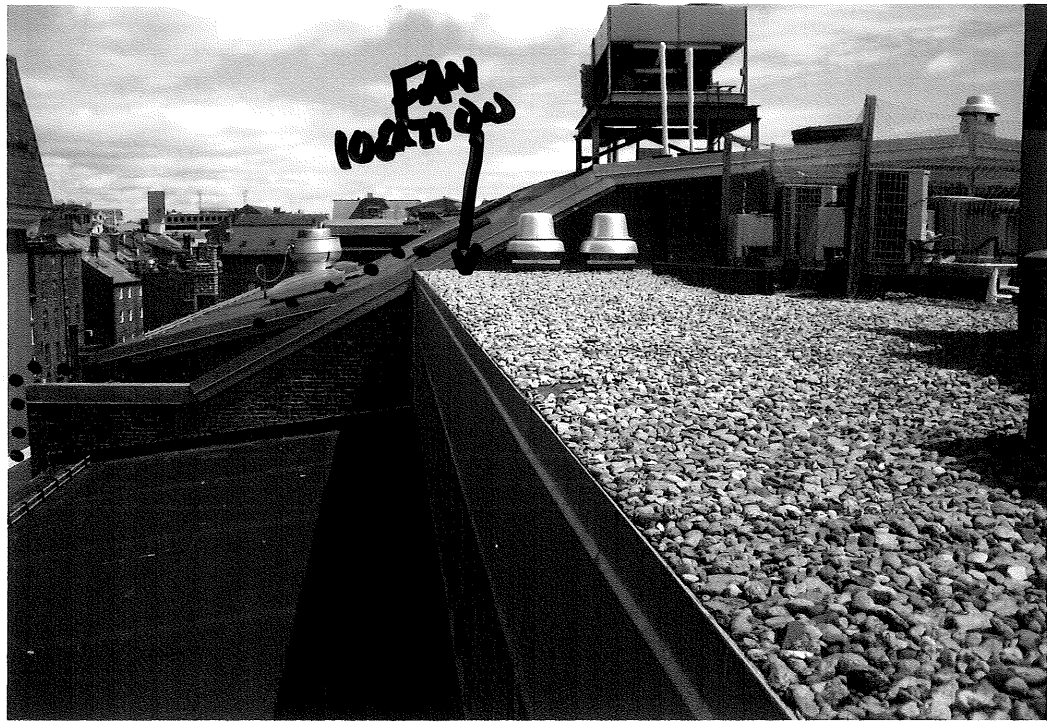
No work is to be started until permit issued.

If permit is Withdrawn or Denied, amount of the Refund is based on \$20.00 or 20% of the fee, (whichever is greater)

In order to receive a refund, you **MUST** present the Original Receipt.

Taken by: _____ [Signature] _____

WHITE - Applicant's Copy
YELLOW - Office Copy
PINK - Permit Copy









City of Portland, Maine - Building or Use Permit Application

389 Congress Street, 04101 Tel: (207) 874-8703, Fax: (207) 874-8716

Permit No: 09-0266	Issue Date:	CBL: 038 F006001
-----------------------	-------------	---------------------

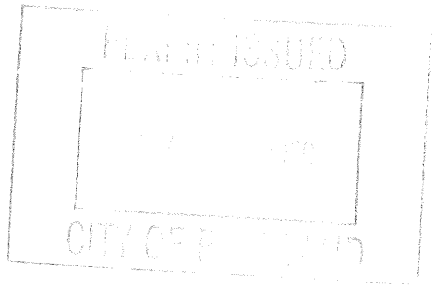
Location of Construction: 245 COMMERCIAL ST	Owner Name: MAINE EMPLOYERS' MUTUAL I	Owner Address: PO BOX 11409	Phone:
Business Name:	Contractor Name: Henckel Design and Fabrication /Pet	Contractor Address: 134 Hartley Street Portland	Phone 2073 182623
Lessee/Buyer's Name	Phone:	Permit Type: Hood Systems, Commerical	Zone: B-3

Past Use: Commercial- "The Salt Exchange"	Proposed Use: Commercial- "The Salt Exchange" - Install a type 1 hood system @ "The Salt Exchange" <i>use allowed under #09-0218</i>	Permit Fee:	Cost of Work: \$4,780.00	CEO District: 1
		FIRE DEPT: <input checked="" type="checkbox"/> Approved <input type="checkbox"/> Denied *See Conditions	INSPECTION: Use Group: A-2 Type: Type 1 Hood IMC 2003	

Proposed Project Description: Install a type 1 hood system @ "The Salt Exchange"	Signature: <i>(KC)</i>	Signature: <i>AMB 5/14/09</i>
PEDESTRIAN ACTIVITIES DISTRICT (P.A.D.)		
Action: <input type="checkbox"/> Approved <input type="checkbox"/> Approved w/Conditions <input type="checkbox"/> Denied		
Signature: _____ Date: _____		

Permit Taken By: Ldobson	Date Applied For: 04/02/2009	Zoning Approval	
-----------------------------	---------------------------------	------------------------	--

<p>1. This permit application does not preclude the Applicant(s) from meeting applicable State and Federal Rules.</p> <p>2. Building permits do not include plumbing, septic or electrical work.</p> <p>3. Building permits are void if work is not started within six (6) months of the date of issuance. False information may invalidate a building permit and stop all work..</p>	<p>Special Zone or Reviews</p> <p><input type="checkbox"/> Shoreland</p> <p><input type="checkbox"/> Wetland</p> <p><input type="checkbox"/> Flood Zone</p> <p><input type="checkbox"/> Subdivision</p> <p><input type="checkbox"/> Site Plan</p> <p>Maj <input type="checkbox"/> Minor <input type="checkbox"/> MM <input type="checkbox"/></p> <p><i>ok with conditions</i></p> <p>Date: <i>4/2/09</i></p>	<p>Zoning Appeal</p> <p><input type="checkbox"/> Variance</p> <p><input type="checkbox"/> Miscellaneous</p> <p><input type="checkbox"/> Conditional Use</p> <p><input type="checkbox"/> Interpretation</p> <p><input type="checkbox"/> Approved</p> <p><input type="checkbox"/> Denied</p>	<p>Historic Preservation</p> <p><input type="checkbox"/> Not in District or Landmark</p> <p><input type="checkbox"/> Does Not Require Review</p> <p><input type="checkbox"/> Requires Review</p> <p><input checked="" type="checkbox"/> Approved</p> <p><input type="checkbox"/> Approved w/Conditions</p> <p><input type="checkbox"/> Denied</p> <p>Date: <i>5/13/09</i></p> <p><i>To Andrews</i></p>
---	---	---	---



CERTIFICATION

I hereby certify that I am the owner of record of the named property, or that the proposed work is authorized by the owner of record and that I have been authorized by the owner to make this application as his authorized agent and I agree to conform to all applicable laws of this jurisdiction. In addition, if a permit for work described in the application is issued, I certify that the code official's authorized representative shall have the authority to enter all areas covered by such permit at any reasonable hour to enforce the provision of the code(s) applicable to such permit.

SIGNATURE OF APPLICANT	ADDRESS	DATE	PHONE
RESPONSIBLE PERSON IN CHARGE OF WORK, TITLE		DATE	PHONE

City of Portland, Maine - Building or Use Permit

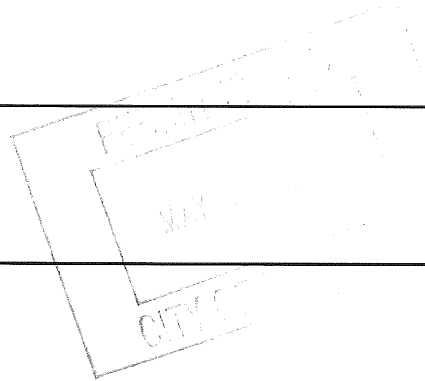
389 Congress Street, 04101 Tel: (207) 874-8703, Fax: (207) 874-8716

Permit No: 09-0266	Date Applied For: 04/02/2009	CBL: 038 F006001
-----------------------	---------------------------------	---------------------

Location of Construction: 245 COMMERCIAL ST	Owner Name: MAINE EMPLOYERS' MUTUAL I	Owner Address: PO BOX 11409	Phone:
Business Name:	Contractor Name: Henckel Design and Fabrication /Pet	Contractor Address: 134 Hartley Street Portland	Phone (207) 318-2623
Lessee/Buyer's Name	Phone:	Permit Type: Hood Systems, Commerical	

Proposed Use: Commercial- "The Salt Exchange" - Install a type 1 hood system @ "The Salt Exchange"	Proposed Project Description: Install a type 1 hood system @ "The Salt Exchange"
--	---

Dept: Historic	Status: Approved	Reviewer: Deborah Andrews	Approval Date: 05/13/2009
Note:			Ok to Issue: <input checked="" type="checkbox"/>
Dept: Zoning	Status: Approved	Reviewer: Marge Schmuckal	Approval Date: 04/02/2009
Note: use allowed under #09-0218			Ok to Issue: <input checked="" type="checkbox"/>
1) Separate permits shall be required for any new signage.			
2) This permit is being approved on the basis of plans submitted. Any deviations shall require a separate approval before starting that work.			
Dept: Building	Status: Approved with Conditions	Reviewer: Jeanine Bourke	Approval Date: 05/14/2009
Note:			Ok to Issue: <input checked="" type="checkbox"/>
1) Equipment must be installed in compliance per the manufacturer's specifications			
2) The Hood shall be installed per IMC 2003 and NFPA 96 This permit is approved based on the plans submitted and updated for reductions in the cleaances based on the application of a UL approved fire wrap or equivalent assembly per code.			
3) Permit approved based on the plans submitted and reviewed w/owner/contractor, with additional information as agreed on and as noted on plans.			
Dept: Fire	Status: Approved with Conditions	Reviewer: Capt Keith Gautreau	Approval Date: 05/14/2009
Note:			Ok to Issue: <input checked="" type="checkbox"/>
1) Install shall comply with all manufacture's specifications.			
2) Install shall comply with NFPA 96. A compliance letter is required			



Comments:
4/8/2009-jmb: Emailed Pete H. This info: on the exit of the duct to the roof exhaust. a view showing min. 10' from other openings. is the air intake on the roof as well? a photo of the rear wall in relation to the alleyway would be beneficial. section showing the dimension of the top of the hood to the combustible ceiling
4/7/2009-jmb: Deb A. Needed more info and we do as well, she gave the permit back to building
4/16/2009-jmb: Routed back to Deb in historic

Location of Construction: 245 COMMERCIAL ST	Owner Name: MAINE EMPLOYERS' MUTUAL I	Owner Address: PO BOX 11409	Phone:
Business Name:	Contractor Name: Henckel Design and Fabrication /Pet	Contractor Address: 134 Hartley Street Portland	Phone (207) 318-2623
Lessee/Buyer's Name	Phone:	Permit Type: Hood Systems, Commerical	

4/24/2009-sth: Met with Pete Henckel at 245 Commercial about the venting. We agreed that it should come out through the plywood panel above the double doors (probably originally a transom), jog to the right and then turn up on the pier between the windows, step out around the cornice and run 20' back on the roof to terminate. They were proposing to come out through a double hung window and brick up the opening. I think this is a much better solution, and further back from Union St. He will be submitting a final drawing and photos of existing conditons next week.

4/30/2009-jmb: Pete H. Submitted details, I emailed Deb A. To inform so we can discuss if plans are consistent with historic requirements they suggested. Deb would like photo details.

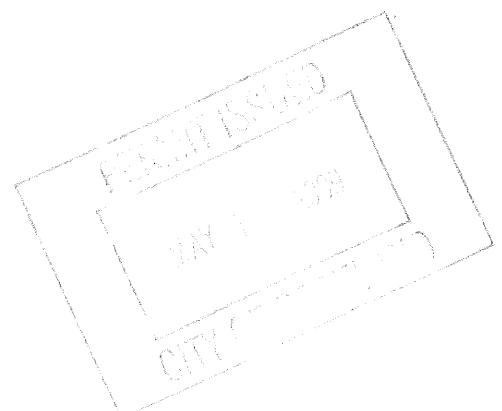
5/1/2009-jmb: Pete H. Called to inform that MEMIC is reviewing the location of the exhaust up the parapet to the roof on the other side where there are existing exhausts. He will bring in details

5/11/2009-jmb: Pete submitted a drawing, but we also need photos, he will provide.

5/11/2009-jmb: Pete H. Submitted photos, I left a message for Scott H. To review.

5/14/2009-gg: received from historic 5/14/09. /gg

5/14/2009-jmb: Confirmed with Pete H. All the items from my email, ok to issue





General Building Permit Application

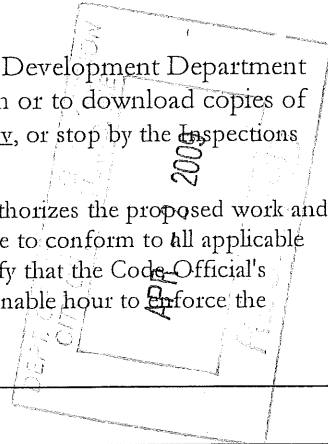
If you or the property owner owes real estate or personal property taxes or user charges on any property within the City, payment arrangements must be made before permits of any kind are accepted.

Location/Address of Construction: <u>245 Commercial St</u>		
Total Square Footage of Proposed Structure/Area	Square Footage of Lot	Number of Stories
Tax Assessor's Chart, Block & Lot Chart# <u>38</u> Block# <u>F</u> Lot# <u>6</u>	Applicant * must be owner, Lessee or Buyer * Name <u>Maine Employers Mutual</u> Address <u>P.O. Box 11409</u> City, State & Zip <u>Port ME 04104</u>	Telephone:
Lessee/DBA (If Applicable)	Owner (if different from Applicant) Name Address City, State & Zip	Cost Of Work: \$ <u>4780</u> C of O Fee: \$ _____ Total Fee: \$ _____
Current legal use (i.e. single family) <u>Retail</u> Number of Residential Units _____ If vacant, what was the previous use? <u>Retail</u> Proposed Specific use: <u>Restaurant</u> Is property part of a subdivision? <u>NO</u> If yes, please name _____ Project description: <u>Type one Hood Installation "The Salt Exchange"</u>		
Contractor's name: <u>Heuckel Design + Fab.</u> Address: <u>134 Hortley St.</u> City, State & Zip <u>Portland Me</u> Telephone: <u>318-2625</u> Who should we contact when the permit is ready: <u>Pete Heuckel</u> Telephone: <u>772 8952</u> Mailing address: <u>134 HORTLEY ST. PORTLAND ME. 04103</u>		

Please submit all of the information outlined on the applicable Checklist. Failure to do so will result in the automatic denial of your permit.

In order to be sure the City fully understands the full scope of the project, the Planning and Development Department may request additional information prior to the issuance of a permit. For further information or to download copies of this form and other applications visit the Inspections Division on-line at www.portlandmaine.gov, or stop by the Inspections Division office, room 315 City Hall or call 874-8703.

I hereby certify that I am the Owner of record of the named property, or that the owner of record authorizes the proposed work and that I have been authorized by the owner to make this application as his/her authorized agent. I agree to conform to all applicable laws of this jurisdiction. In addition, if a permit for work described in this application is issued, I certify that the Code Official's authorized representative shall have the authority to enter all areas covered by this permit at any reasonable hour to enforce the provisions of the codes applicable to this permit.



Signature: [Signature] Date: 09-02-09

This is not a permit; you may not commence ANY work until the permit is issue



Strengthening a Remarkable City, Building a Community for Life • www.portlandmaine.gov

Lee Urban - Director of Planning and Development
Jeanie Bourke - Inspection Division Services Director

Kitchen Exhaust System Checklist and code Provisions

Dear Applicant,

The following is a checklist to assist you in filing for a permit for a Kitchen Exhaust system. The applicable Mechanical Code provisions have also been attached. Please complete this and submit job specific construction documents that demonstrate compliance with the attached information.

Type of System:

Type I ✓ Type II _____

Type I systems are systems that vent fryers, grills, broilers, ovens or woks.

Type II systems are systems that vent steamers and other non grease producing appliances.

Type of Materials:

Is the hood Stainless steel or other type of steel? yes If Other, what Type? _____

Is the duct work Stainless steel or other type of steel? NO If Other, what type? 16 Ga Black iron

Thickness of the steel for the hood See drawings

Thickness of the duct for the hood 16 Ga Black iron

Type of Hood and Duct Supports

UL Rated Sammy Anchor System.

Type of seams and Joints all welded

Grease Gutters provided? yes

Hood Clearance reduction to Combustibles design /specs:

Per 2003 NFPA Code.

Duct Clearance reduction to Combustibles design /specs:

Per 2003 NFPA Code

Vibration Isolation System:

yes

Air Velocity within the duct system 1500 fpm

Grease accumulation prevention system:

yes

Cleanouts yes

Grease Duct enclosure per code

Exhaust Termination Roof Wall

Fire Suppression System yes By others.

Exhaust fan mounting and clearance from the roof / wall or Combustibles:

Per code 43" above Roof line min 10' Rad.

Exhaust fan distance from property lines 24'

Exhaust fan distance from other vents or openings 10' min

Exhaust fan distance from adjacent buildings 24'

Exhaust fan height above adjoining grade 10' min / Roof term.

Hood Specs

Style of Hood type aw.

Type of Filter Aluminum Baffles

Height of filter above nearest cooking surface per code 43 max

Capacity of hood CFM 3900 CFM

Make up Air system description and capacity

MSAU 10. 75% Return Vol.



Henckel Design and Fabrication

**134 Hartley Street
Portland, Maine
04103**

Phone: 1-207-318-2623

Fax: 1-207-772-8952

E-mail: petehenckel@maine.rr.com

This is a quote for the installation of one type one kitchen exhaust hood with make up air if you should have any questions after you read this please feel free to call.

Site location 245 commercial St Portland Me.

- #1 one steel stud wall will be installed directly behind the hood area.**
- #2 5/8" fire rated sheet rock will be installed over the steel studs.**
- #3 24ga stainless steel will be installed over the sheet rock.**
- #4 one 12' hood will be installed.**
- #5 exhaust ducting will be installed from the hood to the roof line.**
- #6 15A fire barrier will be installed on the ducting if it comes within 18" of a combustibile item.**
- #7 make up air ducting will be installed from the intake plenum to the intake fan.**

This quote includes no electrical work the hood and fans will be provided by others the total for the work listed above is \$4780.00 a deposit of 50% is required with the balance paid upon completion.



Henckel Design and Fabrication

**134 Hartley Street
Portland, Maine
04103**

Phone: 1-207-318-2623

Fax: 1-207-772-8952

E-mail: petehenckel@maine.rr.com

**Site location; 245 Comercial St Portland Me
Subject NFPA 2003 Compliance**

Henckel Design and Fabrication will install one type one hood system to 2003 NFPA codes the hood will be provided by others (Ability Equipment Sales) a proof of insurance is available from the equipment supplier or our office.

Pete Henckel

**•Restaurant Hoods•Boiler Breaching•HVAC Design•Curb Adapters and Unit Installations•
•Welded Ducting•Custom Welding Fabrication•**



Henckel Design and Fabrication

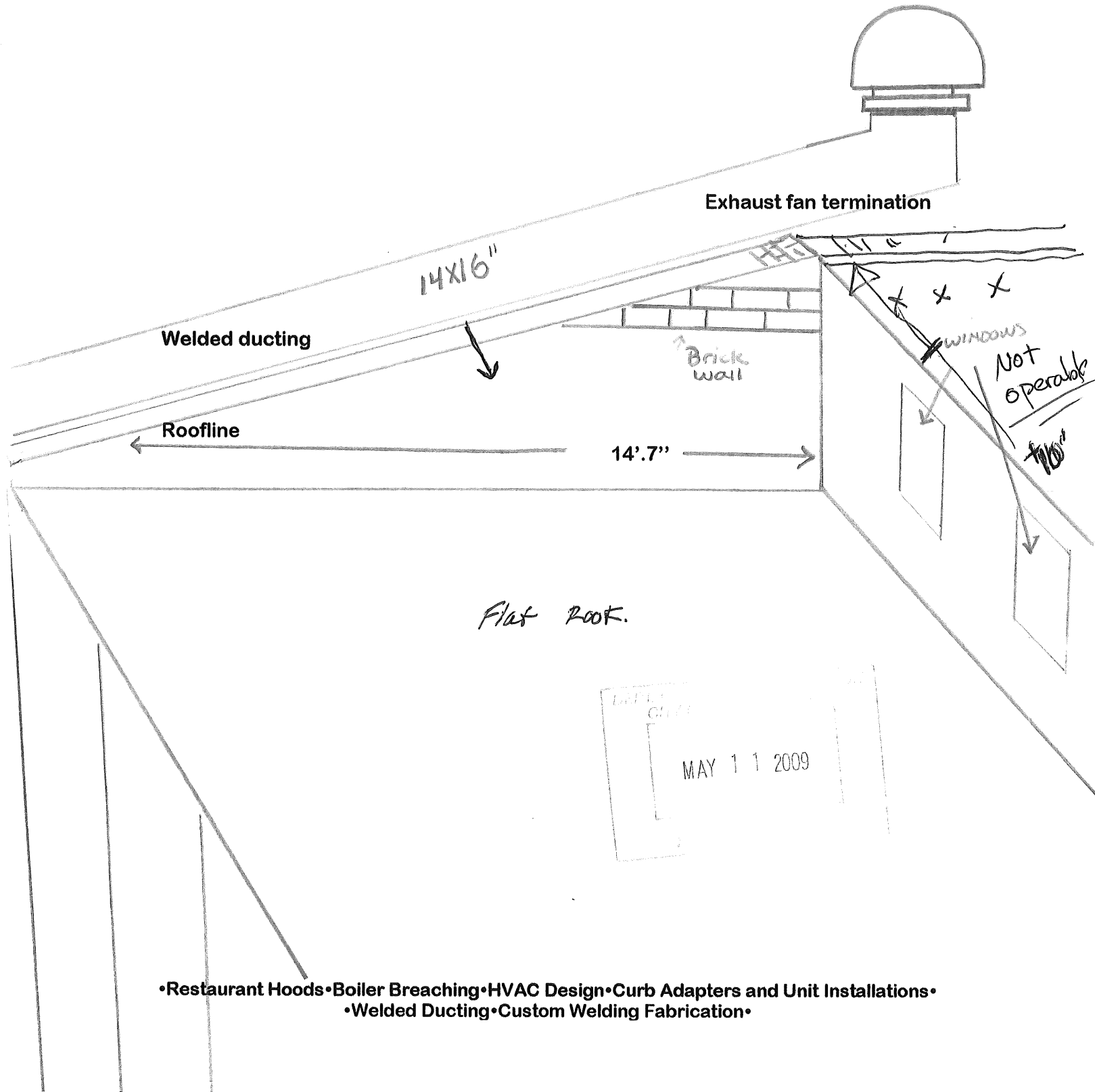
**134 Hartley Street
Portland, Maine
04103**

Phone: 1-207-318-2623

Fax: 1-207-772-8952

E-mail: petehenckel@maine.rr.com

Site location 245 Commercial St rear of the building



**•Restaurant Hoods•Boiler Breaching•HVAC Design•Curb Adapters and Unit Installations•
•Welded Ducting•Custom Welding Fabrication•**



Henckel Design and Fabrication

134 Hartley Street
Portland, Maine
04103

Phone: 1-207-318-2623

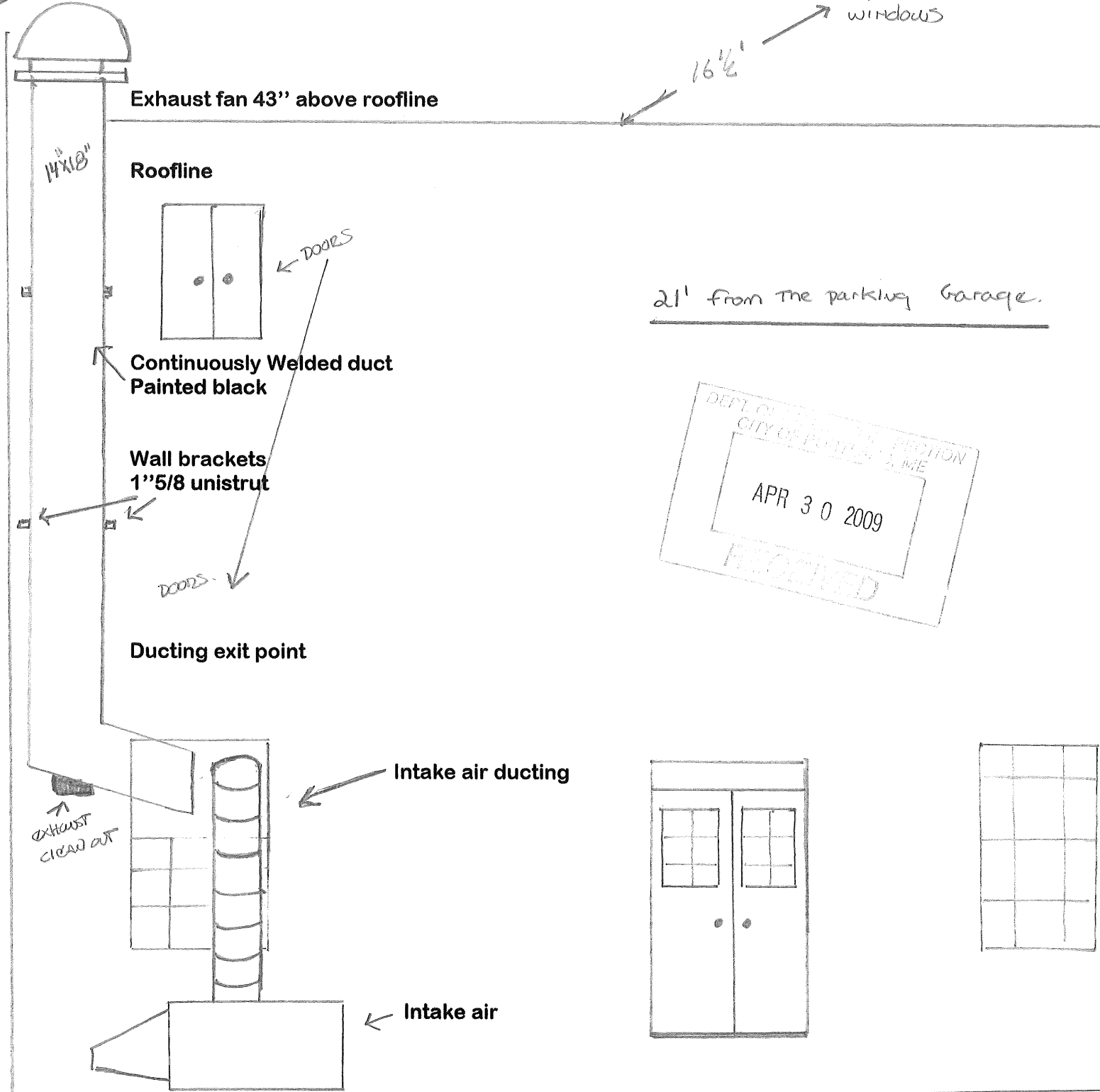
Fax: 1-207-772-8952

E-mail: petehenckel@maine.rr.com

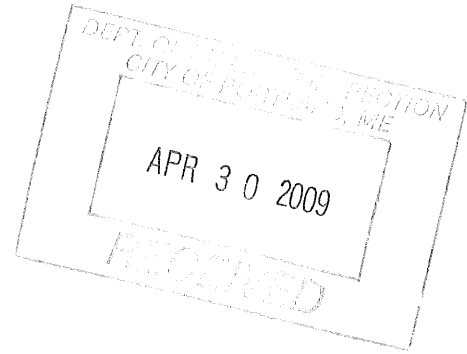
Windows 16.8ft

Site location; 245 Commercial St

← next Building



21' from the parking Garage.



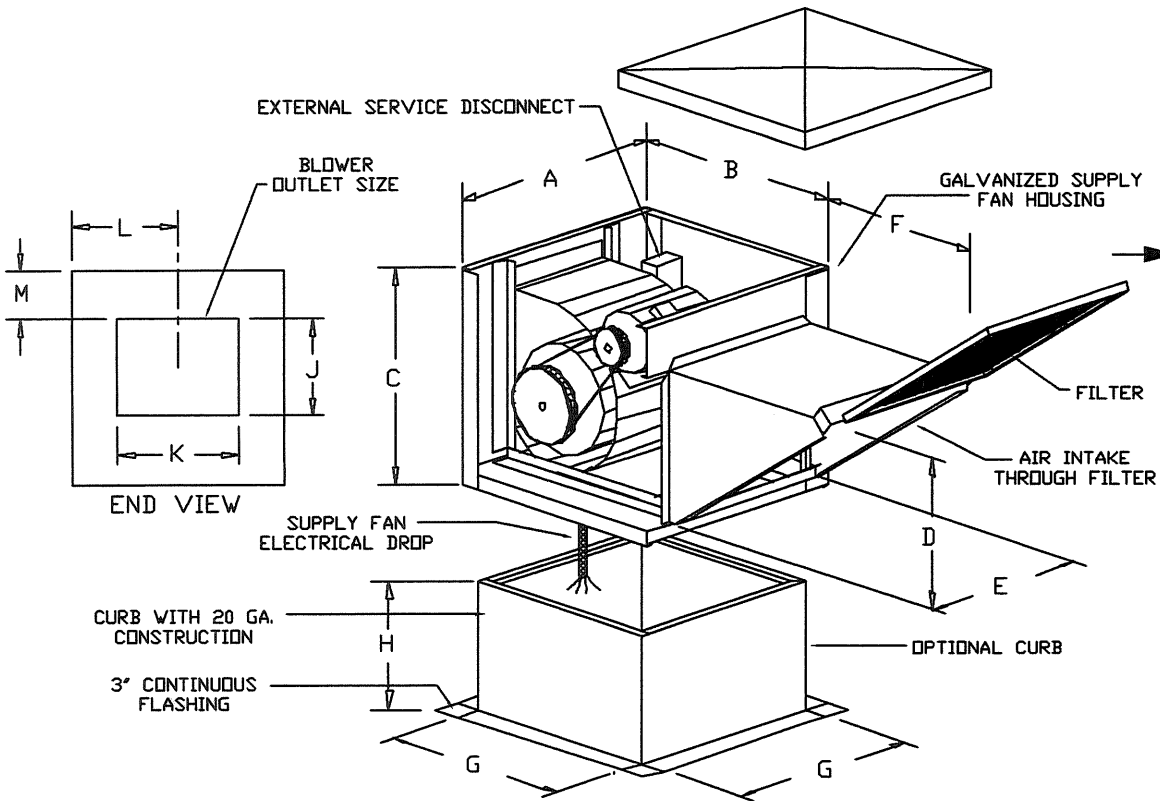
•Restaurant Hoods•Boiler Breaching•HVAC Design•Curb Adapters and Unit Installations•
•Welded Ducting•Custom Welding Fabrication•

NSAU-1 AND NSAU-2 SERIES SIDE DISCHARGE SUPPLY FANS



SUPPLY AIR UNIT DIMENSIONAL DATA

MODEL	BLOWER	HP RANGE	A	B	C	D	E	F	FILTER QTY.	FILTER SIZE	WEIGHT
NSAU-1	G-10	.33 - 2	26	32	28	20	20	26	2	16" X 20"	175 LBS
NSAU-2	G-12	.33 - 3	36	40	35	28.5	25	29	2	20" X 25"	275 LBS
	G-15	.75 - 5						53.75	3	20" X 25"	315 LBS



CURB/BLOWER DIMENSIONAL DATA

MODEL	BLOWER	G	H	J	K	L	M
NSAU-1	G-10	23	14	11-3/4	13-1/2	13	6-1/4
NSAU-2	G-12	32.5	14	13-3/4	15-7/8	18	10
	G-15			16-1/8	18-7/8	18	6-1/2

CAPTIVE-AIRE SYSTEMS, INC. RESERVES THE RIGHT TO MODIFY THE DESIGN, MATERIALS AND/OR SPECIFICATIONS AS A RESULT OF CODE REQUIREMENTS OR PRODUCT ENHANCEMENTS RESULTING FROM ONGOING RESEARCH AND DEVELOPMENT.

CUSTOMER APPROVAL TO MANUFACTURE:

Approved as Noted

Approved with NO Exception Taken

Revise and Resubmit

SIGNATURE _____

Your Title _____ Date _____



JOB Portland Job

LOCATION

DATE 3/9/2009

JOB # 917212

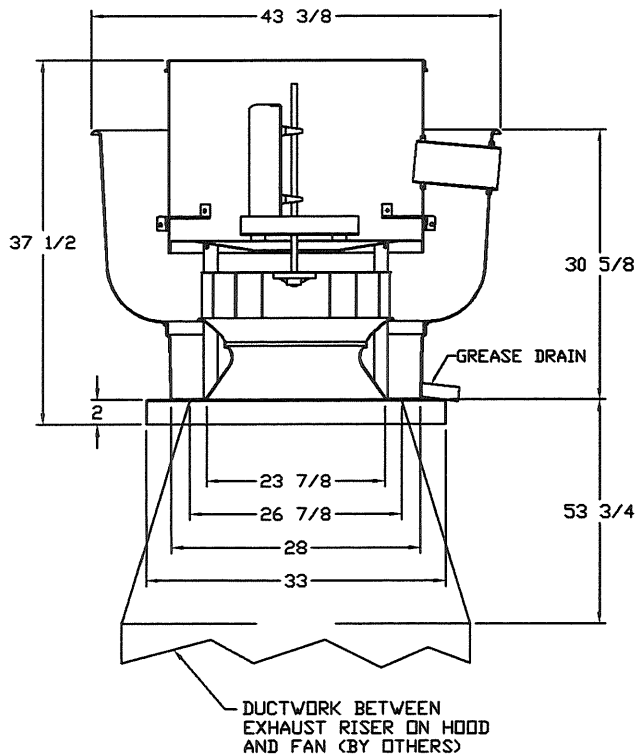
DWG # PortlandJob

DRAWN BY BFC

REV. 1.00

SCALE 8.5' x 11'

FAN #1 NCA24HPFA - EXHAUST FAN



FEATURES:

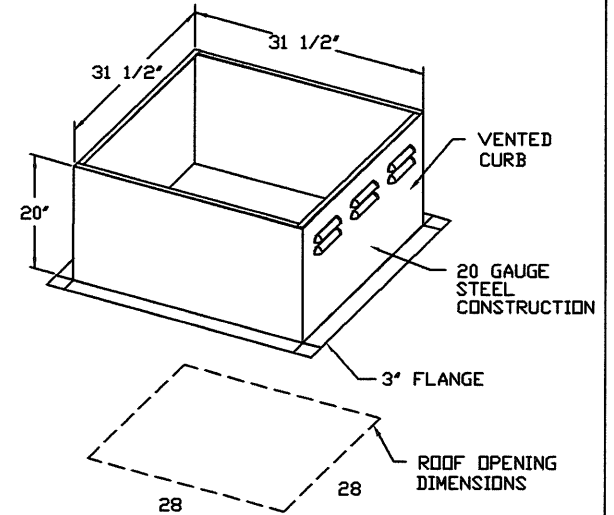
- ROOF MOUNTED FANS
- RESTAURANT MODEL
- UL762
- AMCA SOUND AND AIR CERTIFIED
- WIRING FROM MOTOR TO DISCONNECT SWITCH
- WEATHERPROOF DISCONNECT
- HIGH HEAT OPERATION 300°F (149°C)
- GREASE CLASSIFICATION TESTING

NORMAL TEMPERATURE TEST
EXHAUST FAN MUST OPERATE CONTINUOUSLY WHILE EXHAUSTING AIR AT 300°F (149°C) UNTIL ALL FAN PARTS HAVE REACHED THERMAL EQUILIBRIUM, AND WITHOUT ANY DETERIORATING EFFECTS TO THE FAN WHICH WOULD CAUSE UNSAFE OPERATION.

ABNORMAL FLARE-UP TEST
EXHAUST FAN MUST OPERATE CONTINUOUSLY WHILE EXHAUSTING BURNING GREASE VAPORS AT 600°F (316°C) FOR A PERIOD OF 15 MINUTES WITHOUT THE FAN BECOMING DAMAGED TO ANY EXTENT THAT COULD CAUSE AN UNSAFE CONDITION.

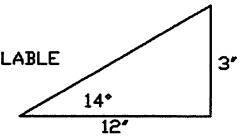
OPTIONS

- GREASE BOX
- FAN BASE CERAMIC SEAL - FOR GREASE DUCTS



PITCHED CURBS ARE AVAILABLE FOR PITCHED ROOFS.

SPECIFY PITCH:
EXAMPLE: 7/12 PITCH = 30° SLOPE



CUSTOMER APPROVAL TO MANUFACTURE:

Approved as Noted

Approved with NO Exception Taken

Revise and Resubmit

SIGNATURE 

Your Title _____ Date _____

CAPTIVE AIRE

JOB Portland Job

LOCATION

DATE 3/9/2009

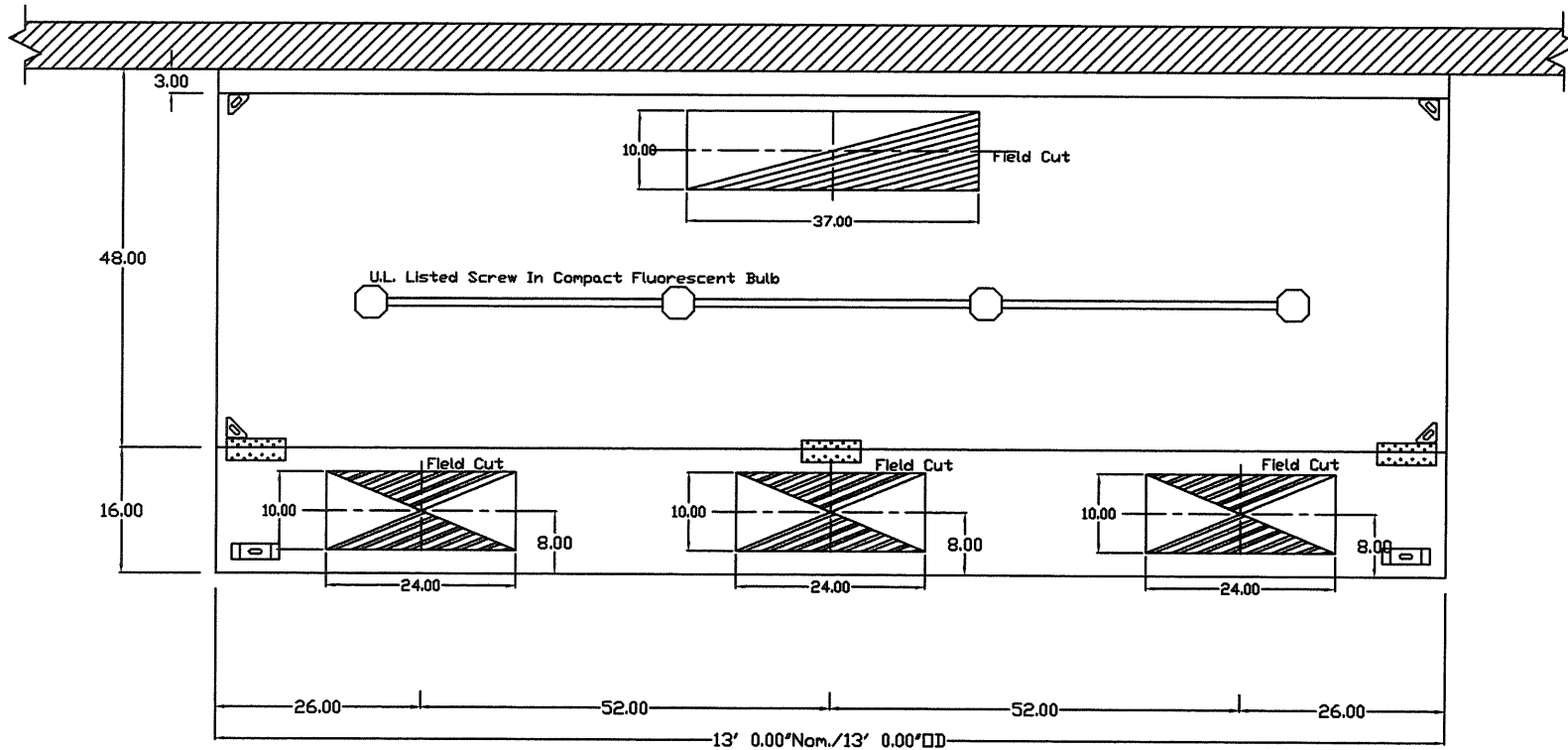
JOB # 917212

DWG # PortlandJob

DRAWN BY BFC

REV. 1.00

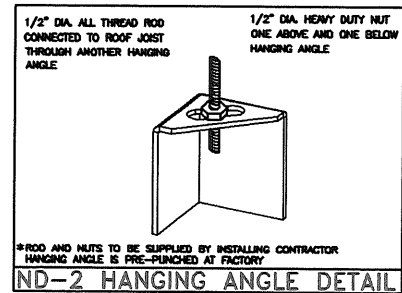
SCALE 8.5' x 11'



PLAN VIEW - Hood #1

13' 0.00" LONG 4812SND-2-PSP-F

NOTE: Additional hanging angles provided for hoods longer than 12 ft.



CUSTOMER APPROVAL TO MANUFACTURE:

Approved as Noted

Approved with NO Exception Taken

Revise and Resubmit

SIGNATURE [Signature]

Your Title _____ Date _____

CAPTIVE AIR	JOB Portland Job	
	LOCATION	
	DATE 3/9/2009	JOB # 917212
	DWG # PortlandJob	DRAWN BY BFC
	REV. 1.00	SCALE 8.5' x 11'

THE HOOD MAY BE INSTALLED WITH A 0 INCH CLEARANCE TO COMBUSTIBLE MATERIALS IF CONSTRUCTED IN ONE OF THE FOLLOWING METHODS:

- 3" UNINSULATED STANDOFF
- 1" INSULATED STANDOFF
- 1" INSULATED BACKSPASH
- BACK RETURN SUPPLY PLENUM

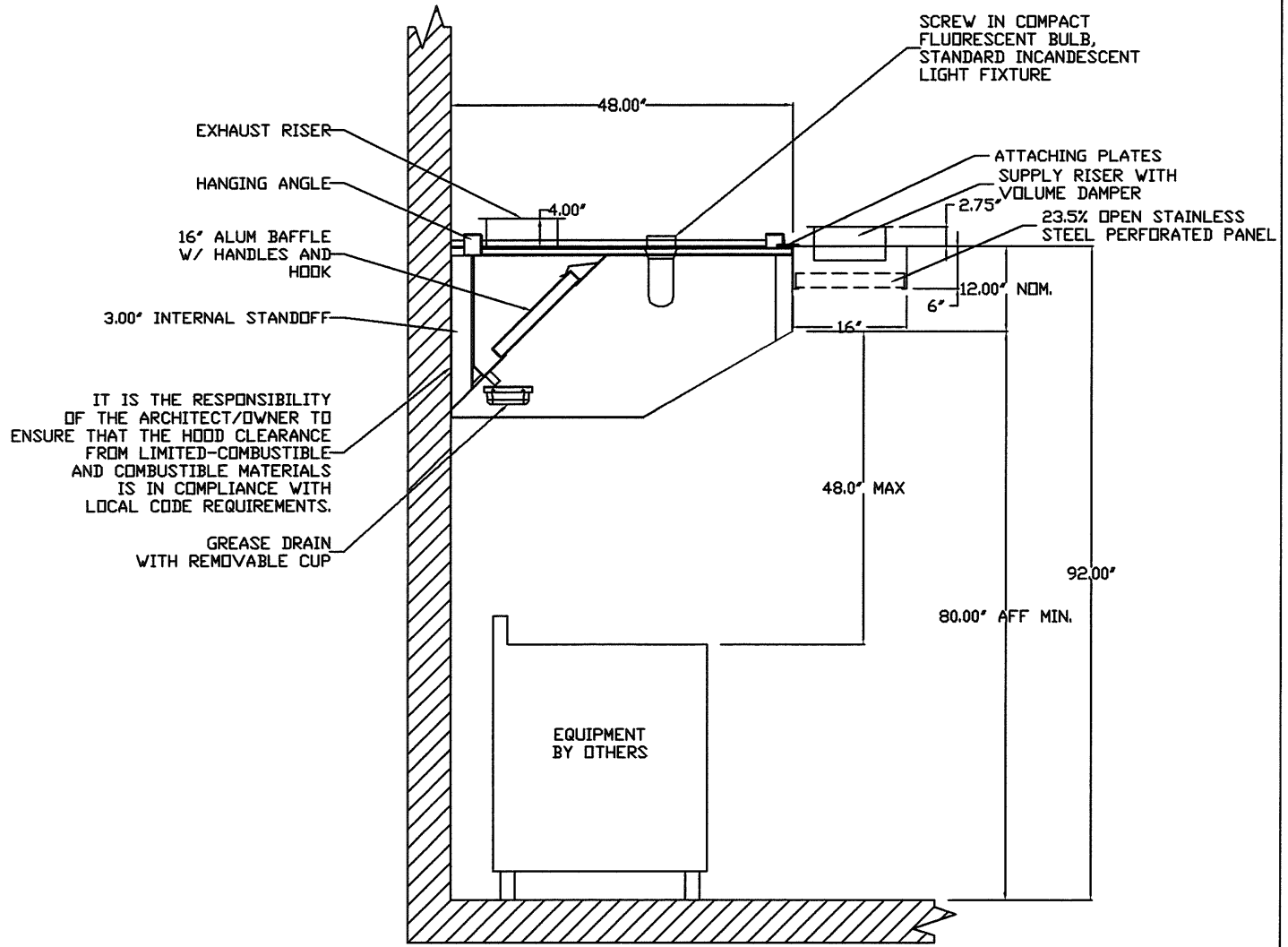
TABLE 1

ETL LISTING DESCRIPTION
THE CAPTIVE AIRE MODEL

ND-2 HAS BEEN E.T.L. TESTED, LISTED, AND APPROVED TO EXHAUST A MINIMUM OF 200 CFM PER LINEAR FOOT OVER 600 DEGREE COOKING EQUIPMENT

1. ALL ELECTRICAL "FIELD" CONNECTIONS AND RELATED INTERCONNECTIONS BY ELECTRICAL CONTRACTORS.
2. ALL PLUMBING "FIELD" CONNECTIONS AND RELATED INTERCONNECTIONS BY PLUMBING CONTRACTORS.
3. ALL ASSOCIATED HANGER MATERIALS BY INSTALLING CONTRACTORS.
4. 8" LONG FACTORY LOCATED AND WELDED HANGER BRACKETS AS SHOWN ON PLANS.
5. ALL CONNECTIONS FROM CAPTIVE-AIRE DUCT PER THE PLANS BY MECHANICAL CONTRACTORS.
6. ALL LIGHTS SHOWN INSTALLED BY CAPTIVE-AIRE. ARE FACTORY PREWIRED PER THE PLANS. INTERCONNECTIONS BETWEEN HOODS AND TO SWITCHES BY ELECTRICAL CONTRACTOR.
7. LAMPS FOR LIGHT FIXTURES BY INSTALLING CONTRACTORS.
8. SEISMIC RESTRAINTS ARE RESPONSIBILITY OF INSTALLING CONTRACTOR.
9. INSTALLING CONTRACTORS ASSUME ALL RELATED RESPONSIBILITY FOR VERIFICATION OF DIMENSIONAL DATA CONTAINED ON THESE DOCUMENTS FOR ACCURACY, INTEGRATION, AND ADMINISTRATION OF CODE REQUIREMENTS IN EFFECT PRIOR TO ANY RELEASE FOR PRODUCTION OF EQUIPMENT SHOWN.
10. SIGNED AND "APPROVED" COPIES OF THIS DOCUMENT MUST BE RECEIVED BY THE FACTORY PRIOR TO COMMENCEMENT OF FABRICATION.
11. NOMINAL HOOD DIMENSIONS AS SHOWN ON DRAWINGS.

GENERAL NOTES



SECTION VIEW - MODEL 4812SND-2-PSP-F

CUSTOMER APPROVAL TO MANUFACTURE:

Approved as Noted

Approved with NO Exception Taken

Revise and Resubmit

SIGNATURE _____

Your Title _____ Date _____



JOB Portland Job	
LOCATION	
DATE 3/9/2009	JOB # 917212
DWG # PortlandJob	DRAWN BY BFC
REV. 1.00	SCALE 8.5' x 11'

EXHAUST FAN INFORMATION

FAN UNIT NO.	FAN UNIT MODEL #	MODEL	TAG	CFM	S.P.	RPM	H.P.	Ø	VOLT	FLA	WEIGHT (LBS.)
1	NCA24HPFA	NCA24HPFA		3900	2.000	1073	3.000	1	230	17.0	258.91

HEATER/MUA FAN INFORMATION

FAN UNIT NO.	FAN UNIT MODEL #	BLOWER	HOUSING	TAG	CFM	S.P.	RPM	H.P.	Ø	VOLT	FLA	WEIGHT (LBS.)
2	NSAU2-G12	G12	NSAU.2		2730	0.500	713	1.000	1	230	6.8	282.93

FAN OPTIONS

FAN UNIT NO.	OPTION (Qty. - Descr.)
1	1 - Grease Box
	1 - Fan Base Ceramic Seal - For Grease Ducts
2	1 - Gravity Backdraft Damper for Size 2 Housing

FAN ACCESSORIES

FAN UNIT NO.	FAN UNIT TAG	EXHAUST			SUPPLY			
		GREASE CUP	GRAVITY DAMPER	WALL MOUNT	SIDE DISCHARGE	GRAVITY DAMPER	MOTORIZED DAMPER	WALL MOUNT
1		YES						
2					YES	YES		

CURB ASSEMBLIES

NO.	ON FAN	ITEM	SIZE
1	# 1	Curb	31.500"W x 31.500"L x 20.000"H Pitched Vented Hinged

CUSTOMER APPROVAL TO MANUFACTURE:

Approved as Noted

Approved with NO Exception Taken

Revise and Resubmit

SIGNATURE *[Signature]*

Your Title _____ Date _____



JOB Portland Job	
LOCATION	
DATE 3/9/2009	JOB # 917212
DWG # PortlandJob	DRAWN BY BFC
REV. 1.00	SCALE 8.5' x 11'

HOOD INFORMATION

HOOD NO.	MODEL	LENGTH	MAX. COOKING TEMP.	EXHAUST PLENUM					SUPPLY PLENUM					HOOD CONSTRUCTION	HOOD CONFIG.	
				TOTAL EXH. CFM	RISER(S)				TOTAL SUP. CFM	RISER(S)					END TO END	ROW
				WIDTH	LENG.	DIA.	CFM	S.P.	WIDTH	LENG.	DIA.	CFM	S.P.			
1	4812 SND-2-PSP-F	13' 0.00'	600 Deg.	3900	10"	37'		3900	-0.713'	2730					430 SS 100%	ALONE ALONE

HOOD INFORMATION

HOOD NO.	FILTER(S)				LIGHT(S)			UTILITY CABINET(S)				FIRE SYSTEM PIPING	HOOD WEIGHT		
	TYPE	QTY.	HEIGHT	LENGTH	QTY.	TYPE	WIRE GUARD	LOCATION	FIRE SYSTEM		ELECTRICAL			SWITCHES	
									TYPE	SIZE	MODEL #	QUANTITY	LOCATION		
1	Alum Baffle w/ Handles	1 7	16" 16"	16" 20"	4	Screw In Compact Fluore	NO							NO	496 LBS

PERFORATED SUPPLY PLENUM(S)

HOOD NO.	POS.	LENGTH	WIDTH	HEIGHT	RISER(S)				
					WIDTH	LENG.	DIA.	CFM	S.P.
1	Front	156'	16"	6"	10"	24"		910	0.149'
					10"	24"		910	0.149'
					10"	24"		910	0.149'

CAPTIVE-AIRE HOODS ARE BUILT IN COMPLIANCE WITH



NFPA #96

NSF

UL 710 & ULC710 STANDARDS
E.T.L. LISTED 3054804-001

CUSTOMER APPROVAL TO MANUFACTURE:

Approved as Noted

Approved with NO Exception Taken

Revise and Resubmit

SIGNATURE [Signature]

Your Title _____ Date _____



JOB Portland Job	
LOCATION	
DATE 3/9/2009	JOB # 917212
DWG # PortlandJob	DRAWN BY BFC
REV. 1.00	SCALE 8.5' x 11'



Henckel Design and Fabrication

**134 Hartley Street
Portland, Maine
04103**

Phone: 1-207-318-2623

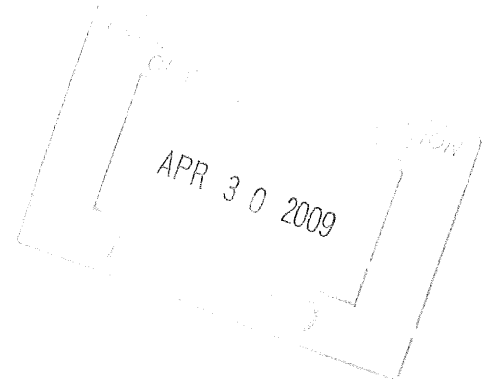
Fax: 1-207-772-8952

E-mail: petehenckel@maine.rr.com

**Site location; 245 Commercial St Portland Me
Subject; 2003 NFPA compliancy**

Please note that the installation of the type one hood system at 245 Commercial St in Portland will be code compliant under the 2003 NFPA mechanical codes for fire safety if there are any questions please feel free to call at any time.

Thank you Peter N Henckel



**•Restaurant Hoods•Boiler Breaching•HVAC Design•Curb Adapters and Unit Installations•
•Welded Ducting•Custom Welding Fabrication•**

Jeanie Bourke - 245 Commercial - hood

From: Jeanie Bourke
To: petehenckel@maine.rr.com
Date: 4/8/2009 3:33 PM
Subject: 245 Commercial - hood
CC: Deb Andrews

Hi Pete,
Since your voicemail is full.....
Both Deb Andrews and I will need more detail:

- on the exit of the duct to the roof exhaust. — PICS
- a view showing min. 10' from other openings. — Yes
- is the air intake on the roof as well? — sit on ground outside window
- a photo of the rear wall in relation to the alleyway would be beneficial. — yes PICS
- section showing the dimension of the top of the hood to the combustible ceiling

Thanks

Jeanie Bourke
Code Enforcement Officer/Plan Reviewer

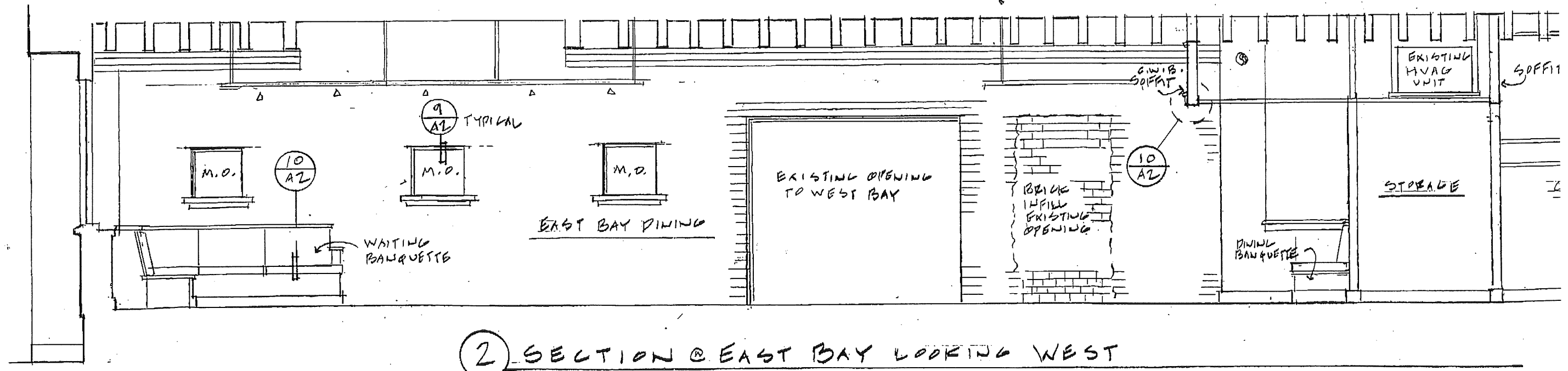
City of Portland
Planning & Urban Development Dept./ Inspections Division
389 Congress St. Rm 315
Portland, ME 04101
jmb@portlandmaine.gov
(207)874-8715

10' or
treated
w/ reduction
wrap or
Treatment -
per
Pete H.
5/13/09

DEPT. OF BUILDING INSPECTION
CITY OF PORTLAND, ME
MAY - 1 2009
RECEIVED



1 SECTION @ EAST BAY LOOKING EAST



2 SECTION @ EAST BAY LOOKING WEST

