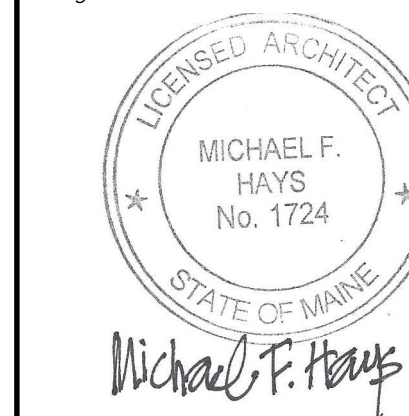


**GRANT HAY
ASSOCIATES**
ARCHITECTURE & INTERIOR DESIGN
P.O. BOX 6179 FALMOUTH MAINE 04105
207.871.5900 www.granthays.com

JTAL



REVISION
11.6.17

DRAWING NAME

MEMIC
RENOVATION TO THE
SECOND FLOOR OFFICES
PORTLAND, MAINE 04101

245 COMMERCIAL ST.

SHEET

**DOORS,
PARTITION
& DETAILS**

DATE: 15/EP 2017
SCALE: AS NOTED
DRAWN: MFH/mgk
JOB NO.: 170831
SHEET

A-7

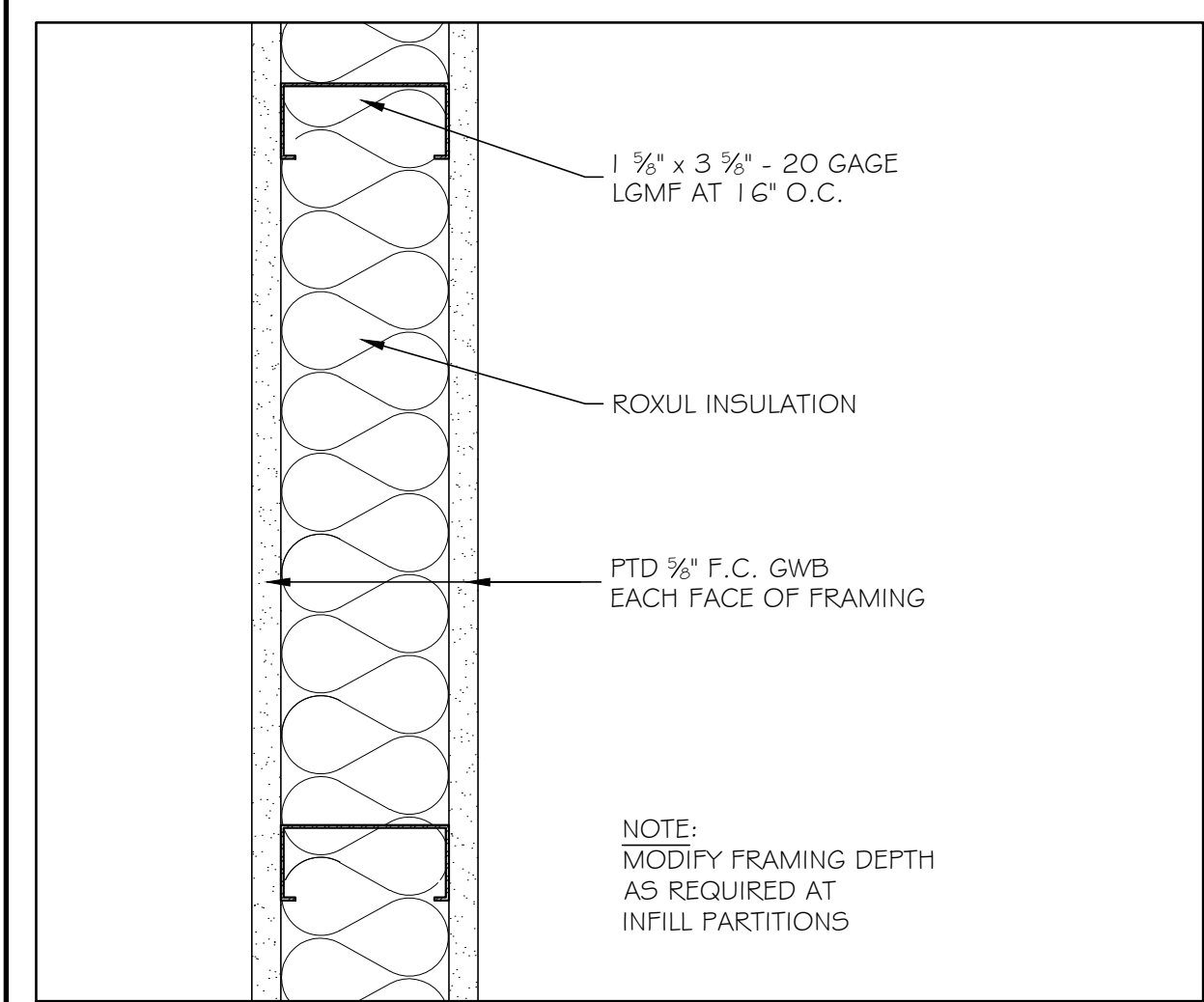
COPYRIGHT
REPRODUCTION OR REV. OF THIS
DOCUMENT WITHOUT WRITTEN
PERM./NOT FROM GRANT HAY
ASSOCIATES IS PROHIBITED.

DOOR SCHEDULE

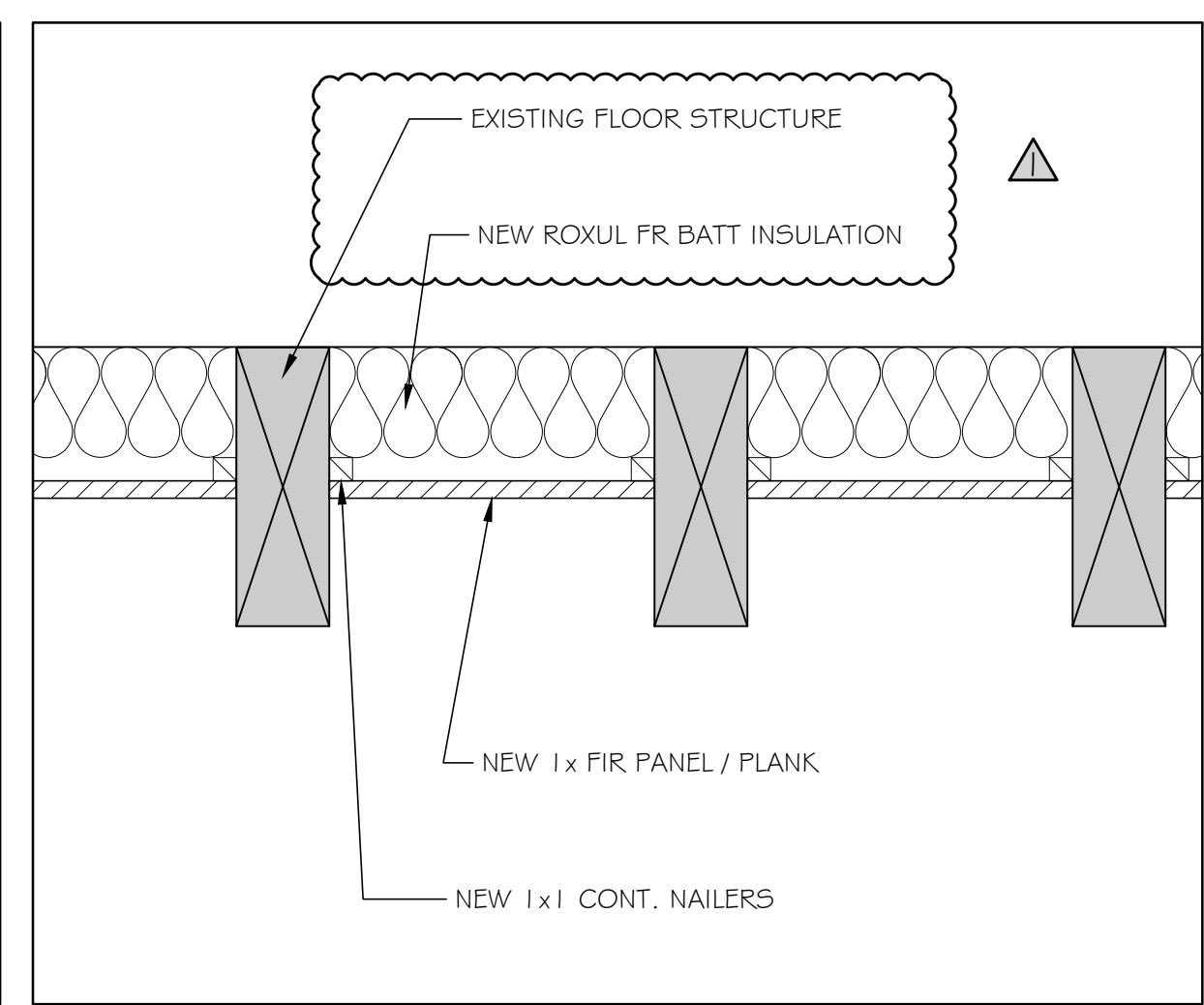
ABBREVIATIONS

AL	ALUMINUM	HM	ROLL METAL	V	VINYL
DW	DRYWALL	INSUL	INSULATED	W	WIRE
(E)	EXISTING	SS	STAINLESS STEEL	WD	WOOD
ES	EDGE STRIP	T	TEMPERED	W/	WITH
EMHO	ELECTRO MAGNETIC HOLD OPENER GLASS	TB	THERMAL BREAK	TI	THERMAL INSULATED TRANSITION STRIP

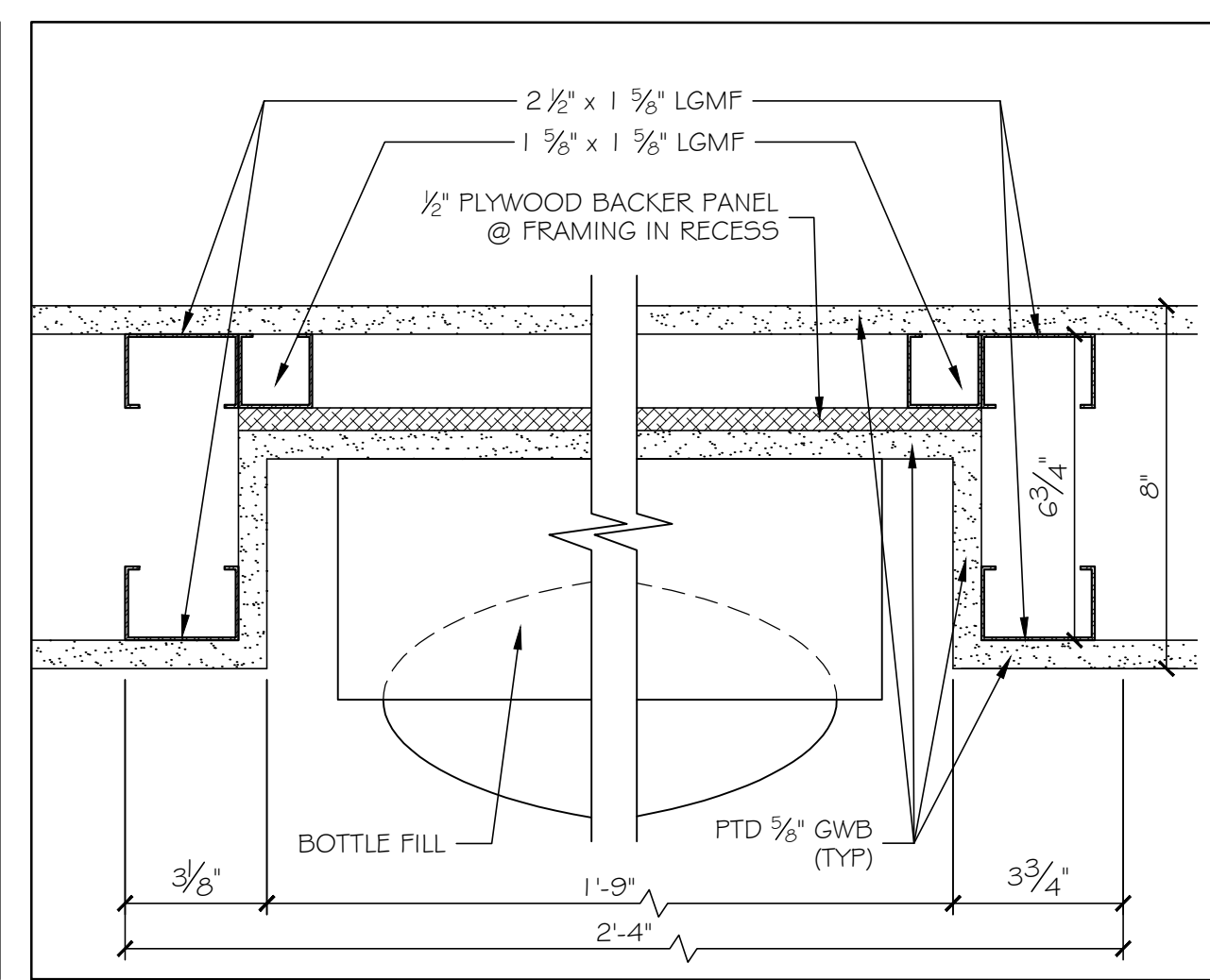
NO.	TYPE	SIZE (w x h)	THK	INSUL	HDWE	FR	GLASS		REMARKS	FRAMES			THRESHOLDS		
							TYPE	SIZE		FR	PROFILE	DETAILS HEAD	DETAILS JAMB	MATERIAL	DETAILS SILL
201	A	3070	MFGR	---	HW-1	---	TEMP	FULL	BY DIRTT	MFGR	---	---	---	---	---
202	A	3680	MFGR	---	HW-1	---	TEMP	FULL	BY DIRTT	MFGR	---	---	---	---	---
203	A	3680	MFGR	---	HW-1	---	TEMP	FULL	BY DIRTT	MFGR	---	---	---	---	---
204	A	3680	MFGR	---	HW-1	---	TEMP	FULL	BY DIRTT	MFGR	---	---	---	---	---
205	A	3680	MFGR	---	HW-1	---	TEMP	FULL	BY DIRTT	MFGR	---	---	---	---	---
206	A	3680	MFGR	---	HW-1	---	TEMP	FULL	BY DIRTT	MFGR	---	---	---	---	---
207	B	3080	1 3/4"	---	HW-2	---	TEMP	FULL	FULL LOUVER	(E)	---	---	---	(E)	---
E201	(E)	---	---	---	---	---	---	---	---	(E)	(E)	(E)	---	---	---
E202	(E)	---	---	---	---	---	---	---	---	(E)	(E)	(E)	---	---	---
E203	(E)	---	---	---	---	---	---	---	---	(E)	(E)	(E)	---	---	---
E204	(E)	---	---	---	---	---	---	---	---	(E)	(E)	(E)	---	---	---
E205	(E)	---	---	---	---	---	---	---	---	(E)	(E)	(E)	---	---	---
E206	(E)	---	---	---	---	---	---	---	---	(E)	(E)	(E)	---	---	---
E207	(E)	---	---	---	---	---	---	---	---	(E)	(E)	(E)	---	---	---
E208	(E)	---	---	---	---	---	---	---	---	(E)	(E)	(E)	---	---	---



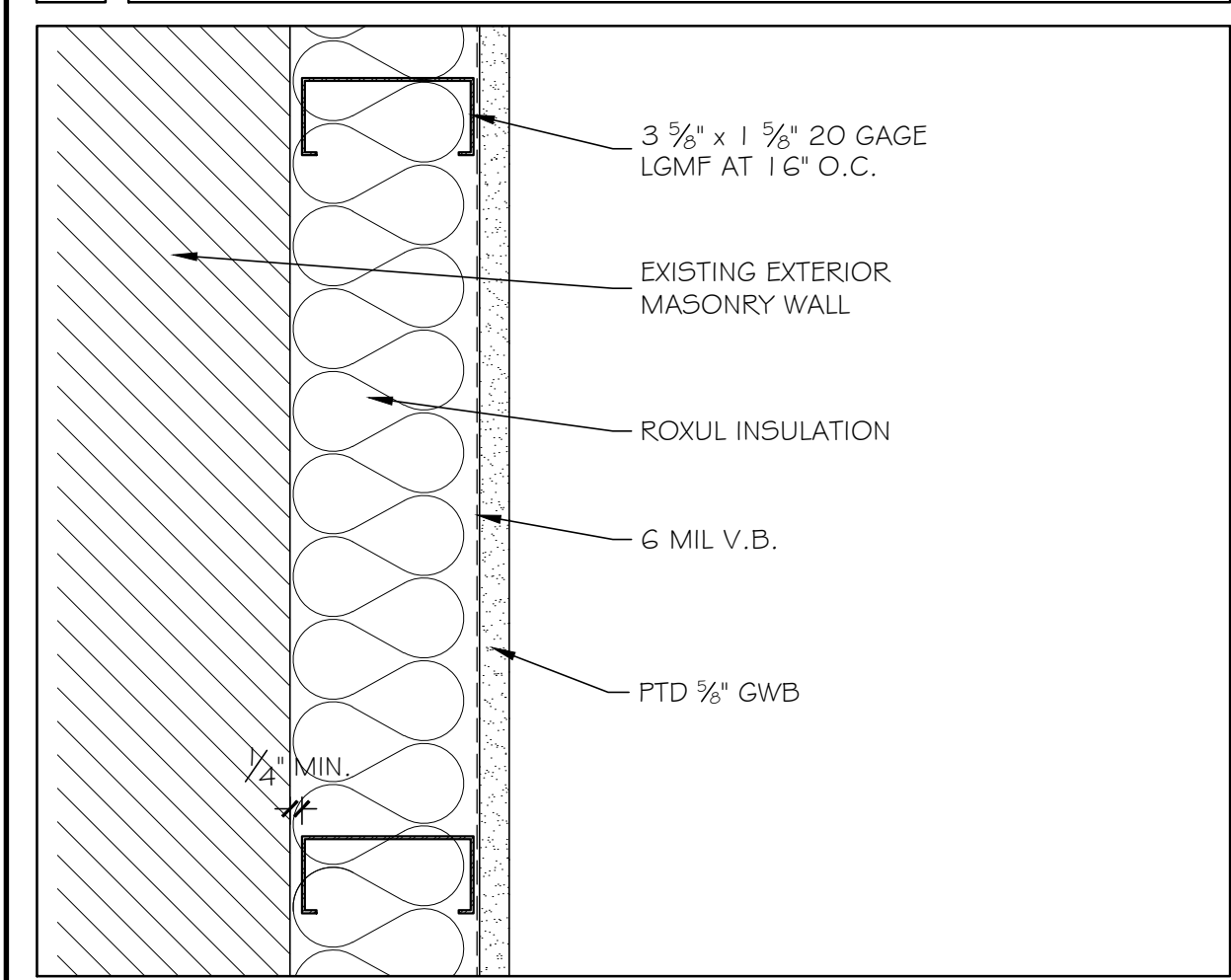
① INTERIOR PARTITION TYPE Δ 3" = 1'-0"



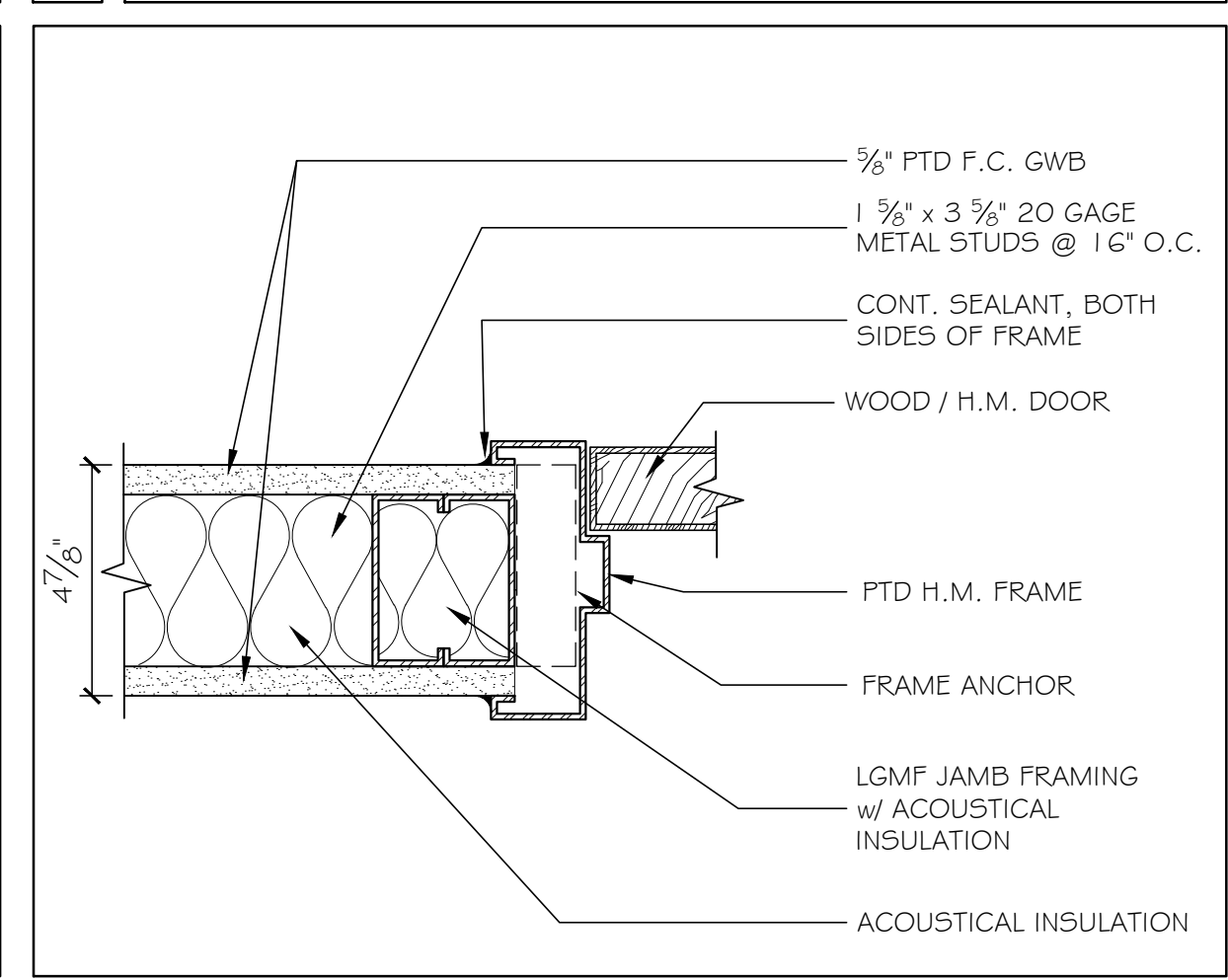
⑤ NEW INSULATED FRAMING DETAIL 1/2" = 1'-0"



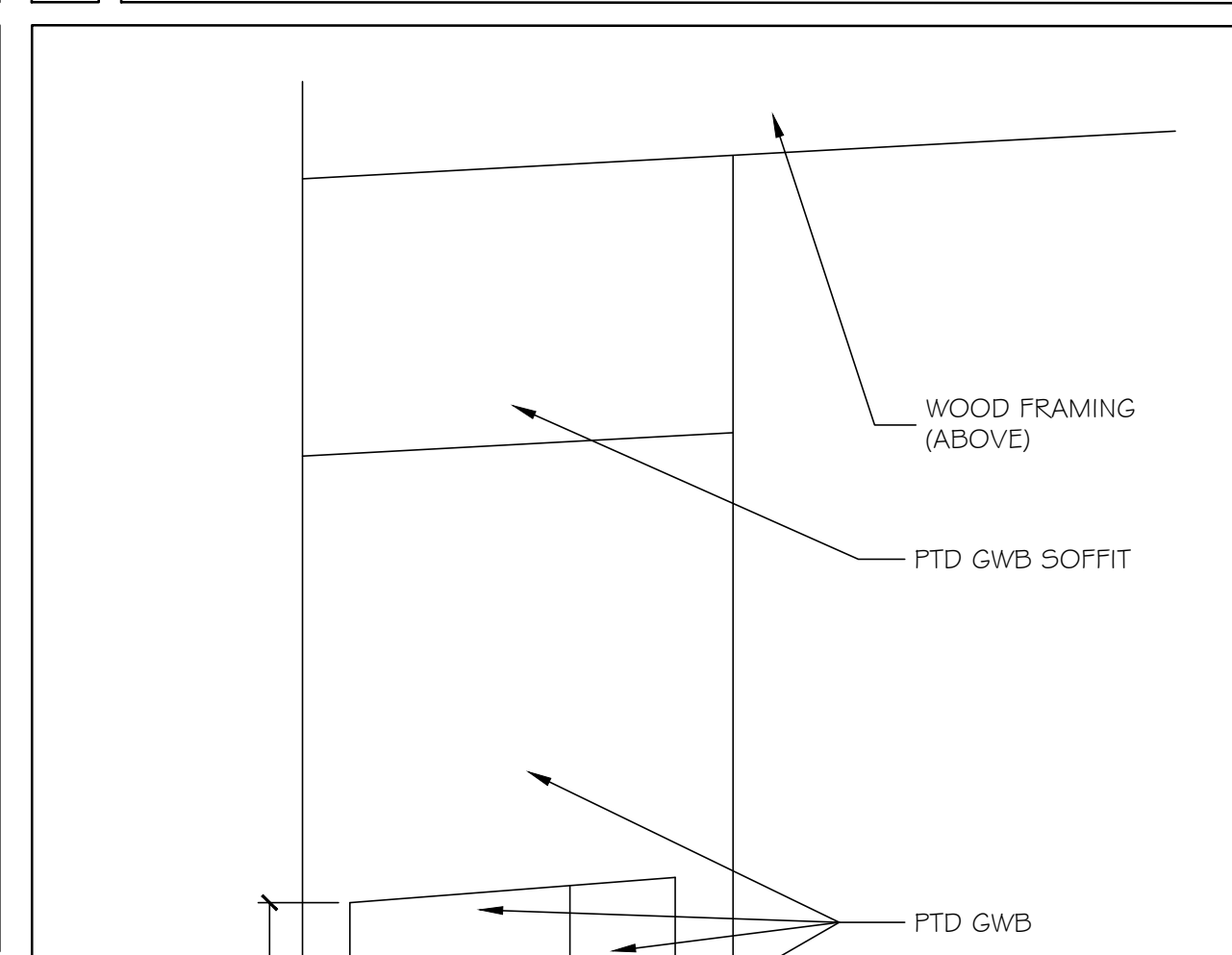
③ PLAN DETAIL AT BOTTLE FILL 3" = 1'-0"



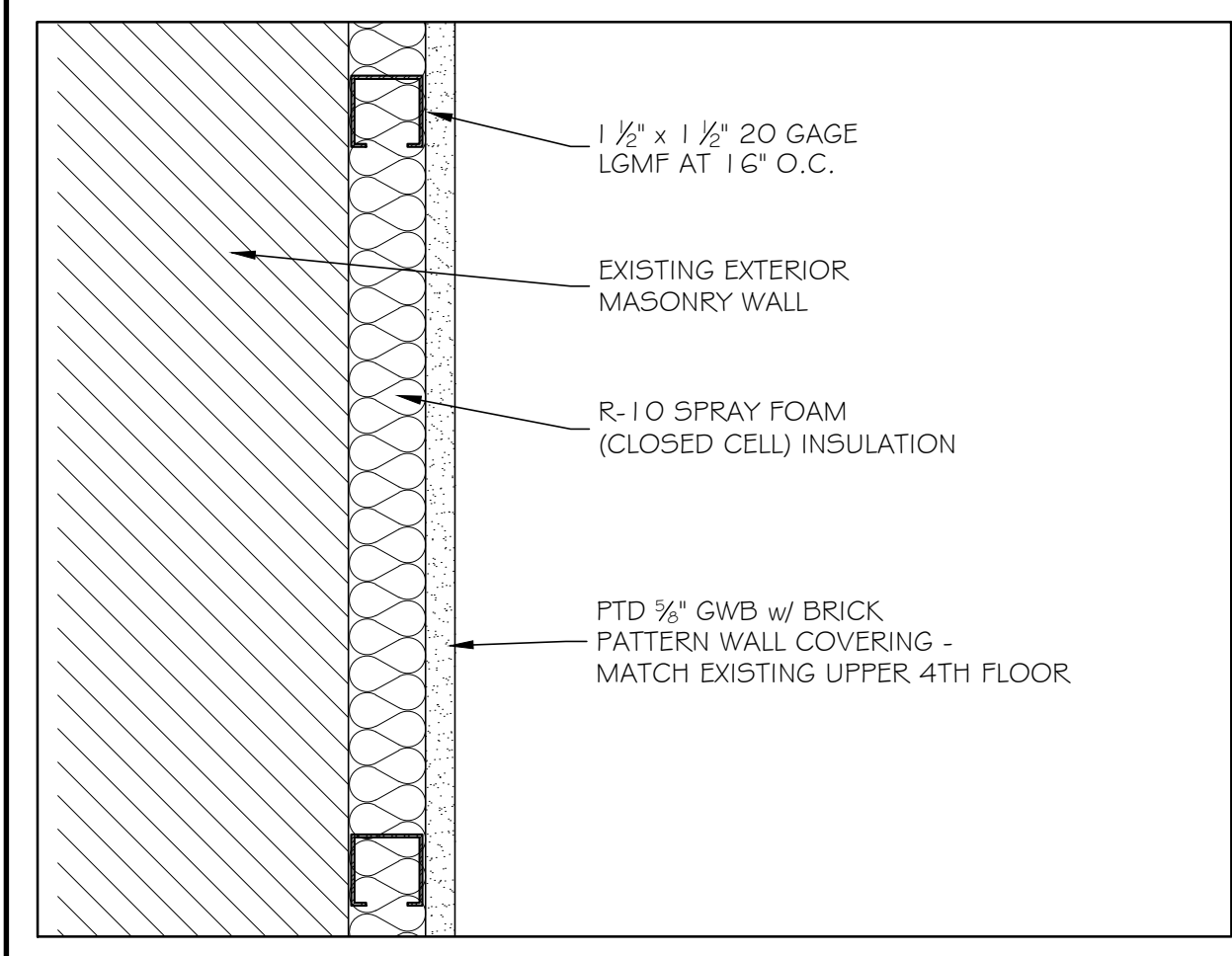
② INTERIOR PARTITION TYPE Δ 3" = 1'-0"



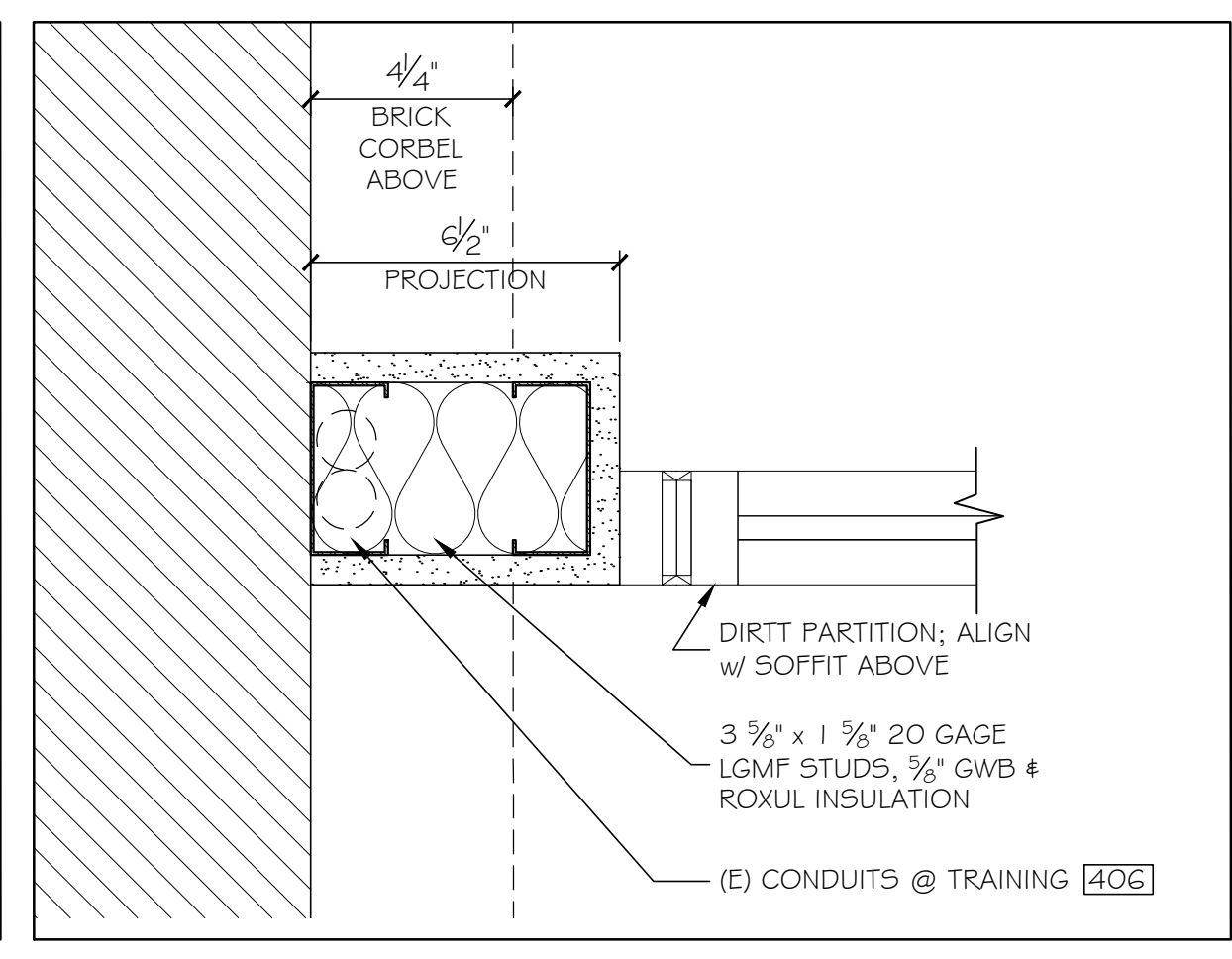
⑥ JAMB (HEAD SIM) AT INT. H.M. DOOR 3" = 1'-0"



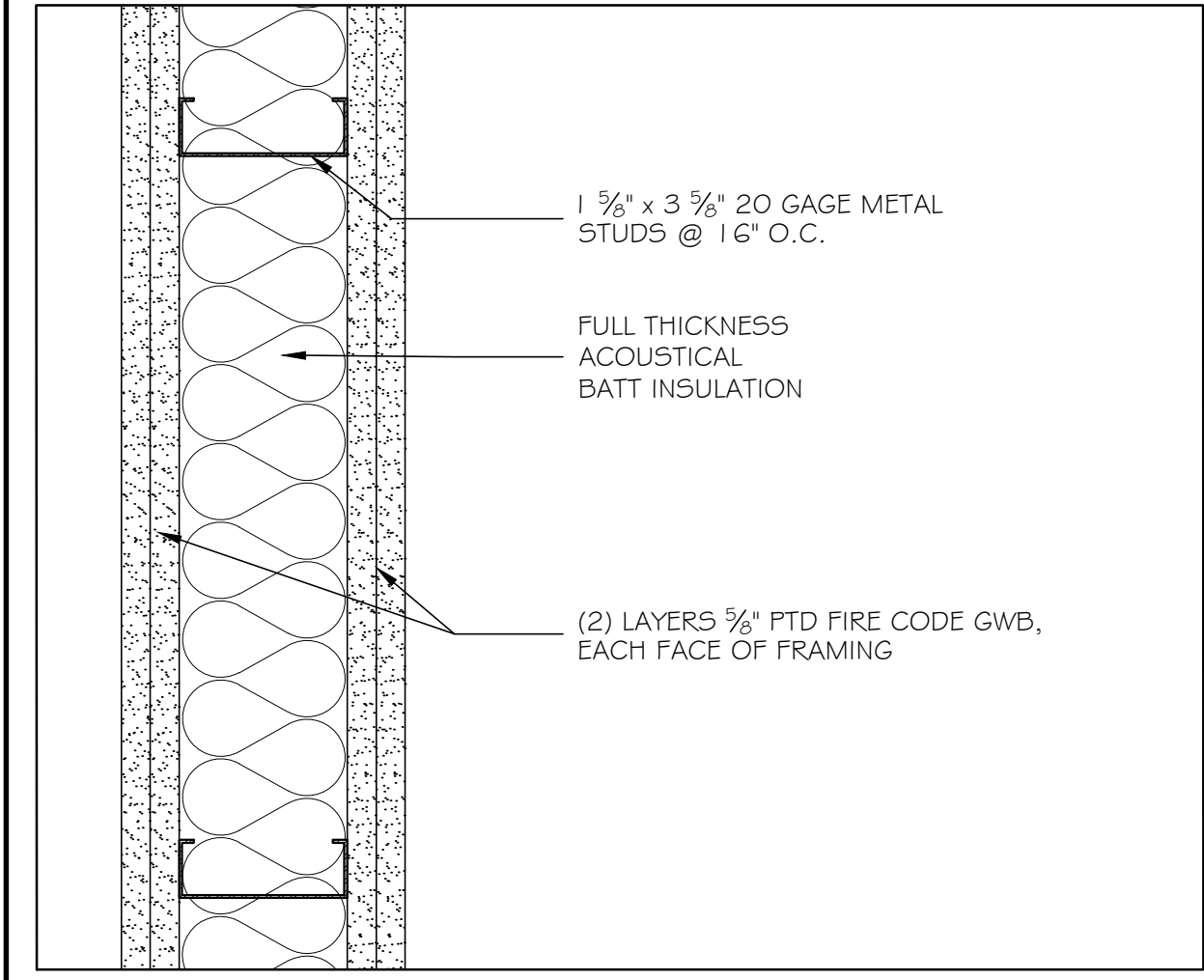
④ RECESS AT BOTTLE FILL N.T.S.



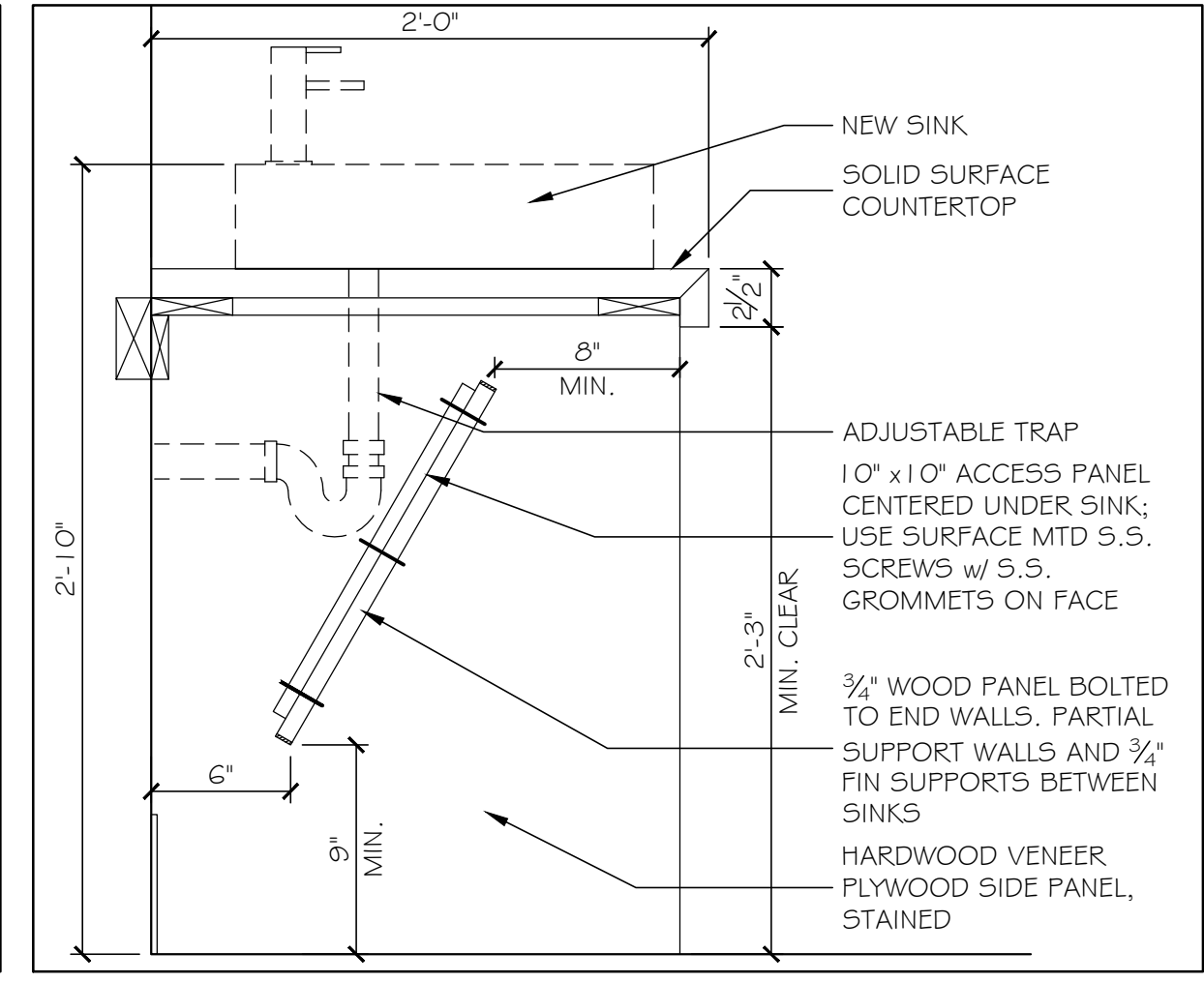
③ INTERIOR PARTITION TYPE Δ 3" = 1'-0"



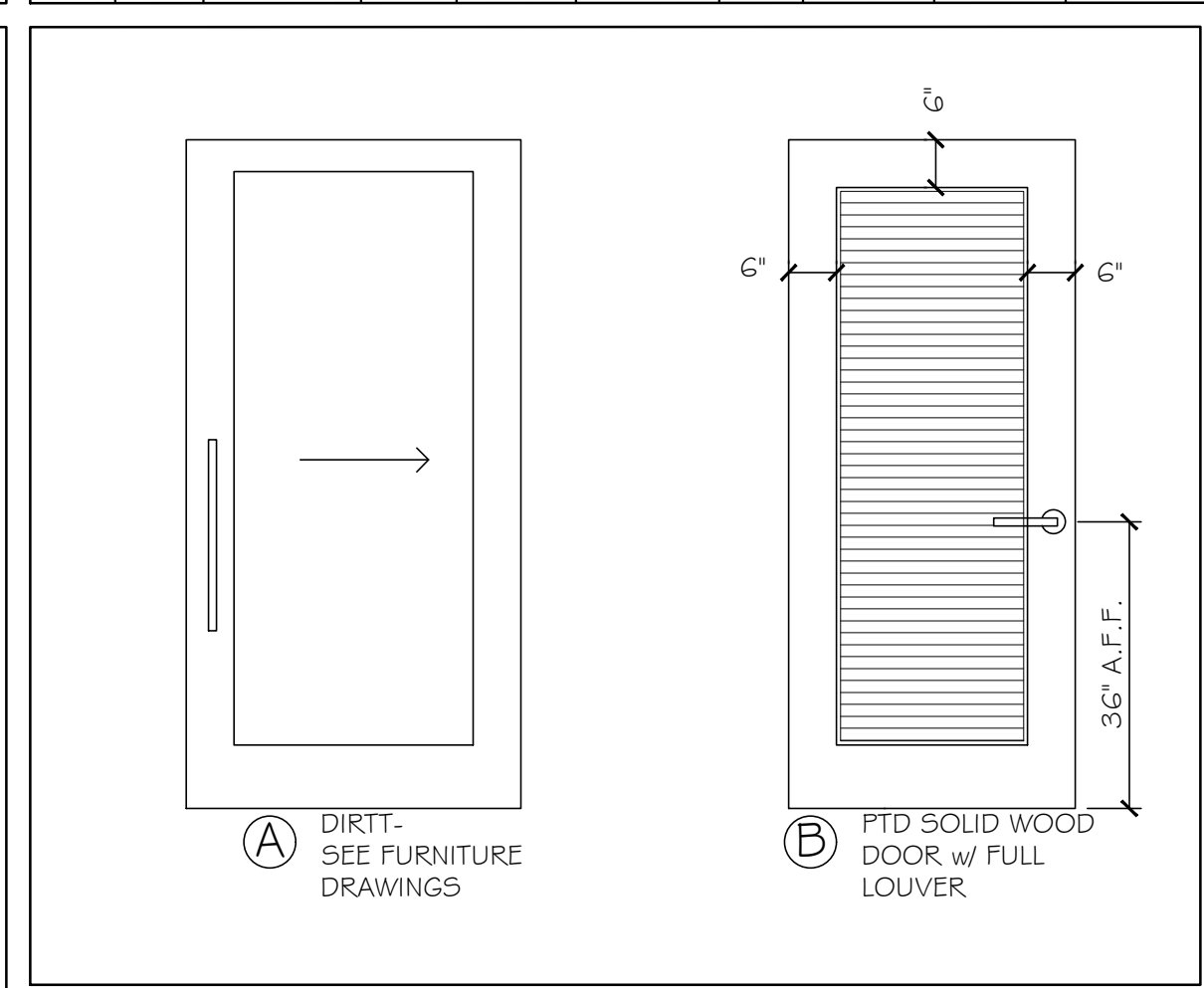
⑦ JAMB DETAIL @ DIRTT SYSTEM 3" = 1'-0"



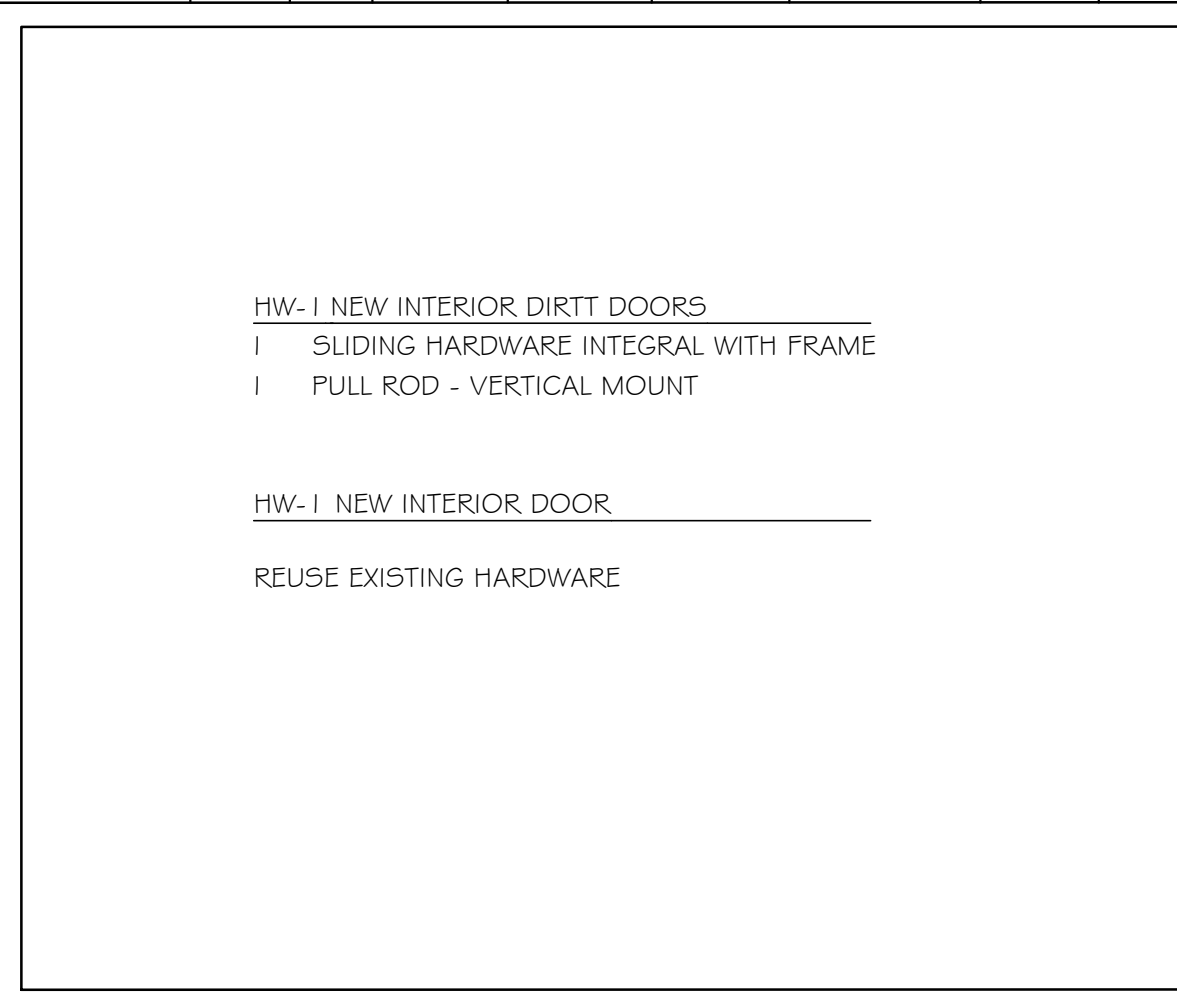
④ 2 HOUR RATED WALL Δ 3" = 1'-0"



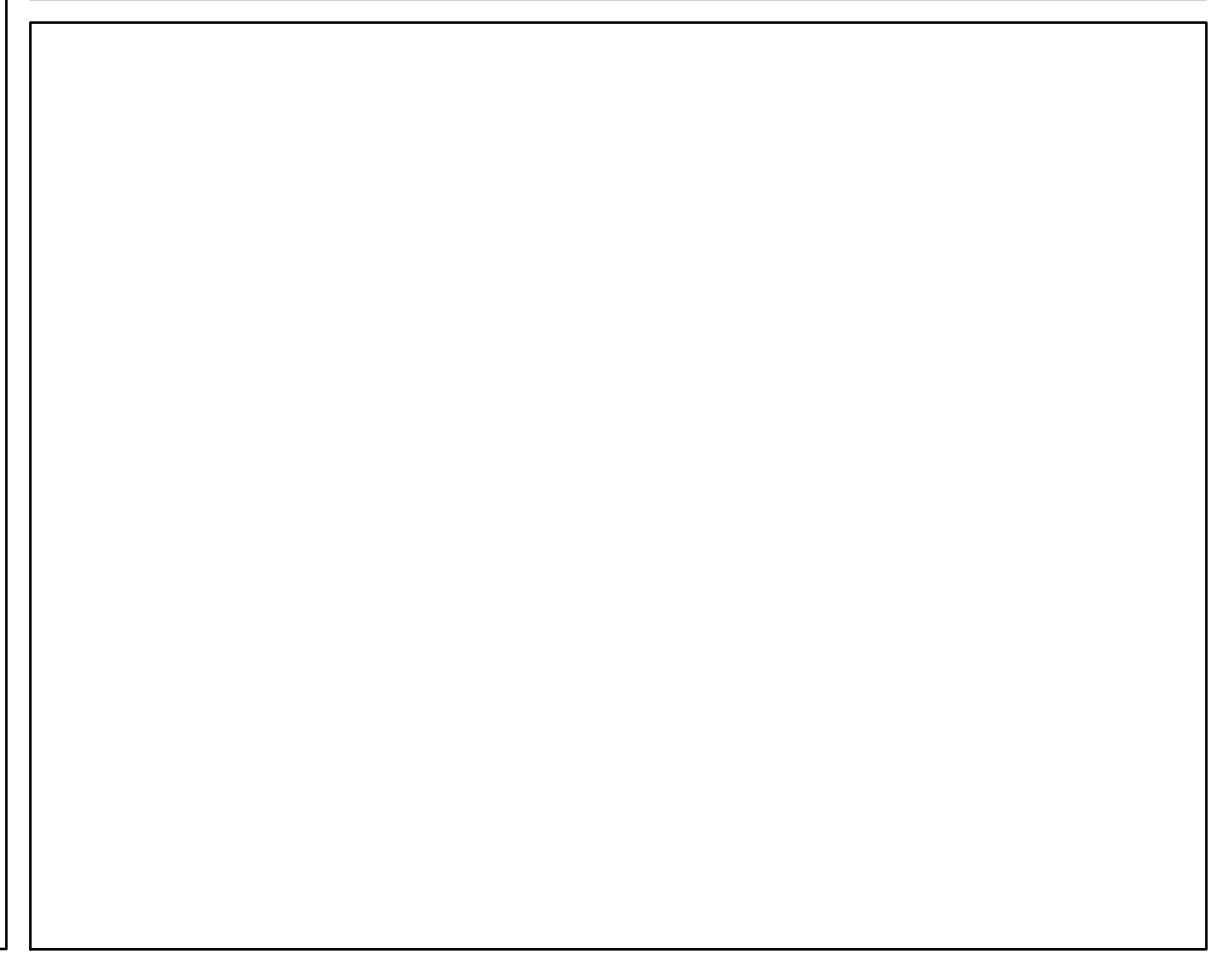
⑧ BATHROOM @ ADA SINK 1/2" = 1'-0"



DOOR TYPES NO SCALE



HARDWARE SET



DOOR NOTES

COPYRIGHT
REPRODUCTION OR REV. OF THIS
DOCUMENT WITHOUT WRITTEN
PERM./NOT FROM GRANT HAY
ASSOCIATES IS PROHIBITED.