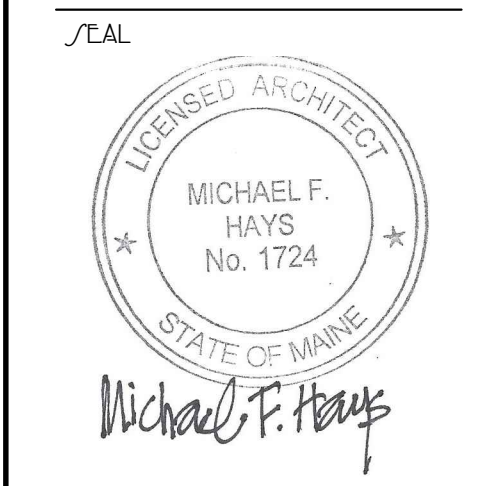


GRANT HAYS
ASSOCIATES

ARCHITECTURE & INTERIOR DESIGN
P.O. BOX 6179 FALMOUTH MAINE 04105
207.871.5900 www.granthays.com



REVISION

DRAWING NAME

MEMIC
RENOVATION TO THE
SECOND FLOOR OFFICES
245 COMMERCIAL ST.
PORTLAND, MAINE 04101

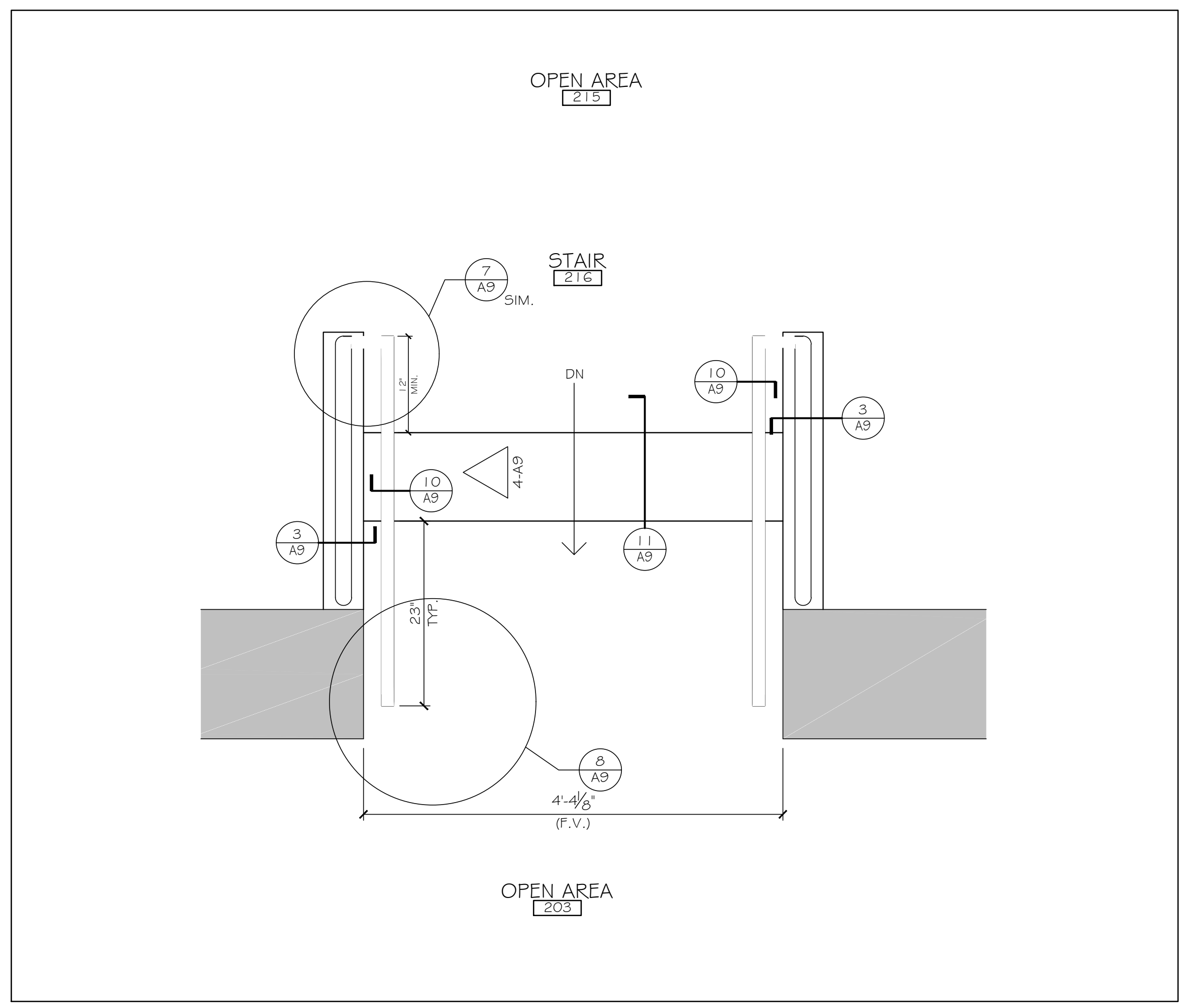
SHEET

STAIR
PLANS
& DETAILS

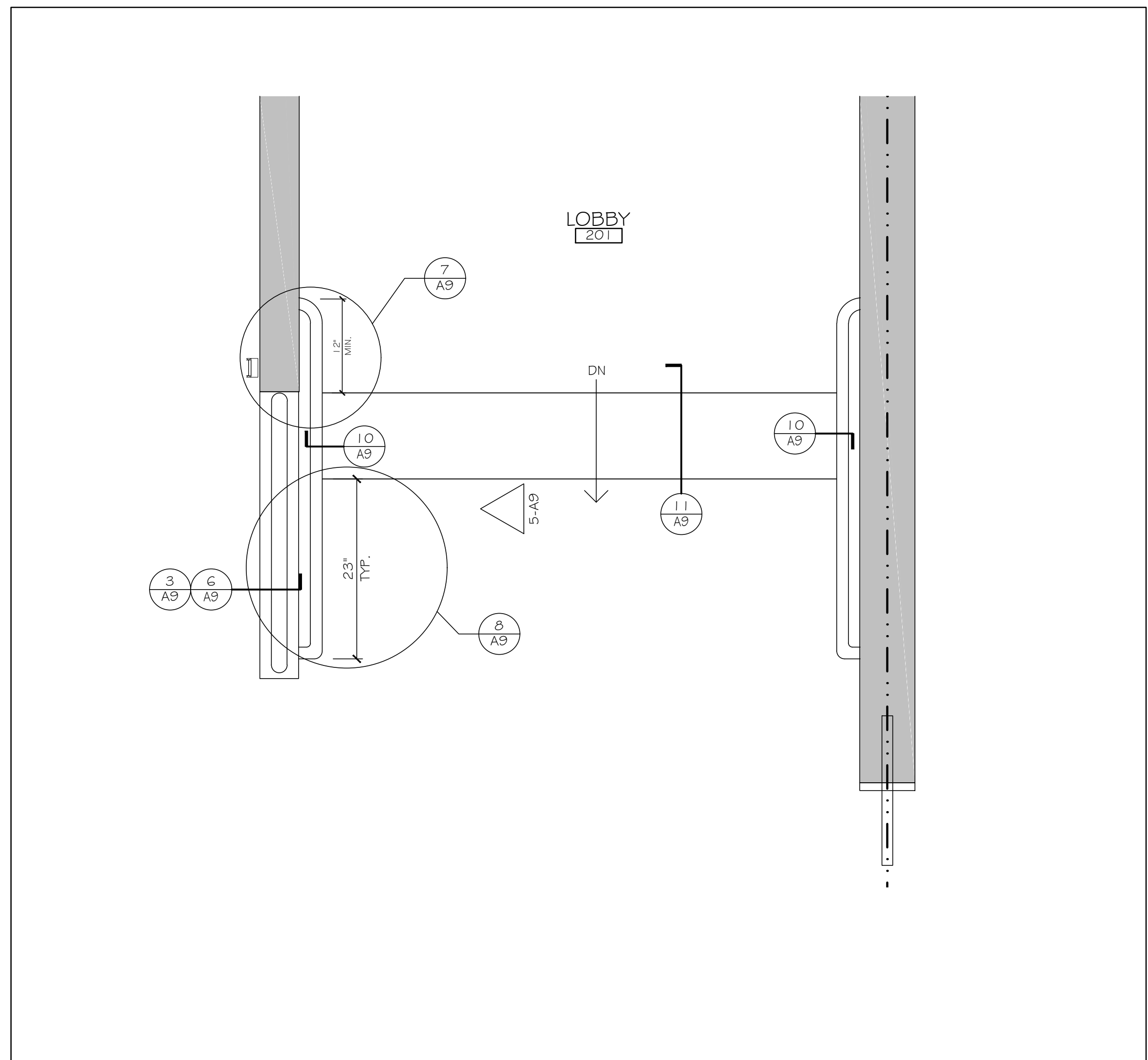
DATE: 15/EPT 2017
SCALE: A/ NOTED
DRAWN: MFH/mgk
JOB NO.: 170831
SHEET

A-9

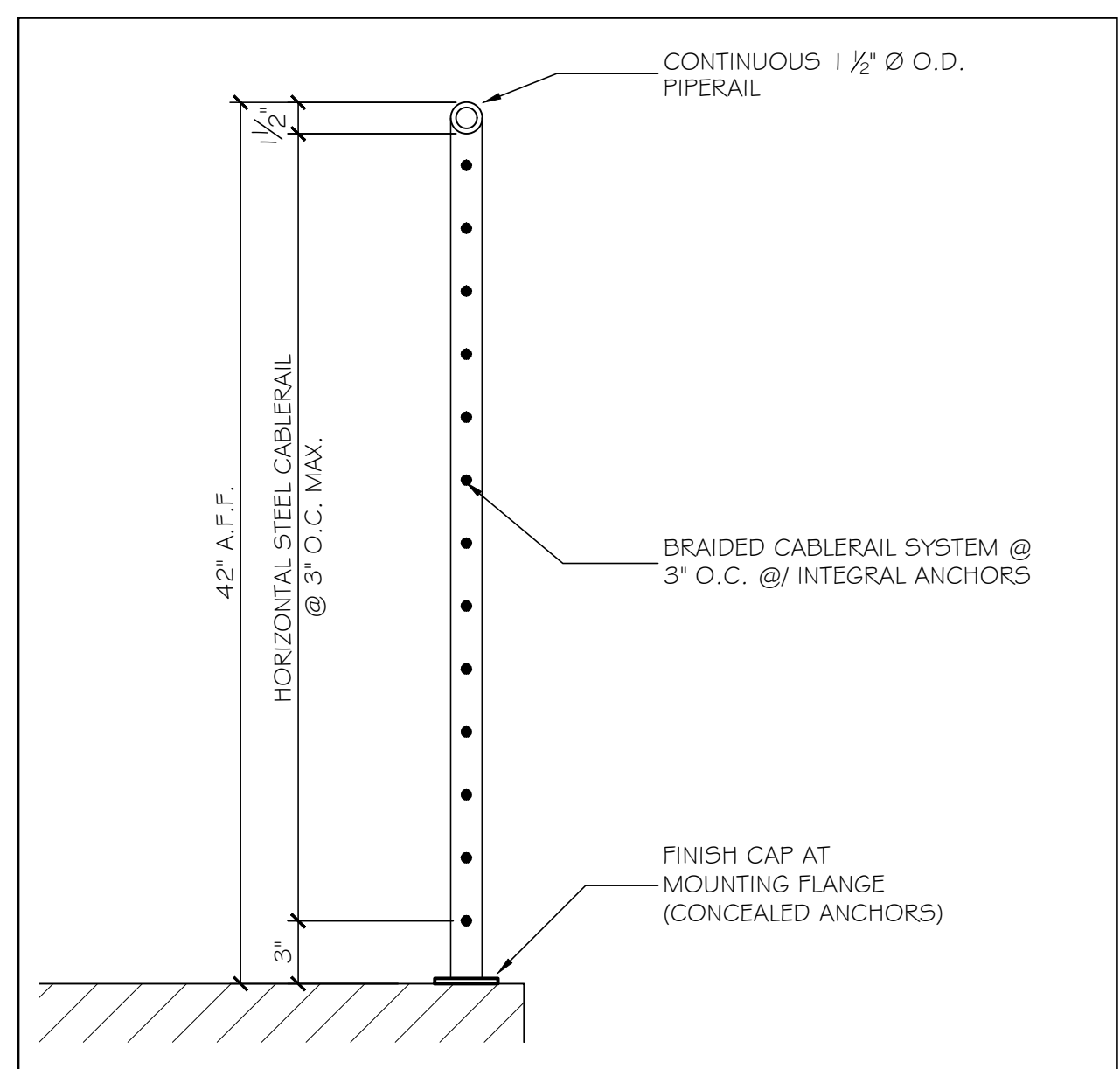
COPYRIGHT REPRODUCTION OR RELIANCE OF THIS DOCUMENT WITHOUT WRITTEN PERMISSION FROM GRANT HAYS ASSOCIATES IS PROHIBITED.



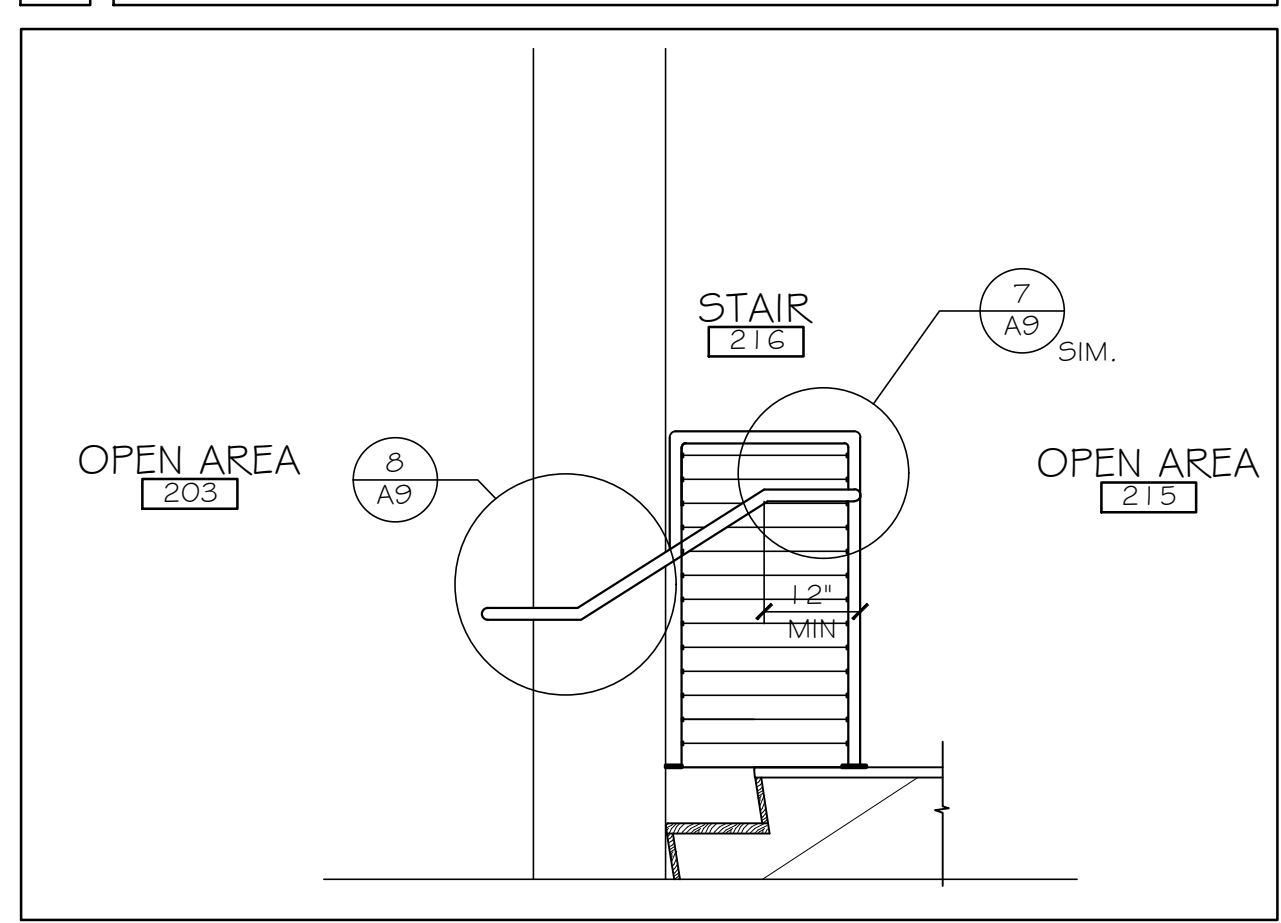
① STAIRS AT OPEN AREA [215] / [203] 1" = 1'-0"



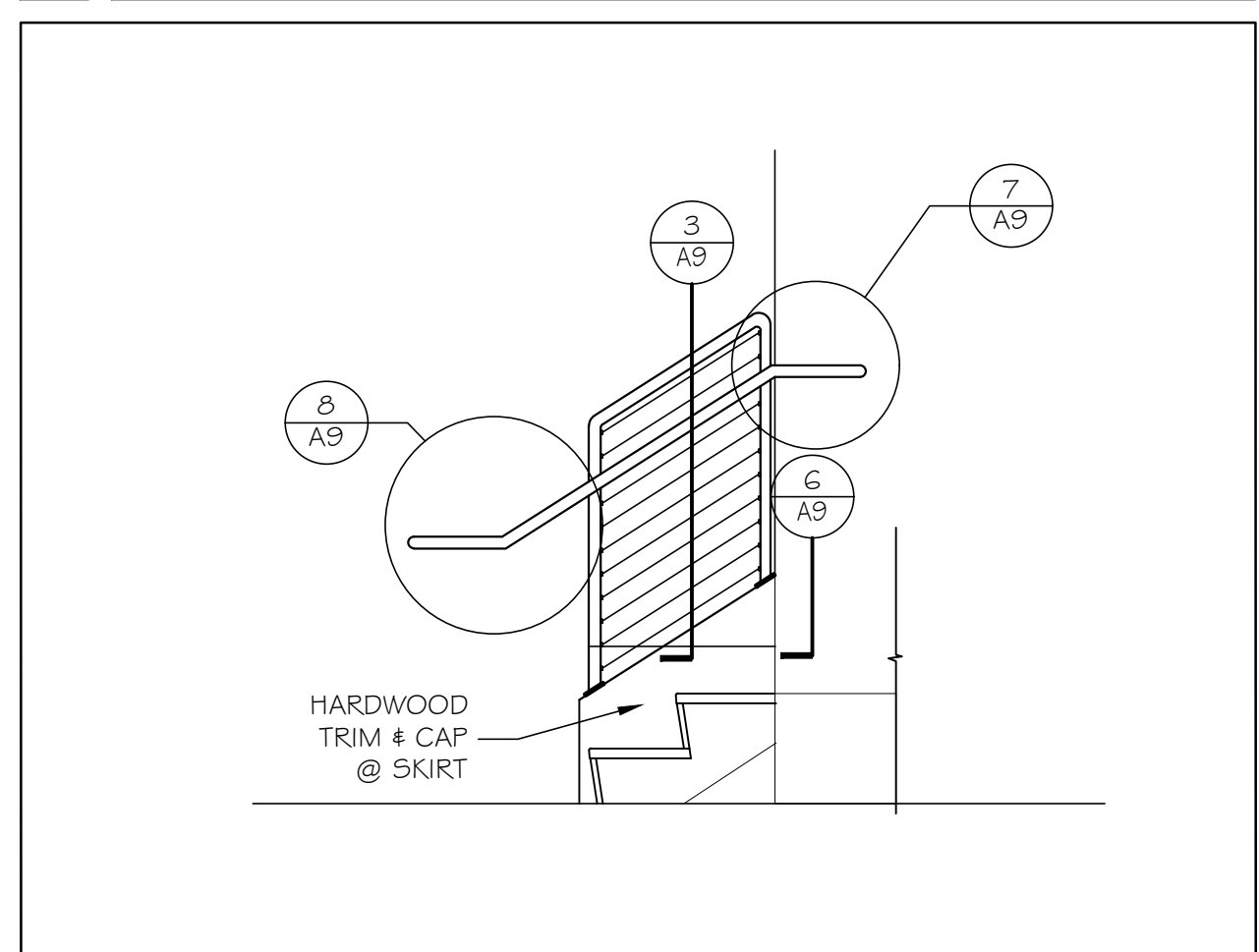
② STAIRS AT LOBBY [201] 1" = 1'-0"



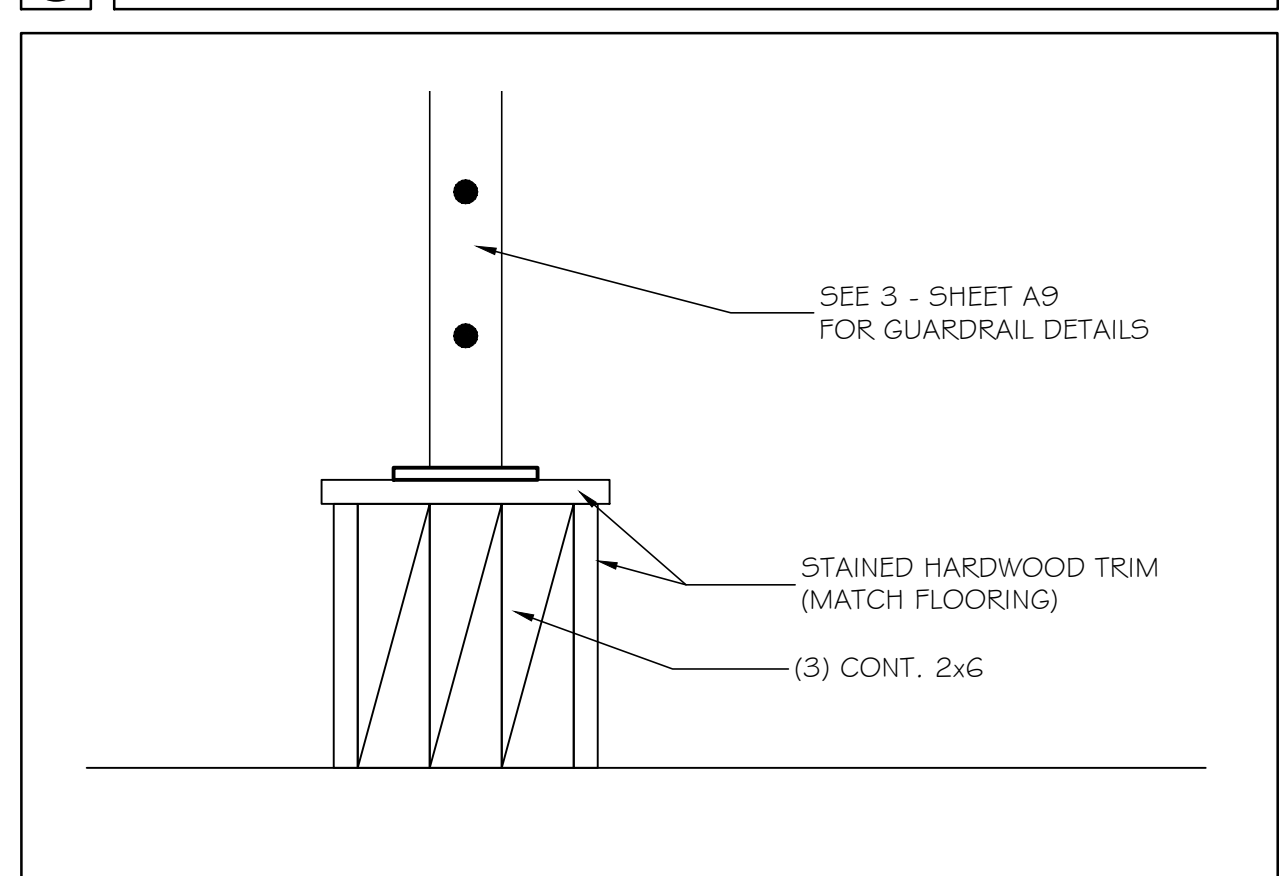
③ GUARDRAIL AT FLOOR OPENING, SECTION 1/2" = 1'-0"



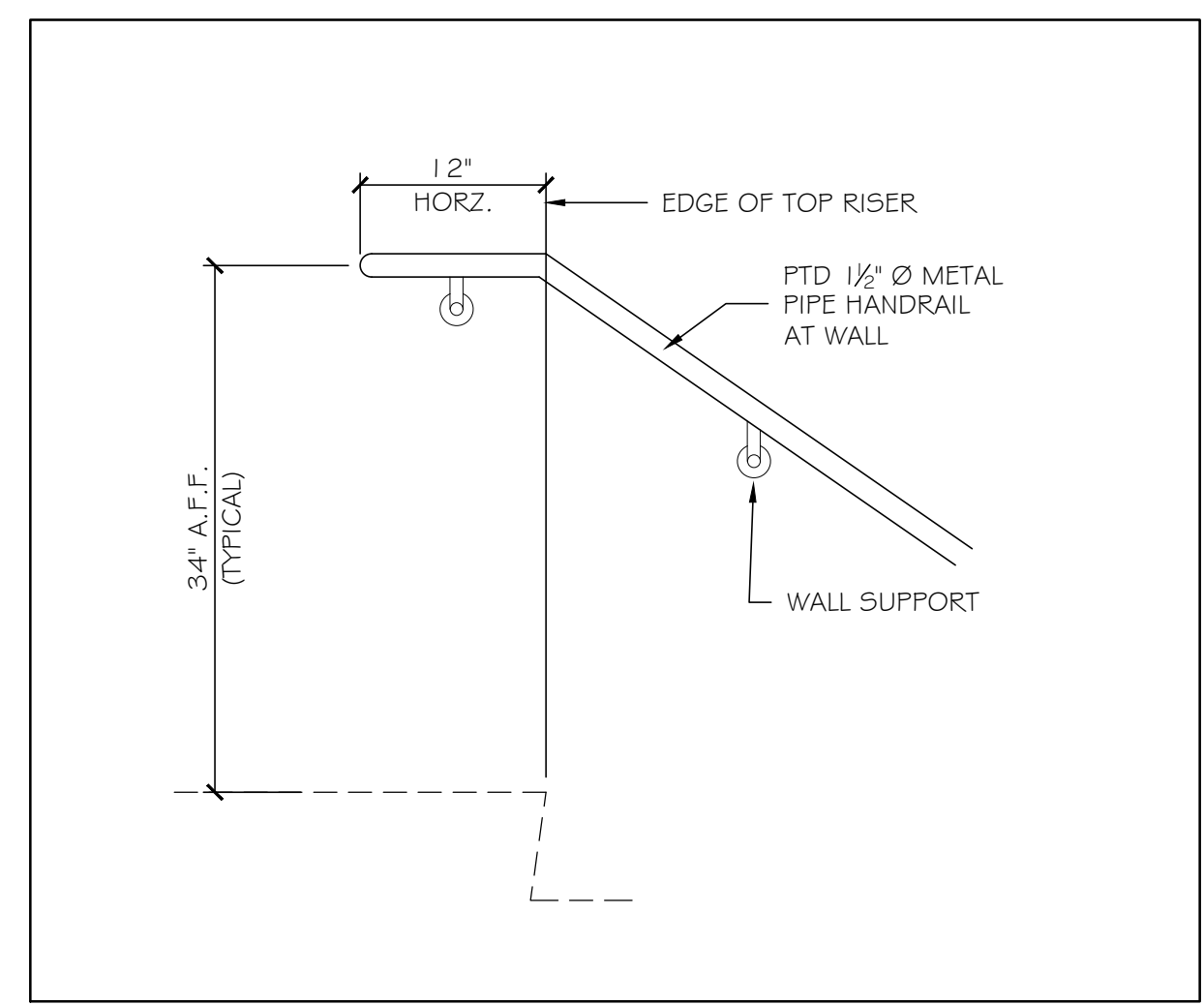
④ GUARDRAIL ELEVATION AT STAIR [216] 1/2" = 1'-0"



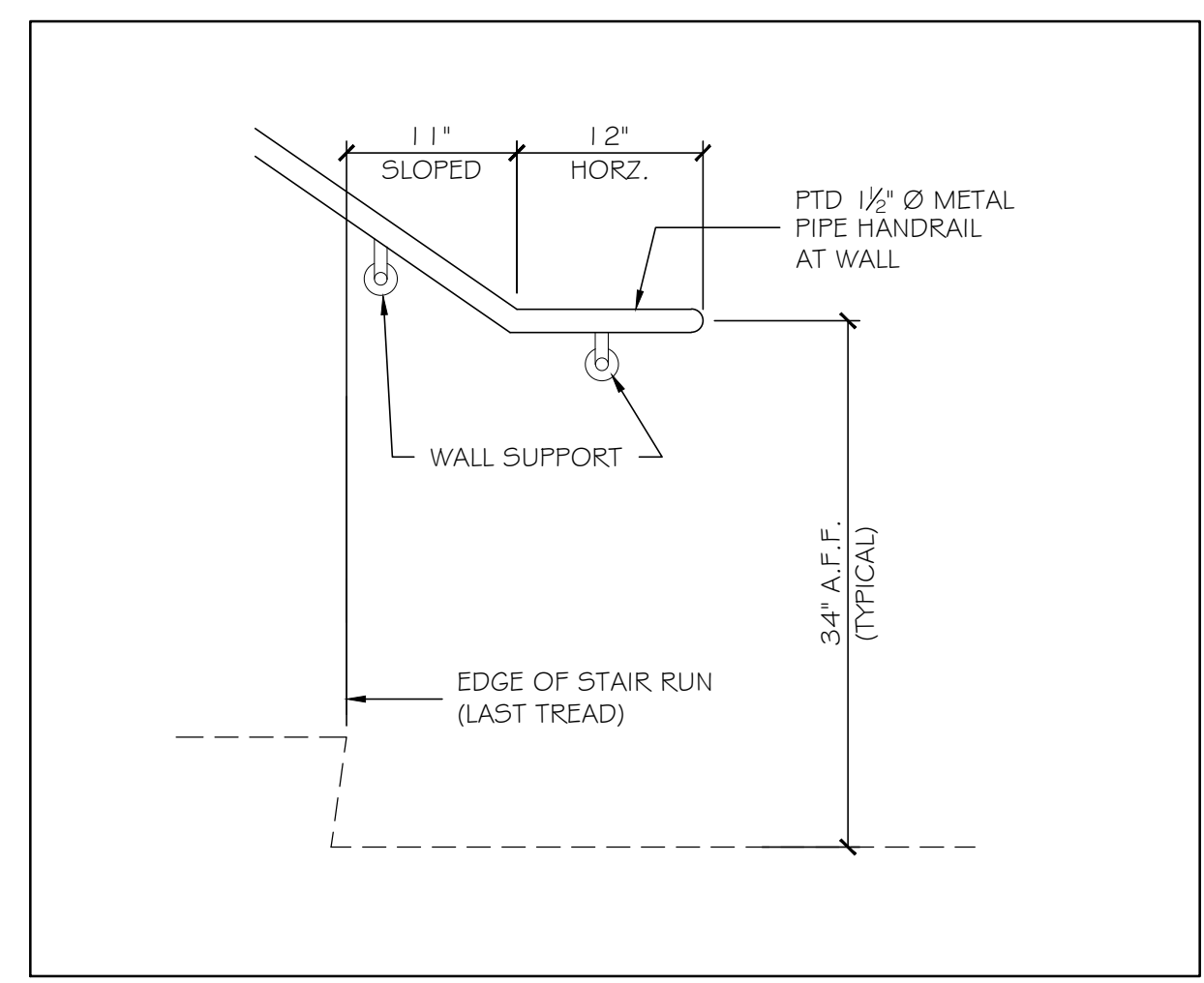
⑤ GUARDRAIL ELEVATION AT LOBBY [201] 1/2" = 1'-0"



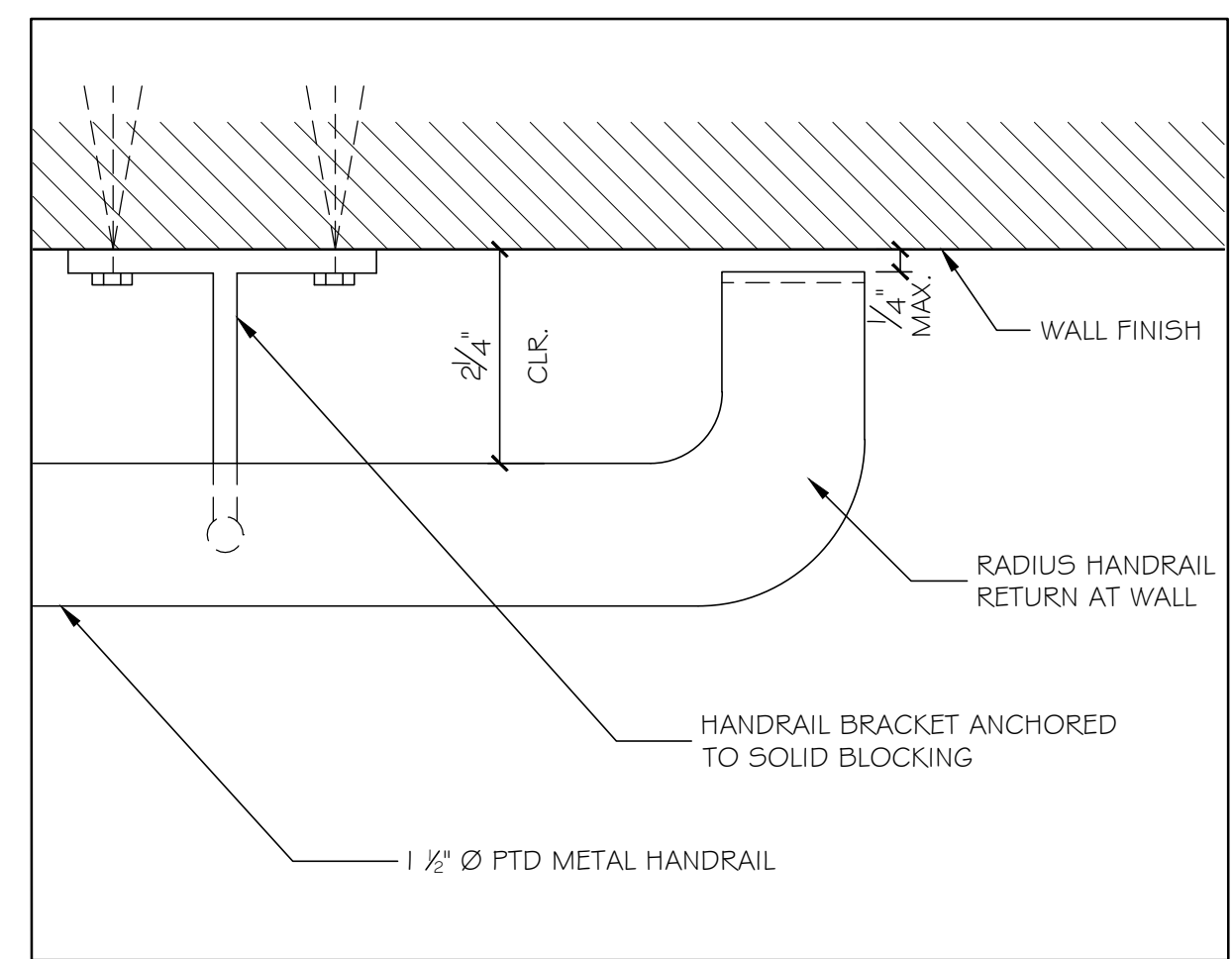
⑥ SECTION DETAIL AT SLOPED SKIRT BOX 3" = 1'-0"



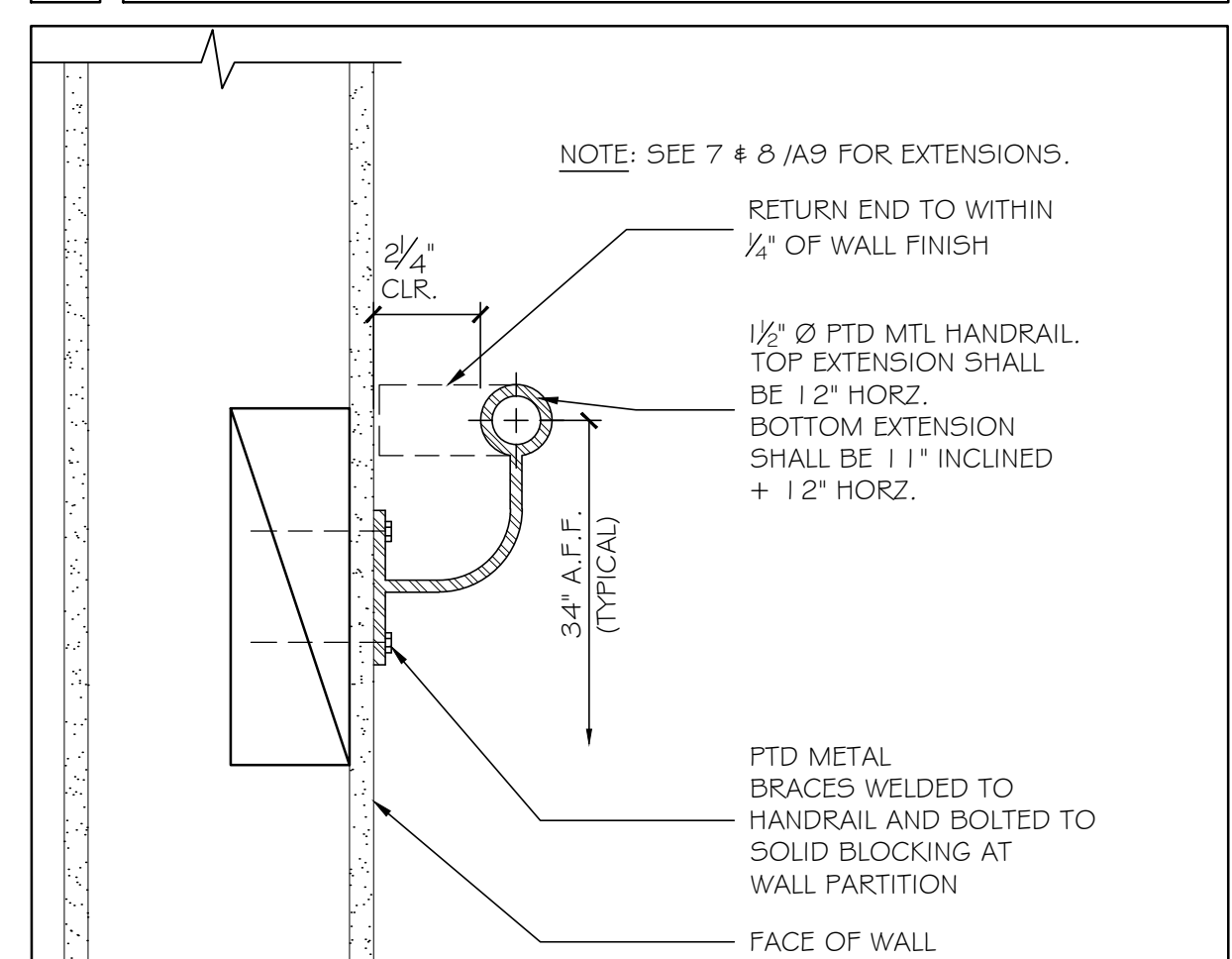
⑦ TYPICAL WALL HANDRAIL - TOP 1" = 1'-0"



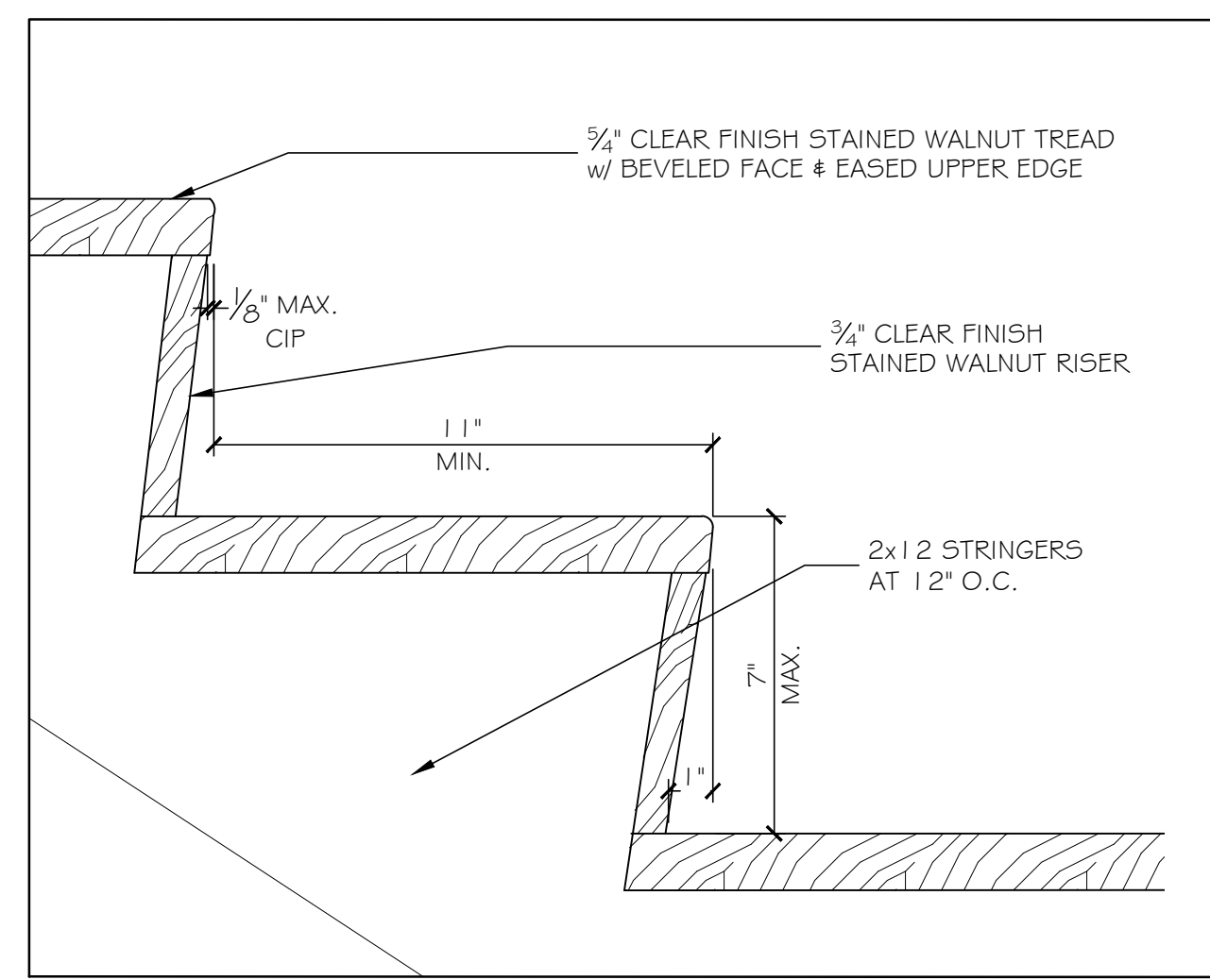
⑧ TYPICAL WALL HANDRAIL - BOTTOM 1" = 1'-0"



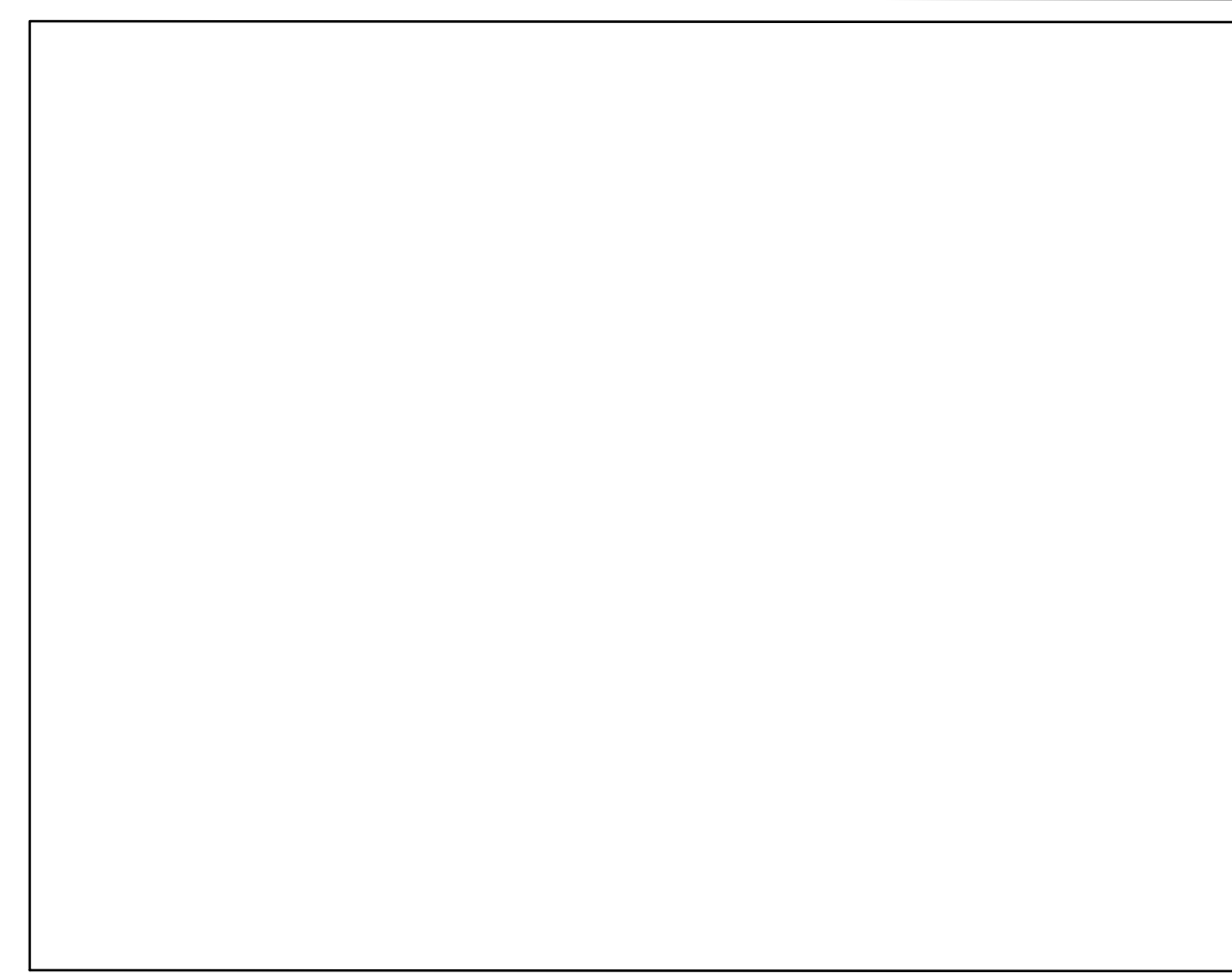
⑨ TYPICAL HANDRAIL RETURN AT WALL 6" = 1'-0"



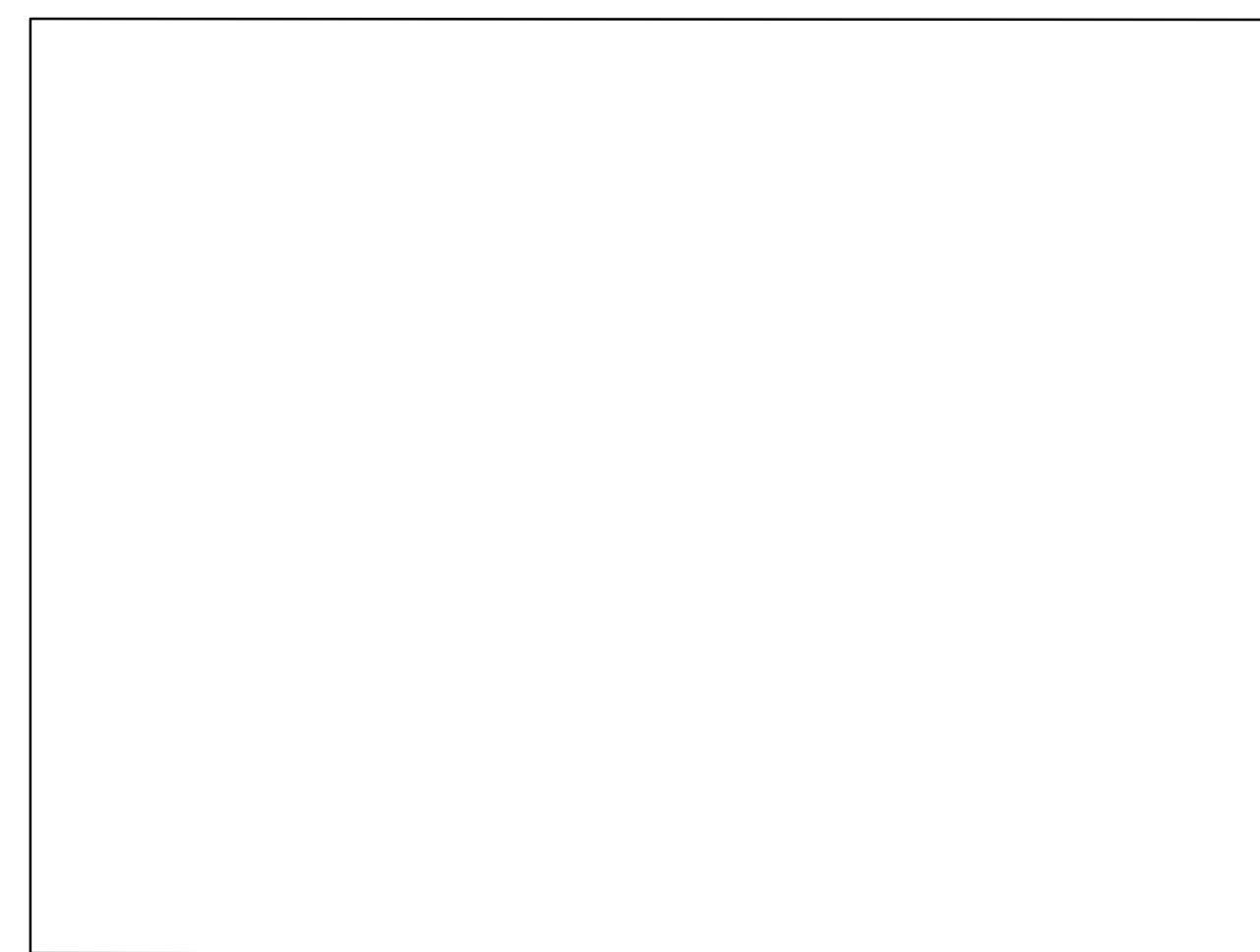
⑩ TYPICAL WALL HANDRAIL SECTION 3" = 1'-0"



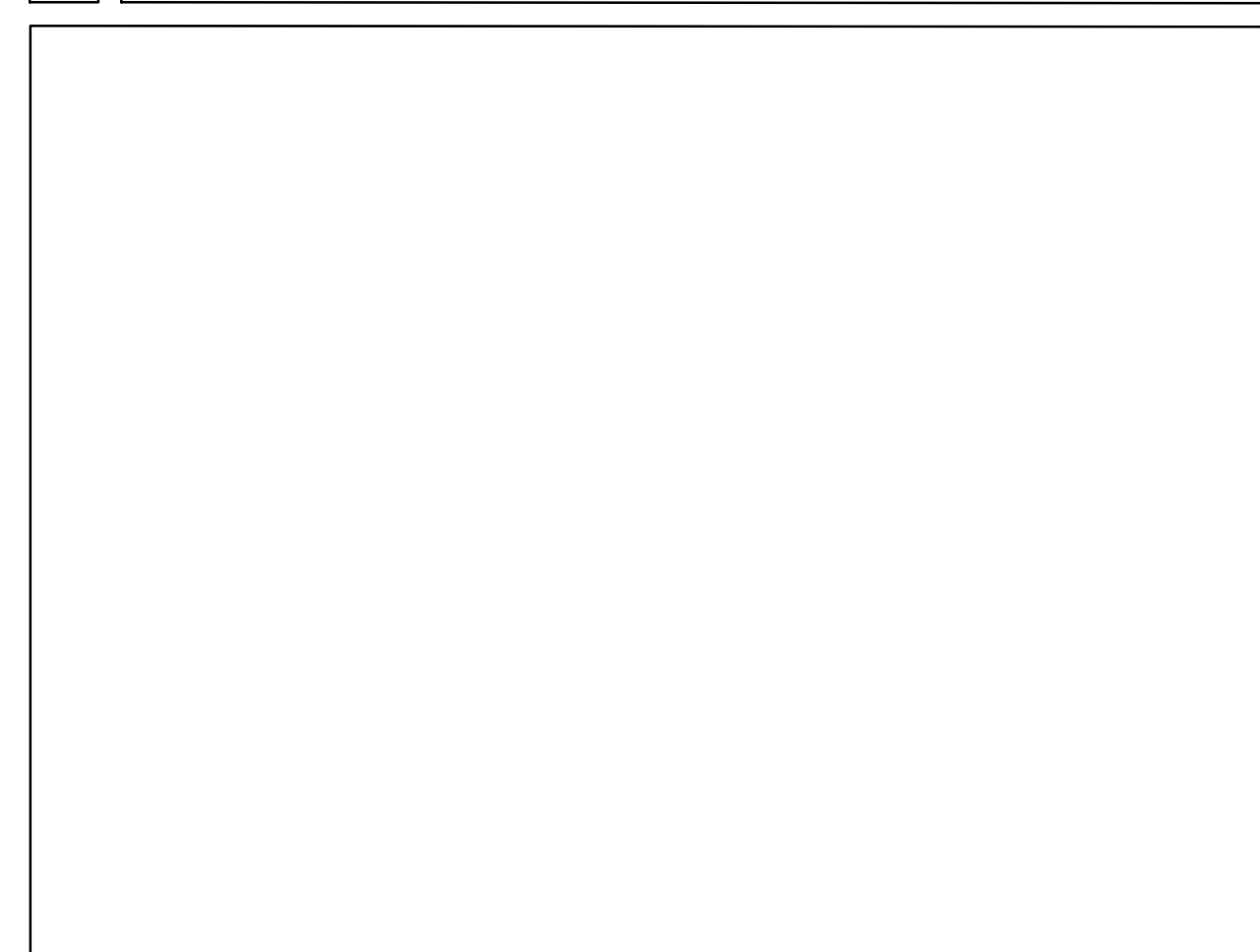
⑪ TYPICAL STAIR RISER / TREAD DETAIL 3" = 1'-0"



⑫



⑬



⑭