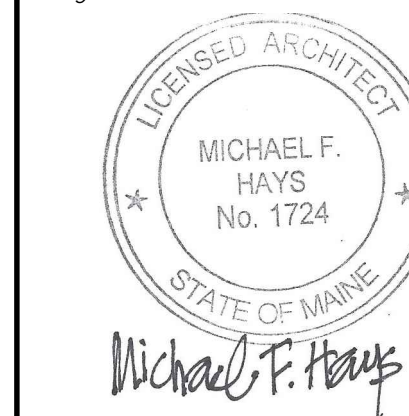


GRANT HAYS ASSOCIATES
 ARCHITECTURE & INTERIOR DESIGN
 P.O. BOX 6179 FALMOUTH MAINE 04105
 207.871.5900 www.granthays.com

SCALE



REVISIONS

DRAWING NAME

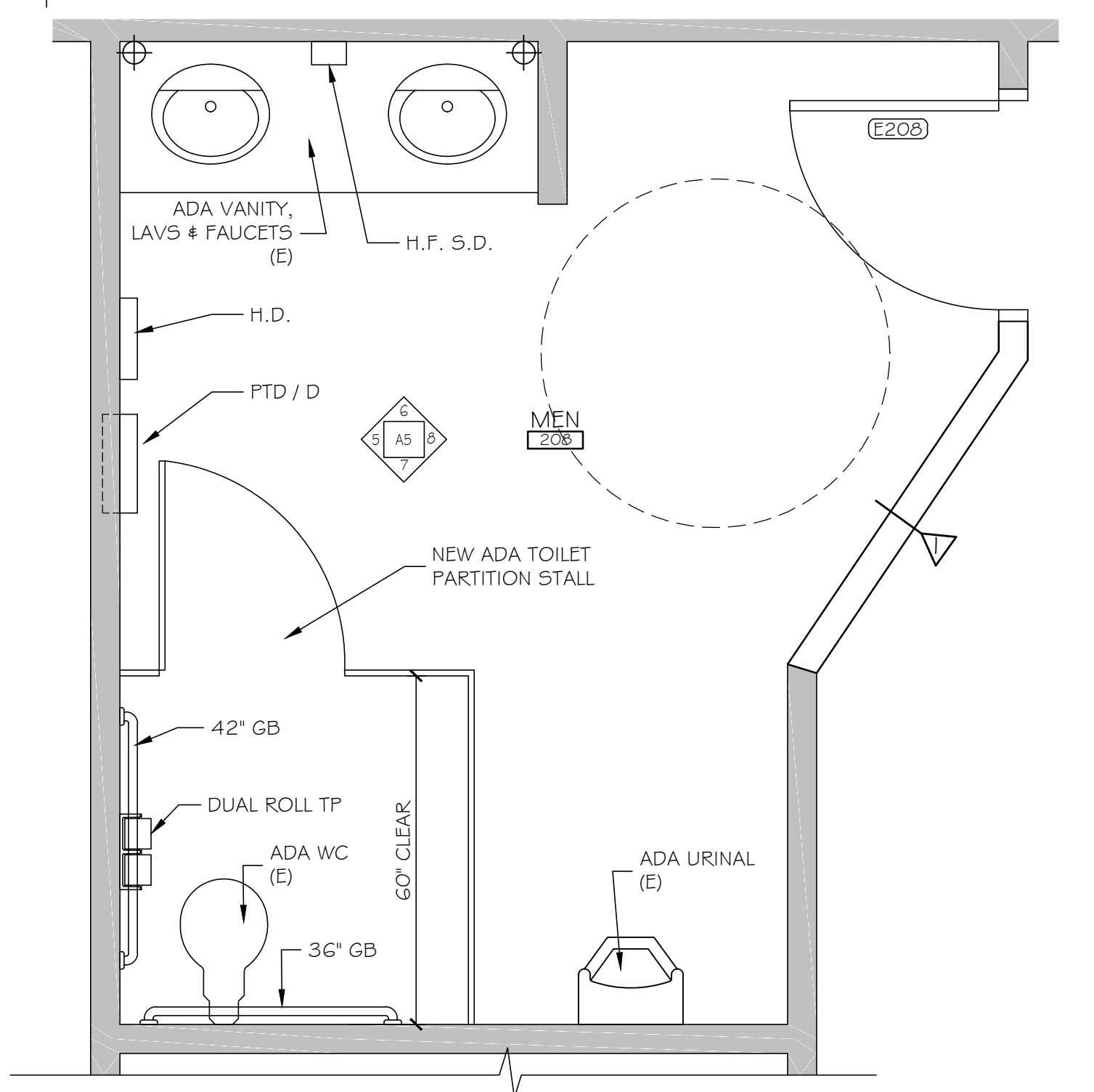
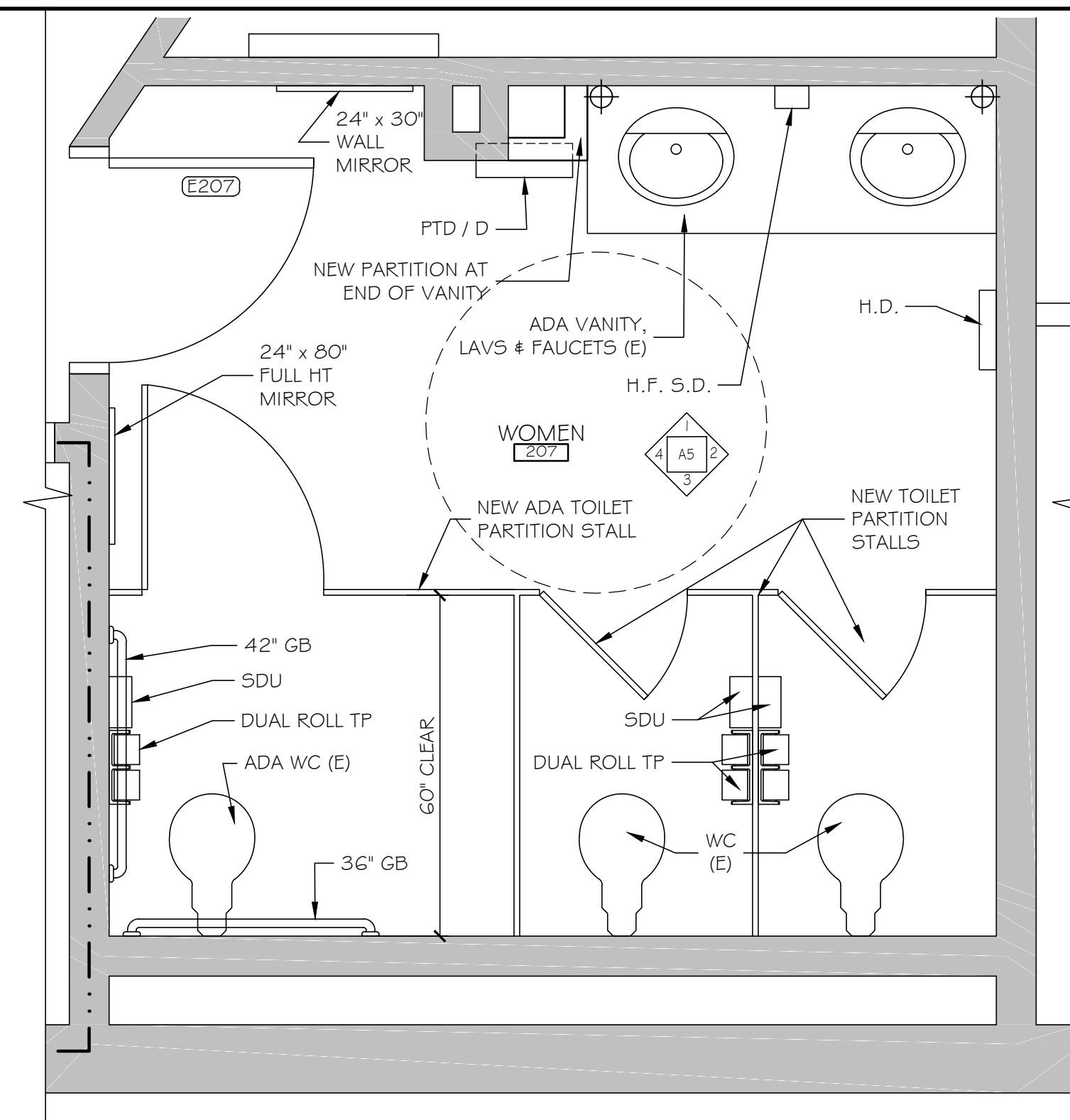
MEMIC RENOVATION TO THE SECOND FLOOR OFFICES
 245 COMMERCIAL ST. PORTLAND, MAINE 04101

SHEET

MEN'S & WOMEN'S TOILET ROOMS

DATE: 15 SEPT 2017
 SCALE: 1/2"=1'-0"
 DRAWN: MFH/mgk
 JOB NO.: 170831

SHEET **A-5**
 COPYRIGHT REPRODUCTION OR REV. OF THIS DOCUMENT WITHOUT WRITTEN PERM. FROM GRANT HAYS ASSOCIATES IS PROHIBITED.

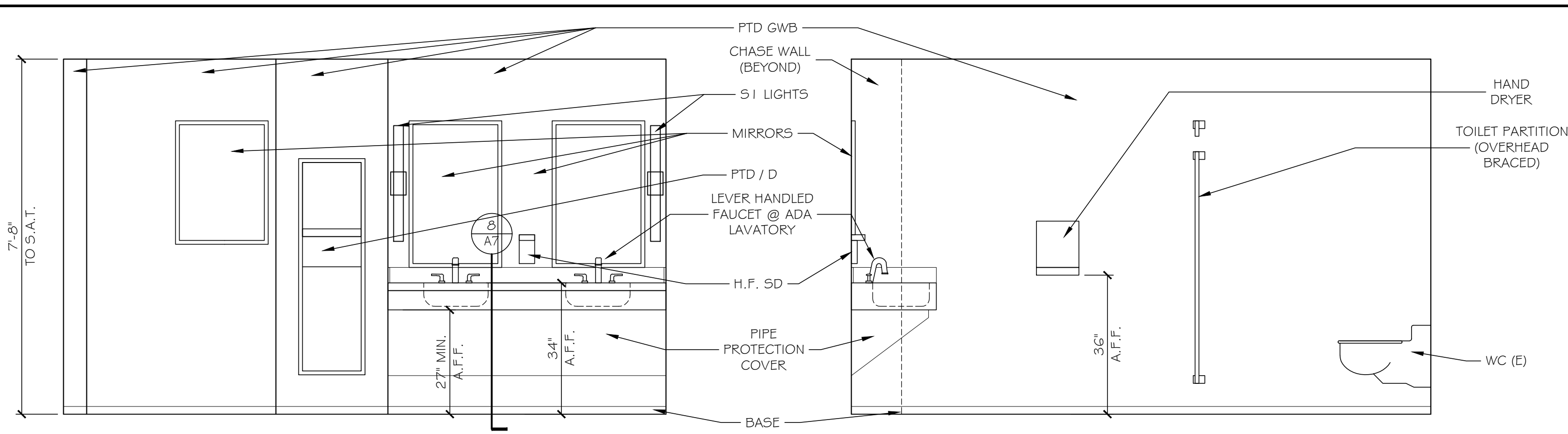


1 WOMENS 407 AND MENS 408
 SCALE: 1/2" = 1'-0"

NOTE: SEE SHEET A-9 FOR MOUNTING HEIGHTS AND LOCATIONS OF TOILET ACCESSORIES FOR ACCESSIBILITY COMPLIANCE.

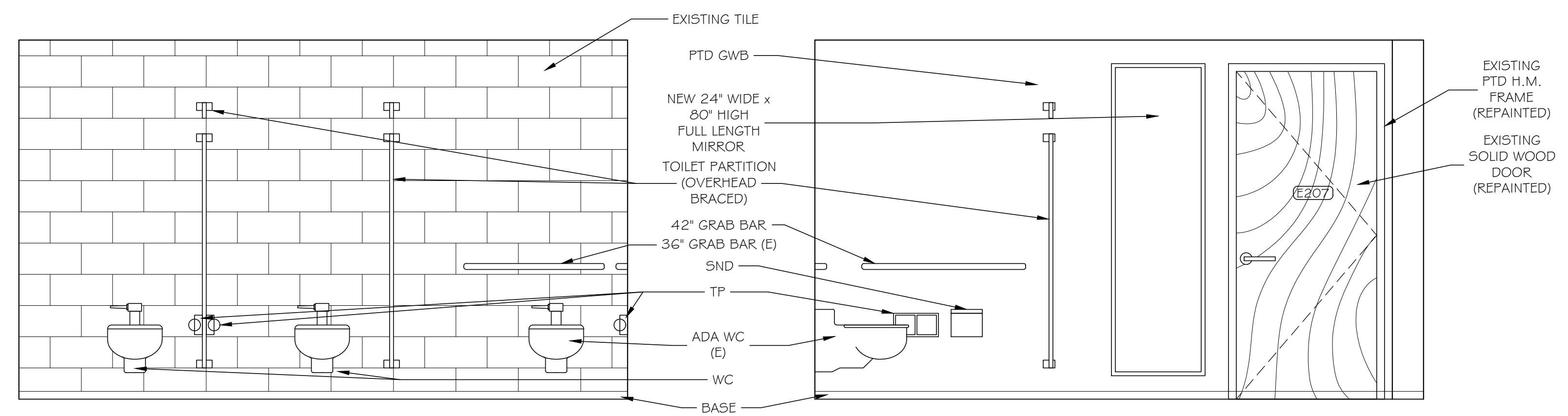
- GENERAL NOTES
1. NEW TOILET PARTITIONS SHALL BE FLOOR MOUNTED TYPE, OVERHEAD BRACED.
 2. ALL TOILET PARTITIONS, TOILET ACCESSORIES & PLUMBING FIXTURES SHALL BE NEW.
 3. NEW VANITY SHALL MATCH EXISTING VANITY DESIGN, FINISHES & COLOR AT 261 COMMERCIAL STREET (19 CROSS STREET) TOILET ROOMS.
 4. REFER TO SHEET A-11 FOR ALL MOUNTING HEIGHTS.

TOILET ACCESSORIES		
TAG	ITEM	COMMENTS
G.B.	GRAB BAR	BOBRICK B-580G-99
T.P.	DUAL ROLL TOILET PAPER DISPENSER	PROVIDED BY OWNER
S.D.U.	SANITARY DISPOSAL UNIT	BOBRICK B-270
PTD / D	PAPER TOWEL DISPENSER & DISPOSAL	BOBRICK B-3961
H.F. S.D.	HANDS-FREE SOAP DISPENSER	PROVIDED BY OWNER (KIMBERLEY-CLARK)
H.D.	HAND-DRYER	BOBRICK B-712B
MIRRORS	MIRRORS-VANITY	BOBRICK B-165-243G
MIRROR	MIRROR, FULL HEIGHT	24" W x 80" H



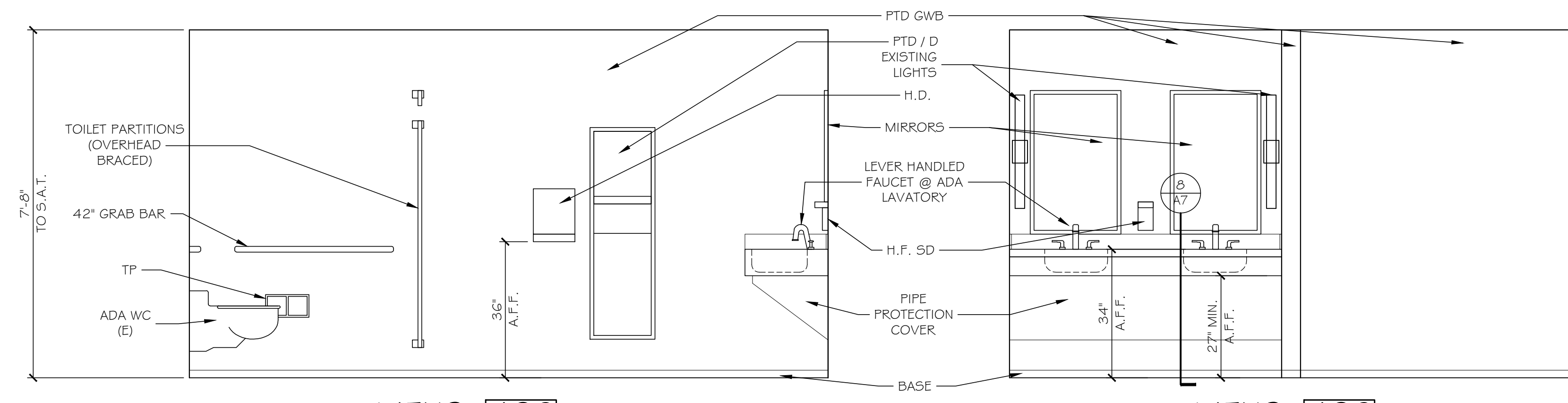
1 WOMENS 407
 SCALE: 1/2" = 1'-0"

2 WOMENS 407
 SCALE: 1/2" = 1'-0"



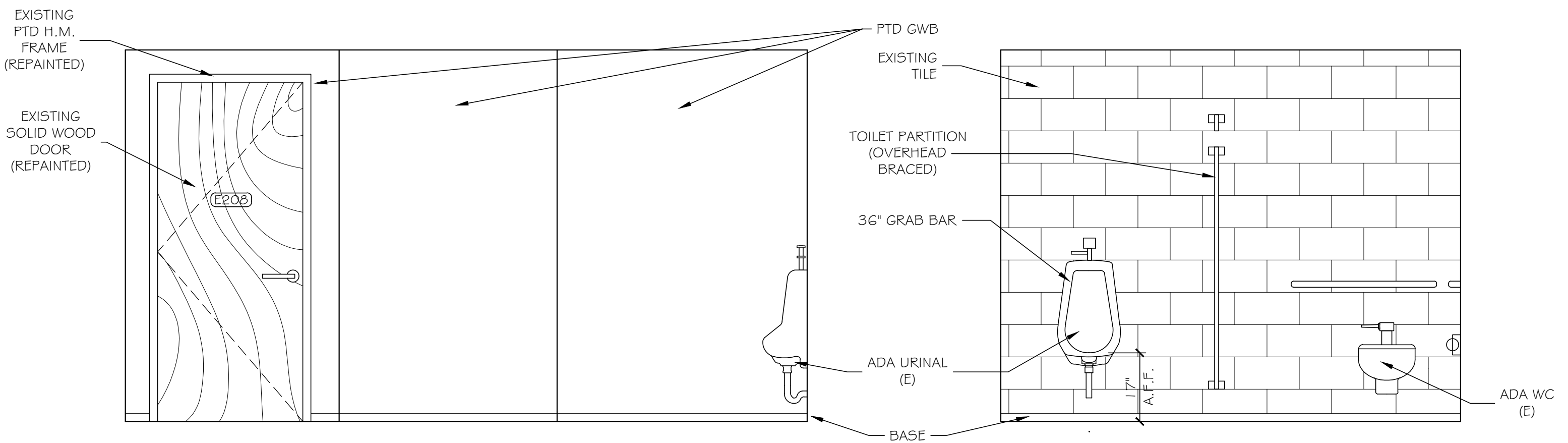
3 WOMENS 407
 SCALE: 1/2" = 1'-0"

4 WOMENS 407
 SCALE: 1/2" = 1'-0"



5 MENS 408
 SCALE: 1/2" = 1'-0"

6 MENS 408
 SCALE: 1/2" = 1'-0"



7 MENS 408
 SCALE: 1/2" = 1'-0"

8 MENS 408
 SCALE: 1/2" = 1'-0"