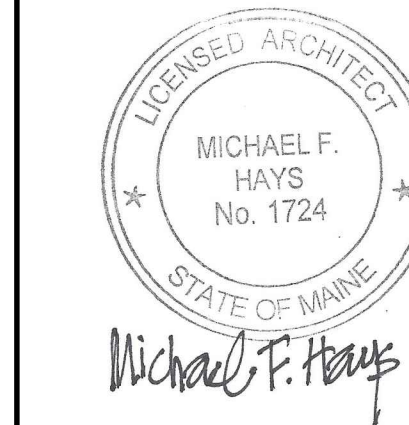


SCALE



REVISIONS

DRAWING NAME

MEMIC  
RENOVATION TO THE  
FOURTH FLOOR OFFICES  
245 COMMERCIAL ST. PORTLAND, MAINE 04101

MEET

ACCESSIBILITY  
DETAILS  
& NOTES

DATE  
30 MAY 2017

SCALE  
NO SCALE

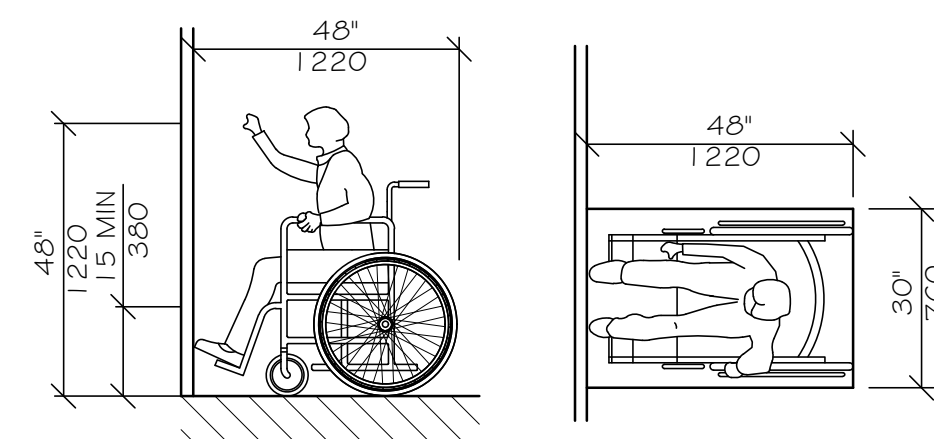
DRAWN  
MFH/mgk

JOB NO.  
170515

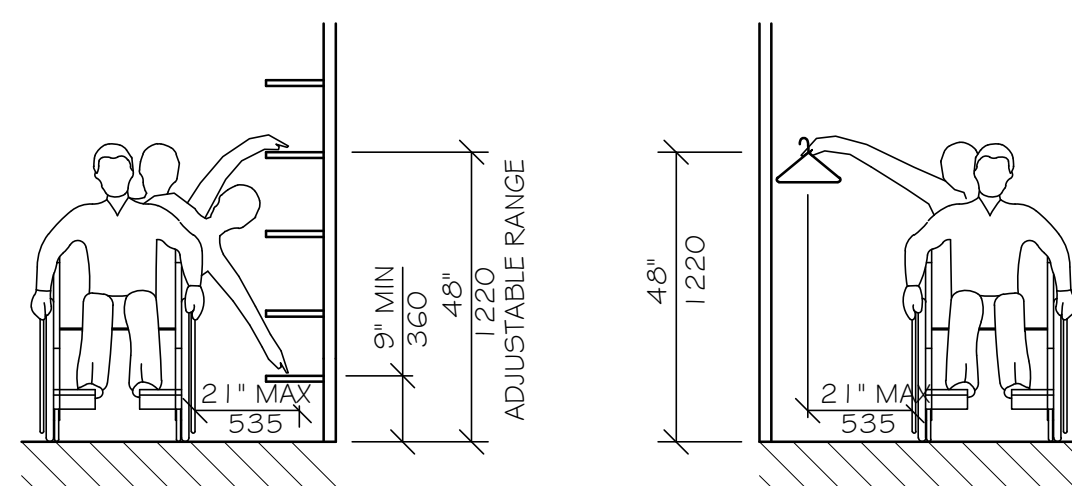
HEET

A-7

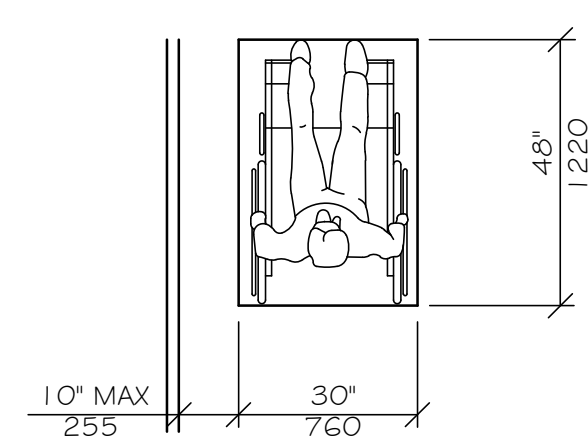
COPYRIGHT  
REPRODUCTION OR REVISE OF THIS  
DOCUMENT WITHOUT WRITTEN  
PERMISSION FROM GRANT HAYS  
ASSOCIATES IS PROHIBITED.



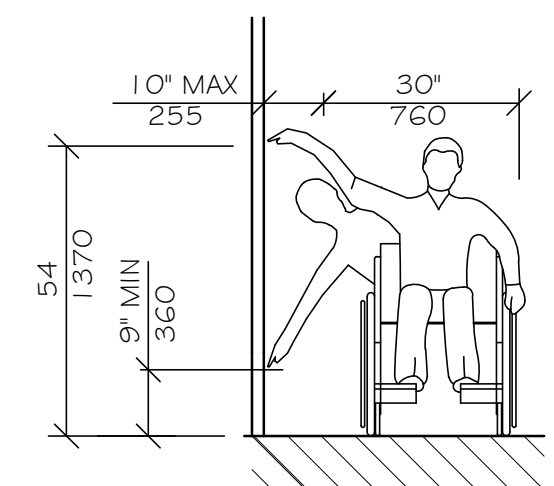
HIGH FORWARD REACH LIMIT  
NTS



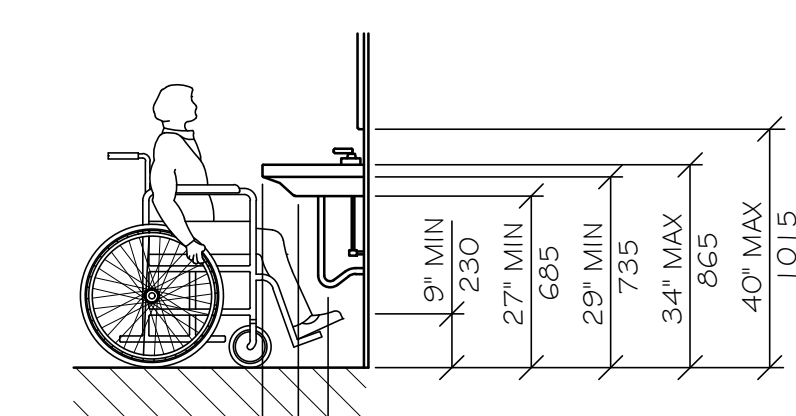
SHELVES  
CLOSETS  
STORAGE SHELVES AND CLOSETS  
NTS



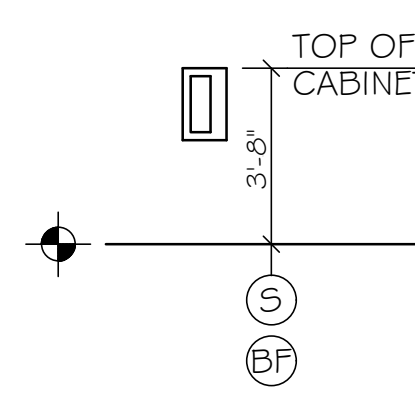
CLEAR FLOOR SPACE  
PARALLEL APPROACH  
NTS



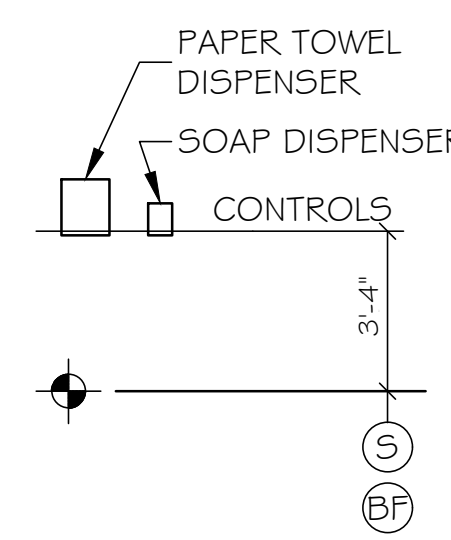
HIGH AND LOW  
SIDE REACH LIMITS  
NTS



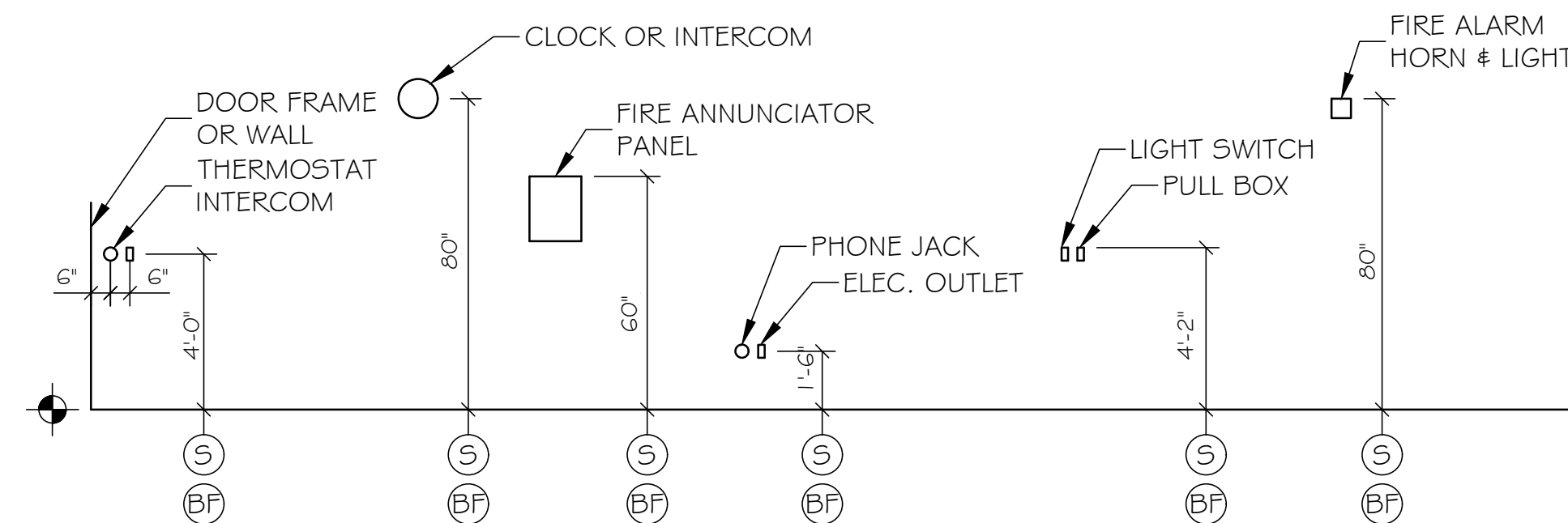
LAVATORY CLEARANCES  
NTS



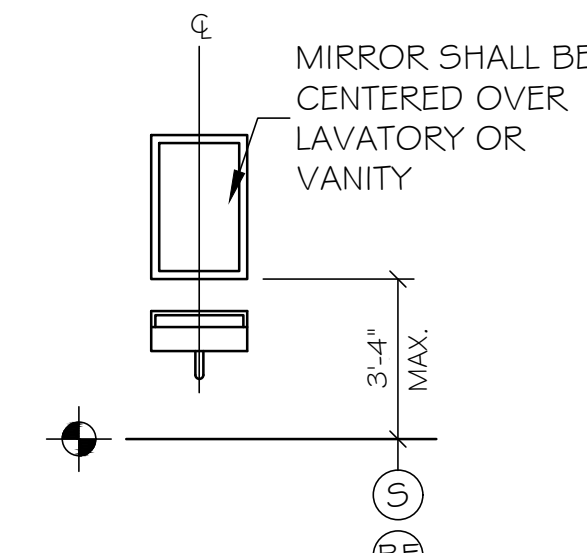
FIRE EXTINGUISHER  
CABINET (FEC)  
NTS



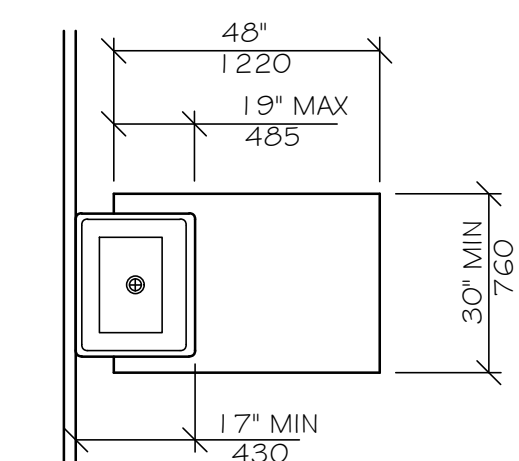
TOWEL & SOAP DISPENSERS  
NTS



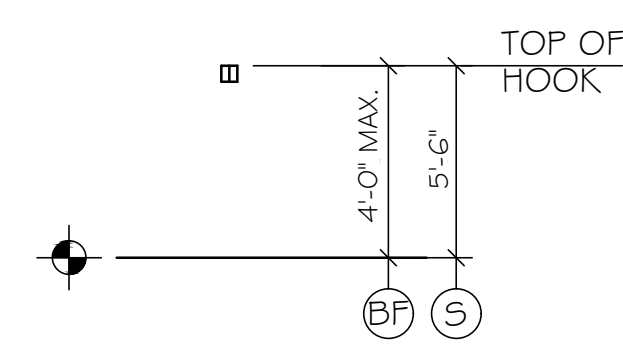
ELECTRICAL & FIRE PROTECTION DEVICES  
TYPICAL UNLESS NOTED OTHERWISE  
NTS



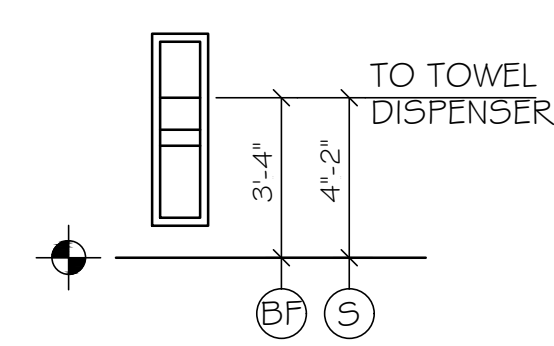
MIRROR OR MEDICINE CABINET  
NTS



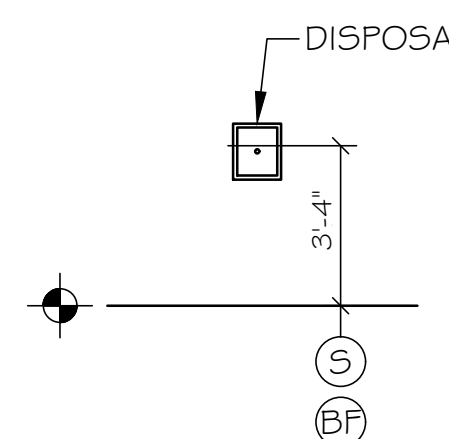
CLEAR FLOOR SPACE  
AT LAVATORIES  
NTS



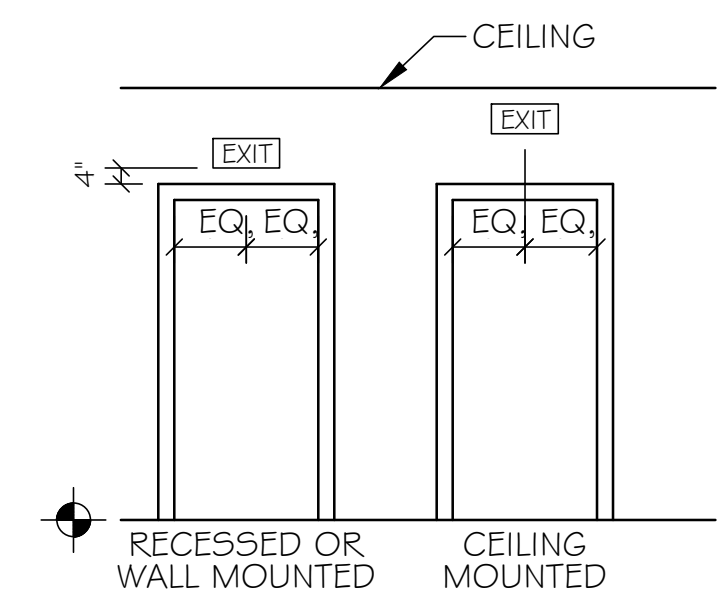
CLOTHES HOOK  
NTS



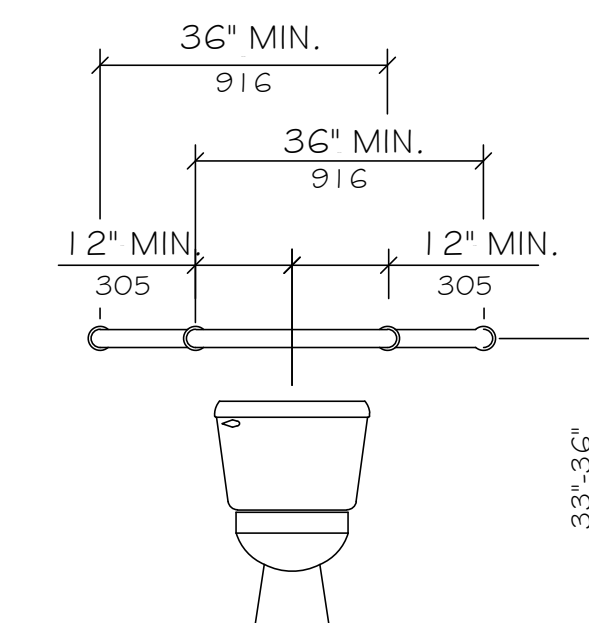
TOWEL DISPENSER  
DISPOSAL UNIT  
NTS



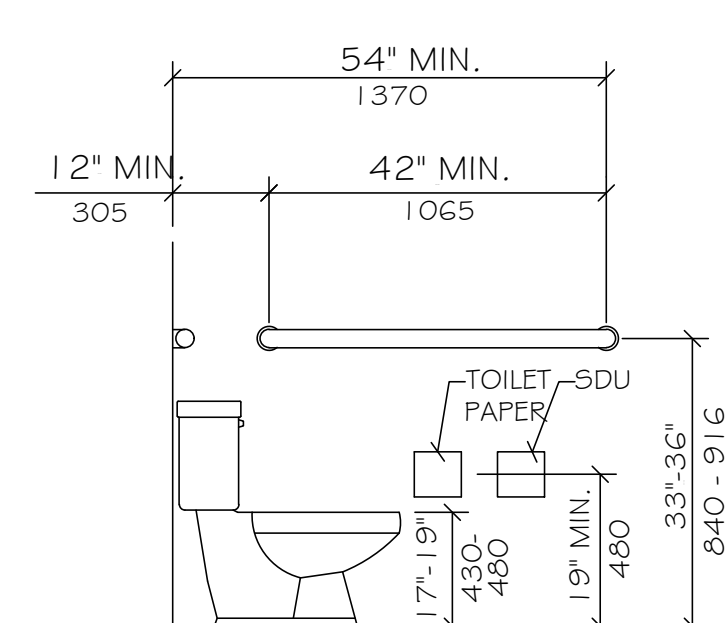
SANITARY  
DISPOSAL UNIT  
NTS



EXIT SIGNS  
(TYPICAL UNLESS OTHERWISE NOTED)  
NTS



GRAB BARS AT WATER CLOSETS  
NTS



HEIGHT AND DEPTH OF URINAL  
NTS



SIGN A



SIGN B



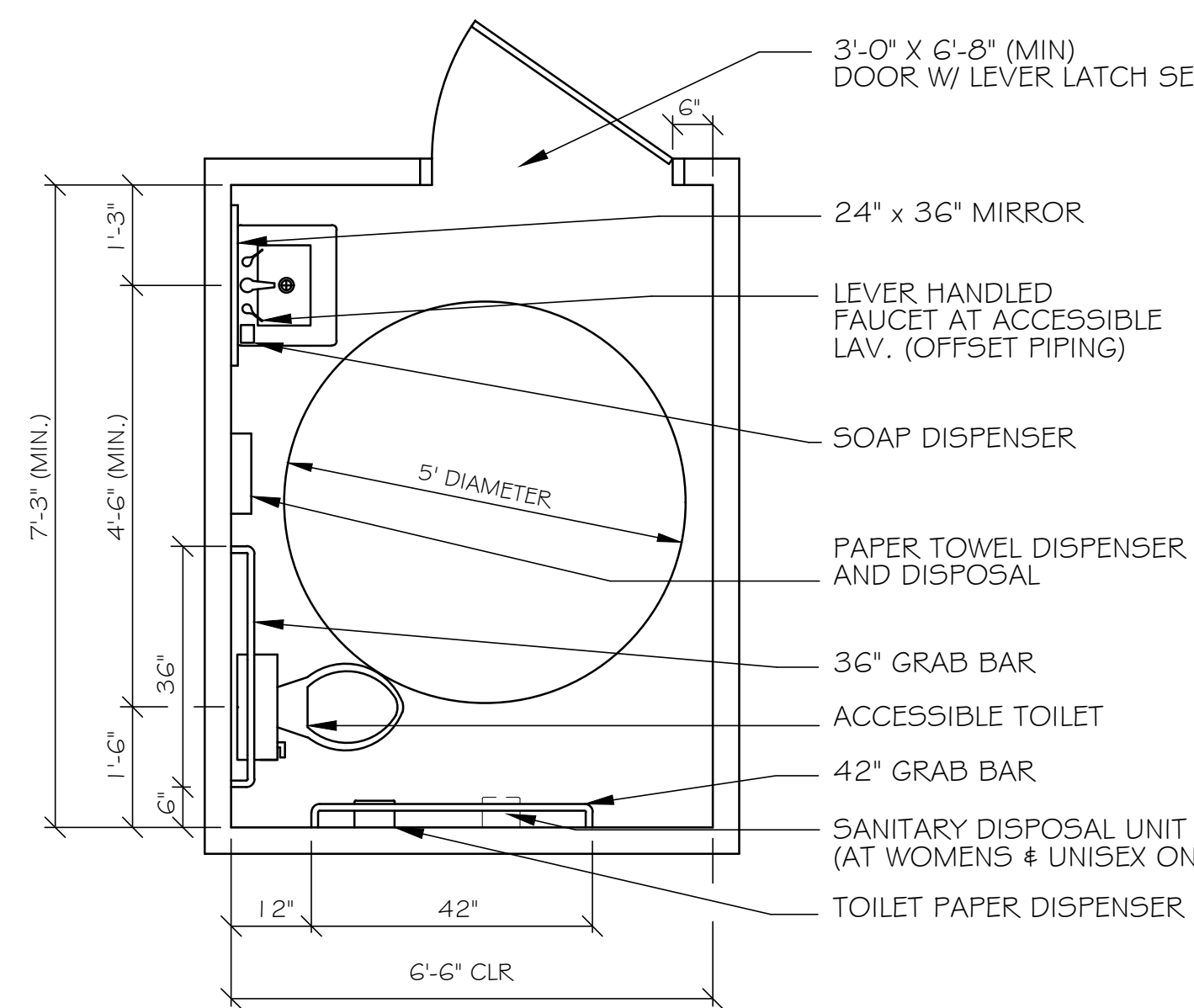
SIGN C

LEGEND

- (S) STANDARD MOUNTING HEIGHT
- (BF) BARRIER FREE ADULT MOUNTING HEIGHT
- (+/-) FINISH FLOOR LINE

NOTE

MOUNT ALL FIXTURES AT STANDARD MOUNTING HEIGHT UNLESS INDICATED ON PLAN BY A SYMBOL. A & B SYMBOL AT ANY ROOM SHALL INCLUDE ONE OF ANY FIXTURE AND ACCESSORY WITHIN THE ROOM.



TYPICAL ACCESSORIES  
NTS

ACCESSIBILITY ACCESSORY  
MOUNTING HEIGHTS

GRAB BARS	33"-36"
TOILET PAPER HOLDER	19" MIN
TOWEL BAR/PAPER TOWEL DISPENSER	48" MAX
BUILT IN PAPER TOWEL DISPENSER	48" MAX
SOAP DISH/DISPENSER AT WALL	48" MAX
SANITARY DISPOSAL UNIT	19" MAX
MIRROR (BOTTOM)	40" MAX
SHelves/STORAGE	48" MAX
ELECTRICAL SWITCHES/OUTLETS	48" MAX
COAT HOOKS/RODS	48" MAX
SIGNAGE (TO BRAILLE COMPONENT)	60" MAX

ACCESSIBILITY GENERAL NOTES

1. DOORWAYS SHALL HAVE A MINIMUM CLEAR WIDTH OF 32" WITH THE DOOR OPEN 90 DEGREES. MEASURED BETWEEN THE FACE OF THE DOOR AND THE OPPOSITE STOP.
2. ALL DOORS SHALL HAVE LEVER HANDLE HARDWARE, EXCEPT AT SECURED STORAGE ROOMS, MECHANICAL ROOMS, AND ELEVATOR MACHINE ROOMS.
3. ALL CLOSERS SHALL BE 5LB PULL MAXIMUM AT DOORS EQUIPPED WITH LEVER HANDLE HARDWARE.
4. ALL DOORS WITH CLOSERS SHALL HAVE 18" CLEAR DISTANCE FROM THE LATCHSIDE OF THE OPENING TO ANY ADJACENT WALL OR OBSTRUCTION ON THE PULL SIDE OF THE OPENING.
5. ALL DOORS WITH CLOSERS SHALL HAVE 12" CLEAR DISTANCE FROM THE LATCHSIDE OF THE OPENING TO ANY ADJACENT WALL OR OBSTRUCTION ON THE PUSH SIDE OF THE OPENING.
6. ALL SIGNAGE SHALL BE MOUNTED 60" AFF TO BRAILLE COMPONENT AT LATCH-SIDE WALL OF DOORS AND OPENINGS.
7. COMPLY WITH 2010 EDITION OF THE AMERICANS WITH DISABILITIES ACT.