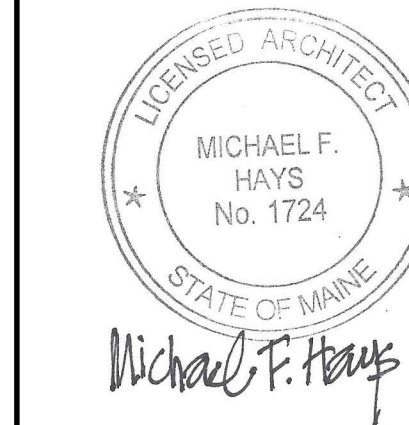


GRANT HAYS
ASSOCIATES
ARCHITECTURE & INTERIOR DESIGN
P.O. BOX 6179 FALMOUTH MAINE 04105
207.871.5900 www.granthays.com

JLAL



REVI/00/

DRAWING NAME

MEMIC
RENOVATION TO THE
FOURTH FLOOR OFFICES
PORTLAND, MAINE 04101
245 COMMERCIAL ST.

/SHEET

MENS TOILET ROOM
& COLLABORATIVE
CAFE

DATE: 30 MAY 2017

SCALE: 1/2"=1'-0"

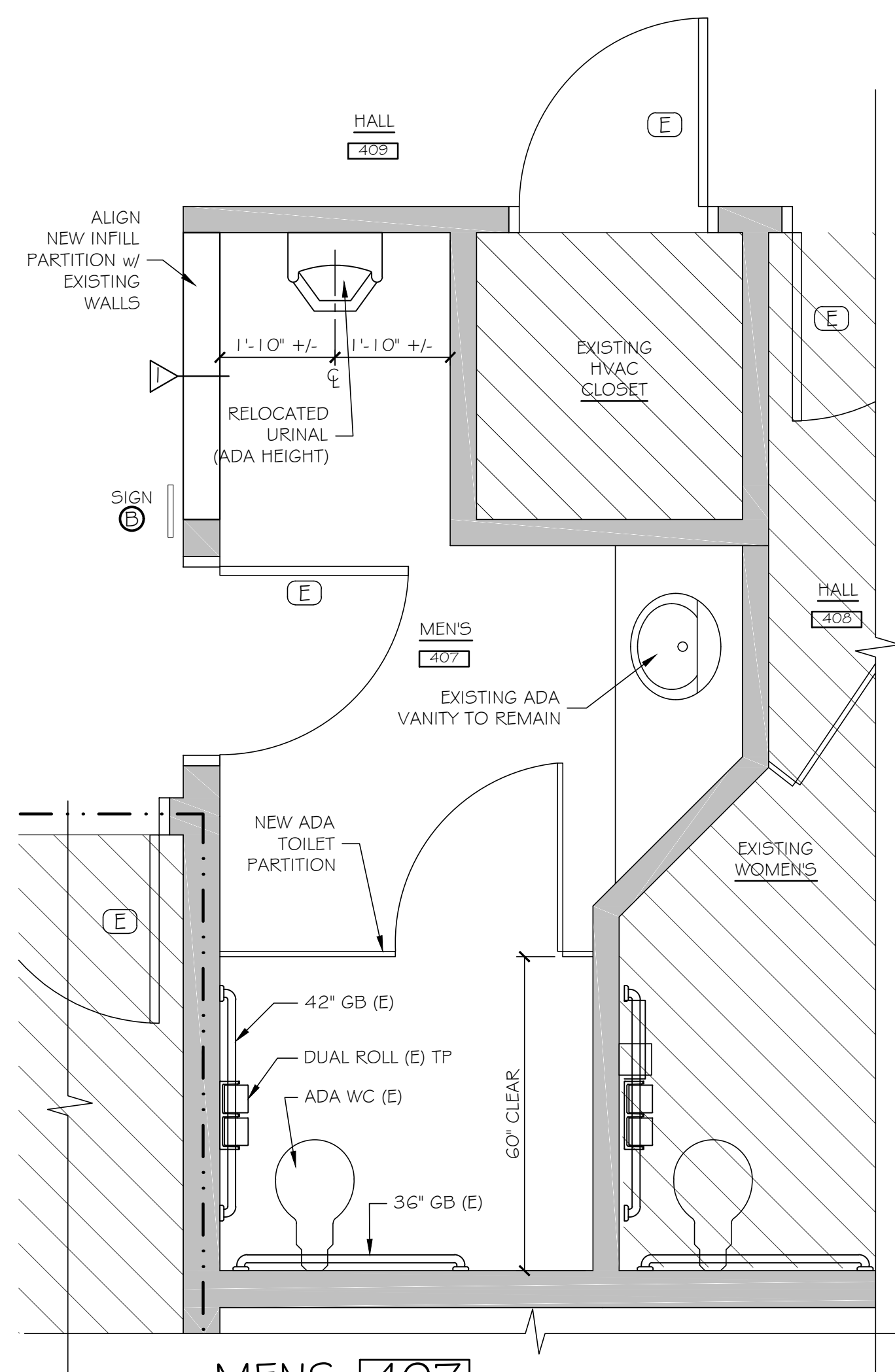
DRAWN: MFH/mgk

JOB NO. 170515

/SHEET

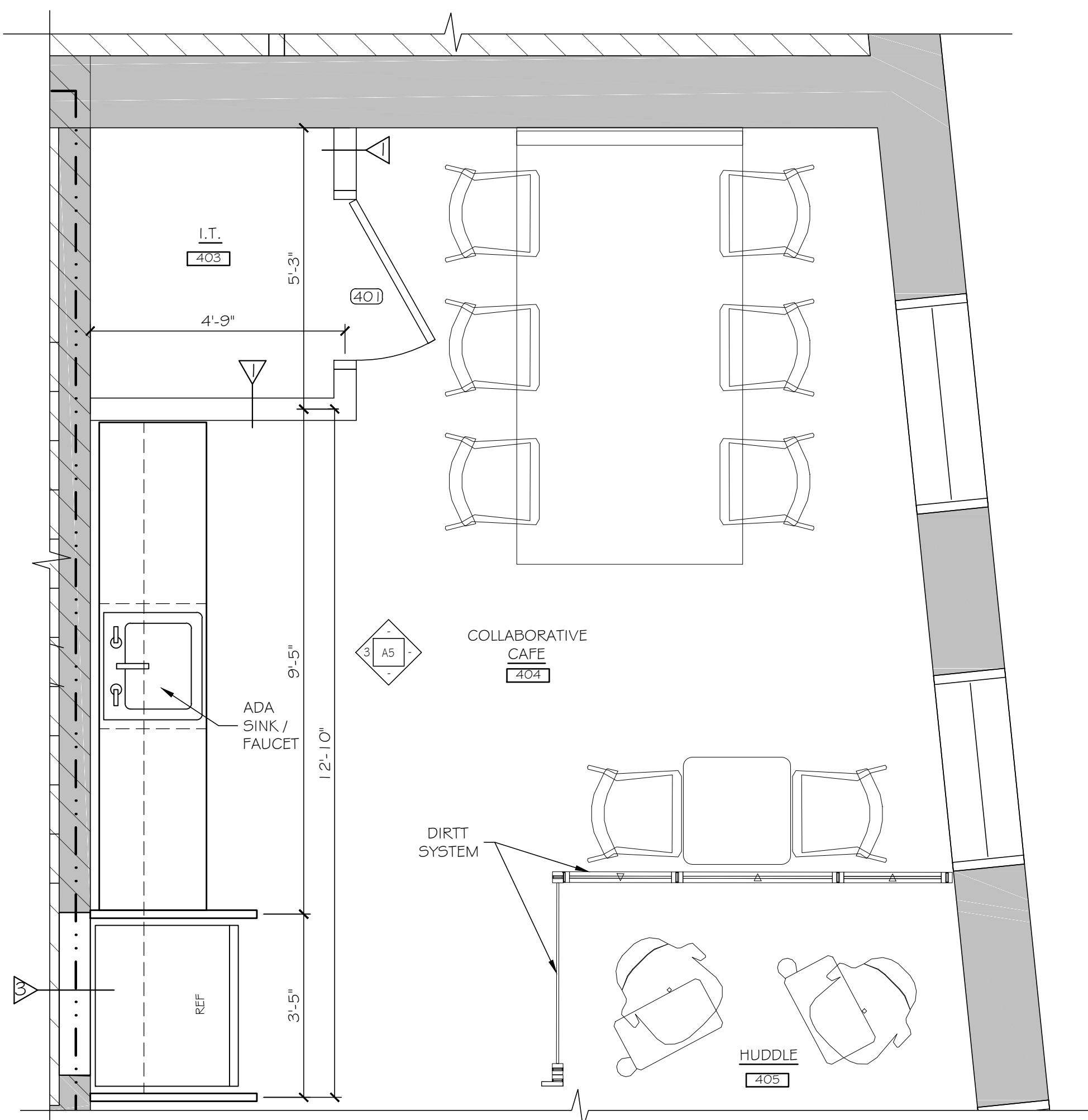
A-5

COPYRIGHT
REPRODUCTION OR REV. OF THIS
DOCUMENT WITHOUT WRITTEN
PERMISSION FROM GRANT HAYS
ASSOCIATES IS PROHIBITED.

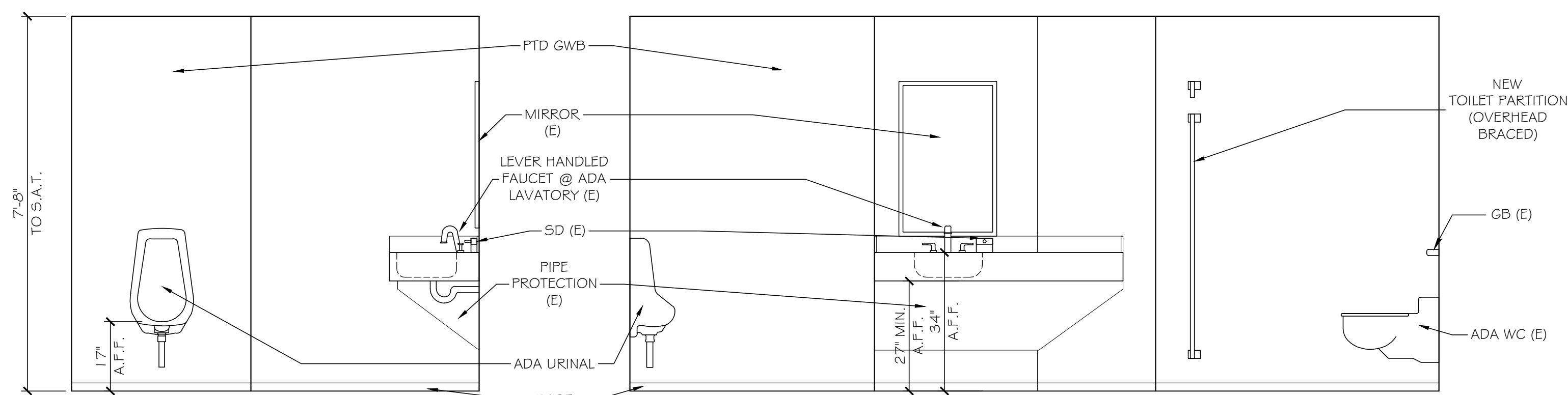


1 MENS 407
SCALE: 1/2" = 1'-0"

NOTE: SEE SHEET A-7 FOR MOUNTING HEIGHTS AND LOCATIONS OF TOILET ACCESSORIES FOR ACCESSIBILITY COMPLIANCE.

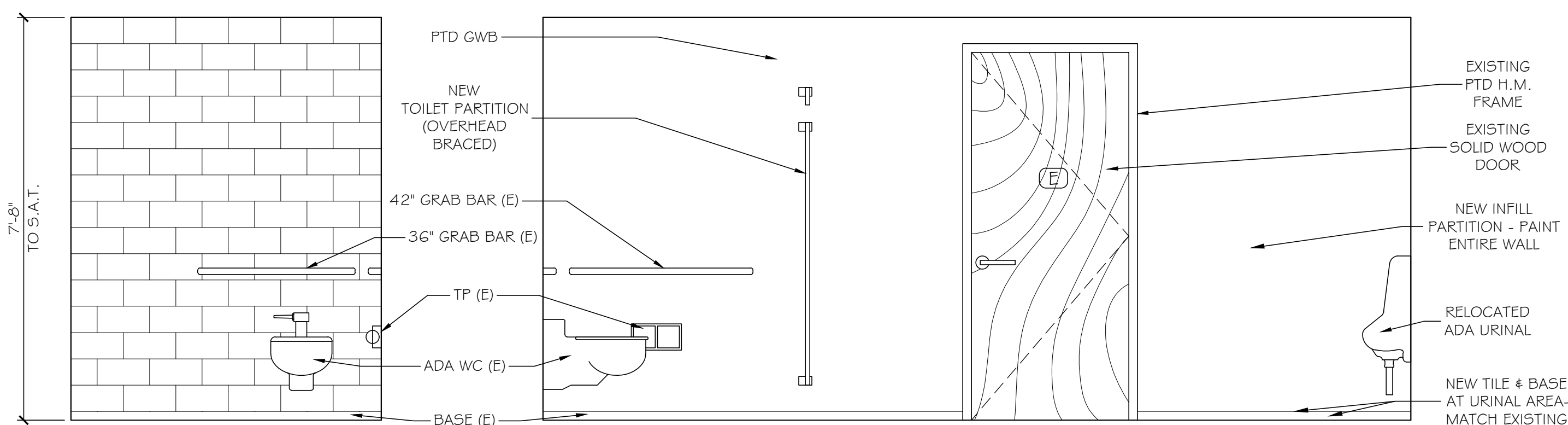


2 COLLABORATIVE CAFE 404
SCALE: 1/2" = 1'-0"



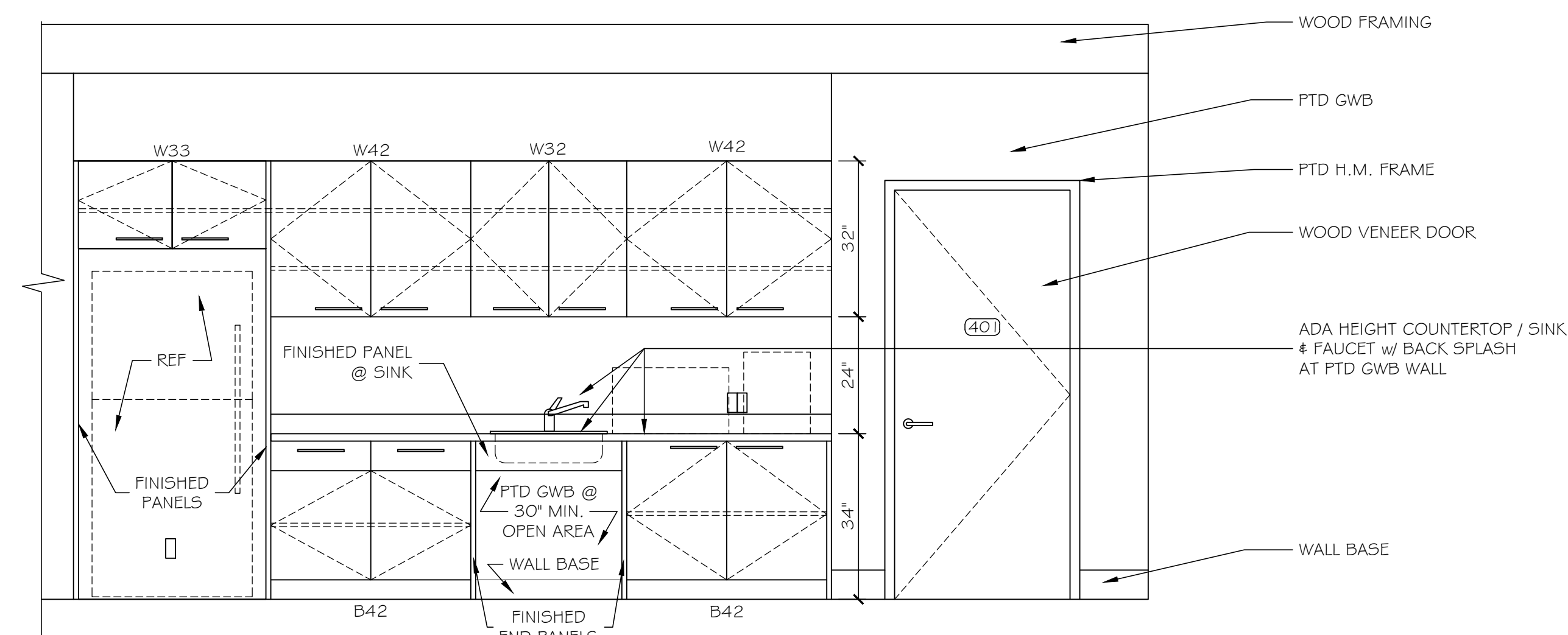
1 MENS 407
SCALE: 1/2" = 1'-0"

2 MENS 407
SCALE: 1/2" = 1'-0"



3 MENS 407
SCALE: 1/2" = 1'-0"

4 MENS 407
SCALE: 1/2" = 1'-0"



5 COLLABORATIVE CAFE 404
SCALE: 1/2" = 1'-0"