

REVISIONS

DRAWING NAME

EXTERIOR WINDOW, DOOR &  
ENTRY STEPS RENOVATION TO  
245-251 COMMERCIAL STREET  
PORTLAND  
MAINE 04101

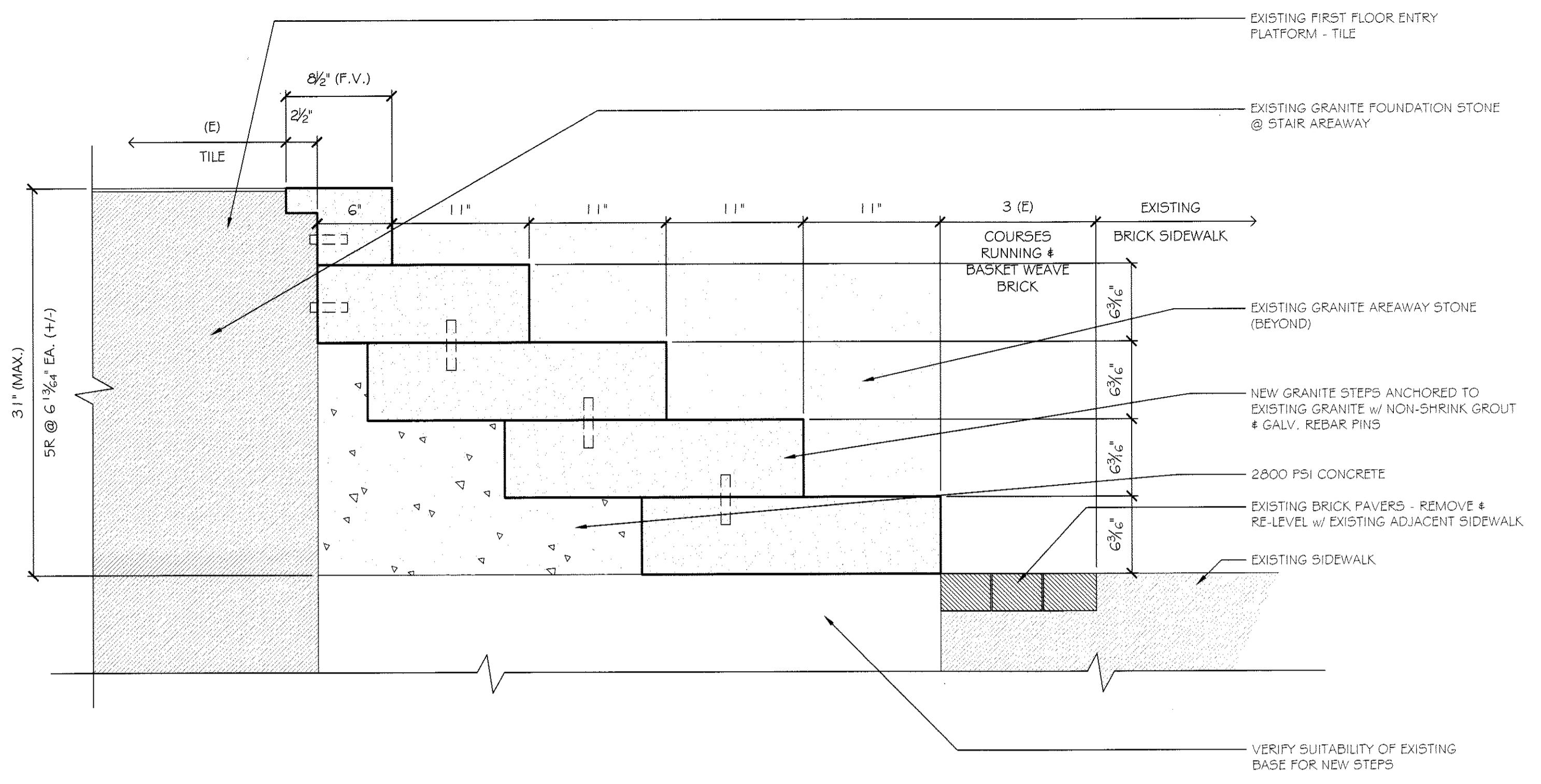
SCALE

STEP  
DETAILS

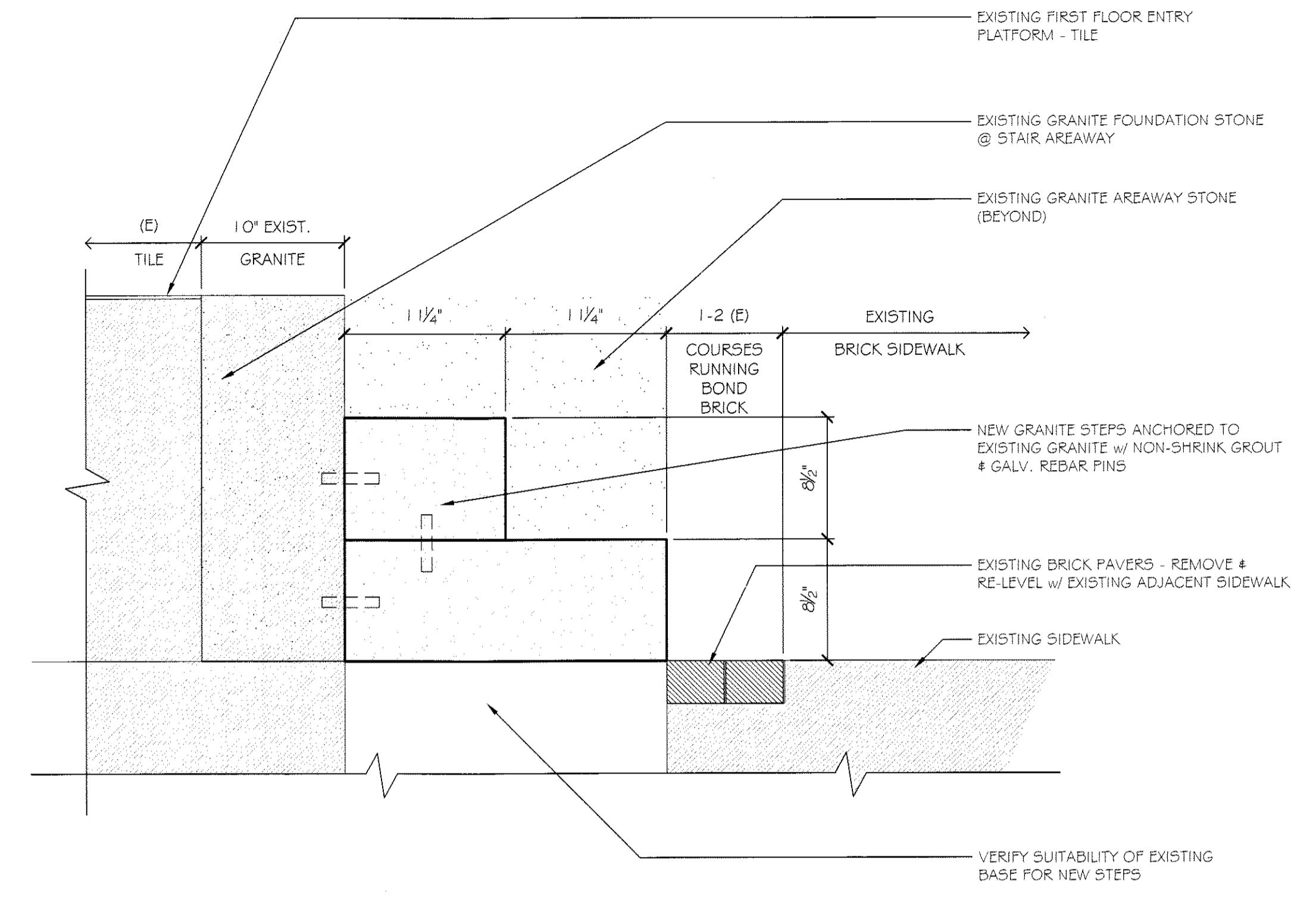
DATE  
6 Oct '14  
SCALE  
AS NOTED  
DRAWN  
MFH/mgk  
JOB NO.  
140908  
SCALE

A-8

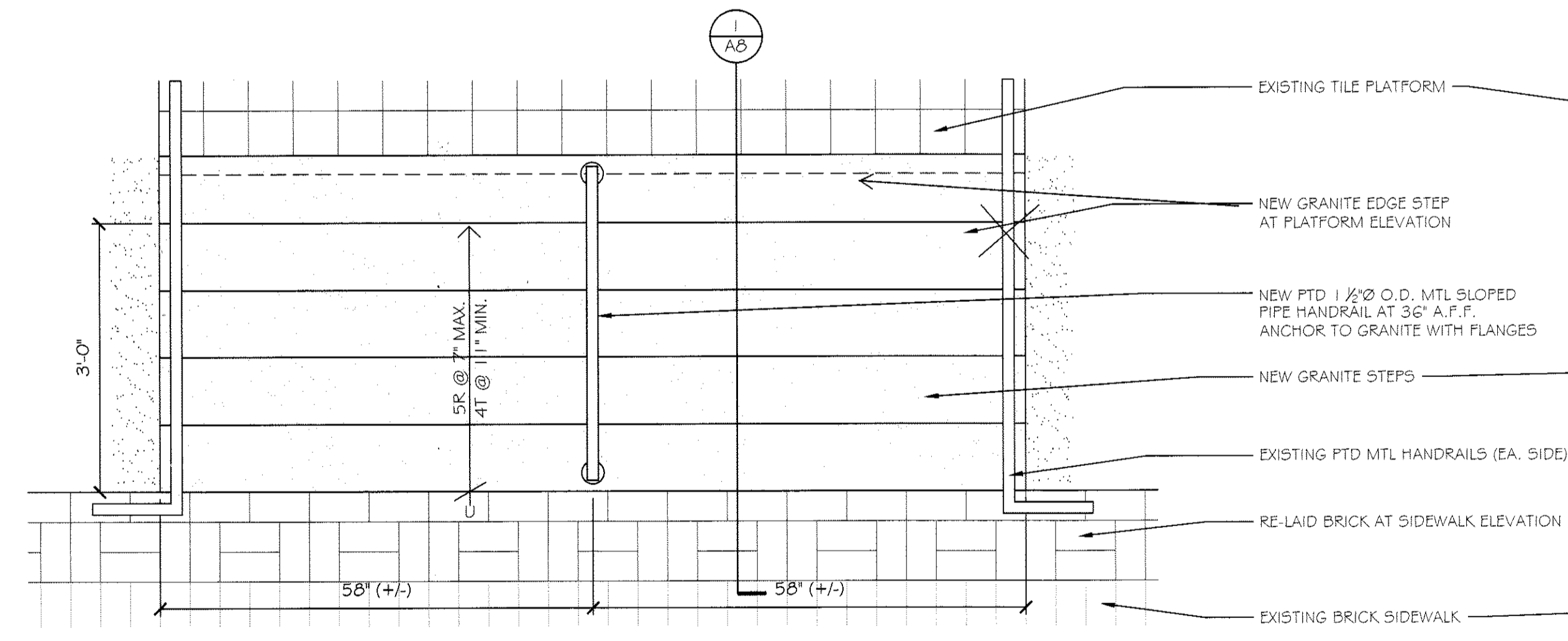
COPYRIGHT  
REPRODUCTION OR REVUE OF THIS  
DOCUMENT WITHOUT WRITTEN  
PERMISSION FROM GRANT HAYS/  
ASSOCIATES IS PROHIBITED.



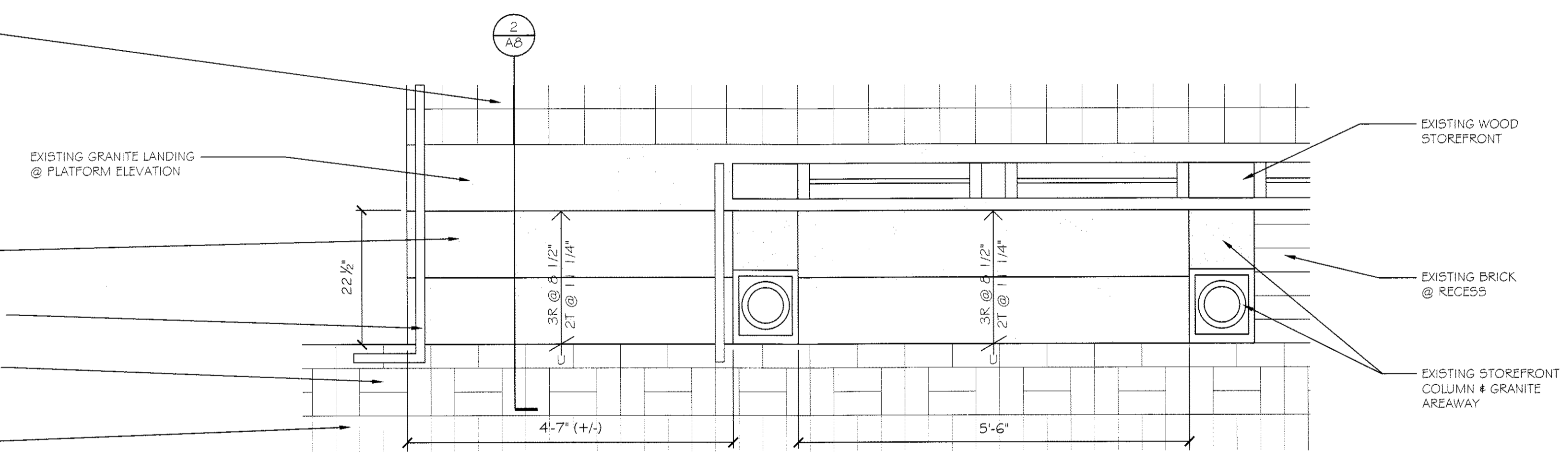
1 245 COMMERCIAL ST. STEP DETAIL (MUSE)  
SCALE: 1 1/2" = 1'-0"



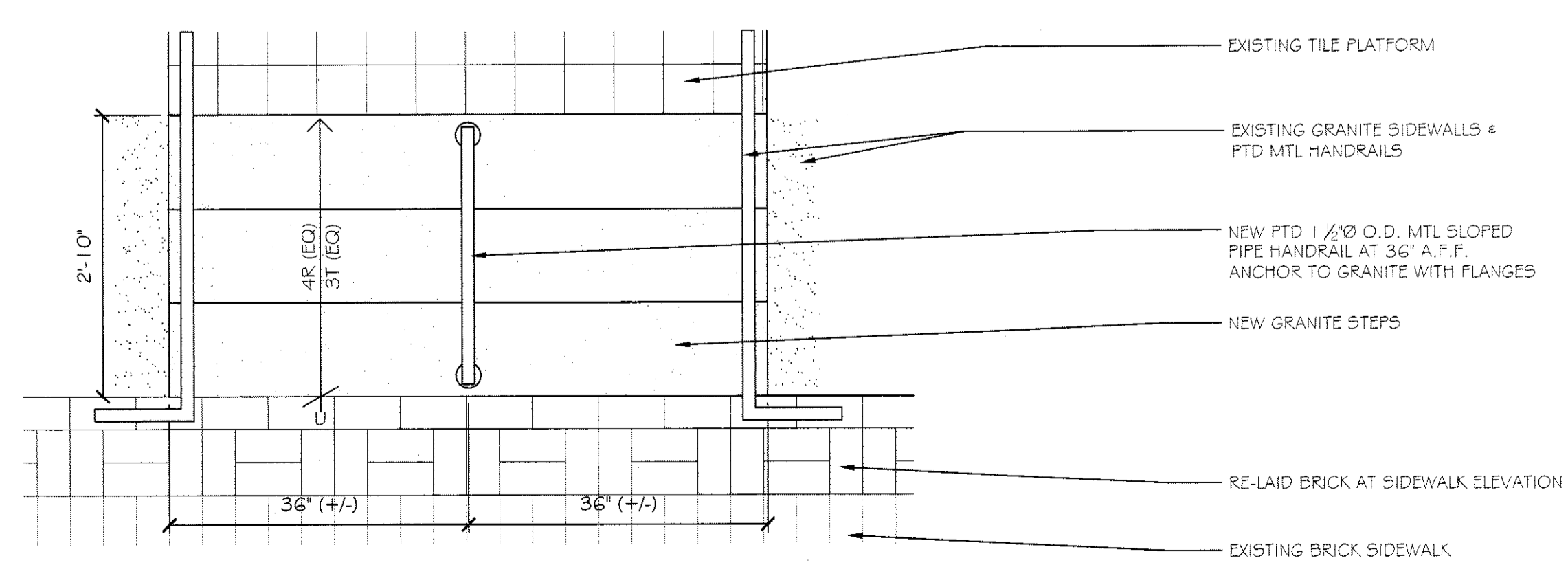
2 245-251 COMMERCIAL ST. STEP DETAIL (LOBBY/SALT EXCHANGE)  
SCALE: 1 1/2" = 1'-0"



A 245 COMMERCIAL - WEST STAIR PLAN (MUSE)  
SCALE: 3/4" = 1'-0"



B 245-251 COMMERCIAL - WEST STAIR PLAN (SALT EXCHANGE)  
SCALE: 3/4" = 1'-0"



A 245 COMMERCIAL - EAST STAIR PLAN (MUSE)  
SCALE: 3/4" = 1'-0"

note: match existing handrail profile at new handrail locations A & B

(EAST STAIR = REVERSED)