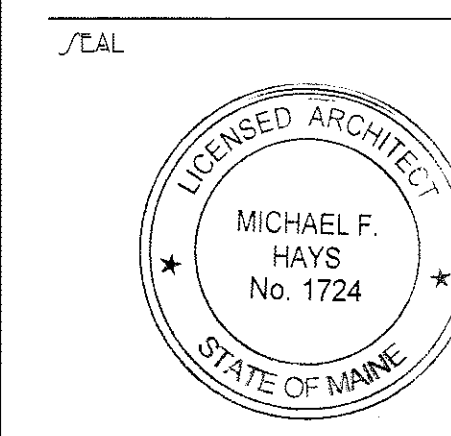


GRANT HAYS
ASSOCIATES

ARCHITECTURE & INTERIOR DESIGN
P.O. BOX 6179 FALMOUTH MAINE 04103
207.871.5900 www.granthays.com



REVISION

DRAWING NAME

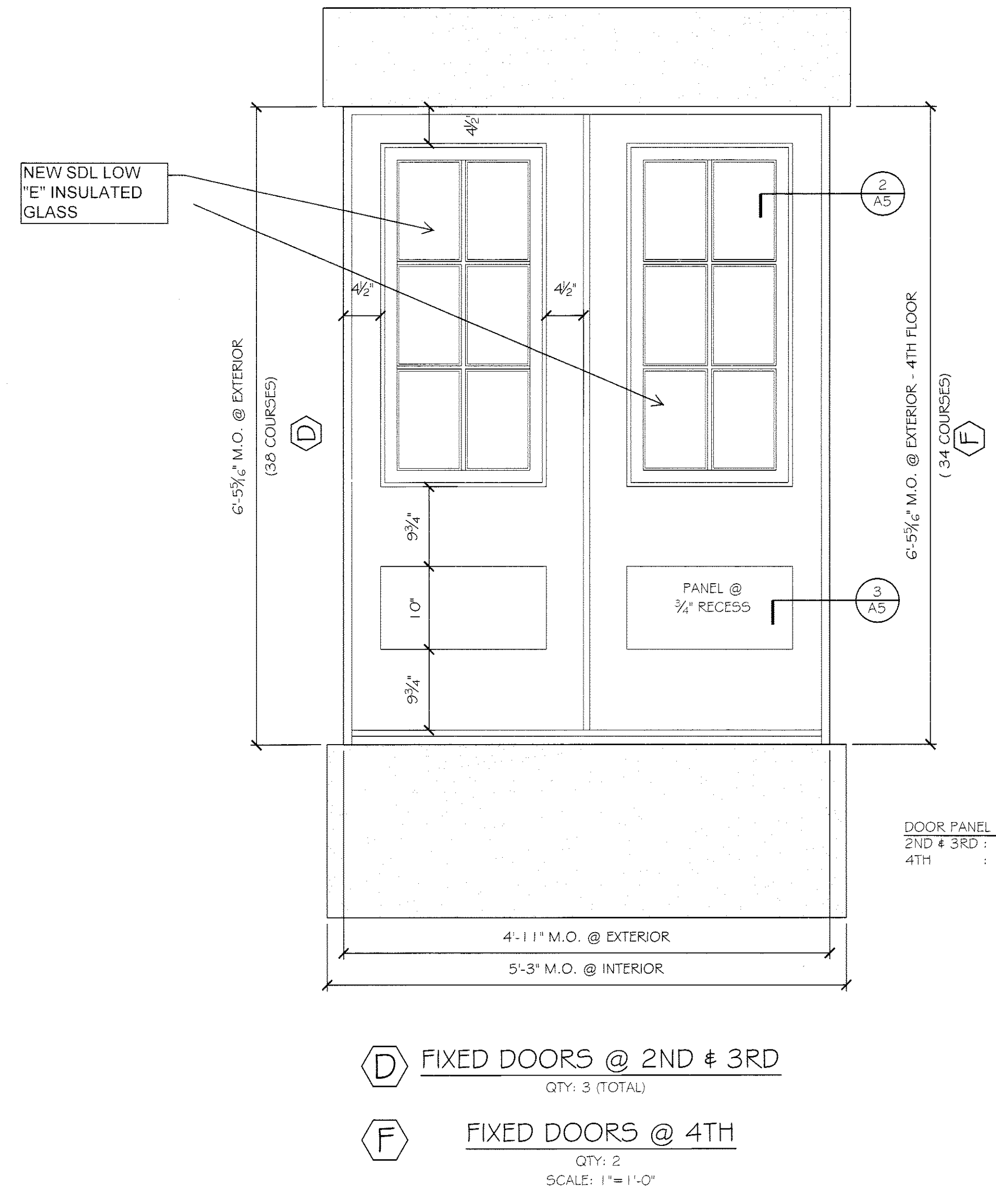
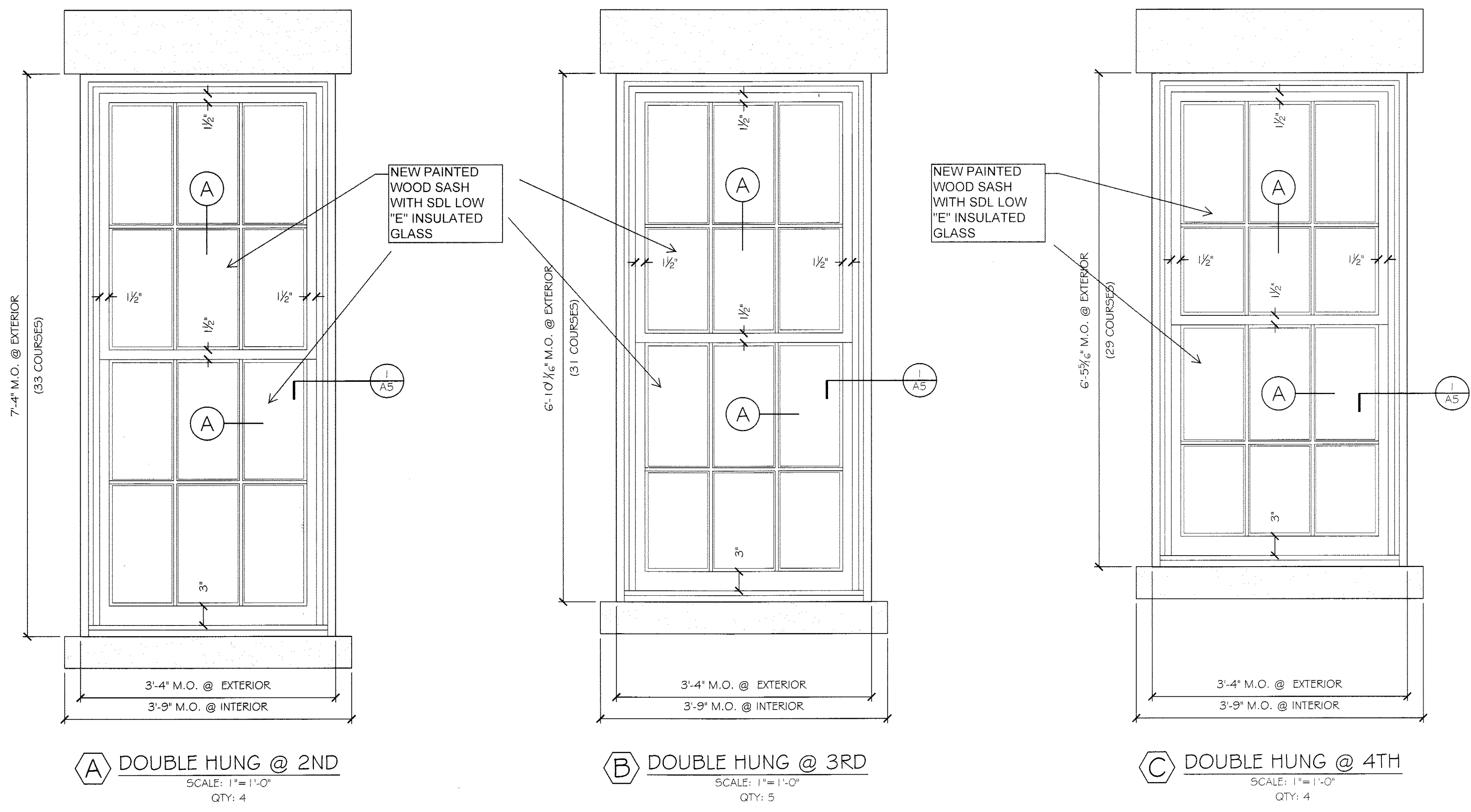
EXTERIOR WINDOW, DOOR &
ENTRY STEPS REMOVAL TO
245-251 COMMERCIAL STREET
PORTLAND
MAINE 04101

SHEET

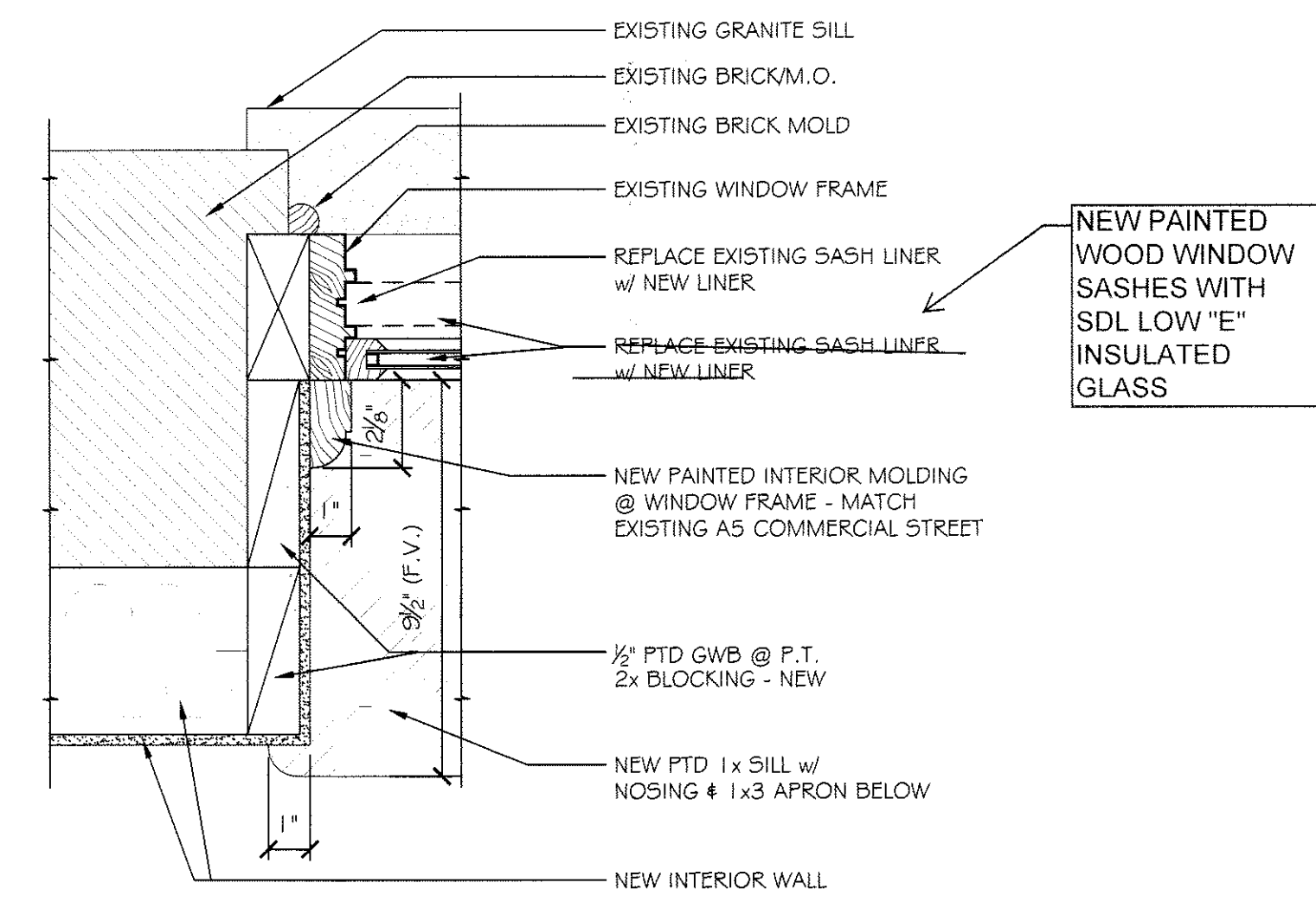
WINDOW
& DOOR
DETAILS

DATE
6 Oct '14
SCALE
AS NOTED
DRAWN
MFH/mgk
JOB NO.
140908
SHEET

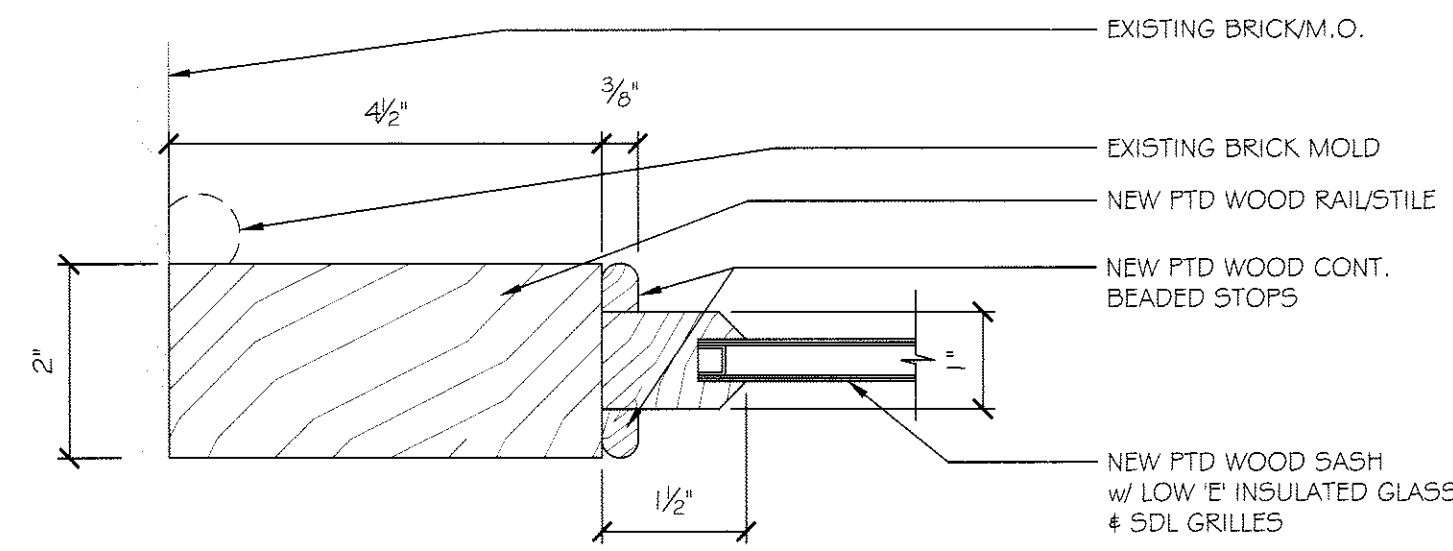
A-5
COPYRIGHT
REPRODUCTION OR REVISE OF THIS
DOCUMENT WITHOUT WRITTEN
PERMISSION FROM GRANT HAYS/
ASSOCIATES IS PROHIBITED.



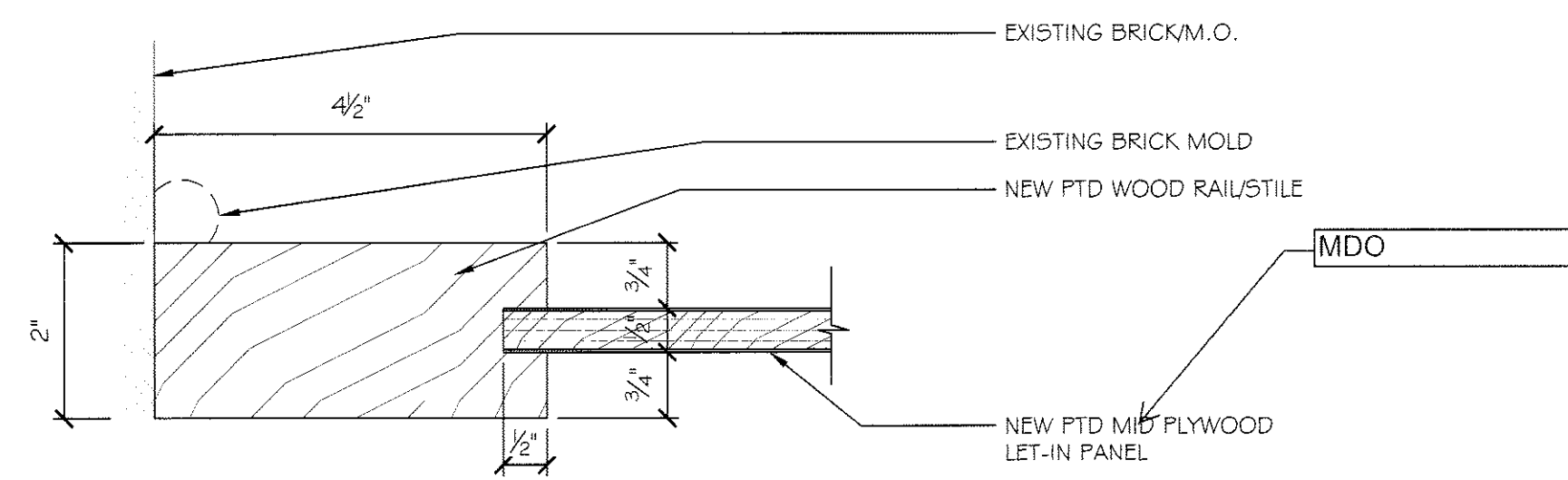
NOTE: FIELD VERIFY ALL WINDOW SASH & DOOR PANEL SIZES PRIOR TO FABRICATION.



1 TYP. JAMB (HEAD SIM.)
SCALE: 3" = 1'-0"

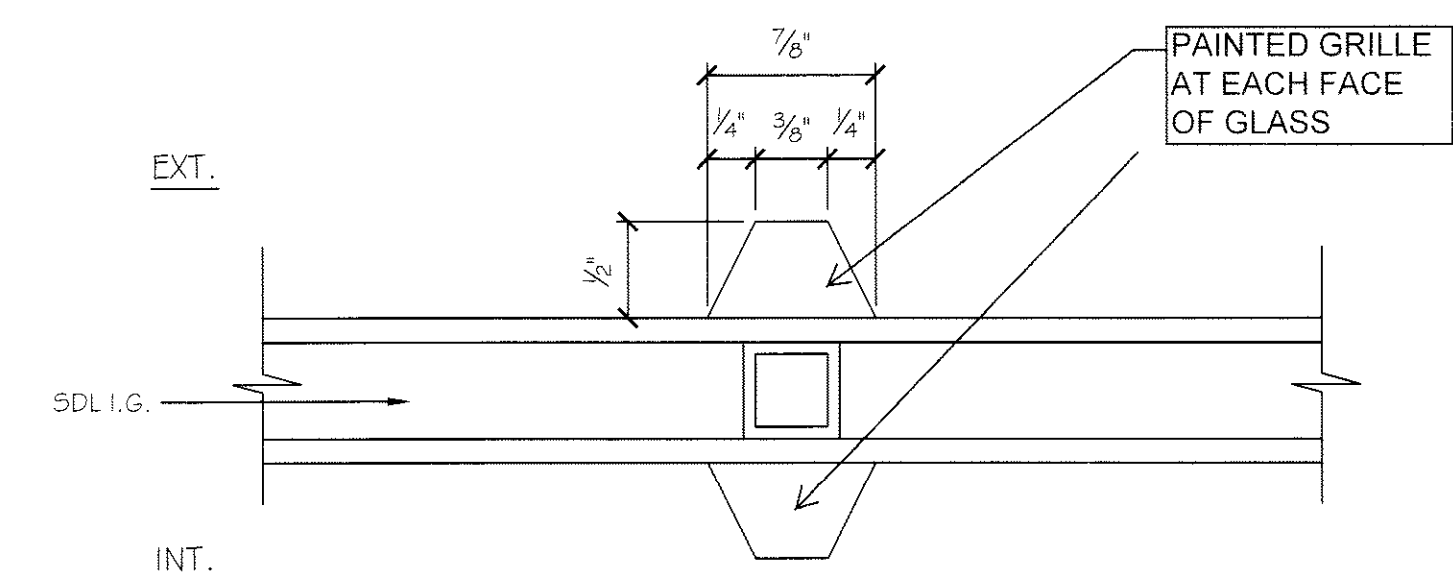


2 RAIL/GLAZING DETAIL
SCALE: HALF SIZE



3 RAIL/PANEL DETAIL
SCALE: HALF SIZE

NOTE: SEE 1-A5 FOR TYP. INT. WALL FINISH CONDITION AT FIXED DOOR LOCATIONS ALSO.



4 WINDOW GRILLE DETAIL
(MATCH COMMERCIAL STREET WINDOWS)
SCALE: FULL SIZE
(SIMILAR AT FIXED DOORS)