

(A) DOUBLE HUNG @ 2ND  
QTY: 4 1'-10"

(B) DOUBLE HUNG @ 3RD  
QTY: 5 1'-10"

(C) DOUBLE HUNG @ 4TH  
QTY: 4 1'-10"

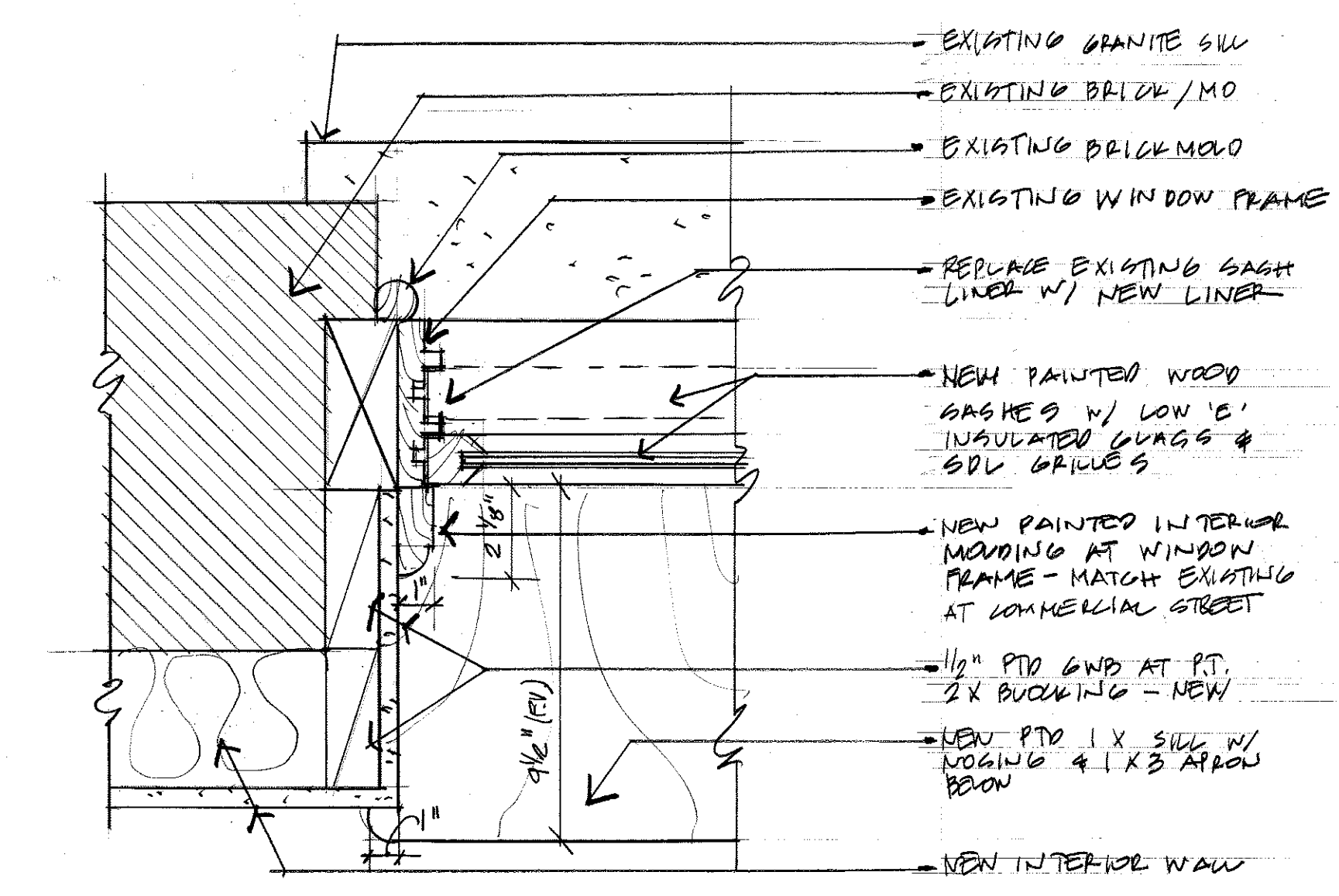
NOTE: FIELD VERIFY ALL WINDOW SASH & DOOR PANEL SIZES PRIOR TO FABRICATION.

DOOR PANEL HT (F.V.)

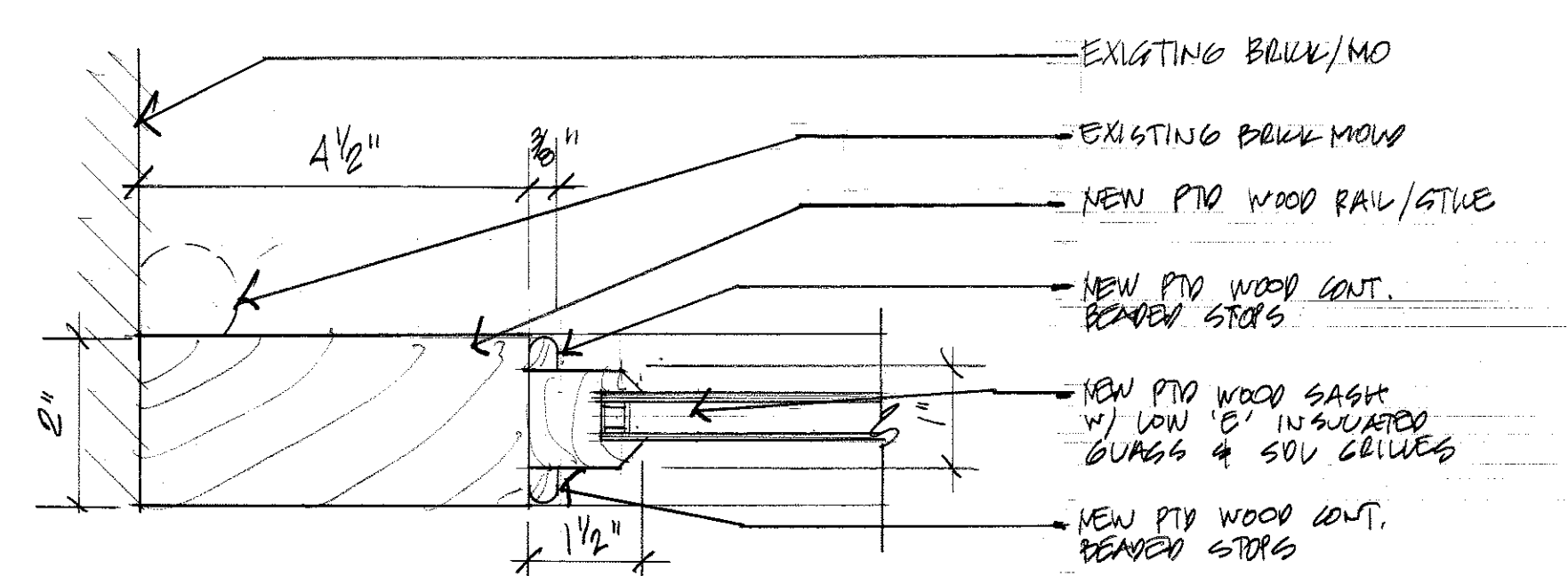
2ND & 3RD	: 6'-0"
4TH	: 1'-0"

(D) FIXED DOORS @ 2ND & 3RD QTY: 3 (TOTAL)

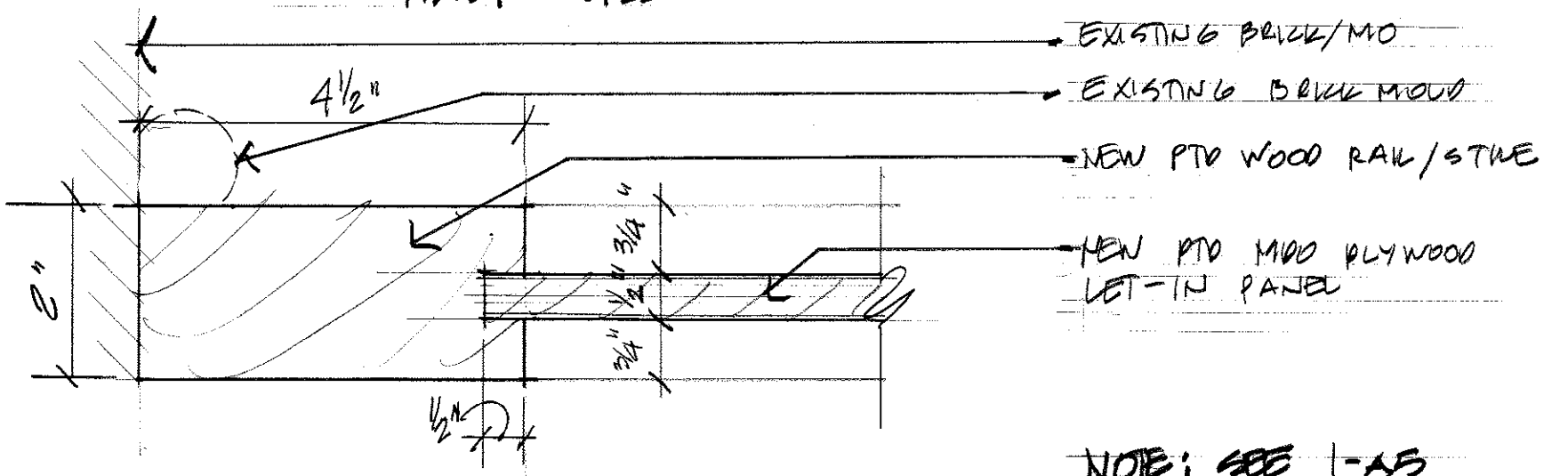
(E) FIXED DOORS @ 4TH QTY: 2 1'-10"



(1) TYP. JAMB (HEAD SIM)  
3" = 1'-0"

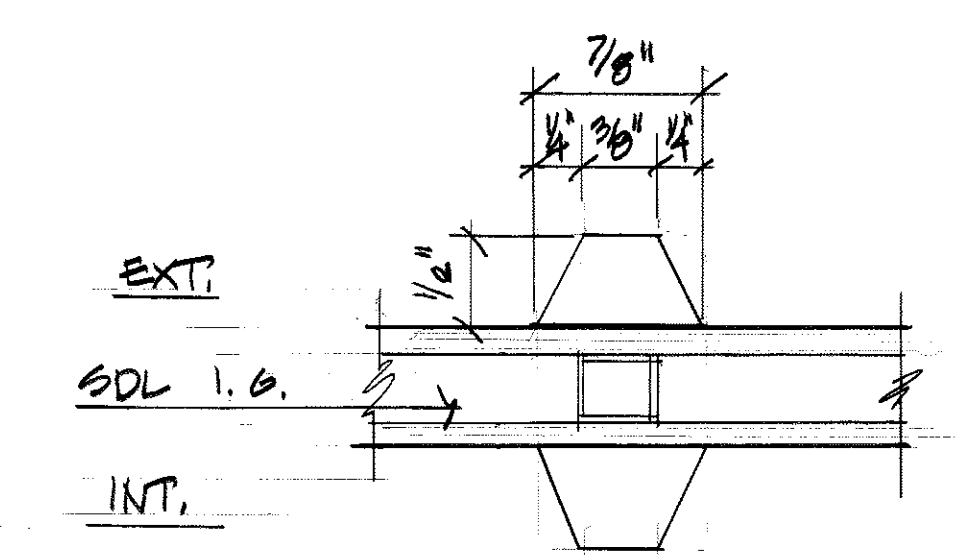


(2) RAIL/GLAZING DETAIL  
HALF SIZE



(3) RAIL/PANEL DETAIL  
HALF SIZE

NOTE: SEE 1-AS FOR TYP INT. WALL FINISH CONDITION AT FIXED DOOR LOCATIONS ALSO.



(A) WINDOW GRILLE DETAIL  
(MATCH COMMERCIAL STREET WINDOWS)  
FULL SIZE  
(SIMILAR AT FIXED DOORS)