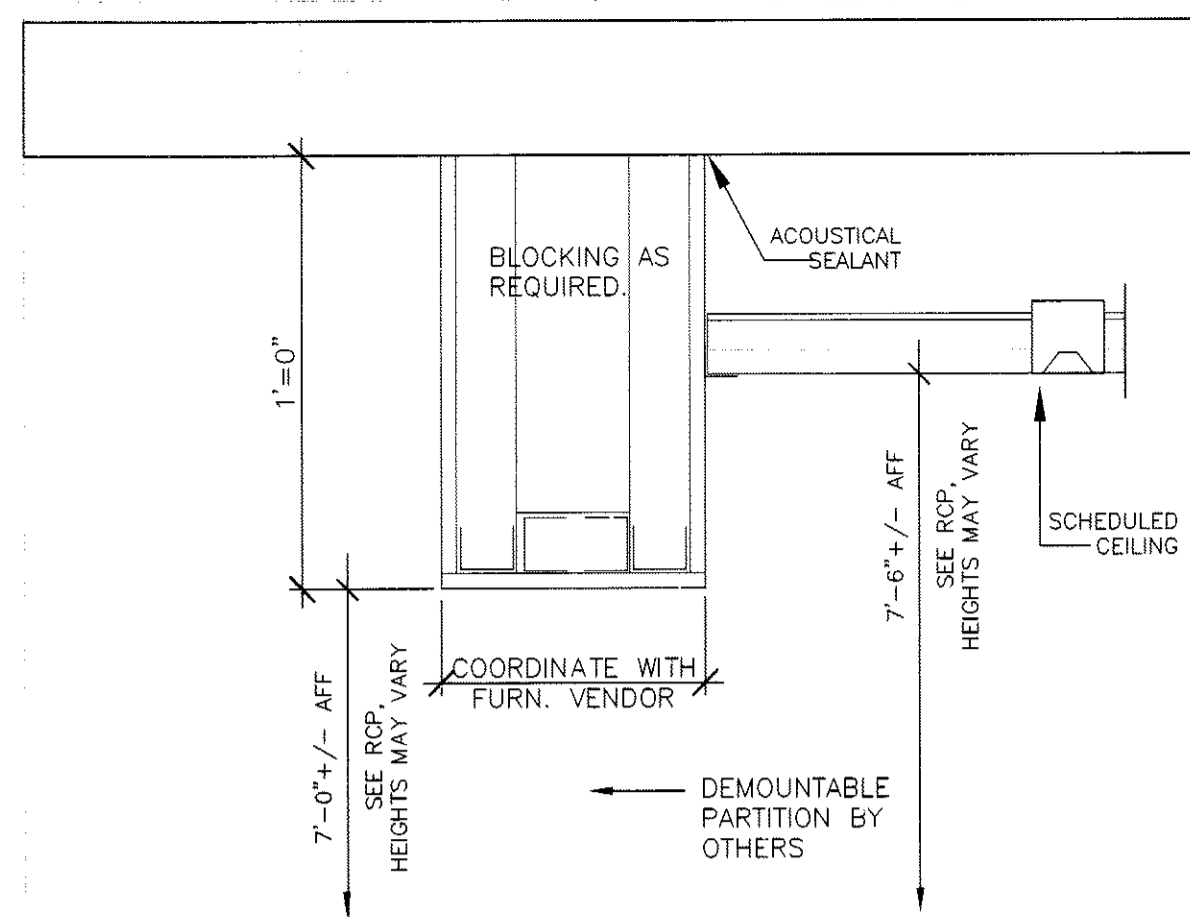
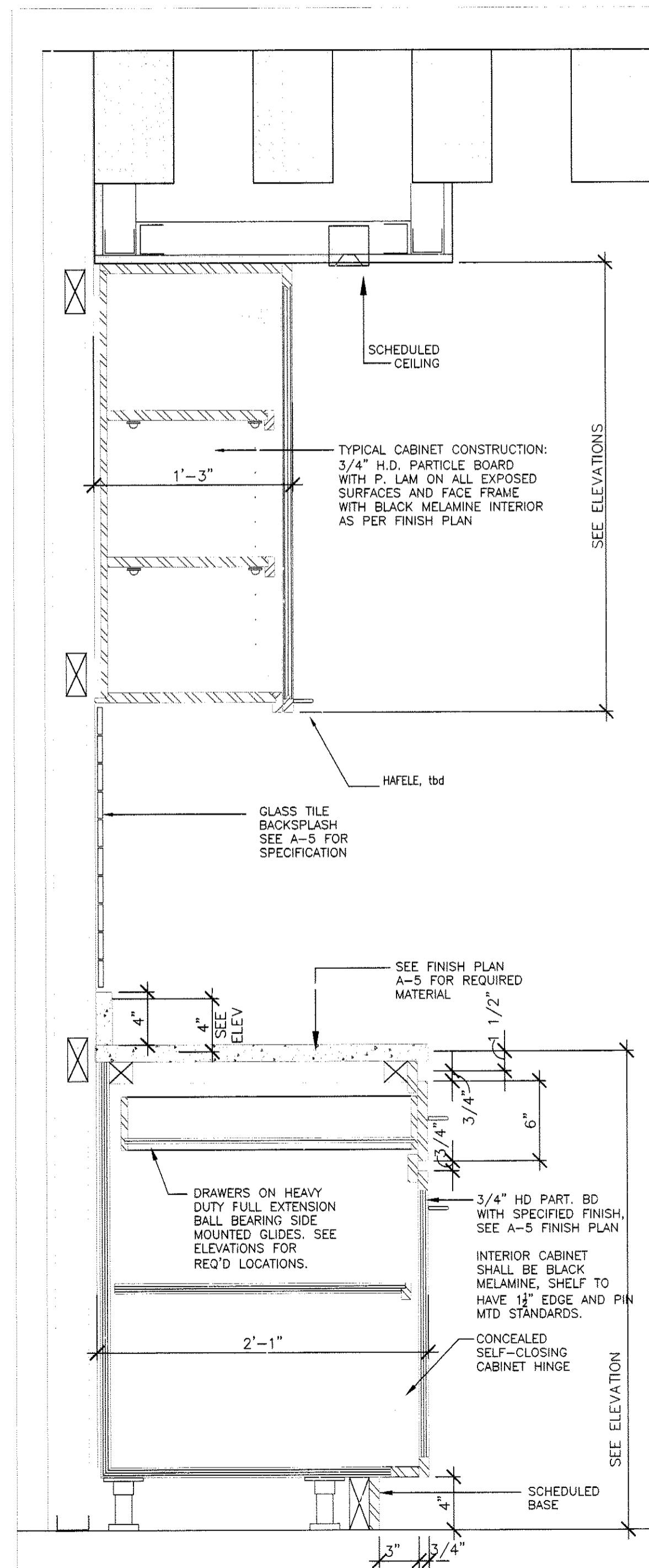


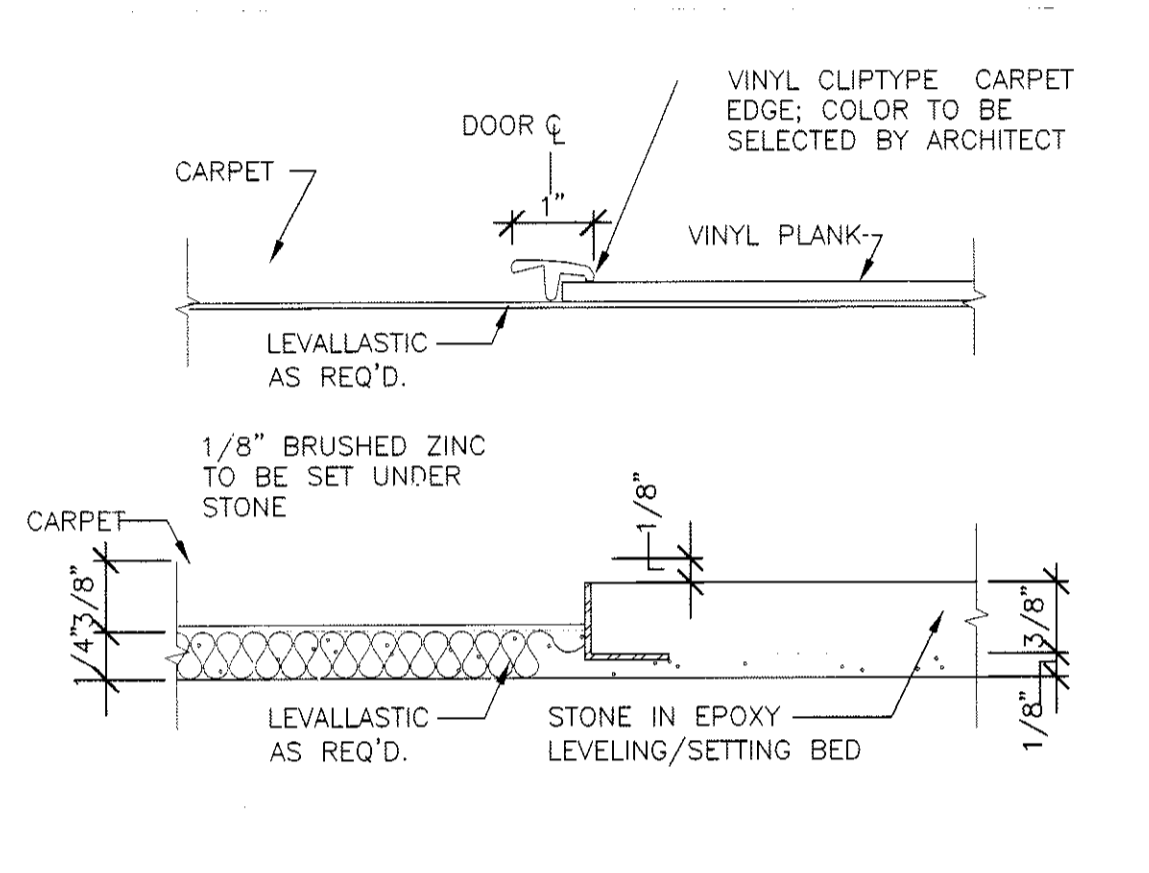
1 SECTION AT GYP BD SOFFIT AND ACT CEILING HEIGHT TRANSITION 1 1/2"=1'-0"



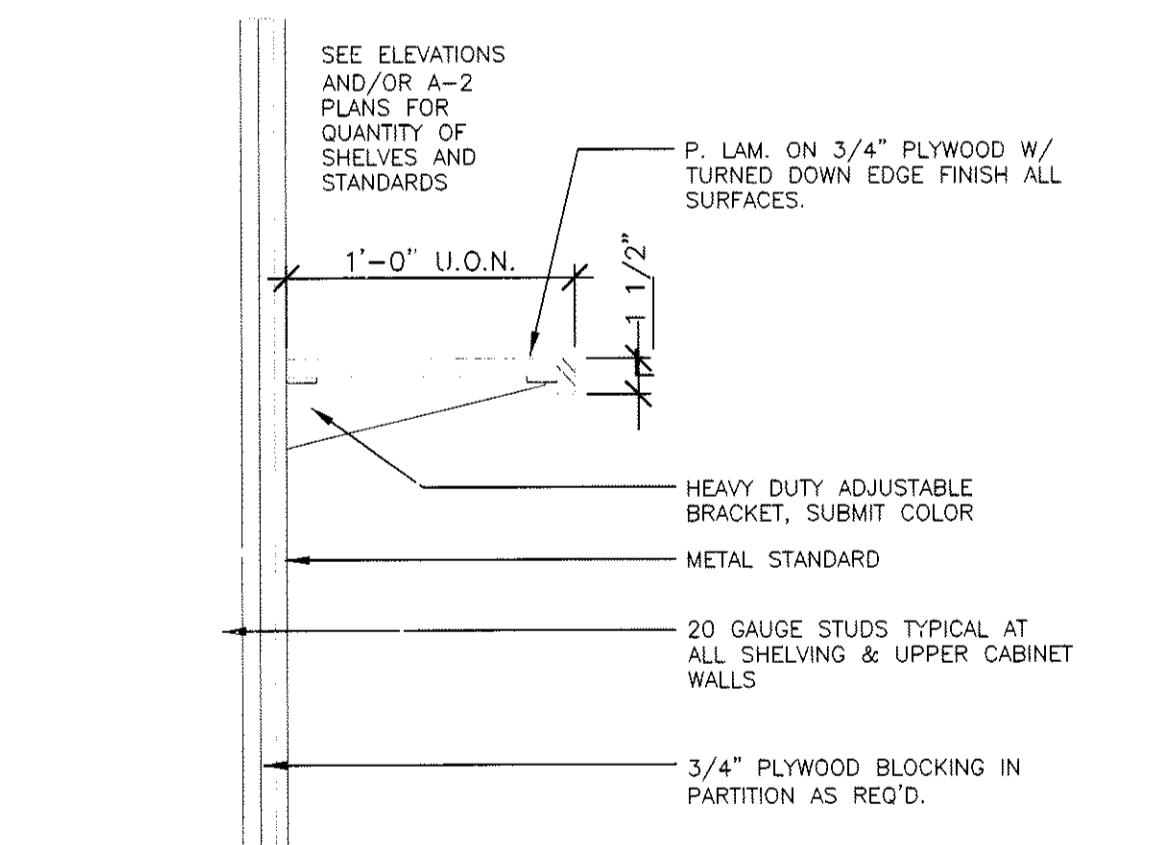
2 SECTION AT GYP BD SOFFIT AND ACT CEILING HEIGHT TRANSITION 1 1/2"=1'-0"



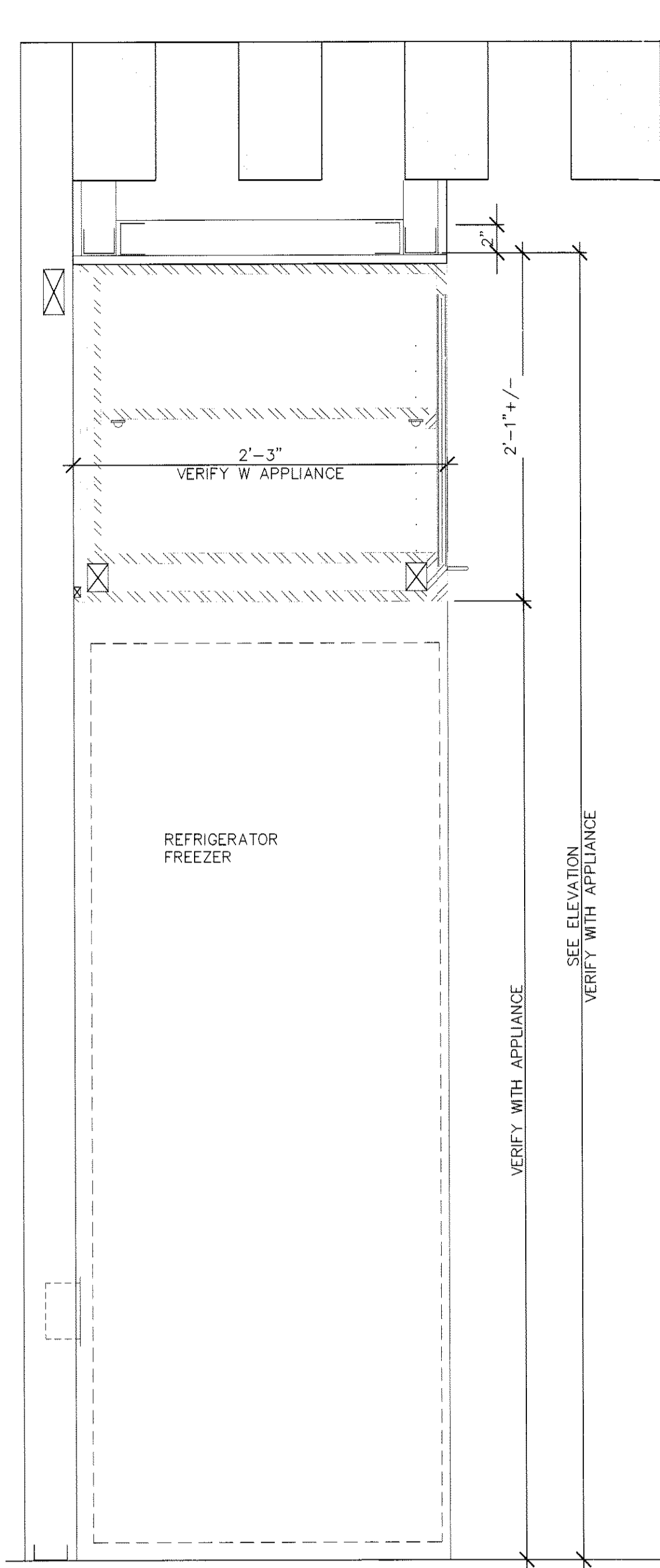
5 SECTION: MILLWORK CABINET WITH DRAWER AND OVERHEAD STG. 1 1/2"=1'-0"



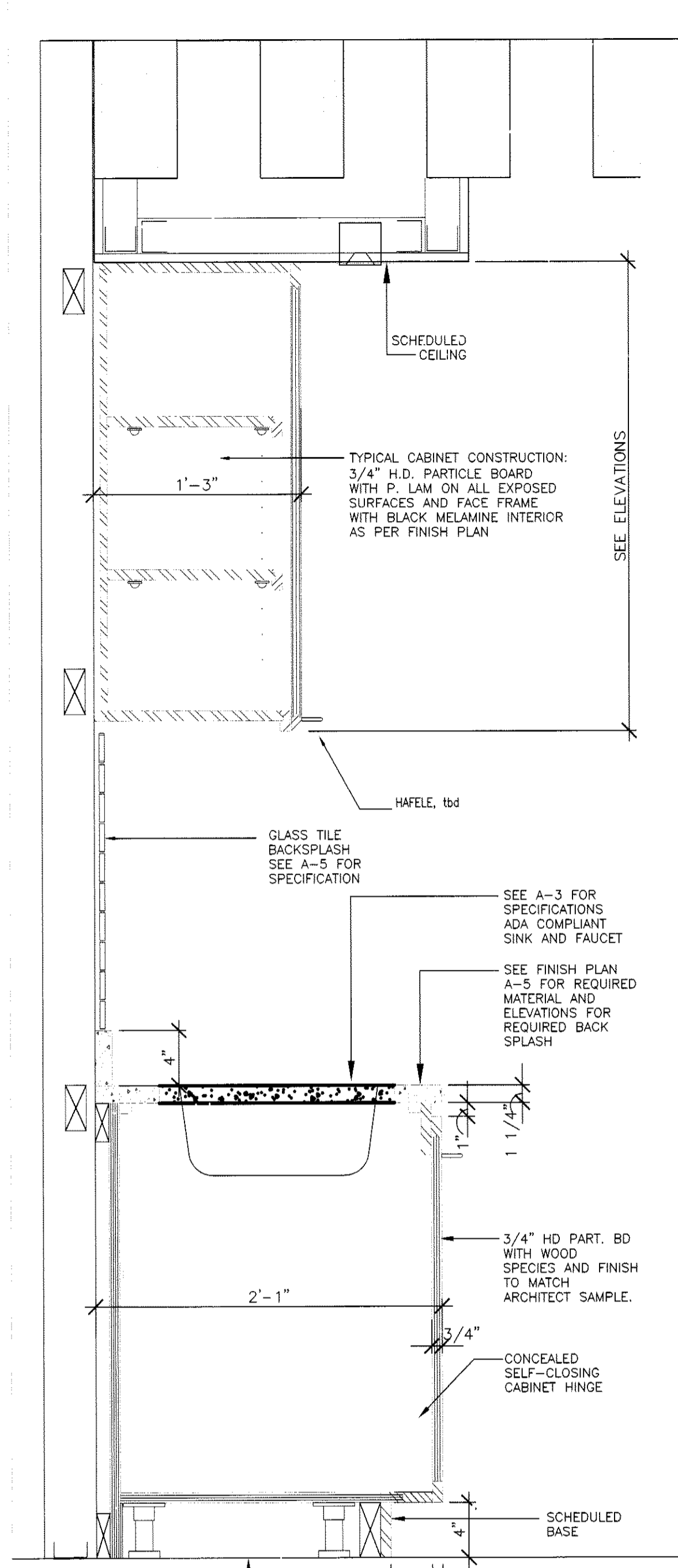
6 SECTION DETAIL AT FLOORING TRANSITIONS 1 1/2"=1'-0"



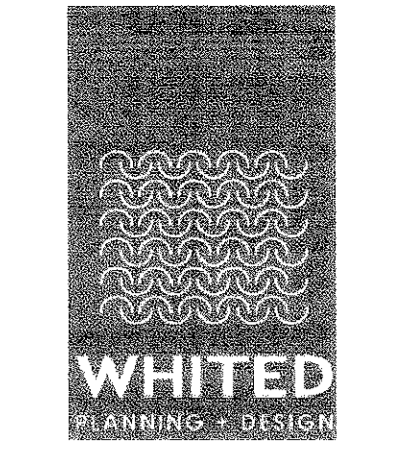
7 TYP. ADJUSTABLE SHELF 1 1/2"=1'-0"



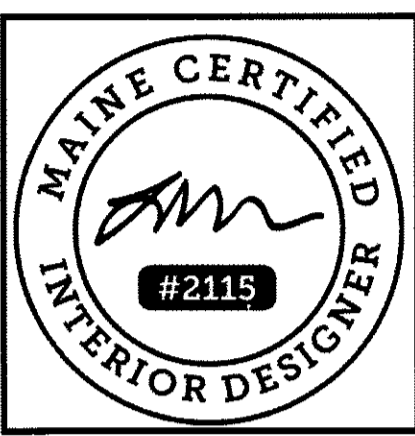
3 SECTION AT COLLAB-CAFE REFRIGERATOR SURROUND/CABINET 1 1/2"=1'-0"



4 SECTION: UNDERMOUNT SINK CABINET 1 1/2"=1'-0"



45 HEATHER ROAD
PORTLAND ME



MEMIC
245 COMMERCIAL STREET
FLOOR 2 & FLOOR 3
PORTLAND, ME 04101

REVISION NO.	DATE

TITLE	SCALE	DATE
DETAILS	AS NOTED	9.8.2014
	DRWN: GB	CHK: LISA WHITED

DRAWING NO.
A-8