

605 Urinals

605.1 General. Urinals shall comply with 605.

Advisory 605.1 General. Stall-type urinals provide greater accessibility for a broader range of persons, including people of short stature.

605.2 Height and Depth. Urinals shall be the stall-type or the wall-hung type with the rim 17 inches (430 mm) maximum above the finish floor or ground. Urinals shall be 13½ inches (345 mm) deep minimum measured from the outer face of the urinal rim to the back of the fixture.

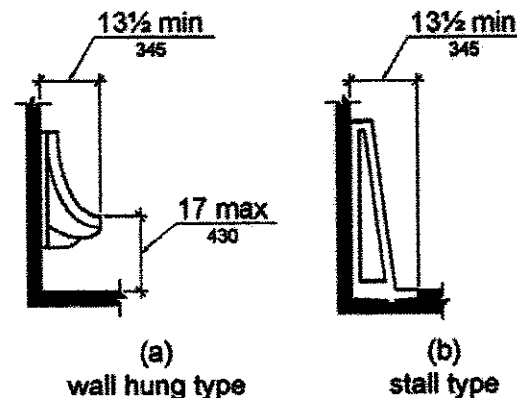


Figure 605.2
Height and Depth of Urinals

ACCESSIBILITY ACCESSORY
MOUNTING HEIGHTS

GRAB BARS	33" - 36"
TOILET PAPER HOLDER	19" MIN
TOWEL BAR/ PAPER TOWEL DISPENSER	48" MAX
BUILT IN PAPER TOWEL DISPENSER	48" MAX
SOAP DISH/ DISPENSER AT WALL	48" MAX
SANITARY NAPKIN DISPENSER	48" MAX
SANITARY NAPKIN DISPOSAL	19" MAX
MIRROR (BOTTOM)	40" MAX
SHELVES/ STORAGE	48" MAX
ELECTRICAL SWITCHES/ OUTLETS	48" MAX
COAT HOOKS/ RODS	48" MAX
SIGNAGE (TO BRAILLE COMPONENT)	60" MAX

NFPA LEGEND	
	FIRE EXTINGUISHER
	FIRE ALARM PULL
	EXIT SIGN/ LIGHT
	EMERGENCY LIGHT
	SMOKE DETECTOR
	HORN STROBE UNIT 110 cd/ 15 db
	STROBE UNIT 110 cd
	SPRINKLER HEAD
(E)	EXISTING
(E/R)	EXISTING - RELOCATED

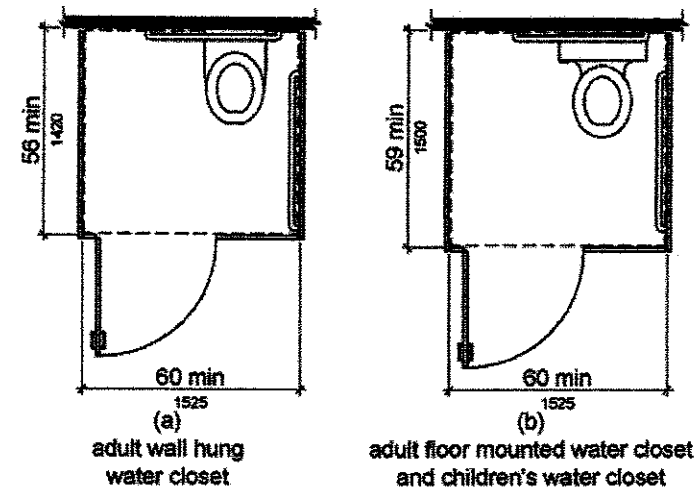


Figure 604.8.1.1
Size of Wheelchair Accessible Toilet Compartment

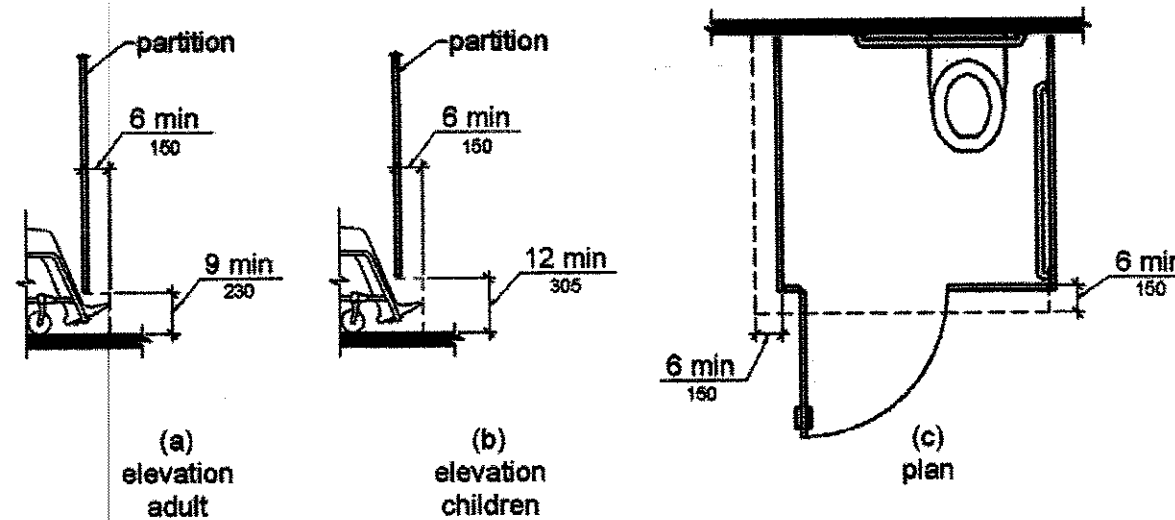
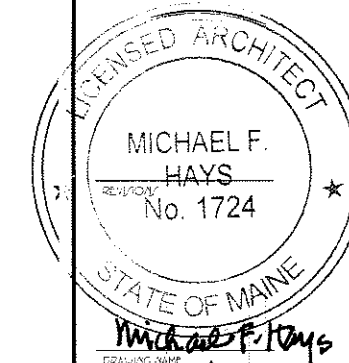


Figure 604.8.1.4
Wheelchair Accessible Toilet Compartment Toe Clearance



GRANT HAYS
ASSOCIATES

REGISTERED ARCHITECT & INTERIOR DESIGNER
110 BOX 5199 FALMOUTH MAINE 04103
207.875.9500 www.grant-hays.com



Michael F. Hays
DRAWING NAME

MEN'S TOILET ROOM
ADA UPDATES
241-245 COMMERCIAL STREET
PORTLAND, MAINE

ADA
DETAILS

DATE 4-22-14
SCALE NONE
DRAWN MFH
JOB NO. 140A15

FILE: A3

COPYRIGHT
REPRODUCTION OR USE OF THE
DOCUMENT WITHOUT WRITTEN
PERMISSION FROM GRANT HAYS/
ASSOCIATES IS PROHIBITED.