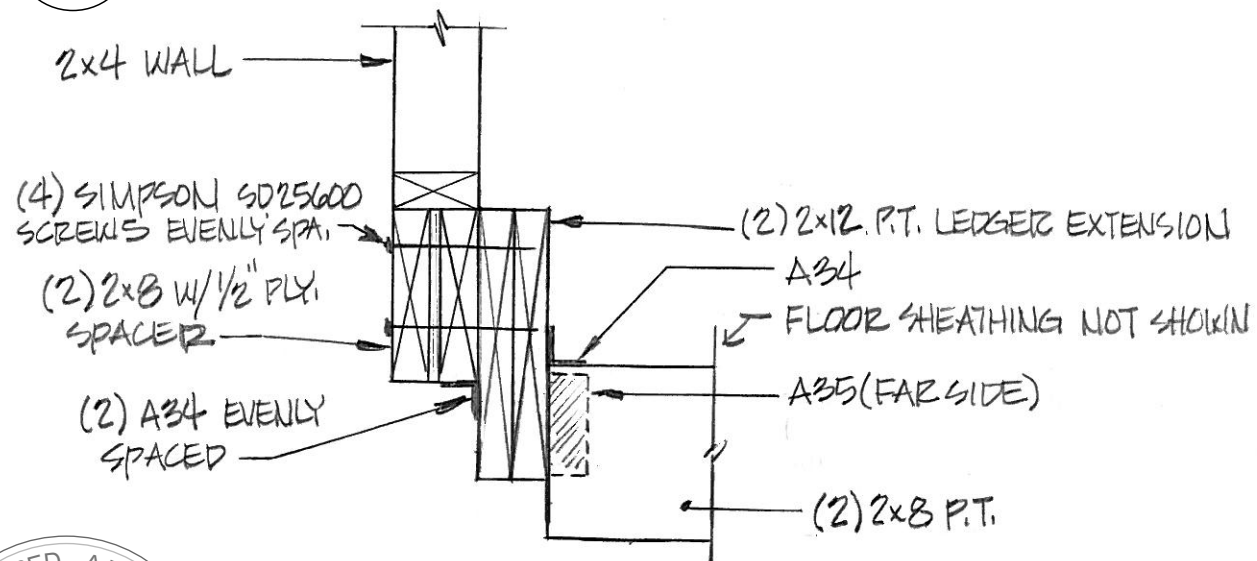


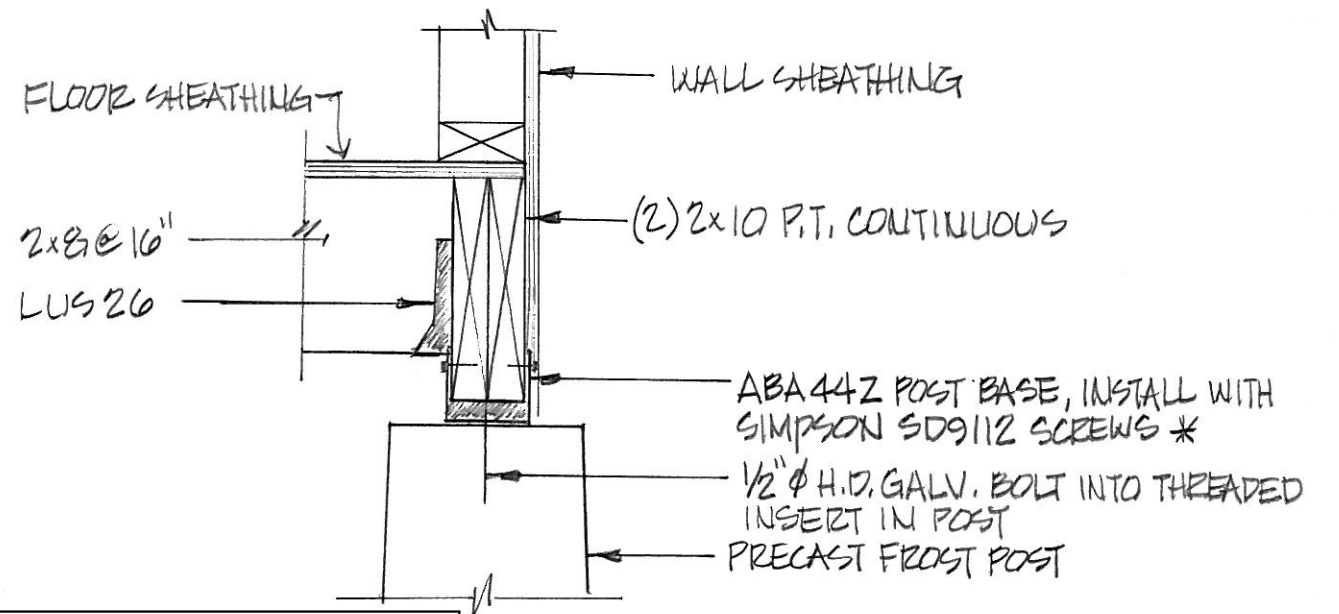
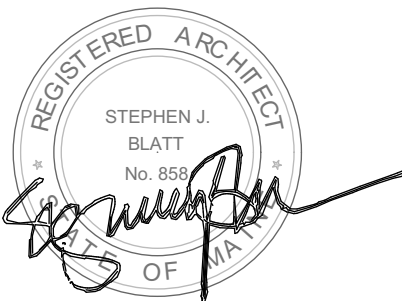
**FIRST FLOOR FRAMING SECTION DETAIL
@ EXISTING BUILDING**

1A
S-2.1
SCALE: 1 1/2" = 1'-0"



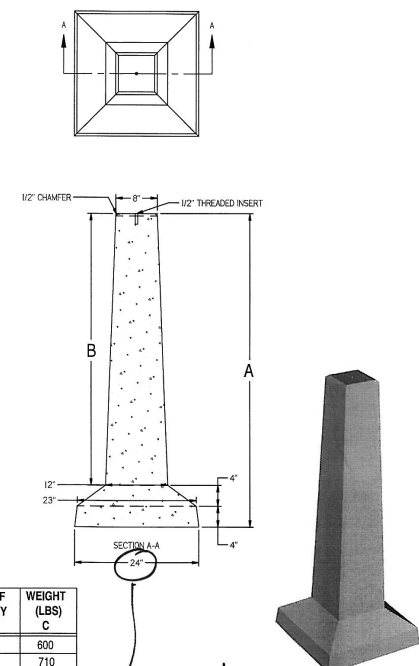
**FIRST FLOOR FRAMING SECTION DETAIL
PAST EXISTING BUILDING**

1B
S-2.1
SCALE: 1 1/2" = 1'-0"



**FIRST FLOOR FRAMING
SECTION DETAIL**

2
S-2.1
SCALE: 1 1/2" = 1'-0"



POST	OVERALL HEIGHT A	HEIGHT OF POST ONLY B	WEIGHT (LBS) C
4'	48"	40"	600
5'	60"	52"	710

USE 5' POST FROM GENEST TO GET 24" x 24" FIG.

PRE-CAST CONC. FROST POST
MFGR: GENEST PRECAST CONC. PRODUCTS

* SHIM BOTH SIDES W/ 1/4" THICK P.T. SHIMS OR USE 1/2" P.T. PLYWOOD SPACER FULL LENGTH BETWEEN 2x10S. IF NECESSARY, SHIM UNDER POST BASE W/ P.T. SHIMS OR NON-SHINK GROUT