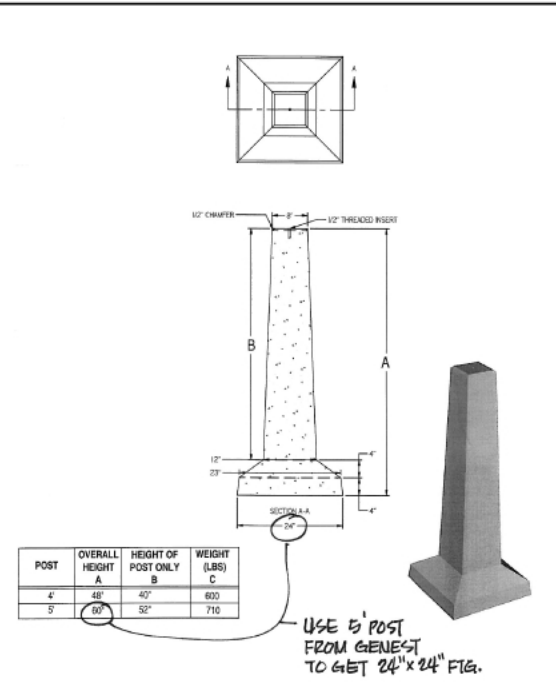
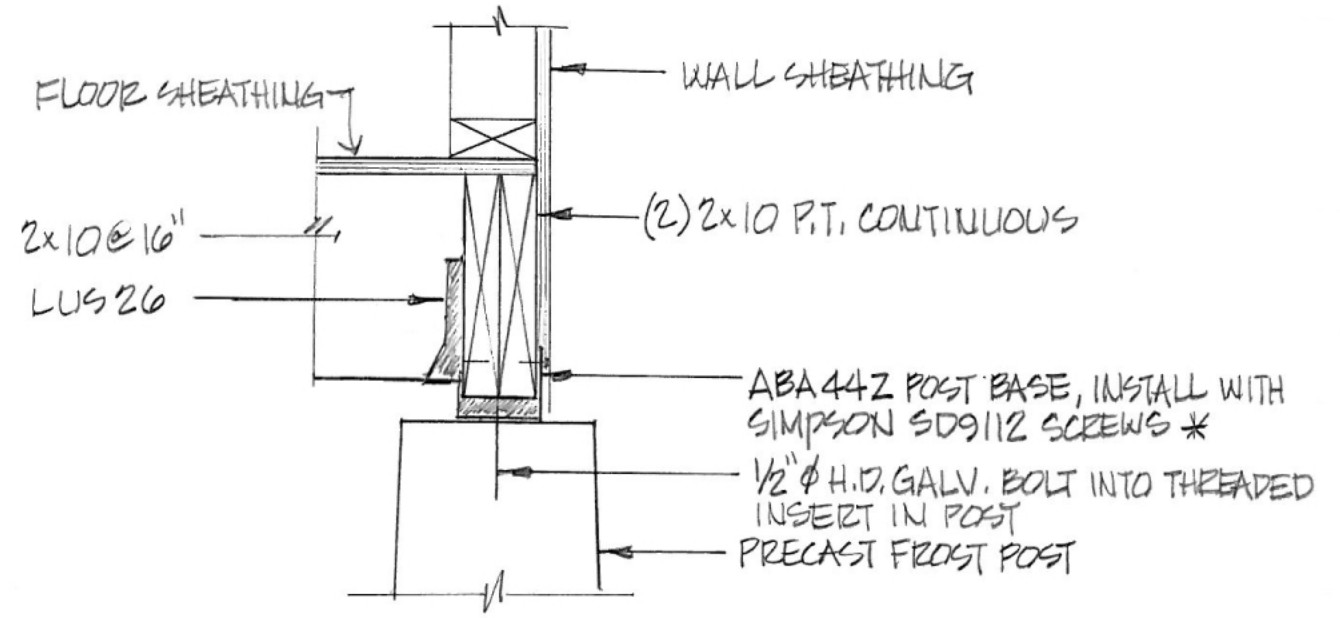


A-6.1.1-2 FLOOR LEDGER



* SHIM BOTH SIDES W/ 1/4" THICK P.T. SHIMS OR USE 1/2" P.T. PLYWOOD SPACER FULL LENGTH BETWEEN 2x10S. IF NECESSARY, SHIM UNDER POST BASE W/ P.T. SHIMS OR NON-SHINK GROUT

A-6.1.3 FOOTING / POST