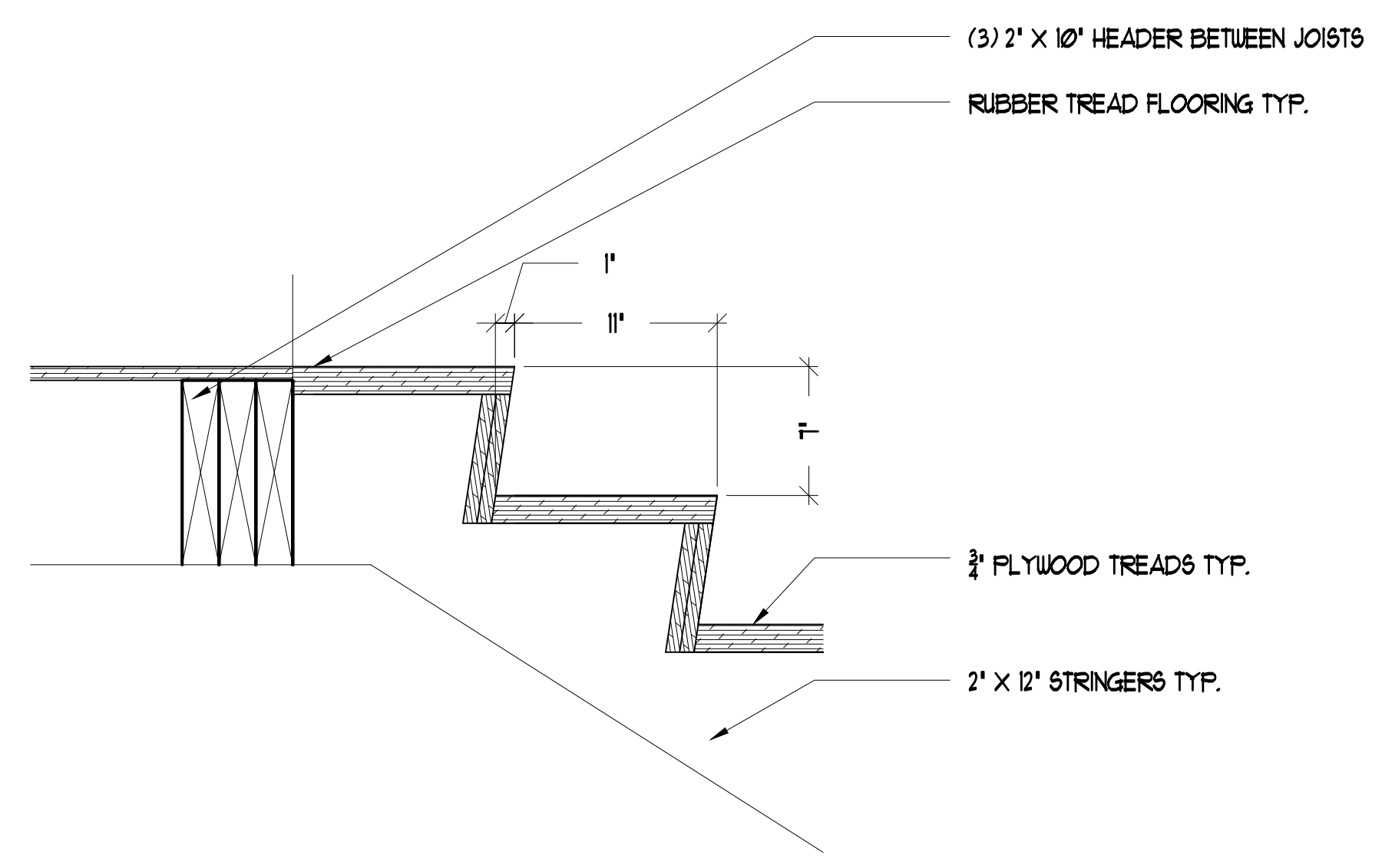


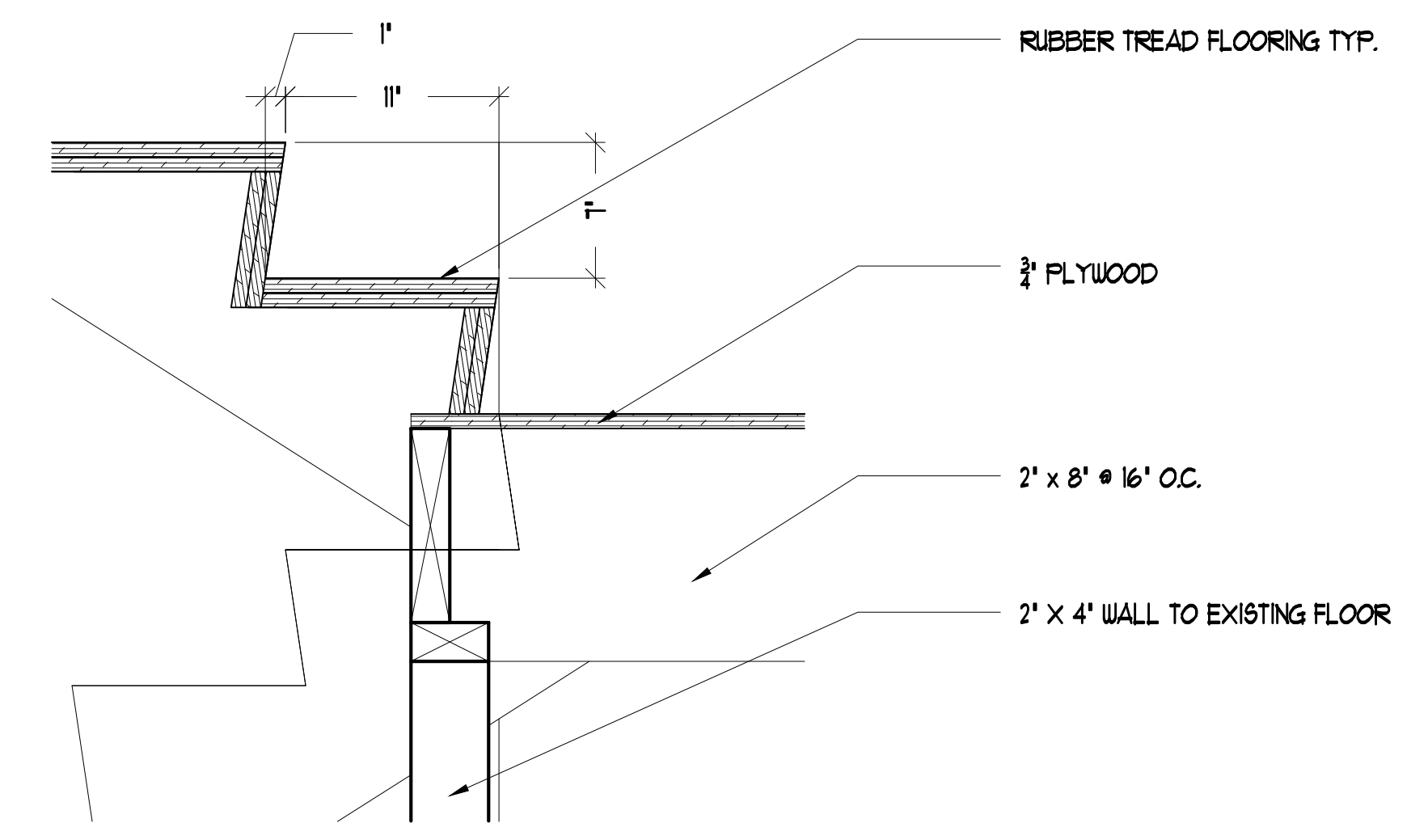
IF THIS SHEET IS NOT 24 X 36 IT IS A REDUCED SCALE PRINT - SCALE ACCORDINGLY



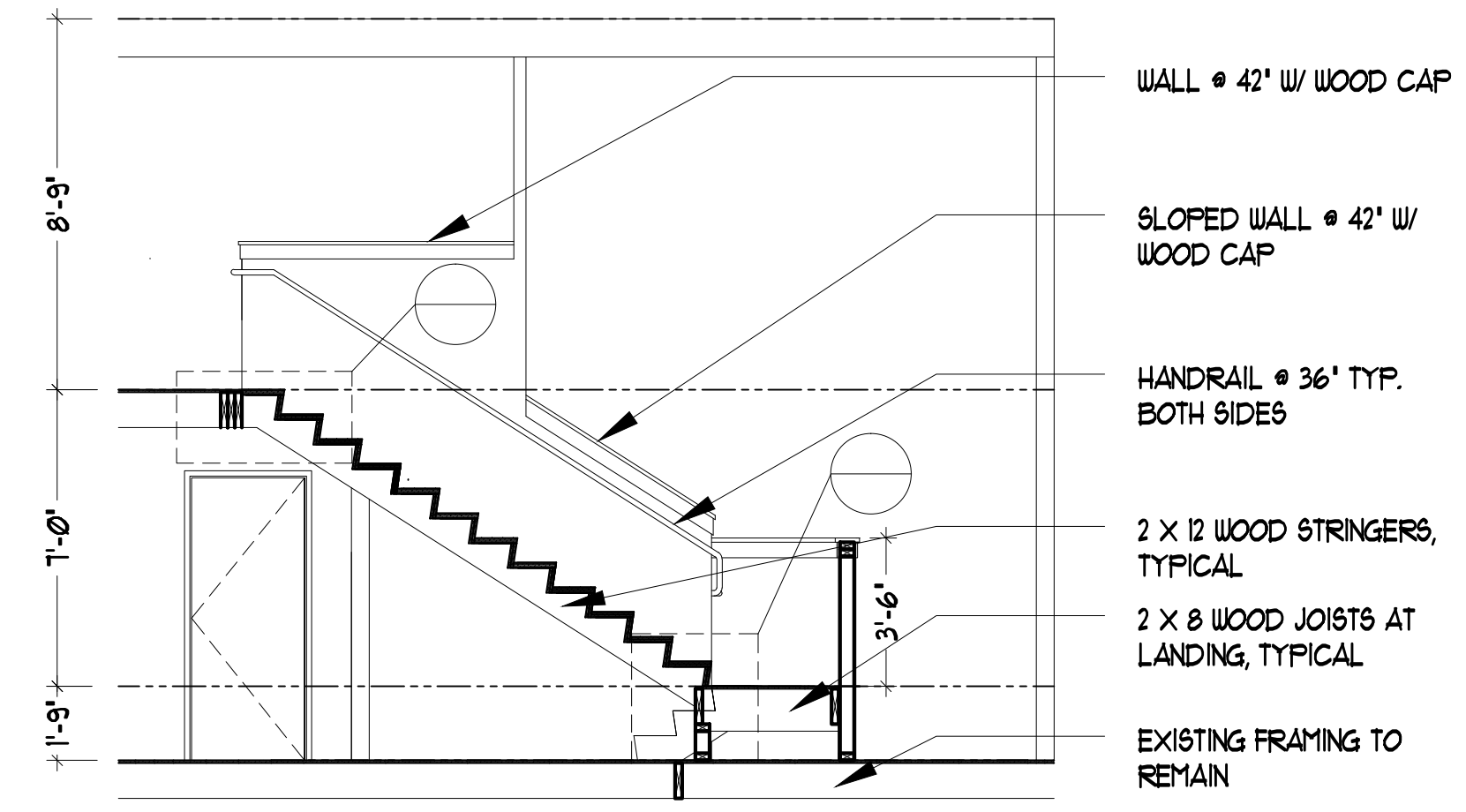
5 SECTION DETAIL
SCALE: 1-1/2" = 1'-0"



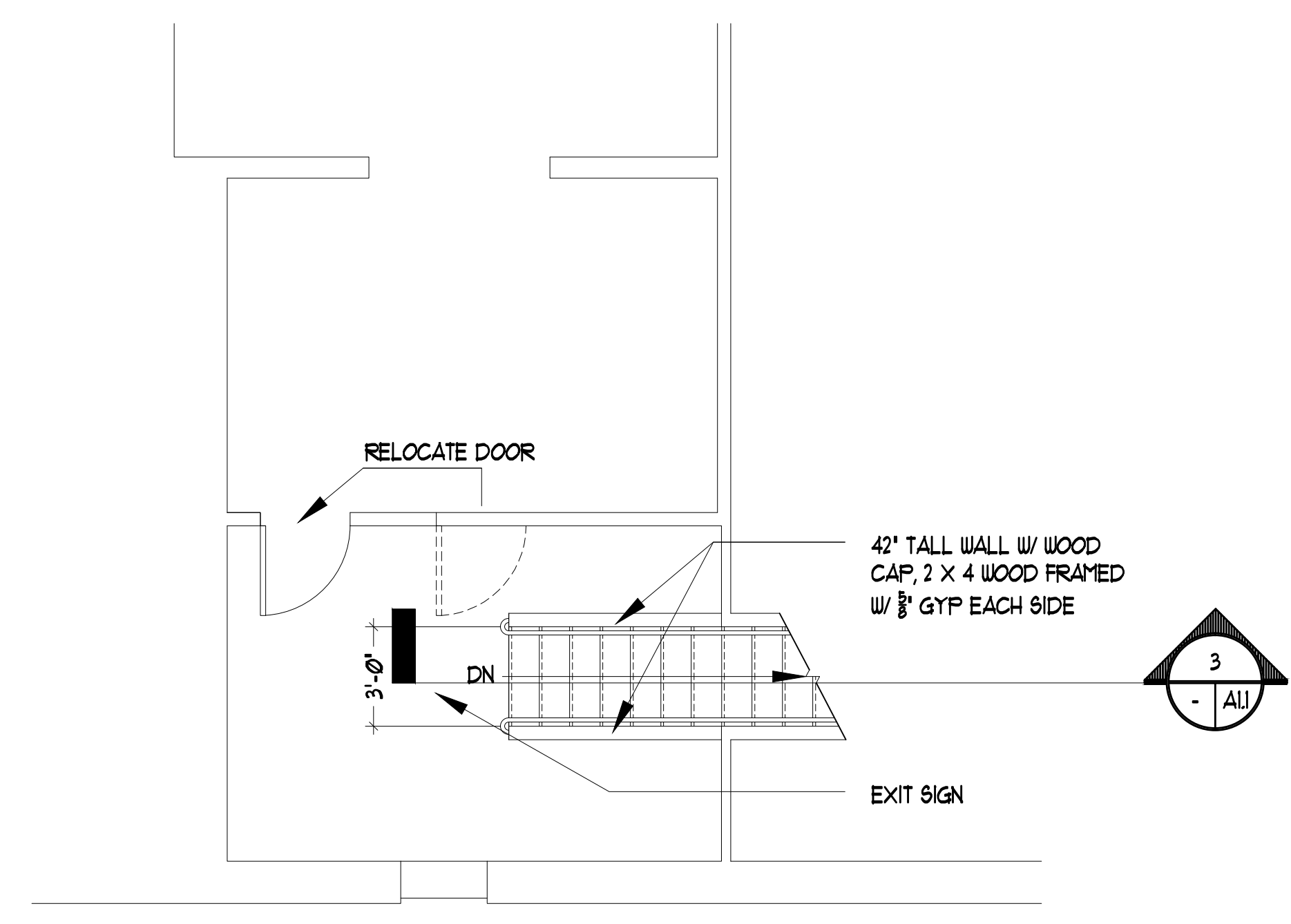
4 SECTION DETAIL
SCALE: 1-1/2" = 1'-0"



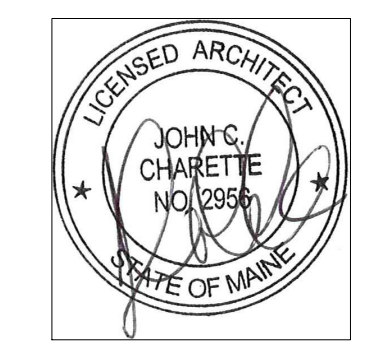
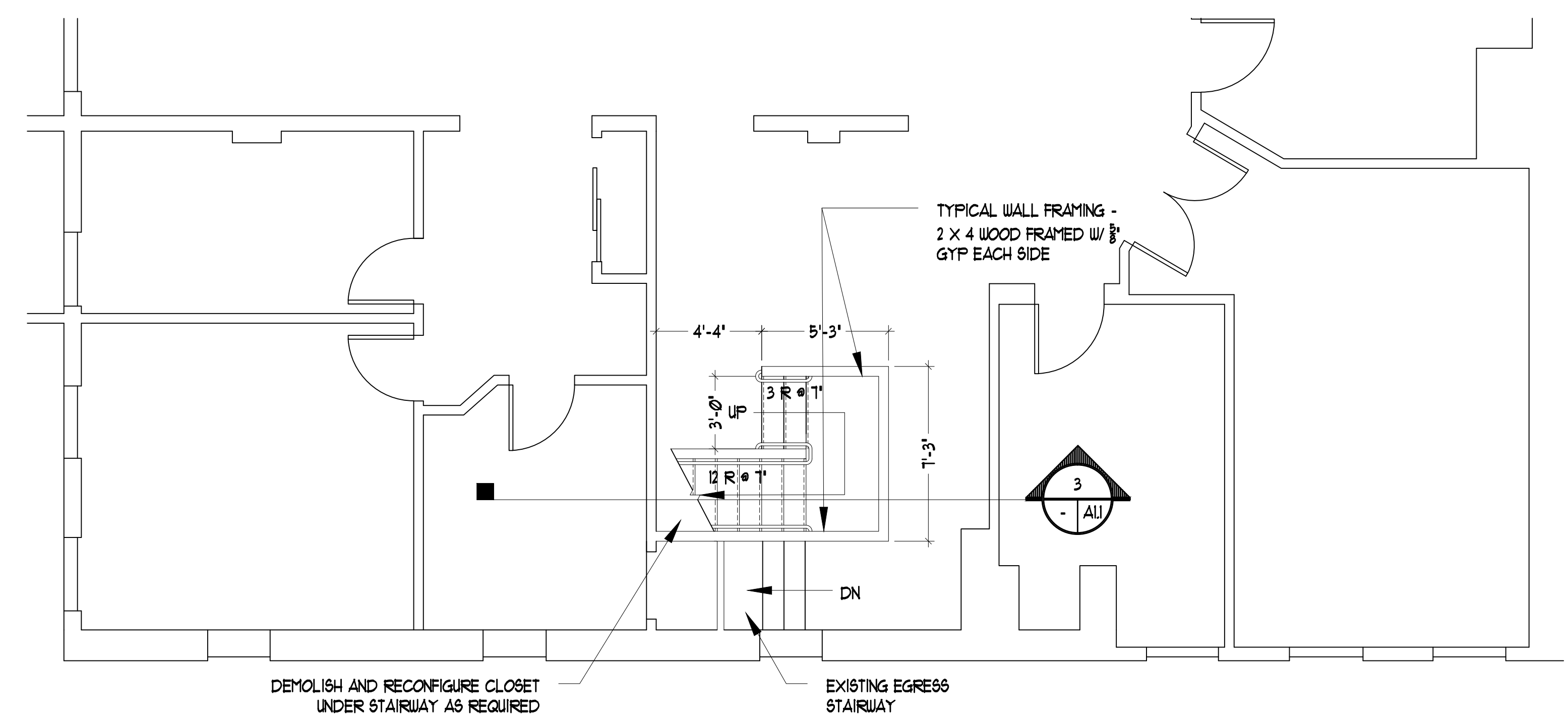
3 SECTION
SCALE: 1/4" = 1'-0"



2 MEZZANINE PLAN
SCALE: 1/4" = 1'-0"



1 SECOND FLOOR PLAN
SCALE: 1/4" = 1'-0"



DATE	DESCRIPTION
REVISIONS	

Date Issued: 11.11.13

Project Number: 142111

Drawing Scale: AS NOTED

SHEET NAME
MEZZANINE STAIR PLAN AND DETAILS

Drawn By:

Checked By: **A1.1**