

Gawron Turgeon ARCHITECTS
 29 Black Point Road
 Scarborough, Maine 04074
 www.gawronturgeon.com
 207-883-4307 ext. 307-883-0361 fax

PRUDENTIAL
 TWO PORTLAND SQUARE THIRD FLOOR
 PORTLAND, MAINE

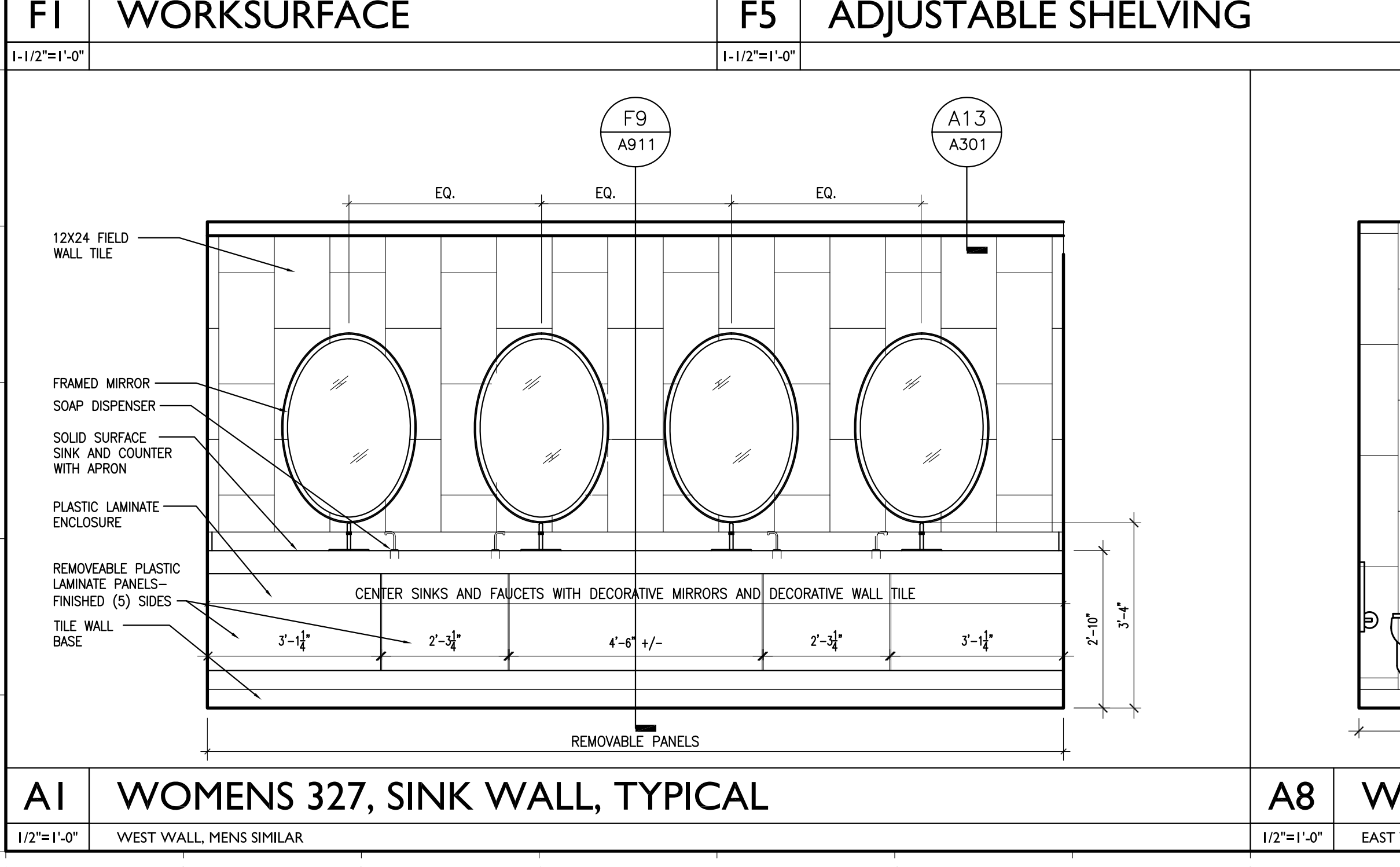
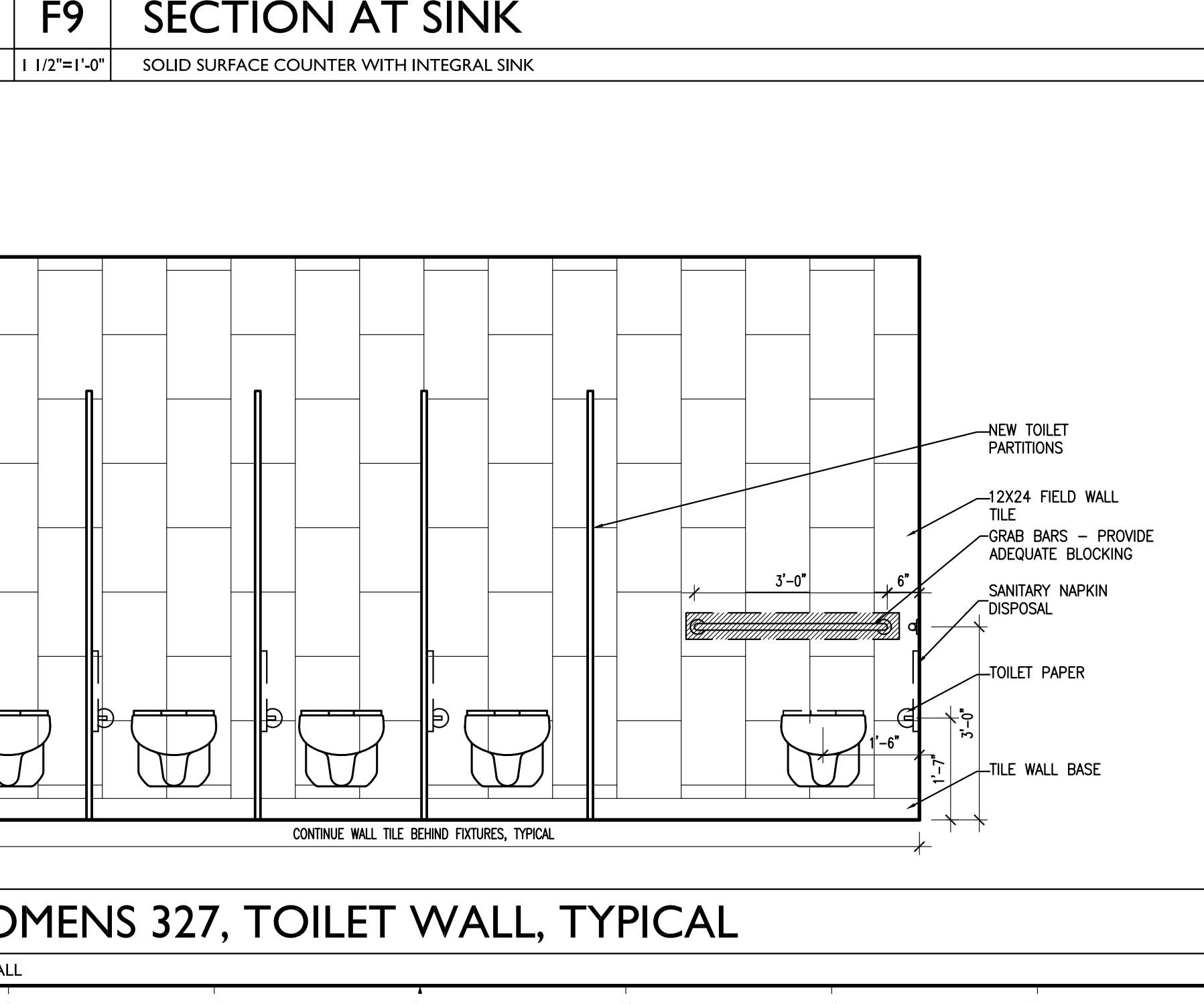
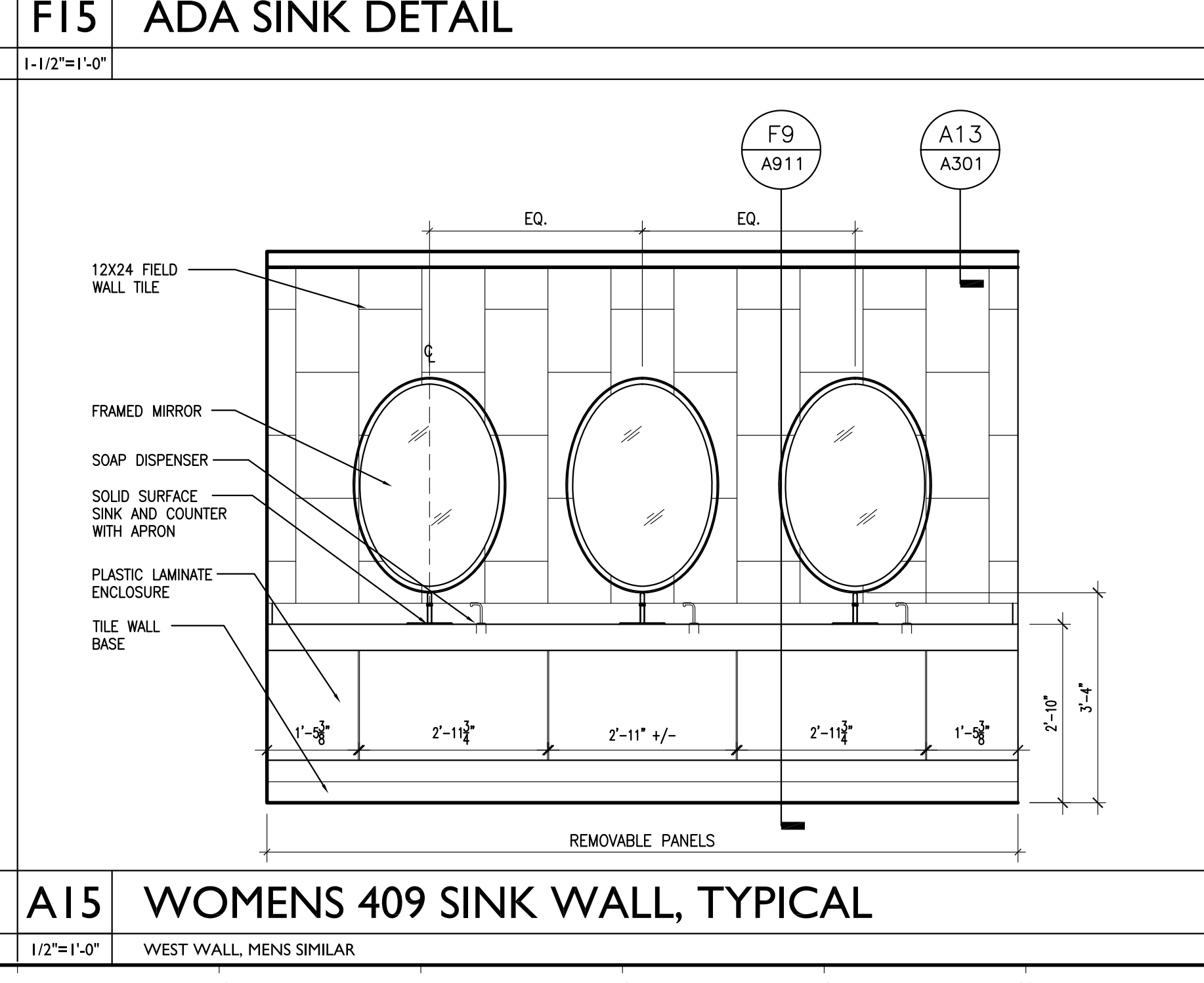
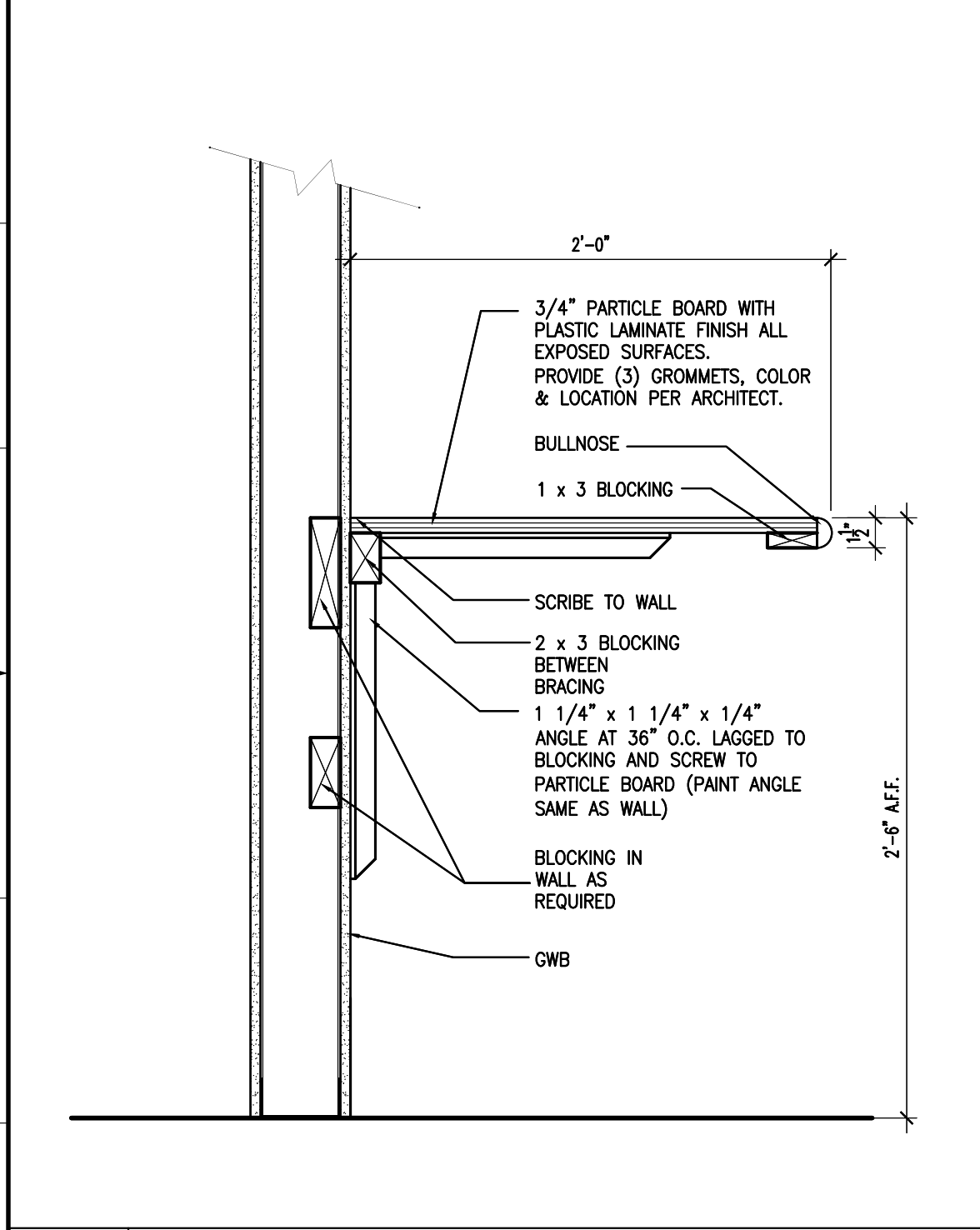
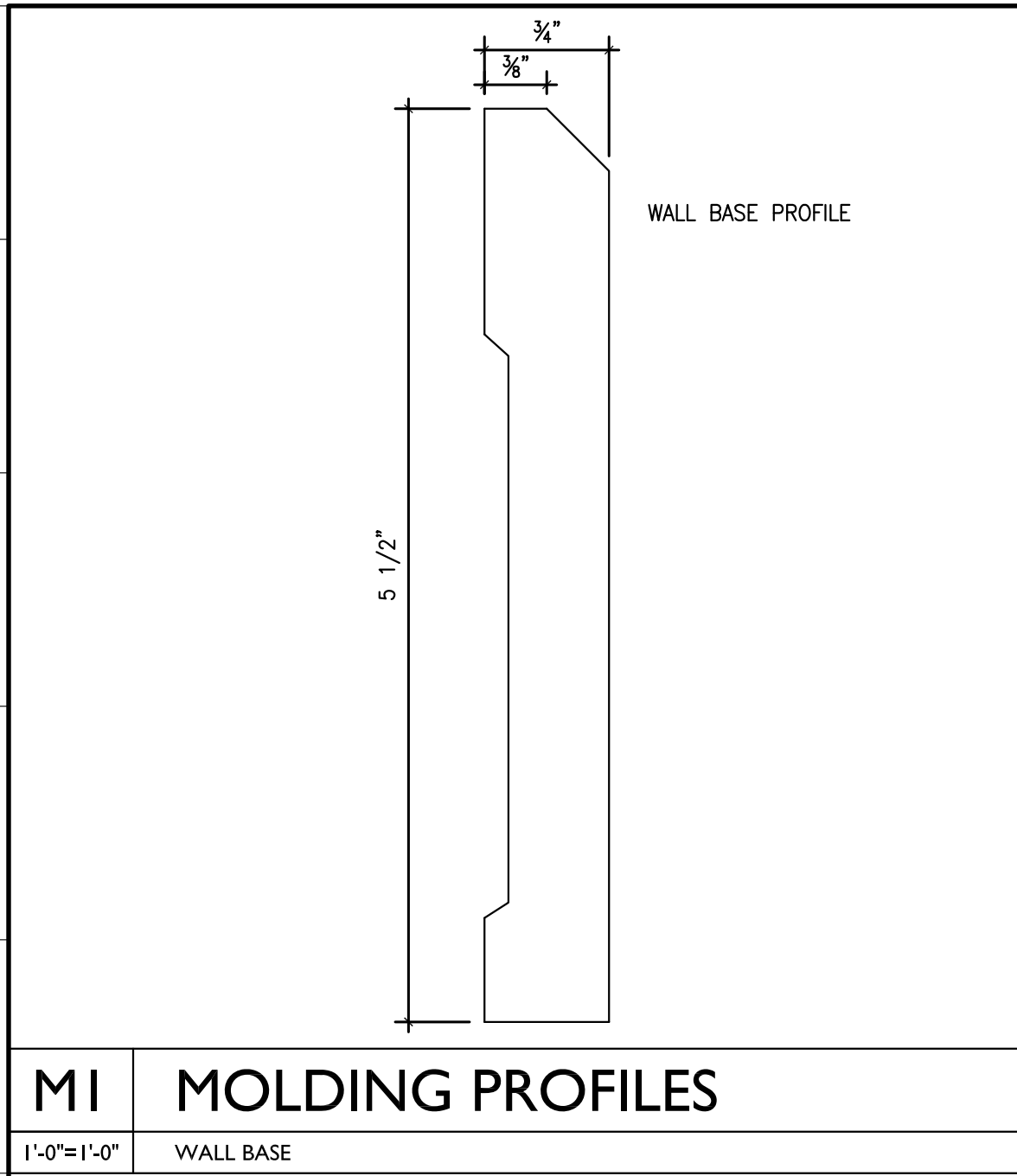
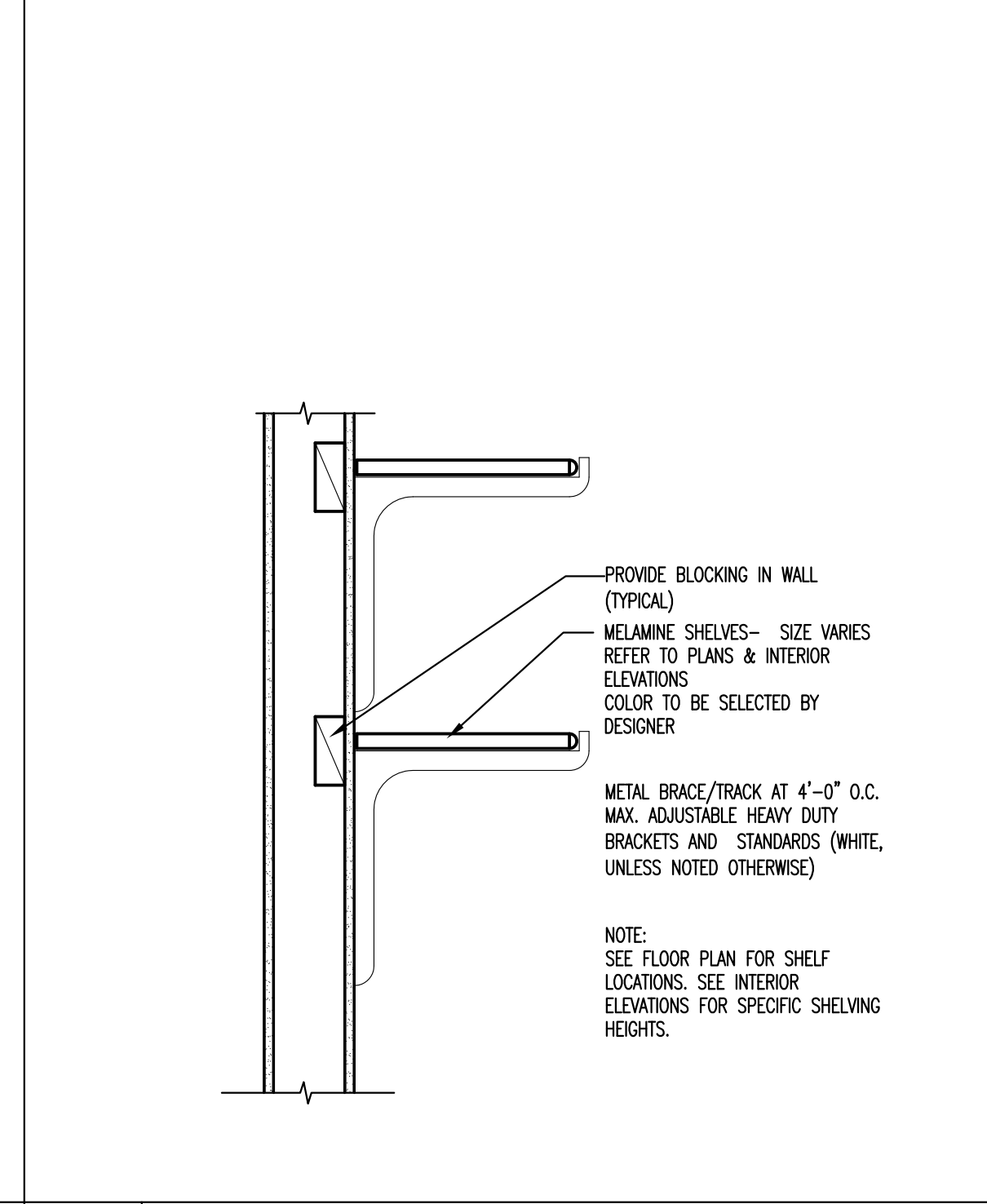
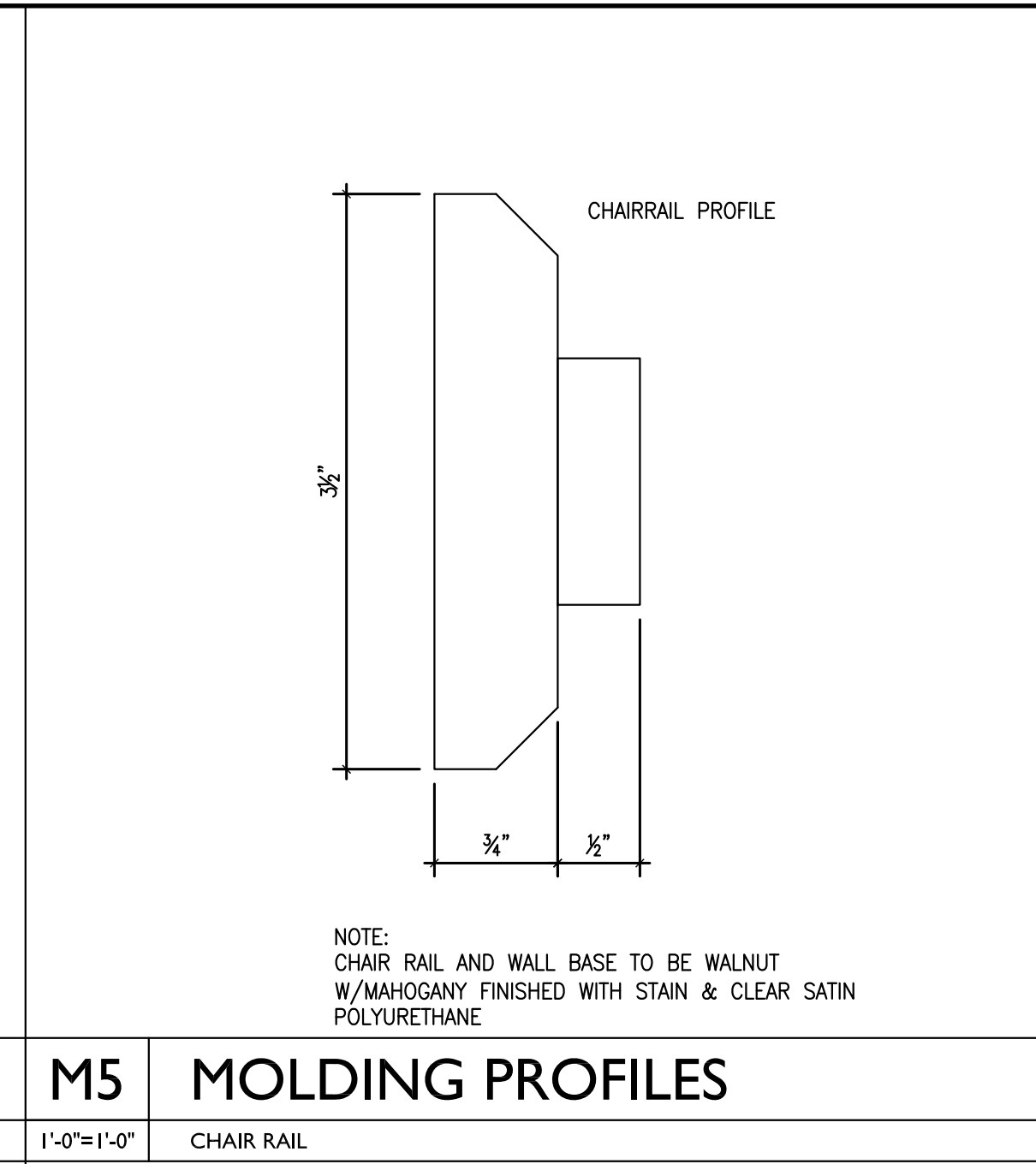
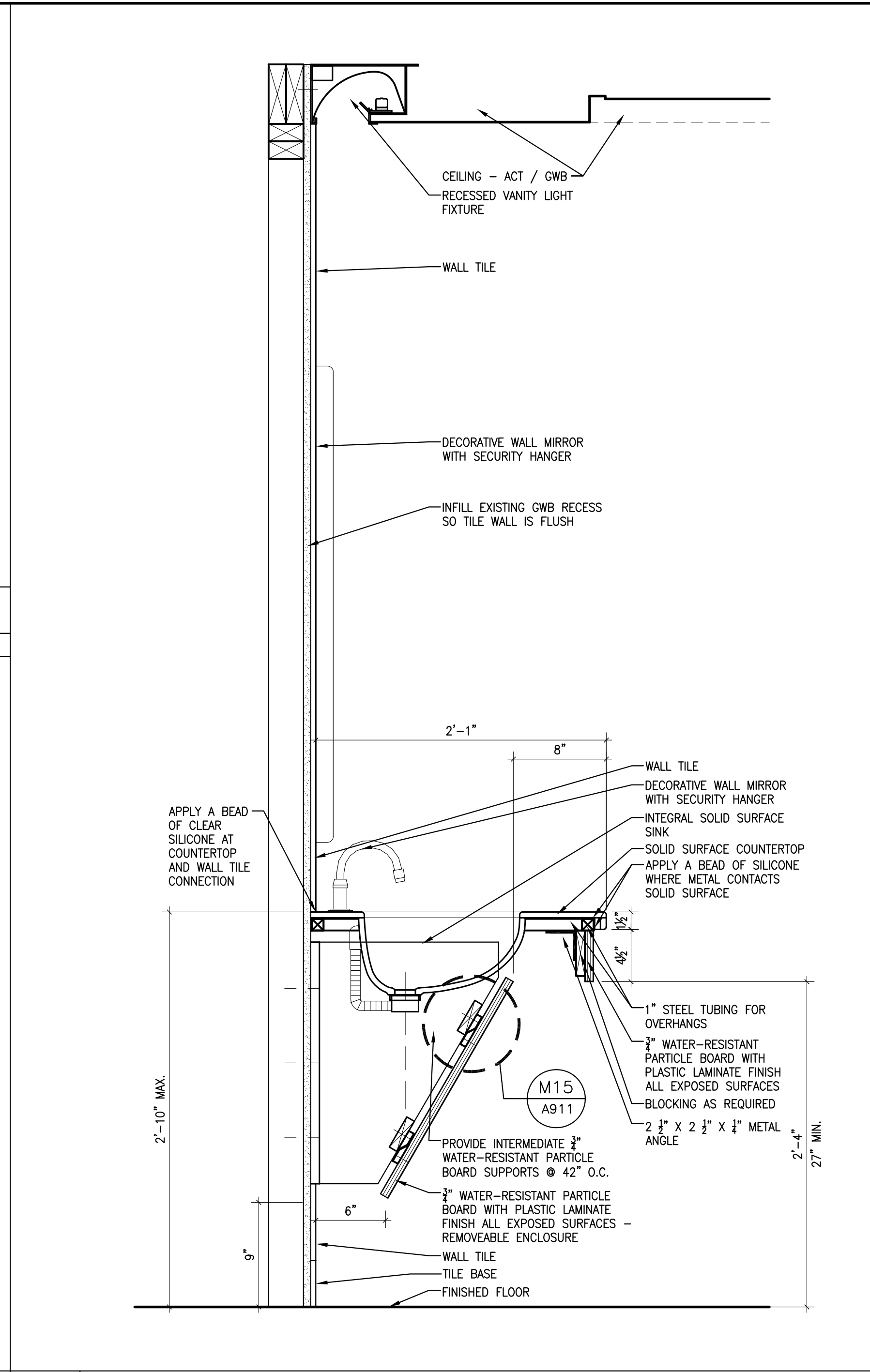
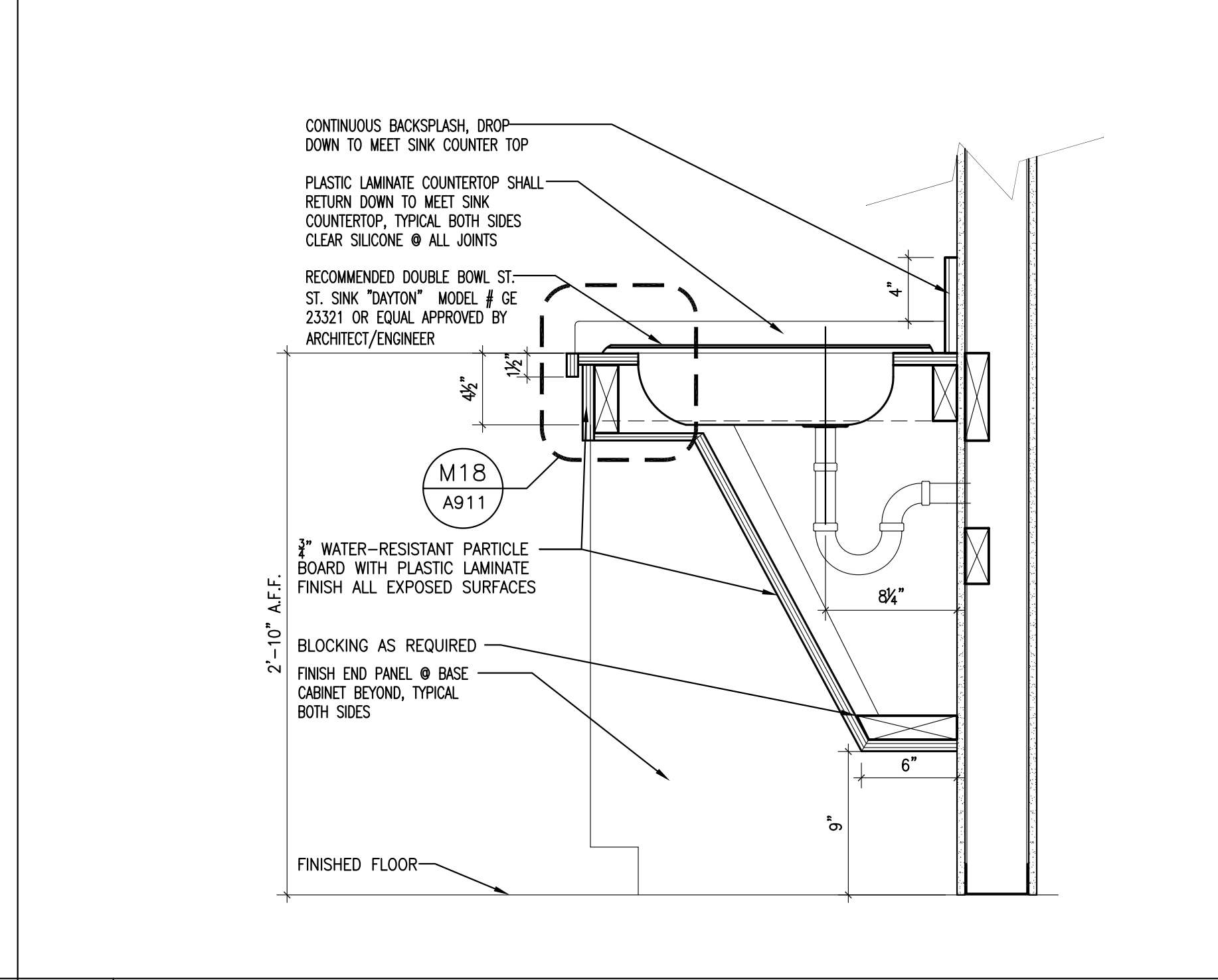
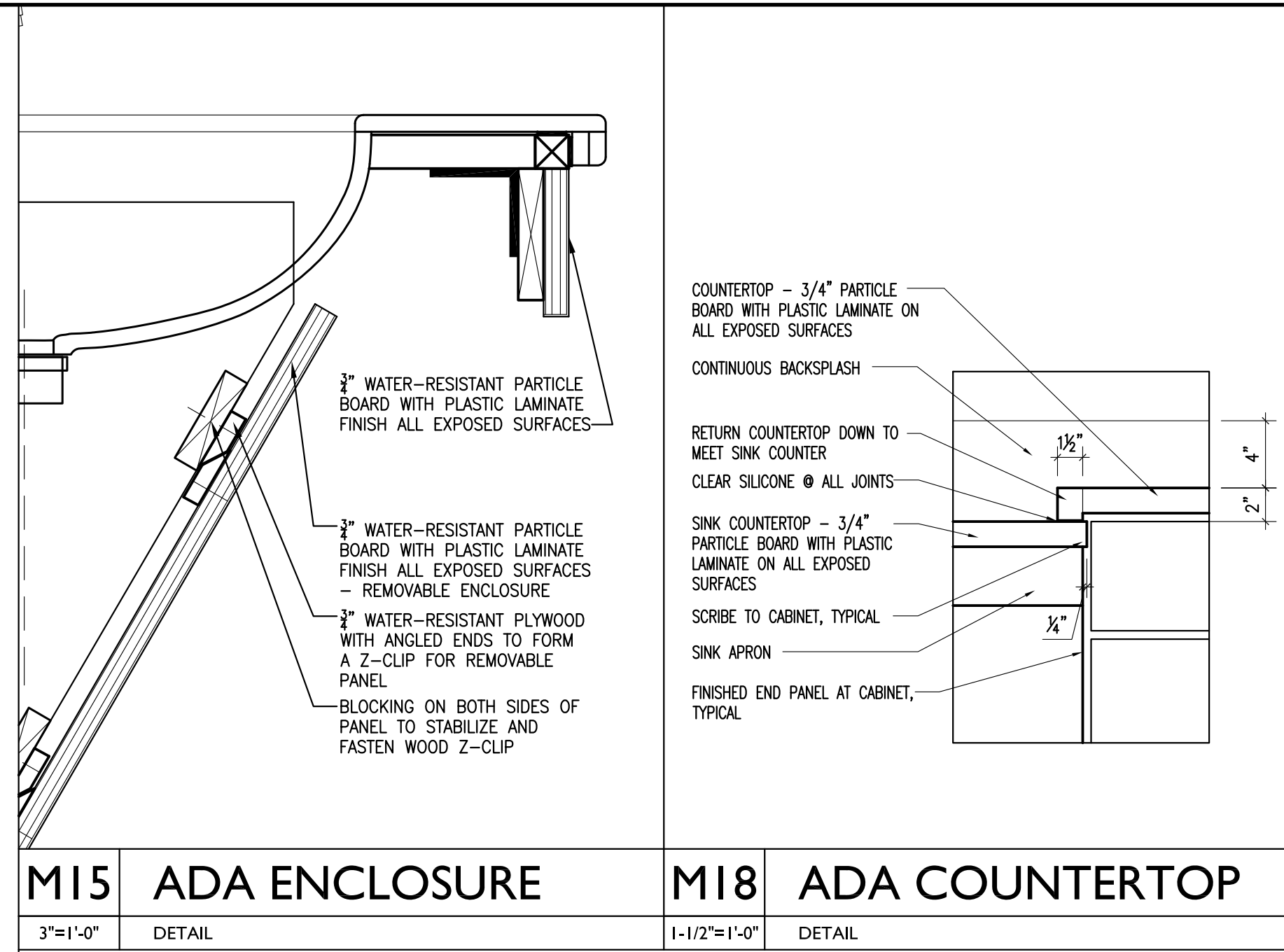
REVISIONS		
#	DATE	DESCRIPTION

DATE:	07.23.10
PROJECT #:	040510
DRAWN BY:	DLP/SCM
CHECKED BY:	MET
DRAWING SCALE:	AS NOTED

SHEET TITLE
 INTERIOR ELEVATIONS AND DETAILS

A911

© COPYRIGHT 1985-2003
 REPRODUCTION OR RESALE OF
 THIS DOCUMENT WITHOUT
 WRITTEN PERMISSION OF
 GAWRON ARCHITECTS IS PROHIBITED



R
Q
P
O
N
M
L
K
J
I
H
G
F
E
D
C
B
A
1
2
3
4
5
6
7
8
9
10
11
12
13
14
15
16
17
18
19
20