

GAWRON TURGEON ARCHITECTS
 29 Black Point Road
 Scarborough, ME 04074
 www.gawronturgeon.com
 Tel. 207. 883. 6307
 Fax. 207. 883. 0361

PRUDENTIAL
 PORTLAND, MAINE

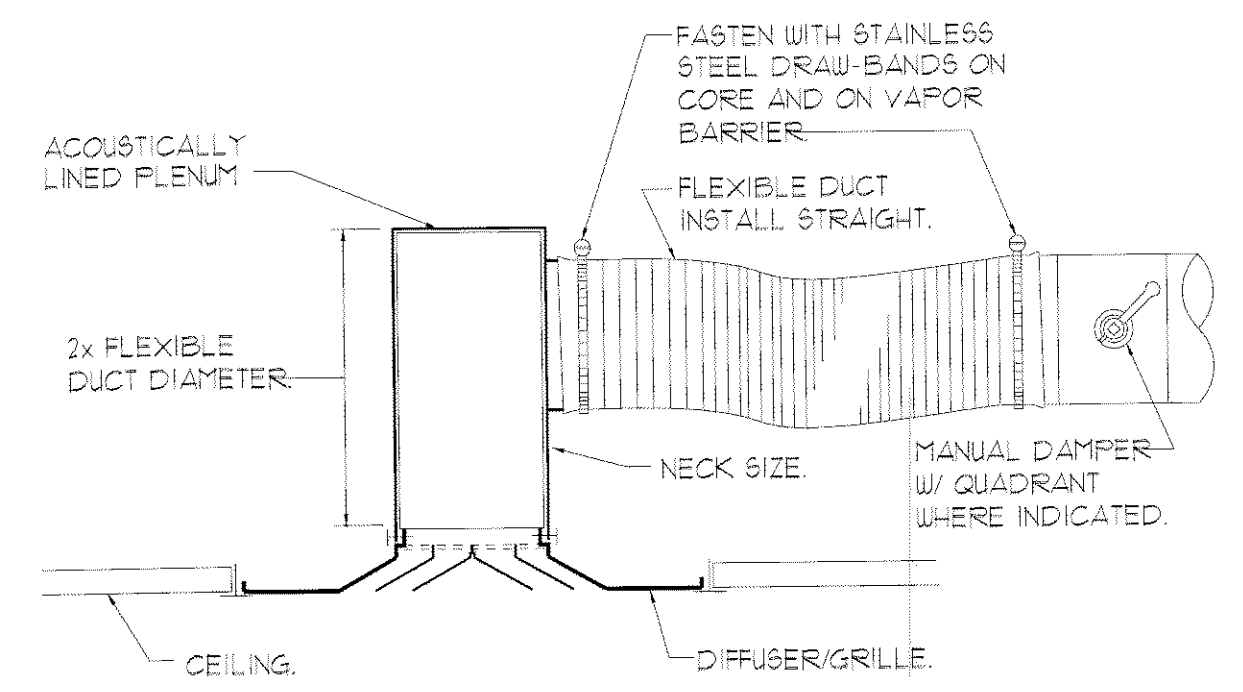
REVISIONS	
#	DATE DESCRIPTION

DATE:	9-5-08
PROJECT #:	110807
DRAWN BY:	JMV
CHECKED BY:	SPDoI
DRAWING SCALE:	1/8"=1'-0"

SHEET TITLE
 MECHANICAL DETAILS,
 LEGEND & SCHEDULES

M200

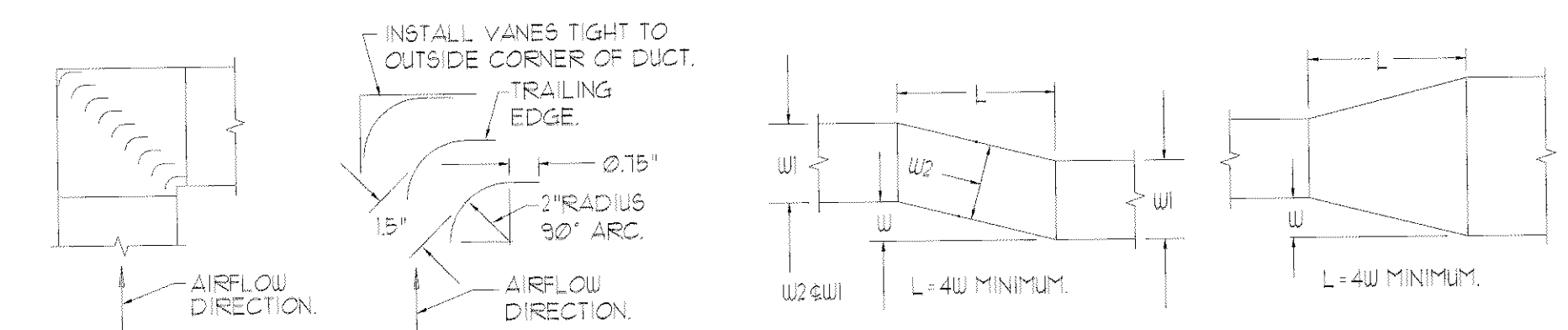
© COPYRIGHT 1985-2003
 REPRODUCTION OR USE OF
 THIS DOCUMENT WITHOUT
 WRITTEN PERMISSION OF
 GAWRON ARCHITECTS IS PROHIBITED



DIFFUSER/RETURN CONNECTION DETAIL

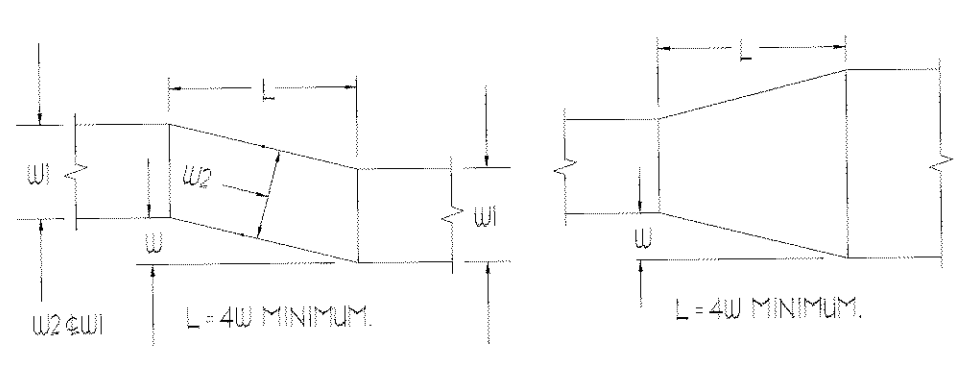
NTS

NOTE: DETAIL TYPICAL FOR CEILING GRILLES, REGISTERS AND LINEAR DIFFUSERS. FOR SURFACE-MOUNT DEVICES, SUPPORT PLENUM FROM CEILING GRID WITH STEEL ANGLES FASTENED TO PLENUM.



RECT. ELBOW W/TURNING VANES

NTS
 NOTE: INSTALL VANE EDGES TO PROJECT TANGENTS PARALLEL TO DUCT SIDES.

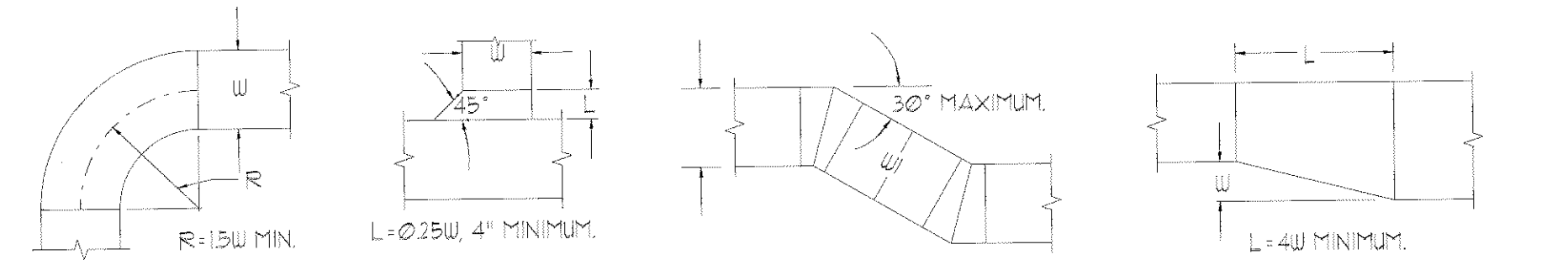


OFFSET TYPE 1 (ANGLED)

NTS

CONCENTRIC TRANSITION

NTS



RADIUS ELBOW

NTS

RECTANGULAR TAP 45 DEGREE ENTRY

NTS

OFFSET TYPE 2 (MITERED)

NTS

ECCENTRIC TRANSITION

NTS

LOW PRESSURE DUCT CONSTRUCTION DETAILS - TYPICAL

NTS

PLUMBING FIXTURE CONNECTION SCHEDULE

TAG	DESCRIPTION	SAN	VENT	CW	HW
P-1	ADA SINGLE BOWL SS KITCHEN SINK	1-1/2"	1-1/2"	1/2"	1/2"

MINIMUM SIZE OF BELOW SLAB SANITARY & VENT PIPING SHALL BE 2".

ELECTRIC BASEBOARD HEATER PERFORMANCE SCHEDULE

TAG	OUTPUT (MBH)	AIRFLOW (CFM)	MOUNT. HGT. (IN)	ELECTRICAL REQUIREMENTS		BASIS OF DESIGN - BERKO	
				KW	V/PH/Hz	SERVICE	MODEL
EBB-1	3.4	-	-	10	277/1/60	MULTIPLE	BKOC2514W

PROVIDE WITH REMOTE THERMOSTATS.
 MOUNTING HEIGHT SHALL BE PER MANUFACTURER'S RECOMMENDATIONS.

Disposer (at P-1 in Staff Lounge) - In-Sink-Erator Model "11", 3/4 Hp, 120V, batch feed with integral overload protection, 5 year warranty.

MECHANICAL AND PLUMBING SYMBOLS AND ABBREVIATIONS LEGEND

NOTE: USE SYMBOLS AND ABBREVIATIONS AS APPLICABLE FOR THIS MECHANICAL DRAWING SET. SOME SYMBOLS AND ABBREVIATIONS IN THIS LEGEND MAY NOT APPLY.

SYMBOL	DESCRIPTION	SYMBOL	DESCRIPTION	ABBREVIATION	DESCRIPTION	ABBREVIATION	DESCRIPTION	ABBREVIATION	DESCRIPTION	ABBREVIATION	DESCRIPTION
---	SANITARY PIPING BELOW FLOOR (SAN)	⊙	ROOM TEMPERATURE SENSOR	AD	ACCESS DOOR	EDB	ENTERING DRY BULB	I-B-R	INSTITUTE OF BOILER AND RADIATOR MANUFACTURERS	PVC	POLYVINYL CHLORIDE (PIPE)
---	SANITARY PIPING ABOVE FLOOR (SAN)	⊙	THERMOSTAT OR SENSOR ON WALL	AFF	ABOVE FINISHED FLOOR	EER	ENERGY EFFICIENCY RATIO	IN.	INCHES	RA	RETURN AIR
---	SANITARY VENT PIPING	⊙	TSTAT OR SENSOR W/ TAMPERPROOF GUARD	AHJ-*	AIR HANDLING UNIT TAG	EF-*	EXHAUST FAN TAG	LAT	LEAVING AIR TEMPERATURE	RLA	RUNNING LOAD AMPS
---	RAINWATER LEADER ABOVE SLAB (RWL)	⊙	AIR DEVICE TAG (LETTER) WITH CFM	AMPS	AMPERES	EFF	EFFICIENCY	LB	POUNDS	RPM	REVOLUTIONS PER MINUTE
---	COLD WATER PIPING (CW)	⊙	TURNING VANES	AP	ACCESS PANEL	EG-*	EXHAUST GRILLE TAG	LRA	LOCKED ROTOR AMPS	RPS	REVOLUTIONS PER SECOND
---	HOT WATER PIPING (HW)	⊙	DUCT W/MANUAL DAMPER	APD	AIR PRESSURE DROP	ER-*	EXHAUST REGISTER TAG	MAX	MAXIMUM	RTU	ROOM TEMPERATURE SENSOR
---	RECIRCULATED HOT WATER PIPING (RHW)	⊙	DUCT W/FLEXIBLE CONNECTION (FC)	ATC	AUTOMATIC TEMPERATURE CONTROL	ESP	EXTERNAL STATIC PRESSURE	MBH	THOUSANDS OF BTU PER HOUR	SA	SUPPLY AIR
---	PIPE CAP	⊙	LAGGED DUCT	BD-*	BYPASS DAMPER TAG	EWB	ENTERING WET BULB	MC	MINIMUM CIRCUIT AMPACITY	SAN	SANITARY (DRAIN & WASTE)
---	DIRECTION OF FLUID FLOW	⊙	DUCT W/ACOUSTIC LINING	BHP	BRAKE HORSEPOWER	EXG	EXISTING	MIN	MINIMUM	SP	STATIC PRESSURE
---	ELBOW UP	⊙	DUCT W/SQUARE-TO-ROUND TRANSITION	BTHU	BRITISH THERMAL UNITS PER HOUR	EXH	EXHAUST	NC	NOISE CRITERION	SQFT	SQUARE FEET
---	ELBOW DOWN	⊙	FLEXIBLE DUCT	CFM	CUBIC FEET PER MINUTE	FC	FLEXIBLE CONNECTION	NIC	NOT IN CONTRACT	ΔT	TEMPERATURE DIFFERENTIAL
---	PIPE TEE UP	⊙	MOTOR OPERATED DAMPER	CO	CLEANOUT	FCO	FLOOR CLEANOUT	NTS	NOT TO SCALE	TEMP.	TEMPERATURE
---	PIPE TEE DOWN	⊙	AIRFLOW OUT	CW	COLD WATER	FD	FIRE DAMPER	OA	OUTSIDE AIR	TCP	TEMPERATURE CONTROL PANEL
---	PIPE REDUCER	⊙	AIRFLOW IN	DB	DRY BULB	FLA	FULL LOAD AMPS	OPD	OPPOSED BLADE DAMPER	TSP	TOTAL STATIC PRESSURE
---	PIPE WITH GUIDE	⊙	DIAMETER OR FLAT OVAL	DB RE	DECIBELS RELATIVE TO	RPM	FEET PER MINUTE	OD.	OUTSIDE DIAMETER	TYF	TYPICAL
---	PIPE WITH ANCHOR	⊙	FIRE DAMPER	DEG F	DEGREES FAHRENHEIT	FT	FEET	O.D.	OVERCURRENT PROTECTIVE DEVICE	V/PH/Hz	VOLTS/PHASES/HERTZ
---	BALL VALVE	⊙	ROUND OR FLAT OVAL DUCT DOWN	DIA	DIAMETER	G.A.	GAGE	P-*	PLUMBING FIXTURE TAG	WCO	WALL CLEANOUT
---	BALL VALVE	⊙	ROUND OR FLAT OVAL DUCT UP	DIW	DOWN IN WALL	GAL	GALLONS	FENETN	FENETRATION	WG	WATER GAGE
---	UNION	⊙	SUPPLY DIFFUSER	DN	DOWN	GPM	GALLONS PER MINUTE	PSIA	POUNDS PER SQUARE INCH ABSOLUTE	WSA	WIRE SIZING AMPS
---		⊙	RETURN GRILLE	EA	EXHAUST AIR	HP	HORSEPOWER	PSIG	POUNDS PER SQUARE INCH GAGE	W	WITH
---		⊙		EAT	ENTERING AIR TEMPERATURE	HU	HOT WATER			ZD-*	ZONE DAMPER TAG