

GAWRON TURGEON ARCHITECTS
 29 Black Point Road
 Scarborough, ME 04074
 www.gawronturgeon.com
 Tel: 207.883.6307
 Fax: 207.883.0361

PRUDENTIAL
 TWO PORTLAND SQUARE FOURTH FLOOR
 PORTLAND, MAINE

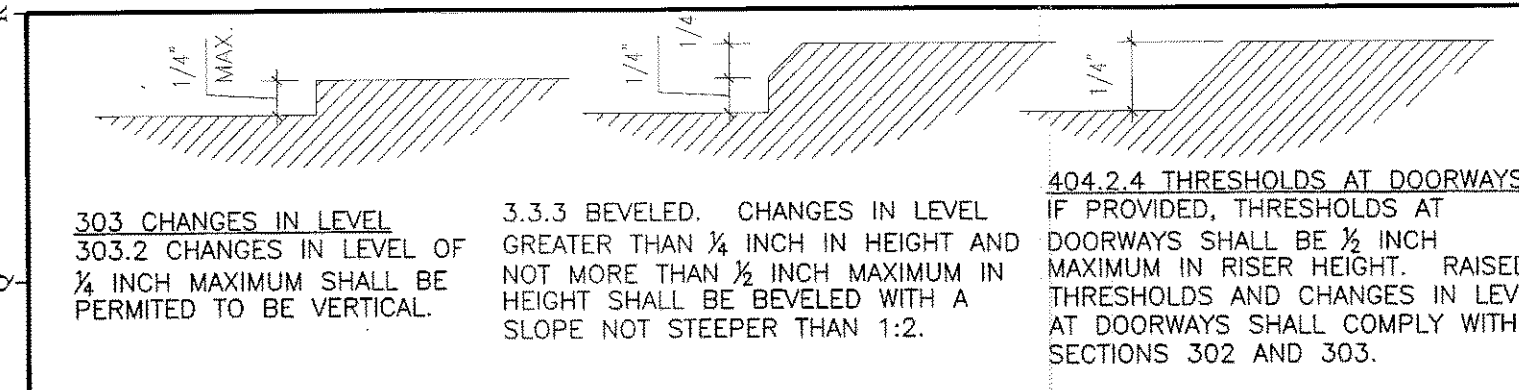
REVISIONS		
#	DATE	DESCRIPTION
1	02.11.04	RE-ISSUED FOR CONSTRUCTION
2	09.04.08	RE-ISSUED FOR CONSTRUCTION EXPANSION OF PHASE 3

DATE:	09.04.08
PROJECT #	110807
DRAWN BY:	DLP
CHECKED BY:	MET
DRAWING SCALE	AS NOTED

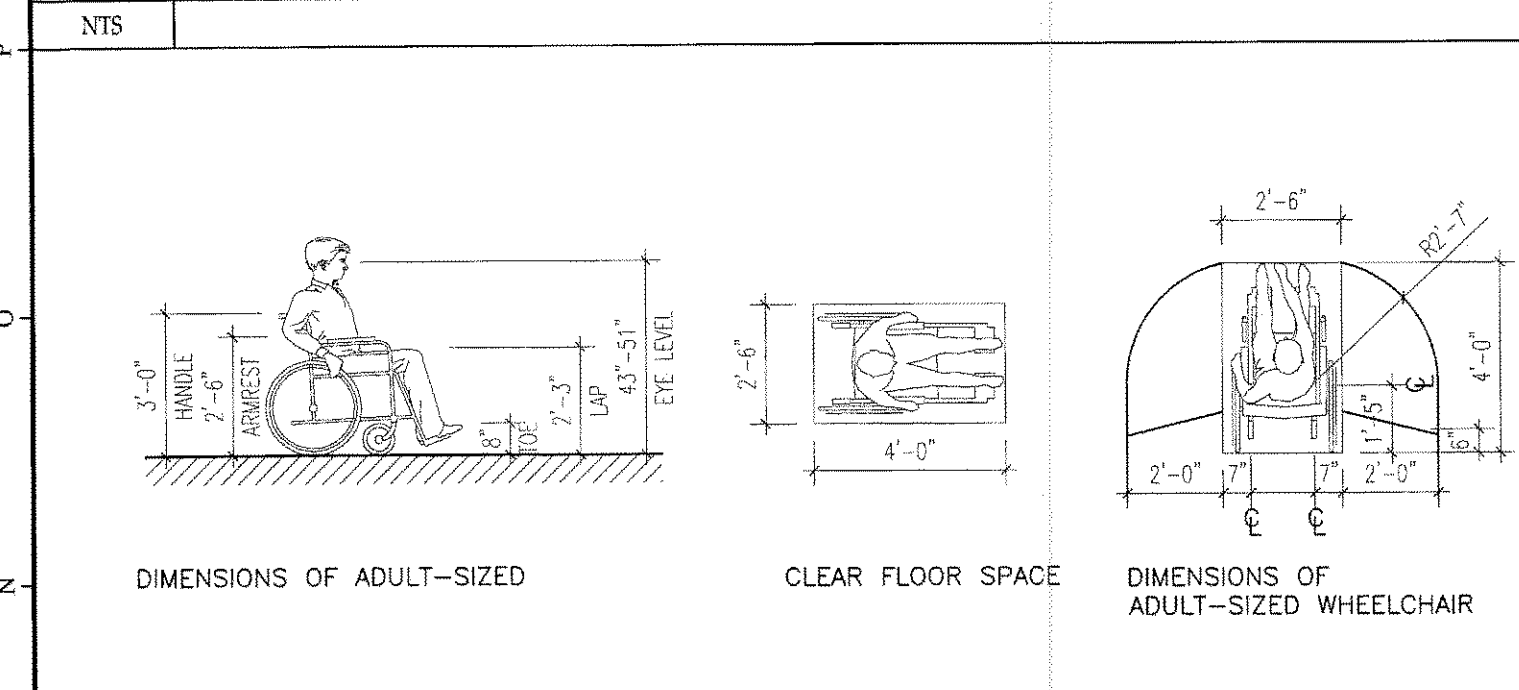
SHEET TITLE
 GENERAL ADA STANDARDS

G104

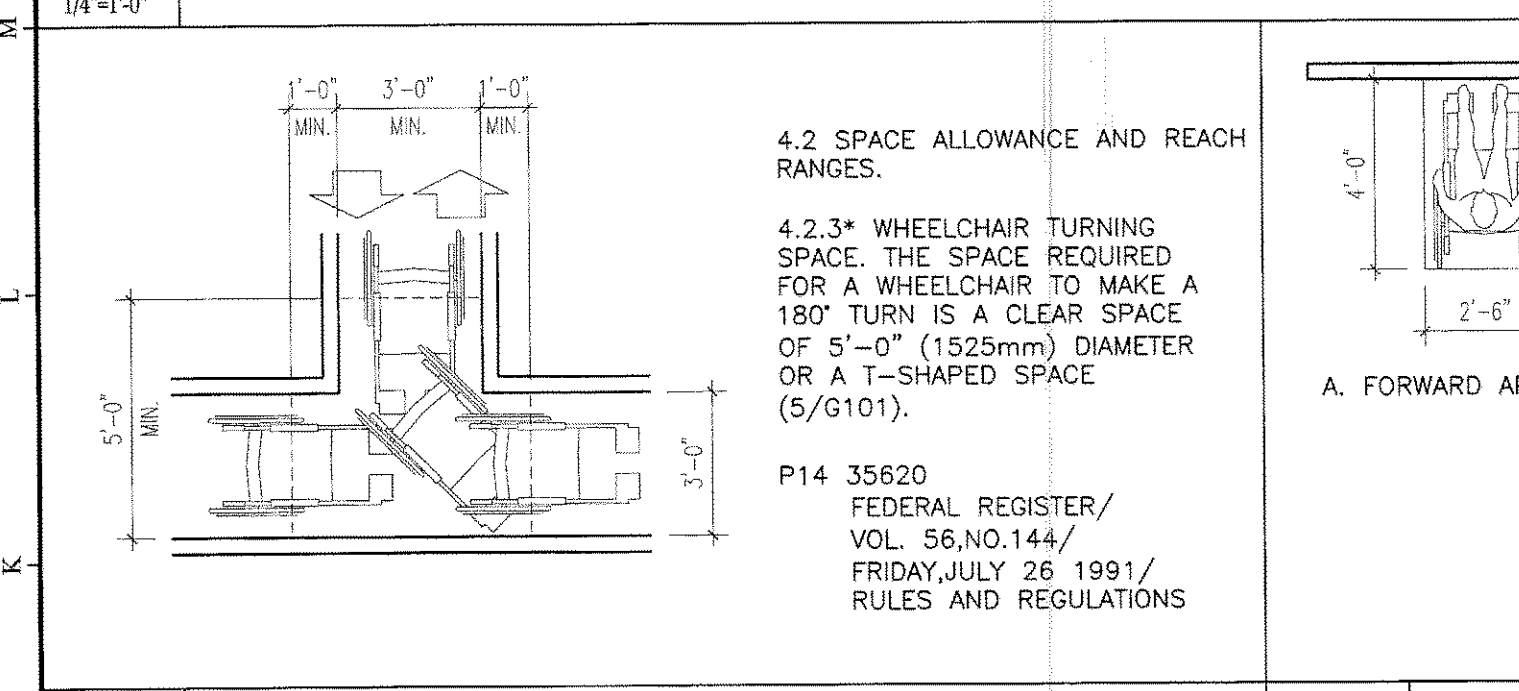
© COPYRIGHT 1985-2003
 REPRODUCTION OR USE OF
 THIS DOCUMENT WITHOUT
 WRITTEN PERMISSION OF
 GAWRON ARCHITECTS IS PROHIBITED



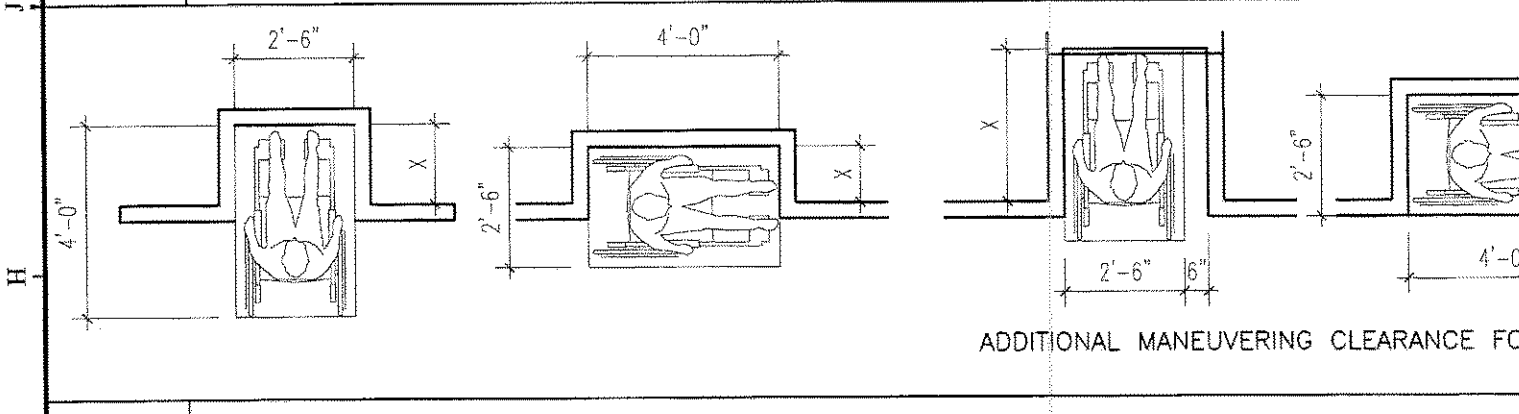
P1 MIN. CHANGES IN LEVEL & DOOR THRESHOLDS



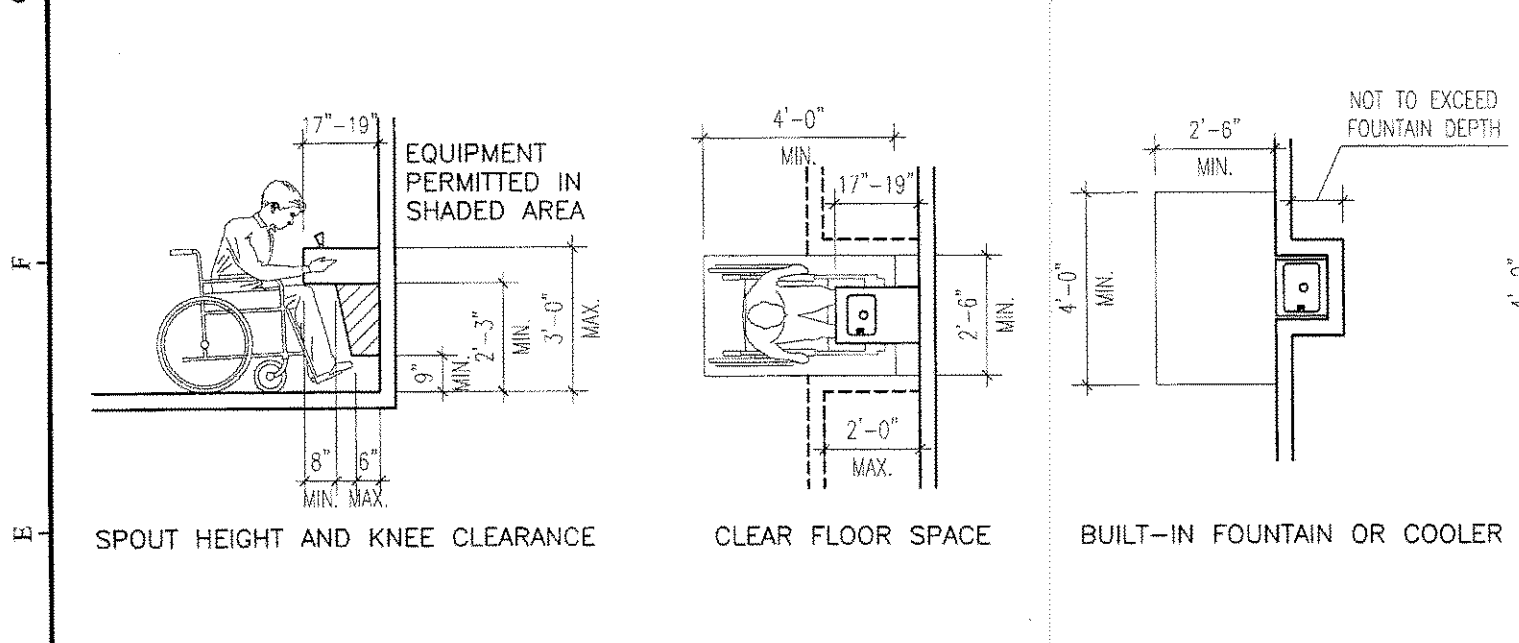
M1 ADULT-SIZED WHEELCHAIR DETAILS



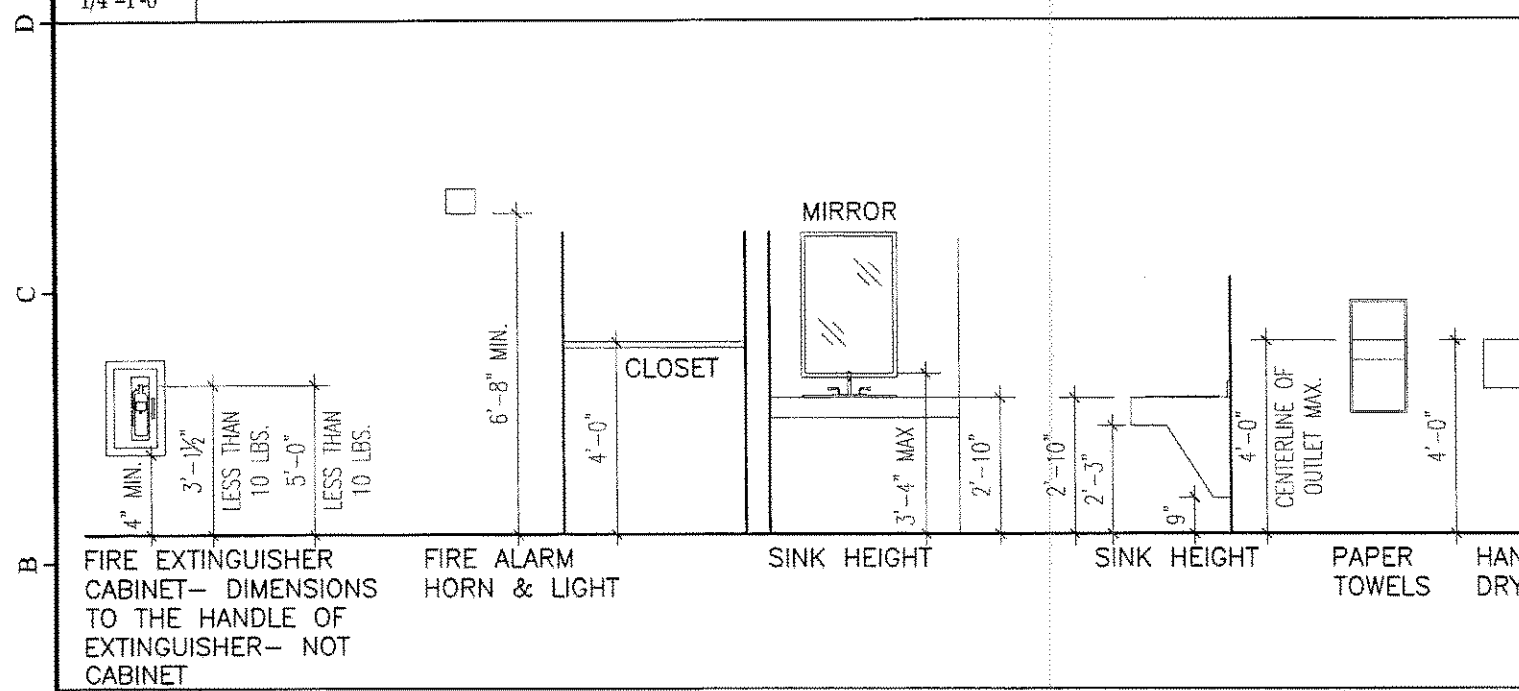
J1 T-SHAPED SPACE FOR 180° TURNS



G1 CLEAR FLOOR SPACE IN ALCOVE

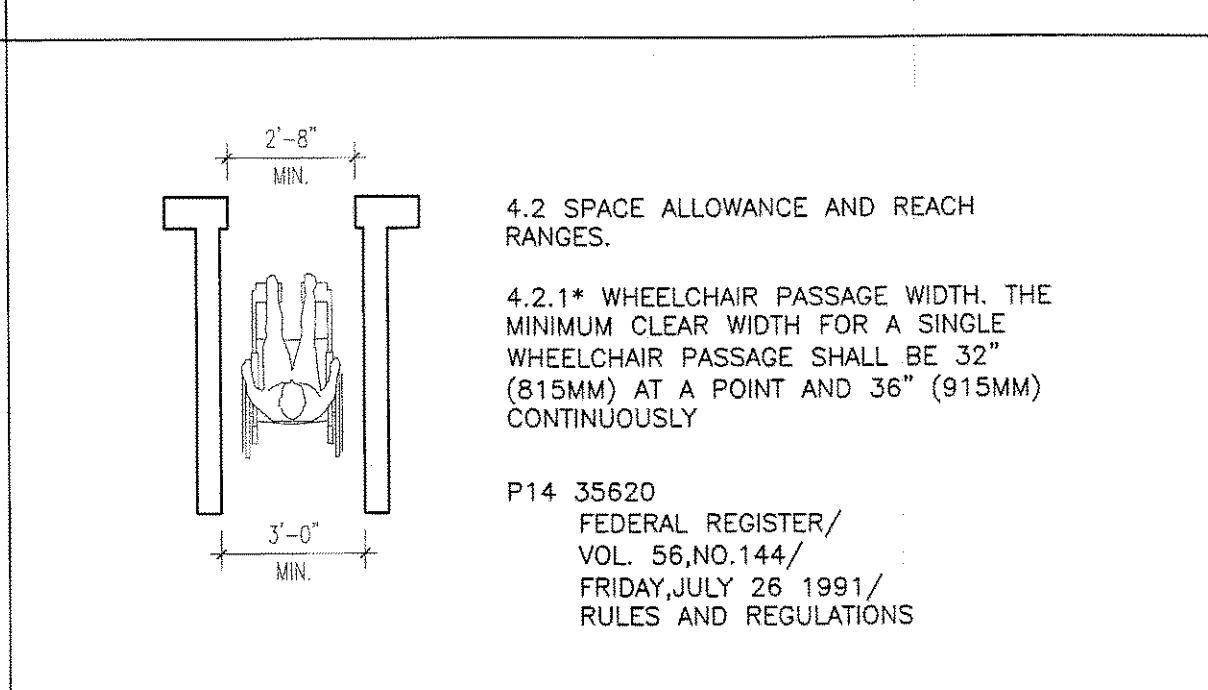


D1 CLEARANCES FOR FOUNTAIN

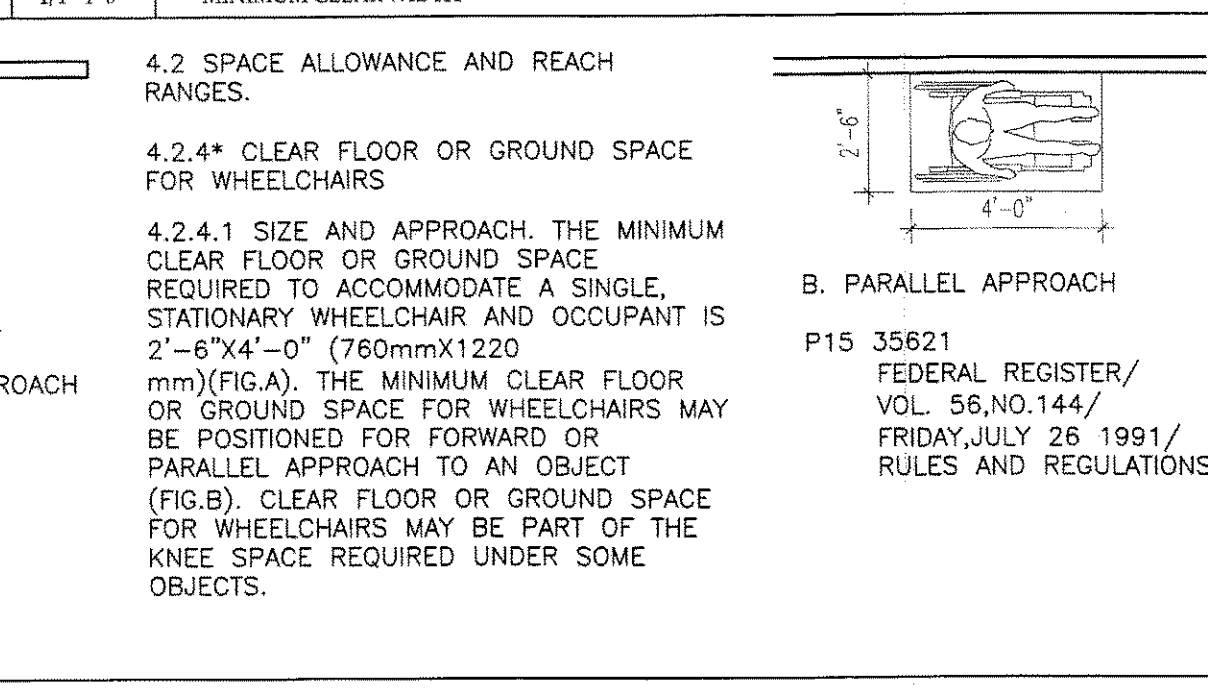


A1 CLEARANCES FOR BATHROOMS AND MISCELLANEOUS ITEMS

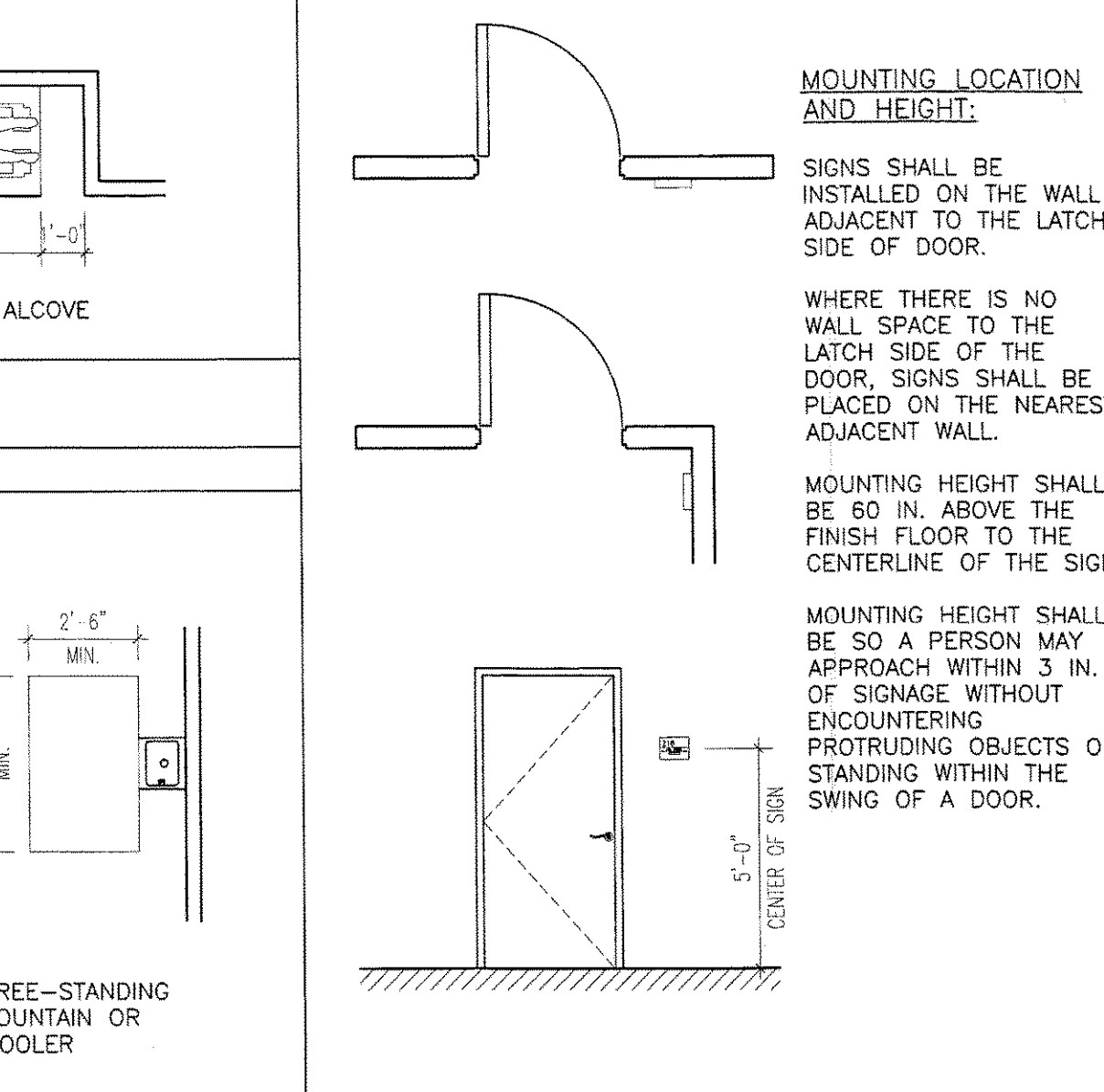
M6 SINGLE WHEELCHAIR



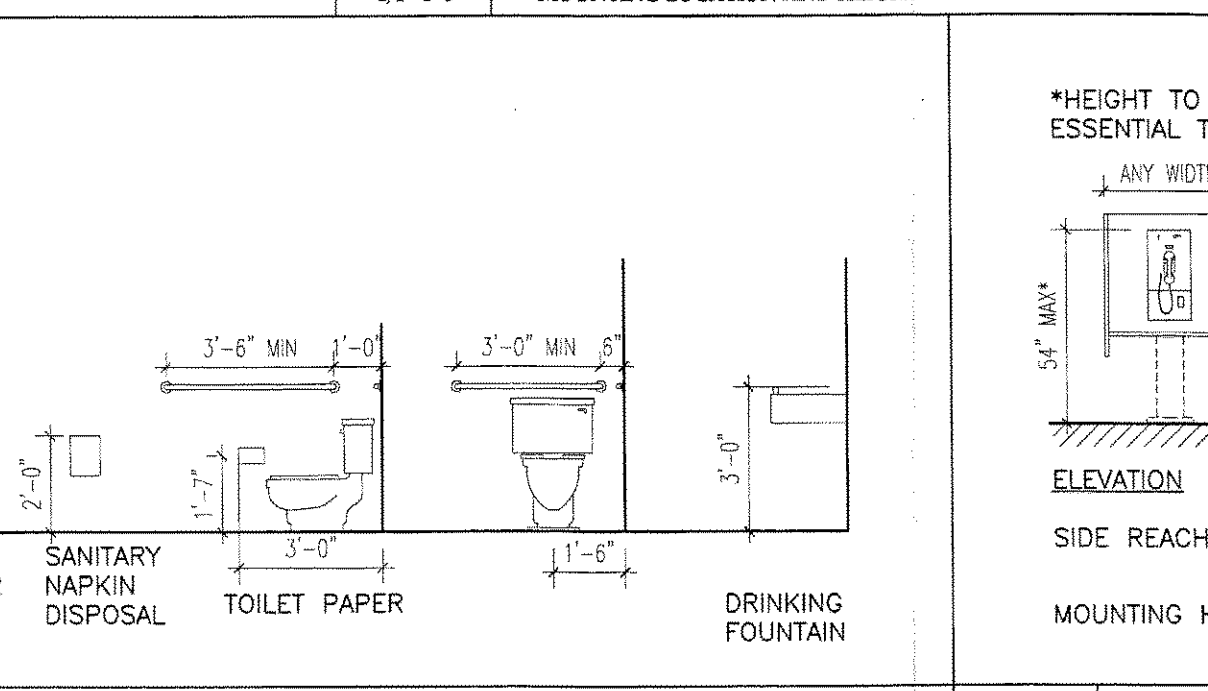
M10 TWO WHEELCHAIR



J5 FORWARD AND PARALLEL APPROACHES

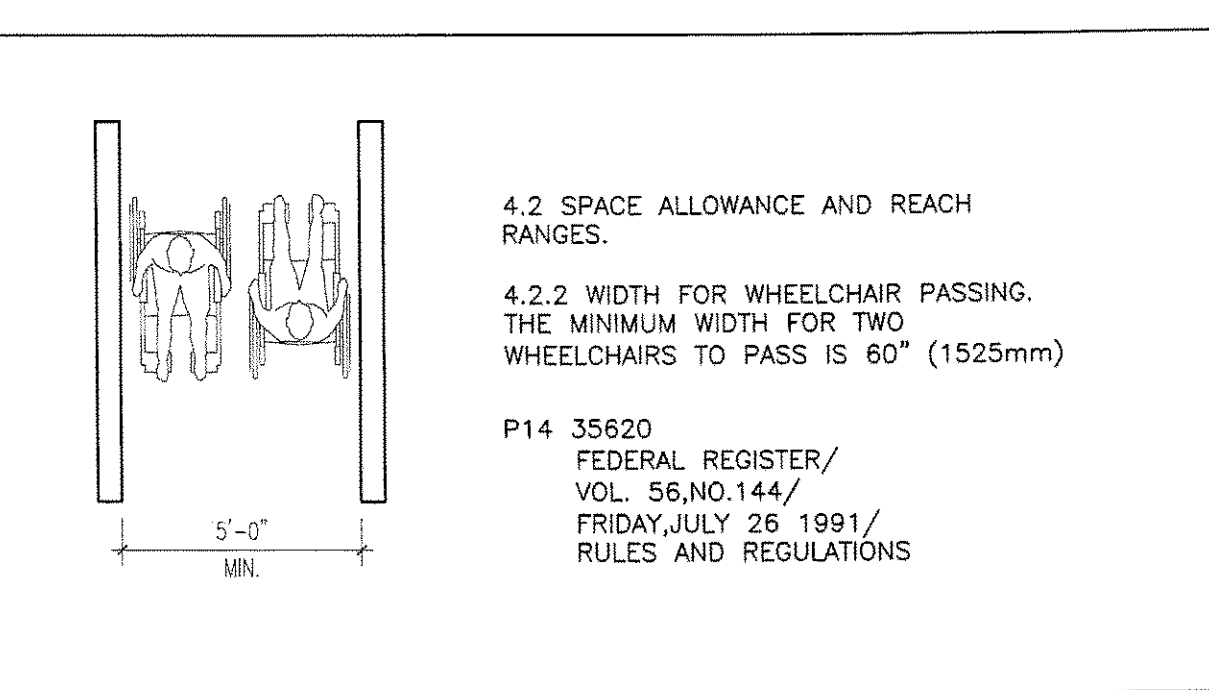


D7 SIGNAGE

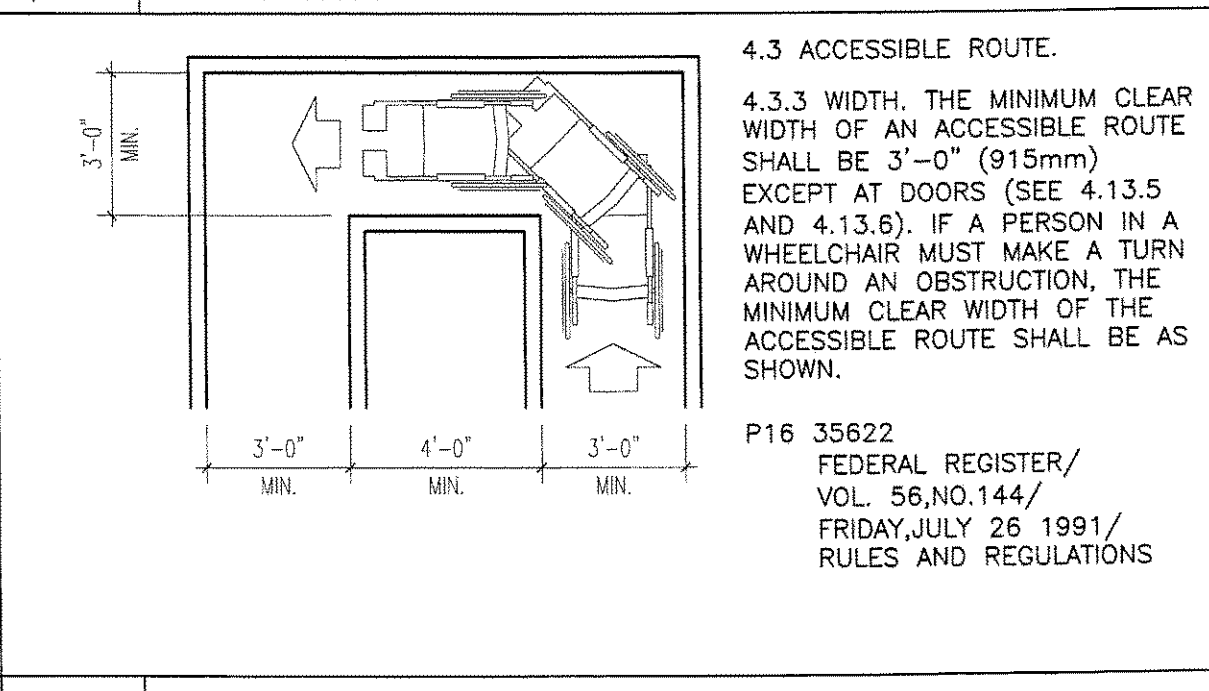


A9 CLEARANCES FOR TELEPHONE

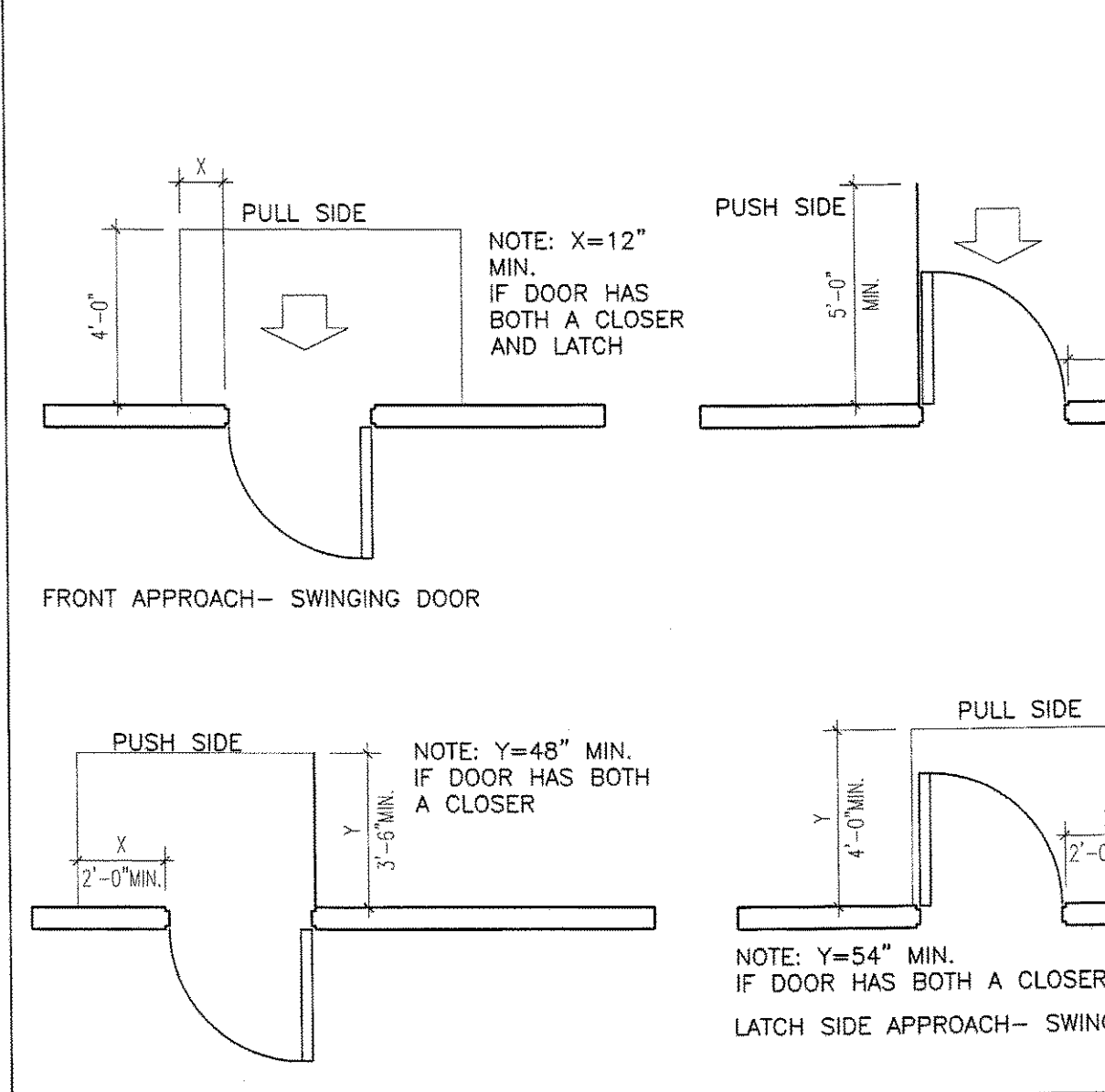
P14 STAIR HANDRAIL EXTENSION



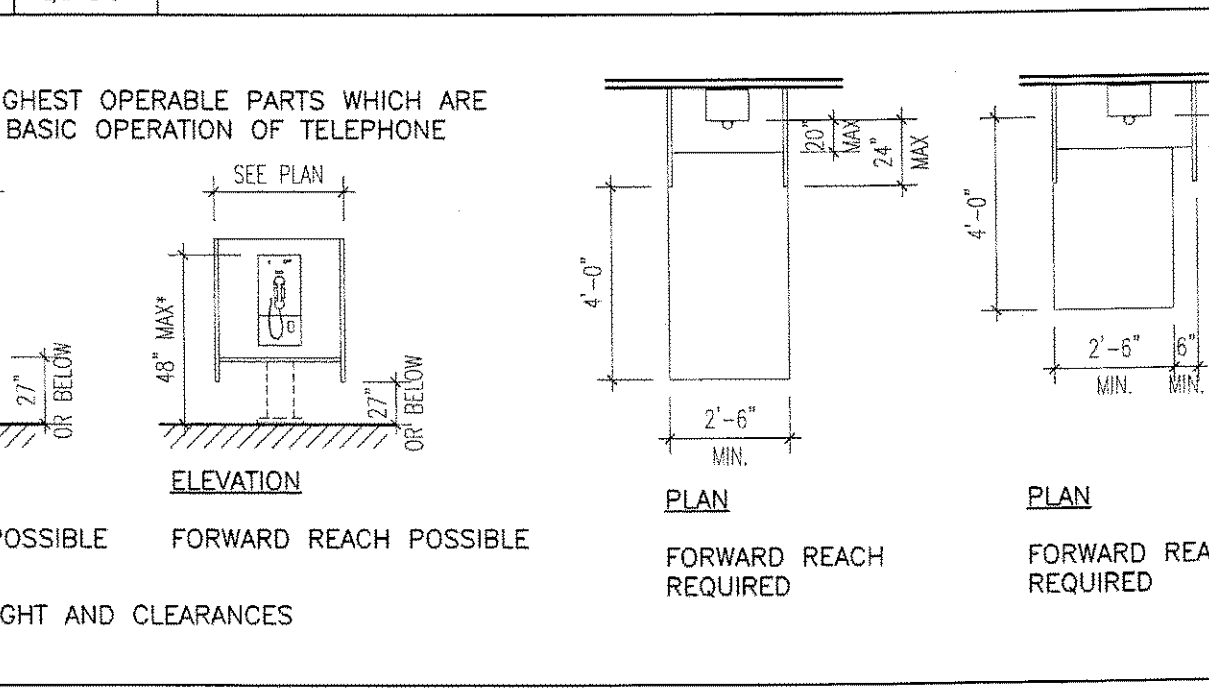
M14 TURNING SPACE



J10 90° TURNS

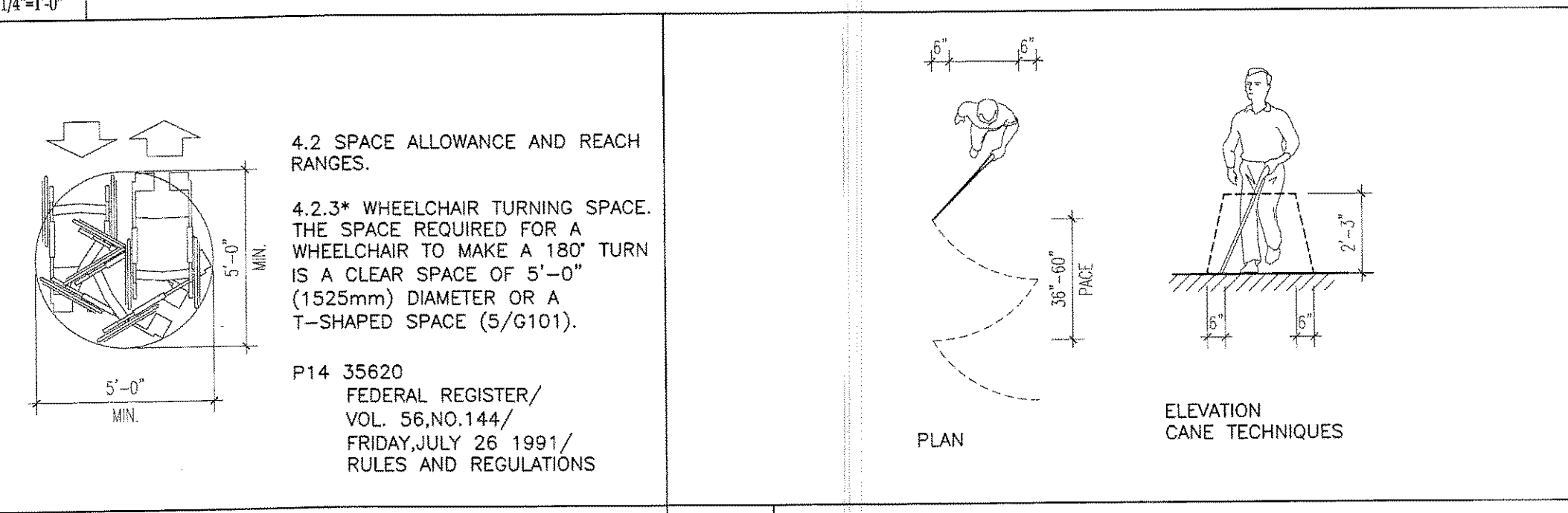


D10 MANEUVERING CLEARANCES AT DOOR

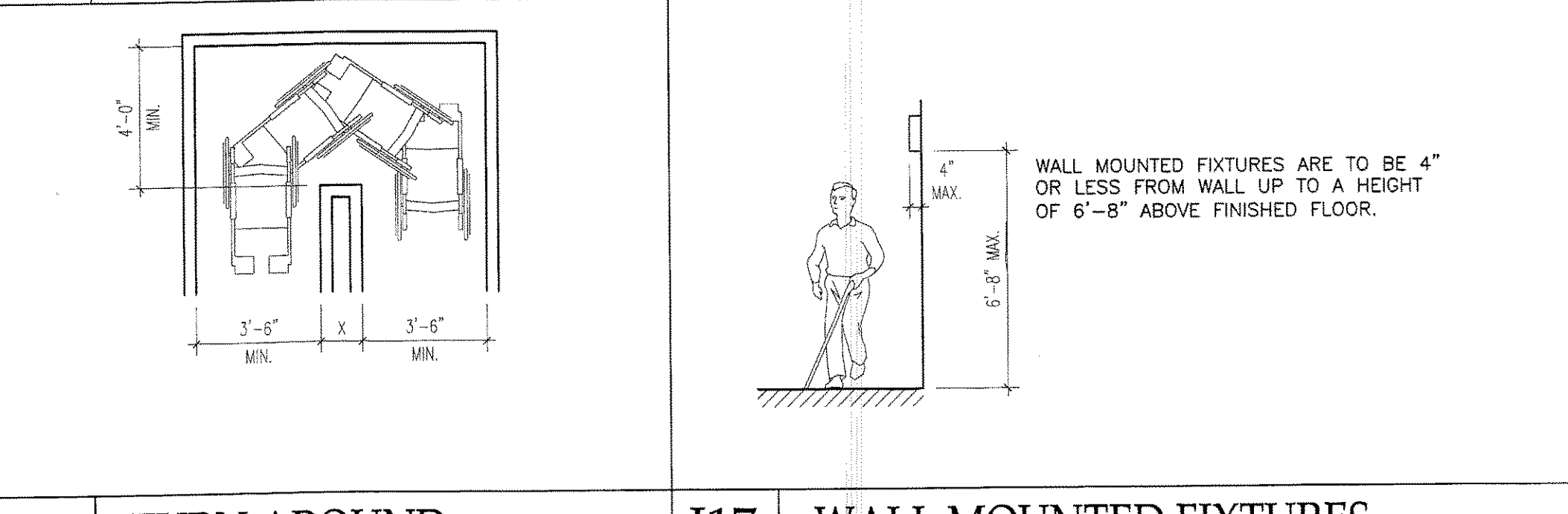


A17 TWO HINGED DOORS IN SERIES

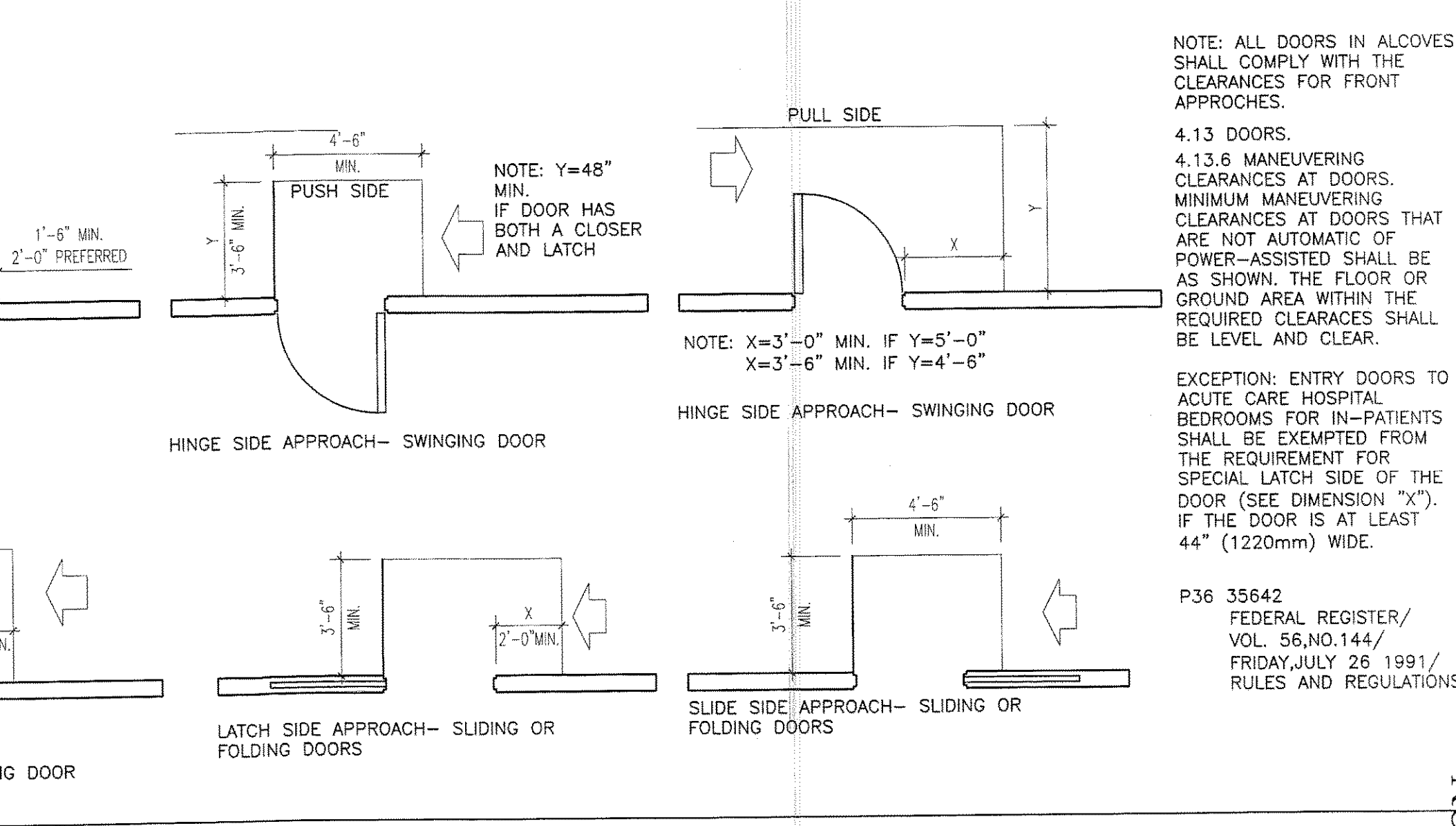
M14 TURNING SPACE



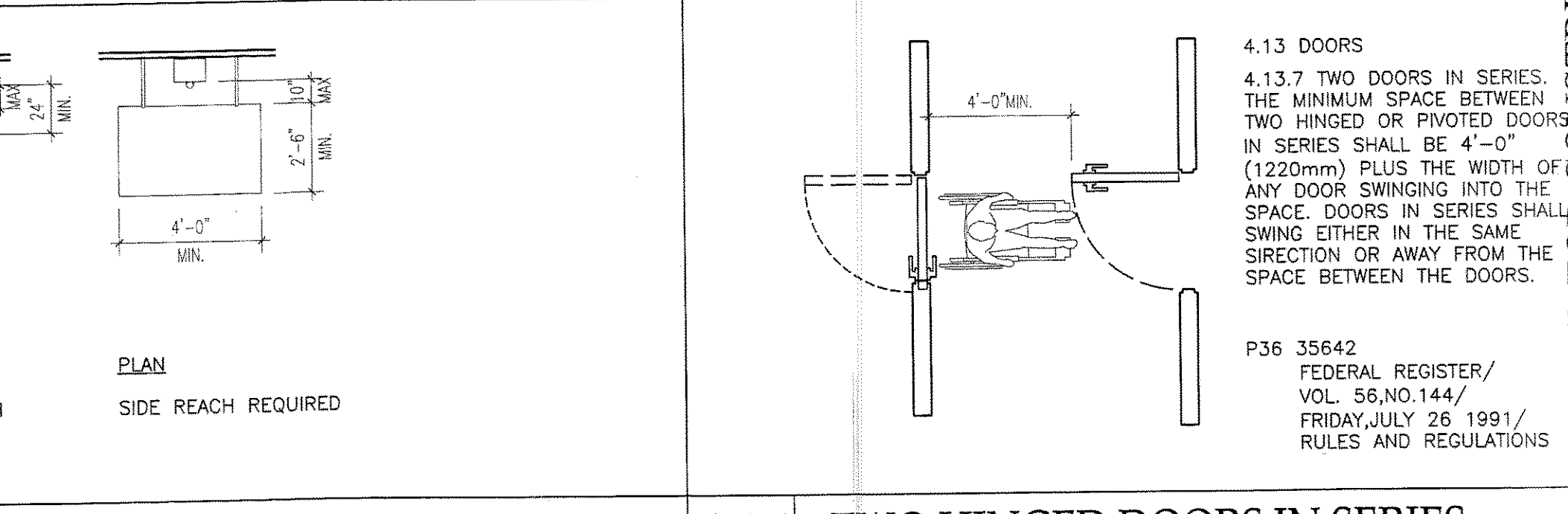
M17 CANE CLEARANCES



J14 TURN AROUND



J17 WALL MOUNTED FIXTURES



A17 TWO HINGED DOORS IN SERIES



RE-ISSUED FOR CONSTRUCTION