

GAWRON TURGEON ARCHITECTS
 29 Black Point Road
 Scarborough, ME 04074
 www.gawronturgeon.com
 Tel. 207.883.6307
 Fax. 207.883.0361

PRUDENTIAL
 TWO PORTLAND SQUARE FOURTH FLOOR
 PORTLAND, MAINE

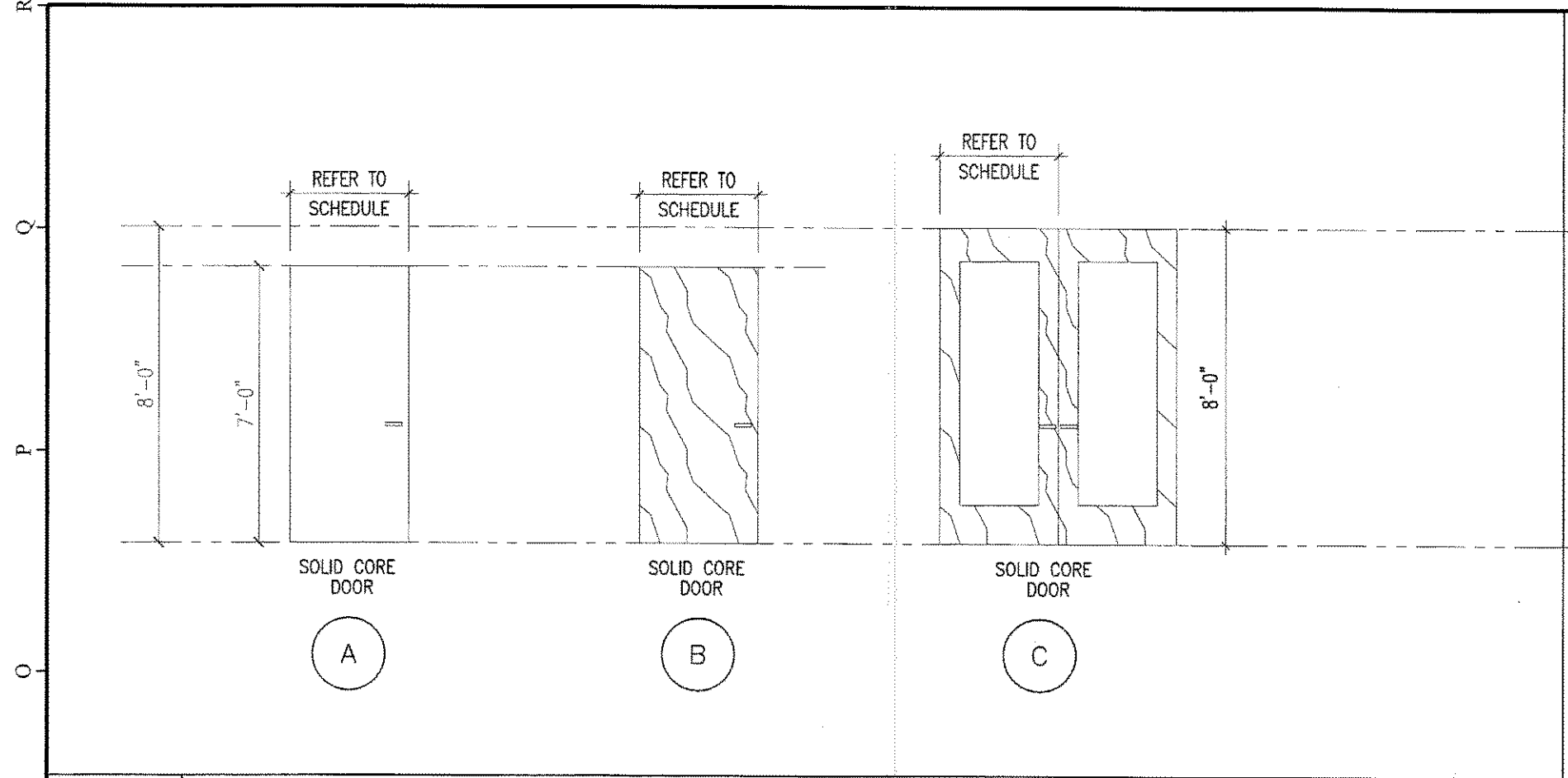
#	DATE	DESCRIPTION
1	02.11.08	RE-ISSUED FOR CONSTRUCTION
2	09.04.08	RE-ISSUED FOR CONSTRUCTION EXPANSION OF PHASE 3

DATE:	09.04.08
PROJECT #	110807
DRAWN BY:	DLP
CHECKED BY:	MET
DRAWING SCALE	AS NOTED

SHEET TITLE
 DOOR SCHEDULE & DETAILS

A800

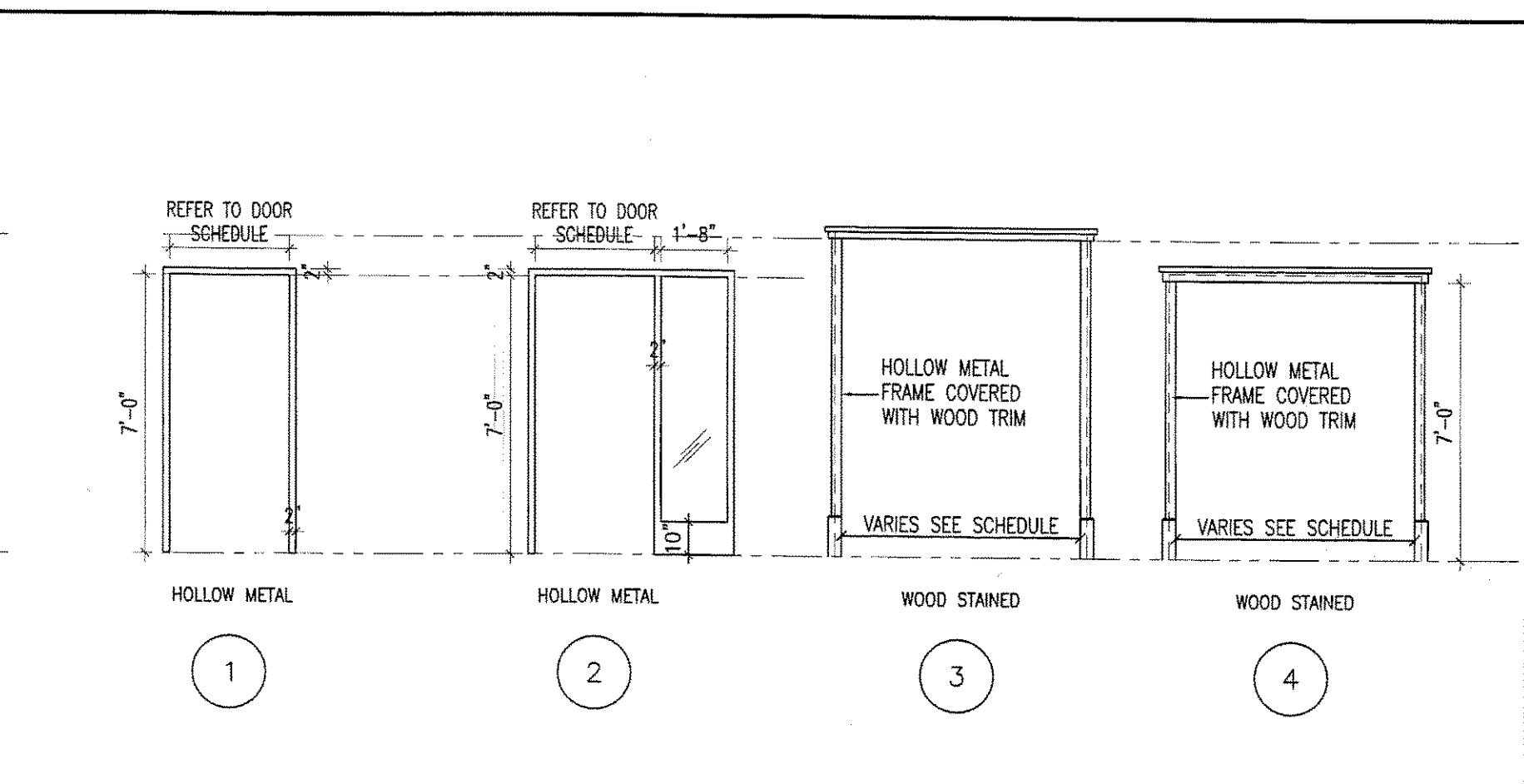
© COPYRIGHT 1985-2003
 REPRODUCTION OR USE OF
 THIS DOCUMENT WITHOUT THE
 WRITTEN PERMISSION OF
 GAWRON ARCHITECTS IS PROHIBITED



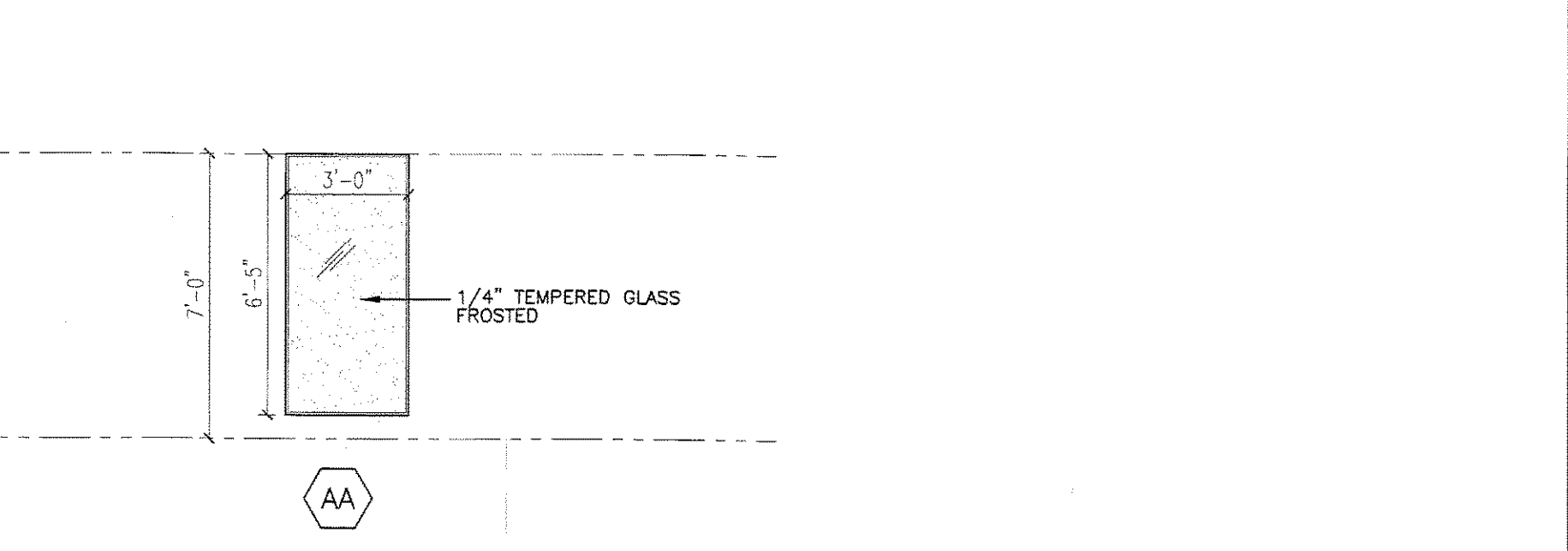
N4 DOOR TYPES
 1/4"=1'-0"

- * EXISTING DOORS - REMOVE EXISTING DOOR HARDWARE SET & INSTALL NEW HARDWARE SET. PATCH, PAINT AND PREPARE FOR NEW HARDWARE
- DOORS TO HAVE CARD READERS
- ALL CARD ACCESS DOORS MUST MEET THE REQUIREMENTS OF THE 2006 NFPA AND 2003 IBC FOR ACCESS CONTROLLED EGRESS DOORS
- HARDWARE FINISH: BRUSHED CHROME
- ALL DOOR FRAMES TO BE PAINTED P1.

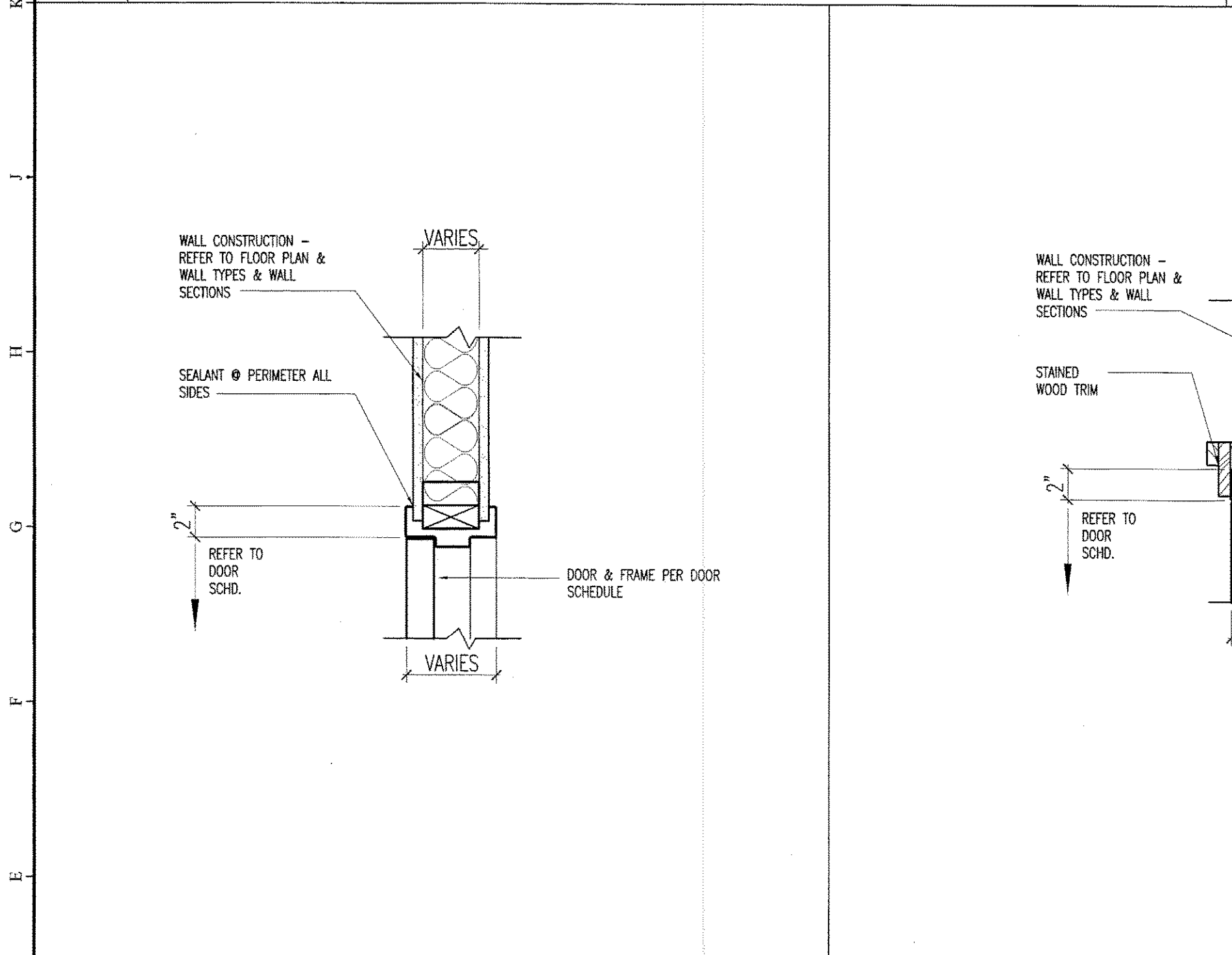
K1 NOTES
 NA



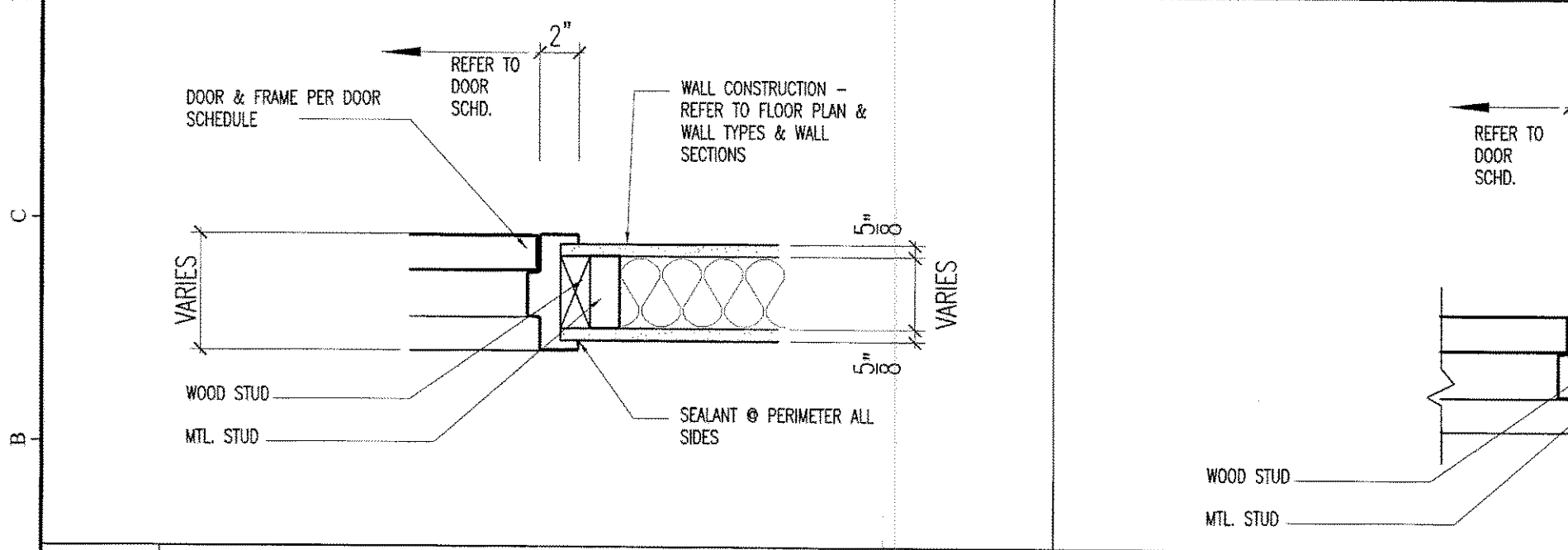
N7 FRAME TYPES
 1/4"=1'-0"



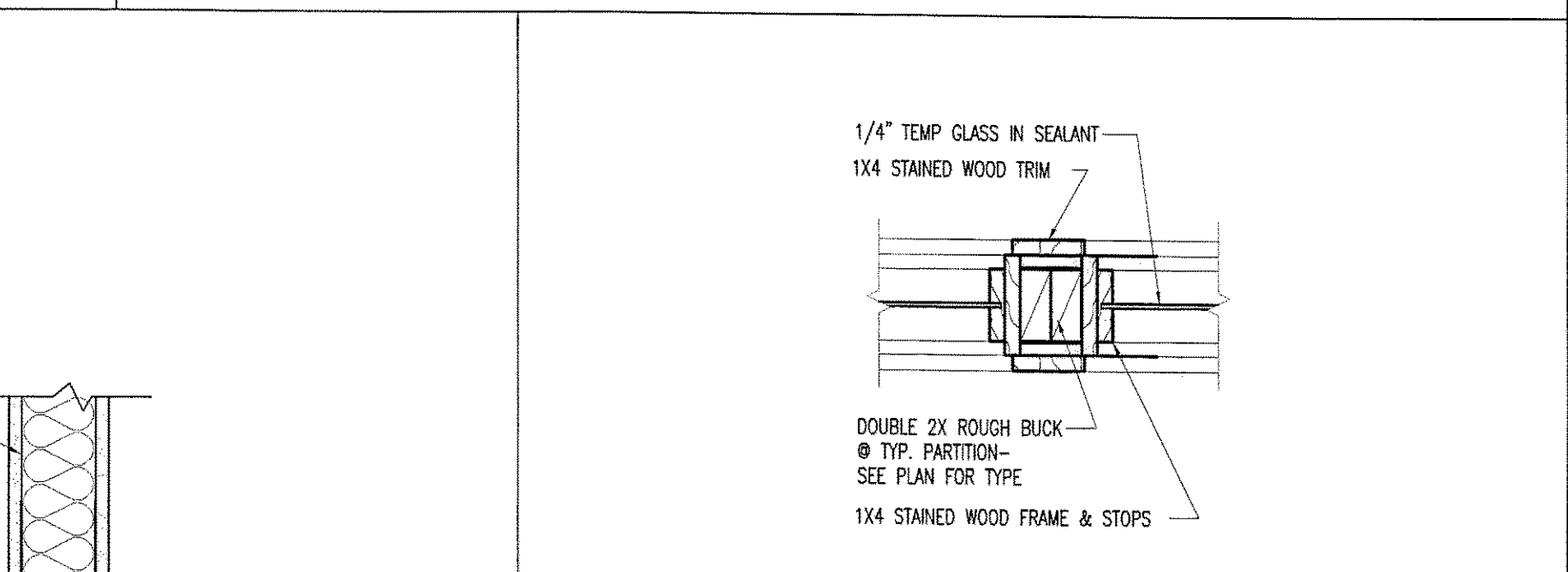
K7 INTERIOR WINDOW TYPES
 1/4"=1'-0"



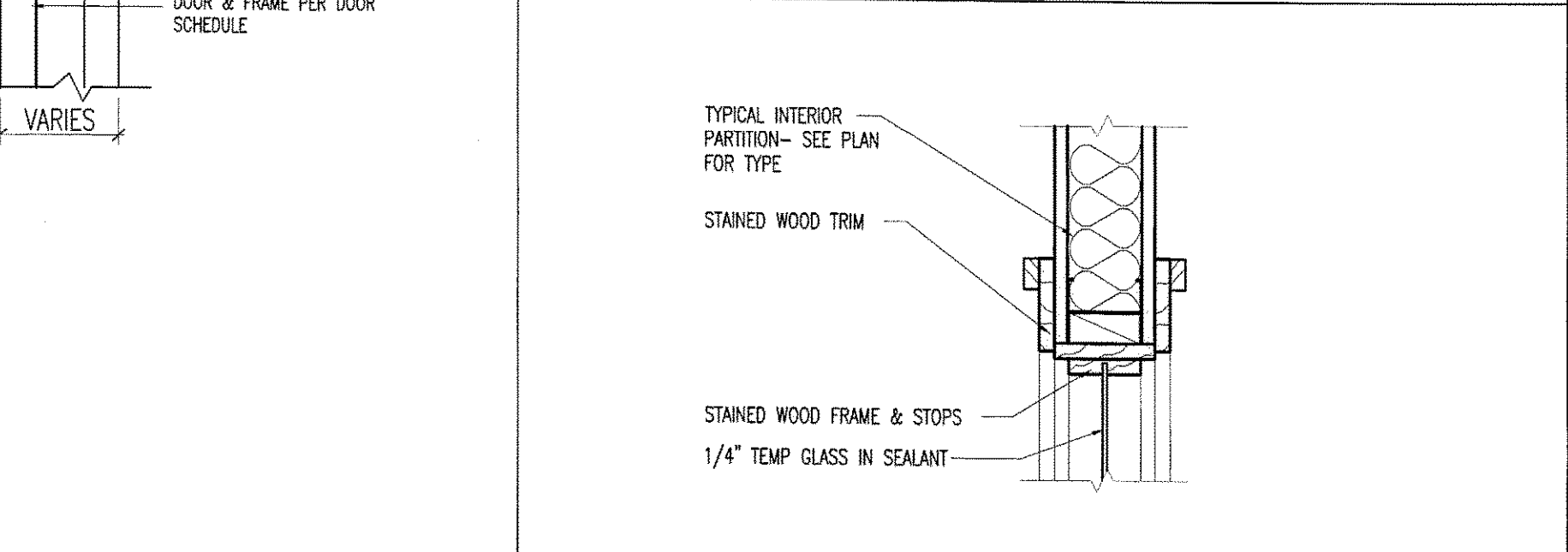
D1 HEAD DETAIL
 1-1/2"=1'-0"



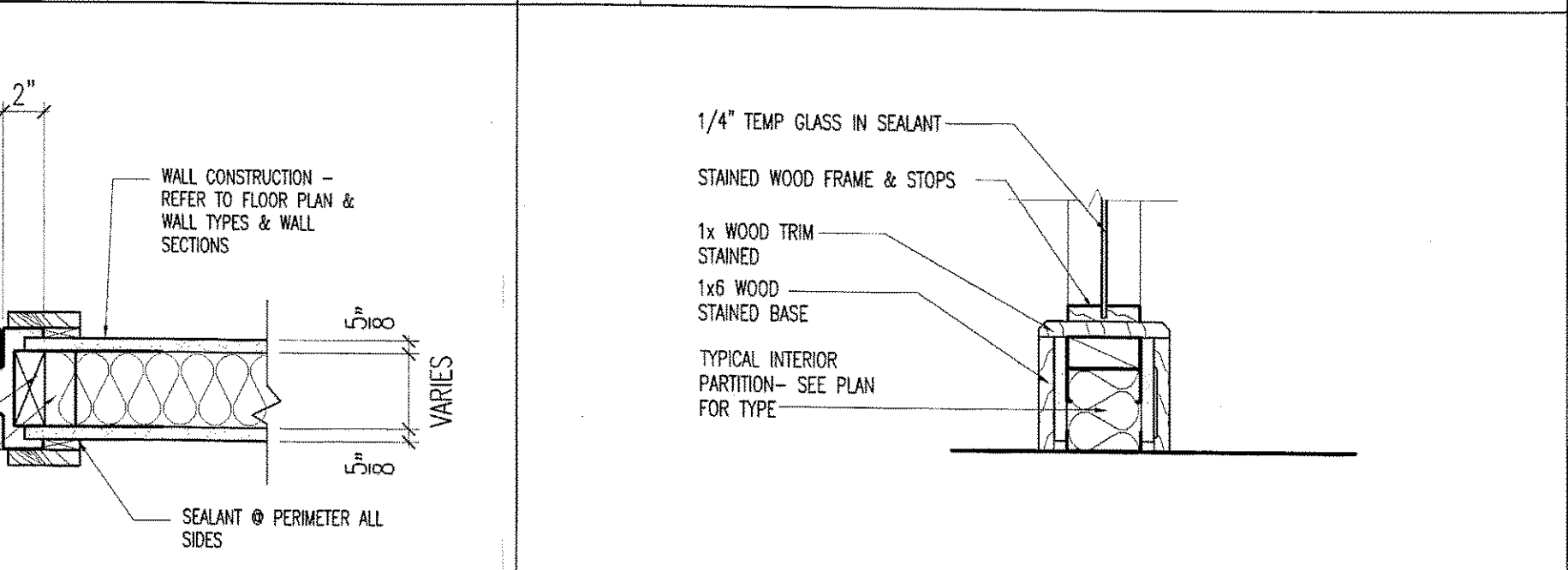
A1 JAMB DETAIL
 1-1/2"=1'-0"



G9 MULLION DETAIL
 1-1/2"=1'-0"



D9 INTERIOR WINDOW HEAD DETAIL
 1-1/2"=1'-0"



A9 INTERIOR WINDOW SILL DETAIL
 1-1/2"=1'-0"

DOOR SCHEDULE		DOOR SCHEDULE ABBREVIATIONS													
NO	TYPE	SIZE	THK	MAT.	FINISH	F.R. LABEL	REMARKS	TYPE	MAT.	DETAILS	FINISH	REMARKS	SILL CONDITION	HDW	DOORS
PRUDENTIAL TOW PORTLAND SQUARE GTA# 110807															
400	NOT USED														400
401	EXISTING														401
402	EXISTING														402
403	EXISTING														403
404	EXISTING														404
405	NOT USED														405
406	EXISTING						provide new panic push bar							HW4	406
407	EXISTING						provide new panic push bar							HW2	407
408	EXISTING													HW4	408
409	EXISTING														409
410	EXISTING														410
411	NOT USED														411
412	A	3'-0" x 7'-0"	1 3/4	WD	P			1	HM	D1/A800	A1/A800	P			HW6 412
413	A	3'-0" x 7'-0"	1 3/4	WD	P			1	HM	D1/A800	A1/A800	P			HW6 413
414	A	3'-0" x 7'-0"	1 3/4	WD	P			1	HM	D1/A800	A1/A800	P			HW5 414
415	EXISTING														HW6 415
416	A	3'-0" x 7'-0"	1 3/4	WD	P			2	HM	D1/A800	A1/A800	P			HW5 416
416A	A	3'-0" x 7'-0"	1 3/4	WD	P			2	HM	D1/A800	A1/A800	P			HW5 416A
417	A	3'-0" x 7'-0"	1 3/4	WD	P			2	HM	D1/A800	A1/A800	P			HW5 417
418	A	3'-0" x 7'-0"	1 3/4	WD	P			2	HM	D1/A800	A1/A800	P			HW5 418
419	A	3'-0" x 7'-0"	1 3/4	WD	P			2	HM	D1/A800	A1/A800	P			HW5 419
420	A	3'-0" x 7'-0"	1 3/4	WD	P			2	HM	D1/A800	A1/A800	P			HW5 420
421	A	3'-0" x 7'-0"	1 3/4	WD	P			1	HM	D1/A800	A1/A800	P			HW6 421
422	B	3'-0" x 7'-0"	1 3/4	WD	S			4	HM/WD	D5/A800	A5/A800	P/S			HW3 422
423	B	3'-0" x 7'-0"	1 3/4	WD	S			4	HM/WD	D5/A800	A5/A800	P/S			HW6 423
424	B	(2) 3'-0" x 7'-0"	1 3/4	WD	S			4	HM/WD	D5/A800	A5/A800	P/S			HW6 424
425	B	3'-0" x 7'-0"	1 3/4	WD	S			4	HM/WD	D5/A800	A5/A800	P/S			HW5 425
425A	B	3'-0" x 7'-0"	1 3/4	WD	S			4	HM/WD	D5/A800	A5/A800	P/S			HW6 425A
426	C	(2) 3'-0" x 8'-0"	1 1/2	WD	S			3	HM/WD	D5/A800	A5/A800	P/S			HW1 426
427	NOT USED														427
428	B	(2) 3'-0" x 7'-0"	1 3/4	WD	S			4	HM/WD	D5/A800	A5/A800	P/S			HW7 428
429	NOT USED														429
430	NOT USED														430
431	NOT USED														431
432	A	3'-0" x 7'-0"	1 3/4	WD	P			2	HM	D1/A800	A1/A800	P			HW6 432
433	A	3'-0" x 7'-0"	1 3/4	WD	P			1	HM	D1/A800	A1/A800	P			HW6 433
433A	A	3'-0" x 7'-0"	1 3/4	WD	P			1	HM	D1/A800	A1/A800	P			HW6 433A
434	A	3'-0" x 7'-0"	1 3/4	WD	P			2	HM	D1/A800	A1/A800	P			HW6 434
435	A	3'-0" x 7'-0"	1 3/4	WD	P			2	HM	D1/A800	A1/A800	P			HW6 435
436	EXISTING														HW5 436
437	EXISTING														HW5 437
438	EXISTING														HW5 438
439	A	3'-0" x 7'-0"	1 3/4	WD	P			2	HM	D1/A800	A1/A800	P			HW5 439
440	NOT USED														440
441	EXISTING														HW2 441
442	A	3'-0" x 7'-0"	1 3/4	WD	P			2	HM	D1/A800	A1/A800	P			HW5 442
443	EXISTING														HW5 443
444	EXISTING														HW5 444
445	A	3'-0" x 7'-0"	1 3/4	WD	P			2	HM	D1/A800	A1/A800	P			HW5 445

A13 DOOR SCHEDULE
 NA CANAL PLAZA

RE-ISSUED FOR CONSTRUCTION