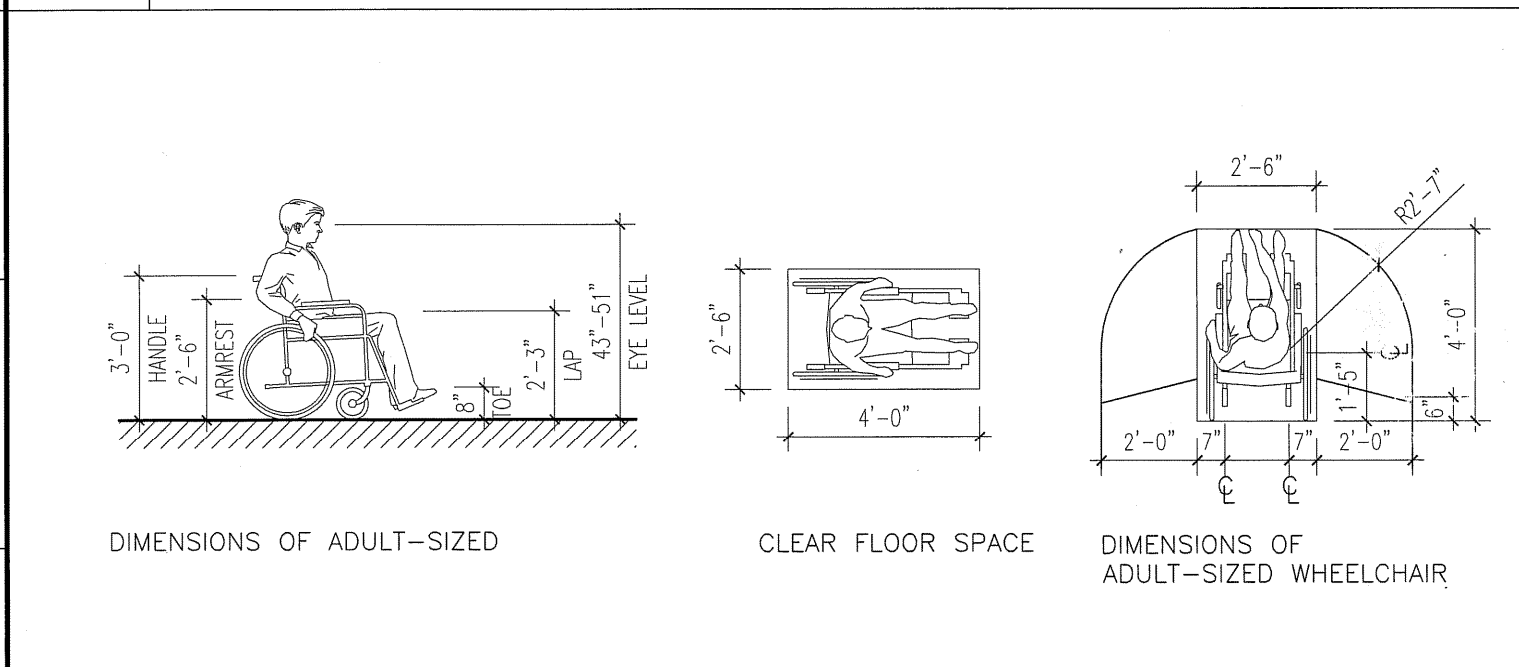
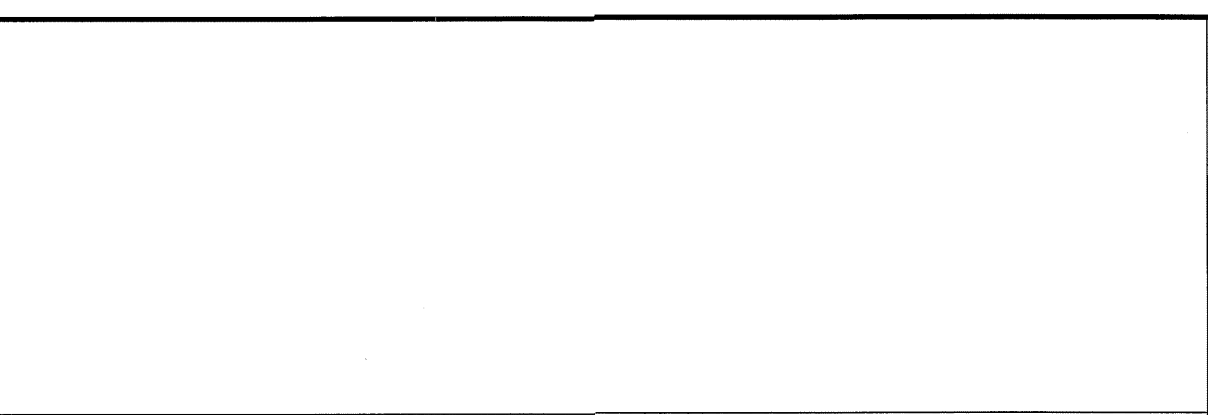


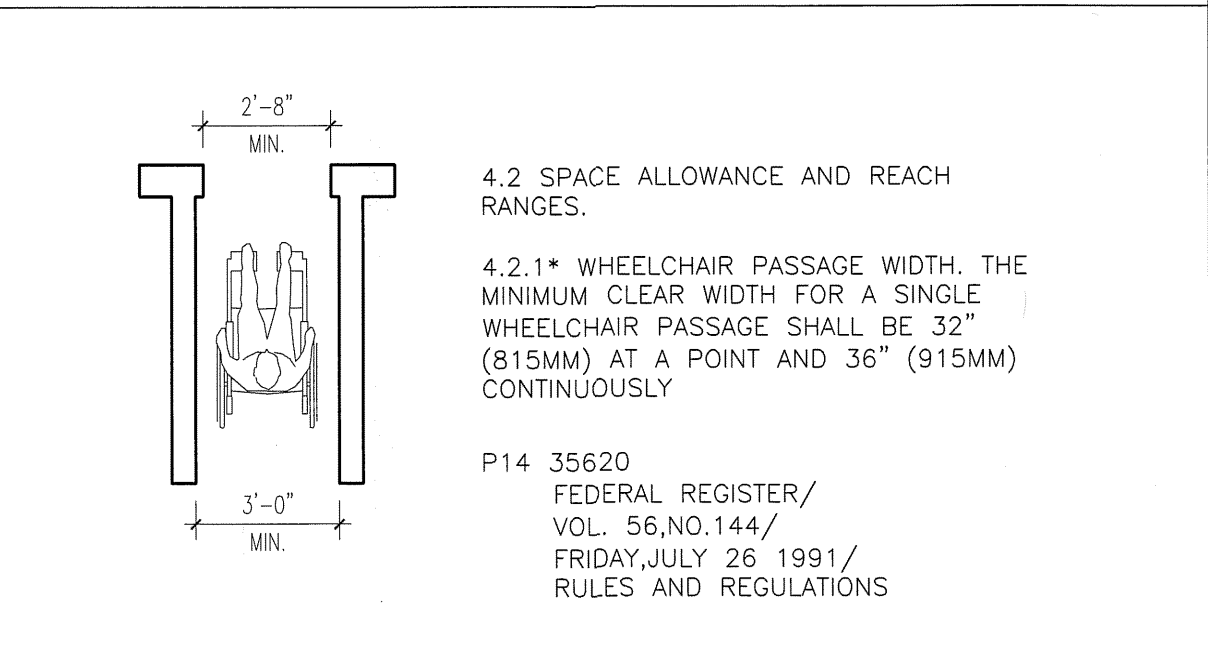
P1 MIN. CHANGES IN LEVEL & DOOR THRESHOLDS
 NTS



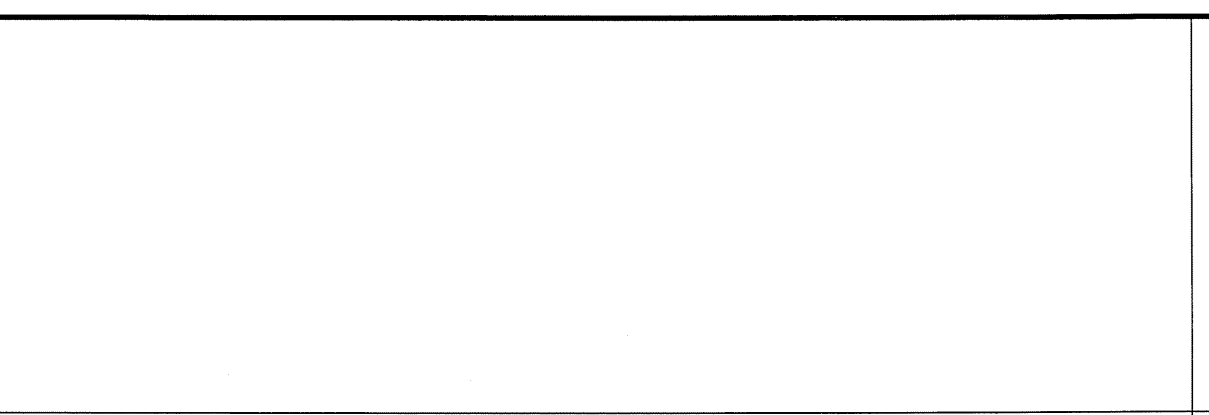
M1 ADULT-SIZED WHEELCHAIR DETAILS
 1/4"=1'-0"



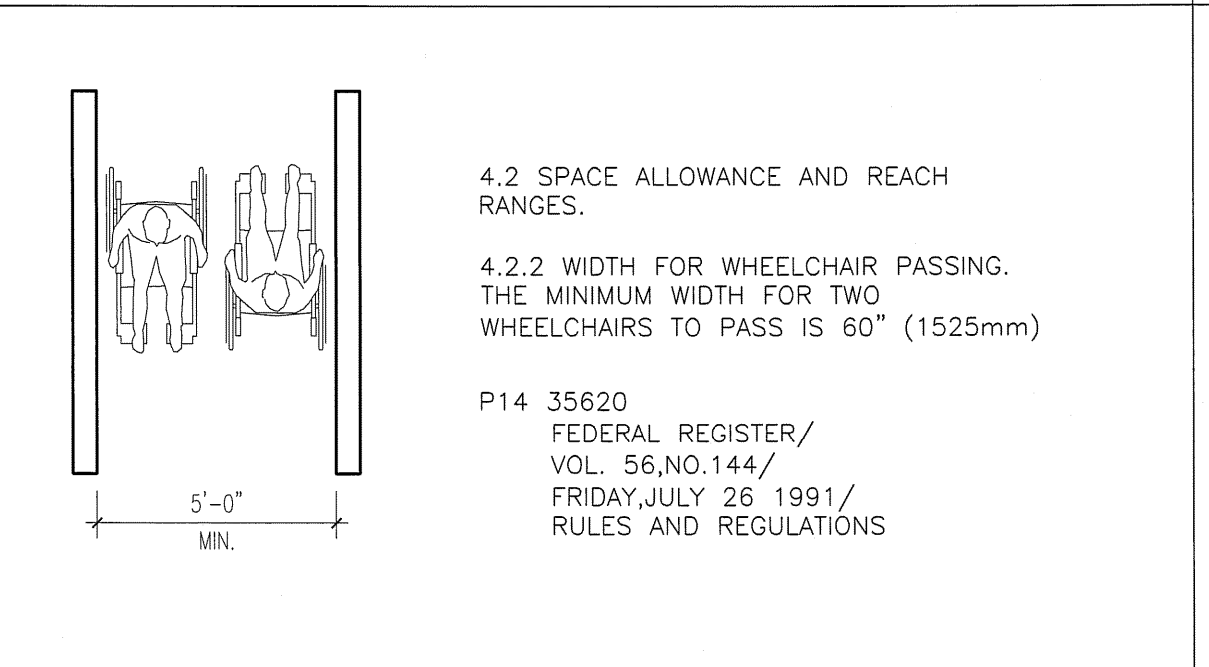
M6 SINGLE WHEELCHAIR
 1/4"=1'-0"



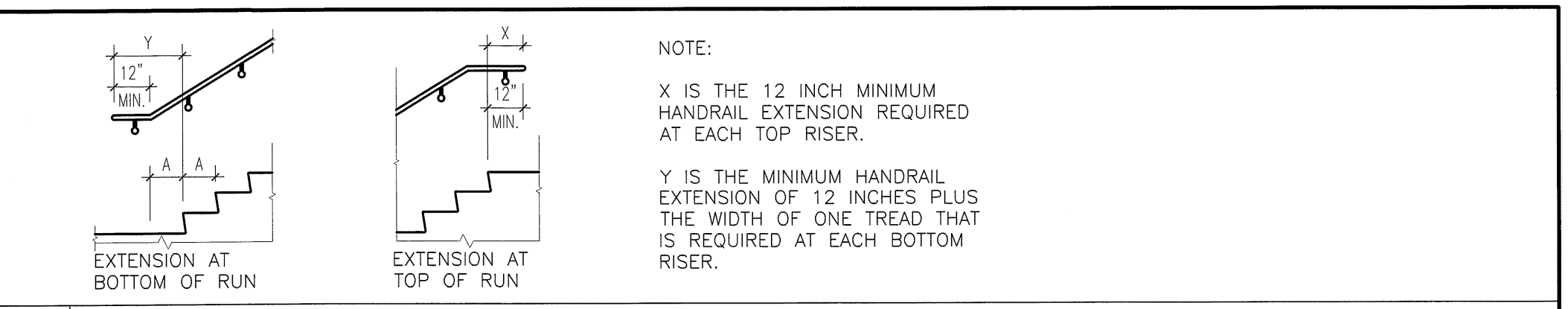
M10 TWO WHEELCHAIR
 1/4"=1'-0"



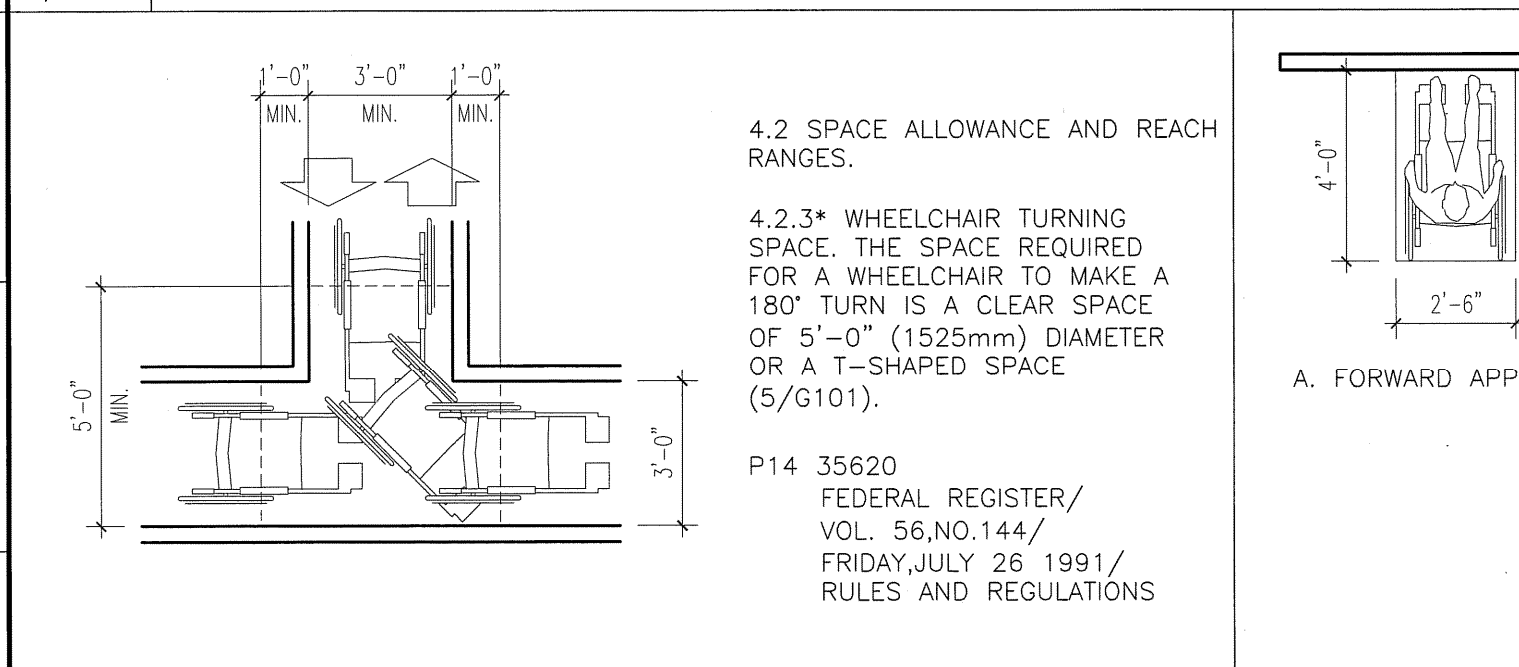
P14 STAIR HANDRAIL EXTENSION
 1/4"=1'-0"



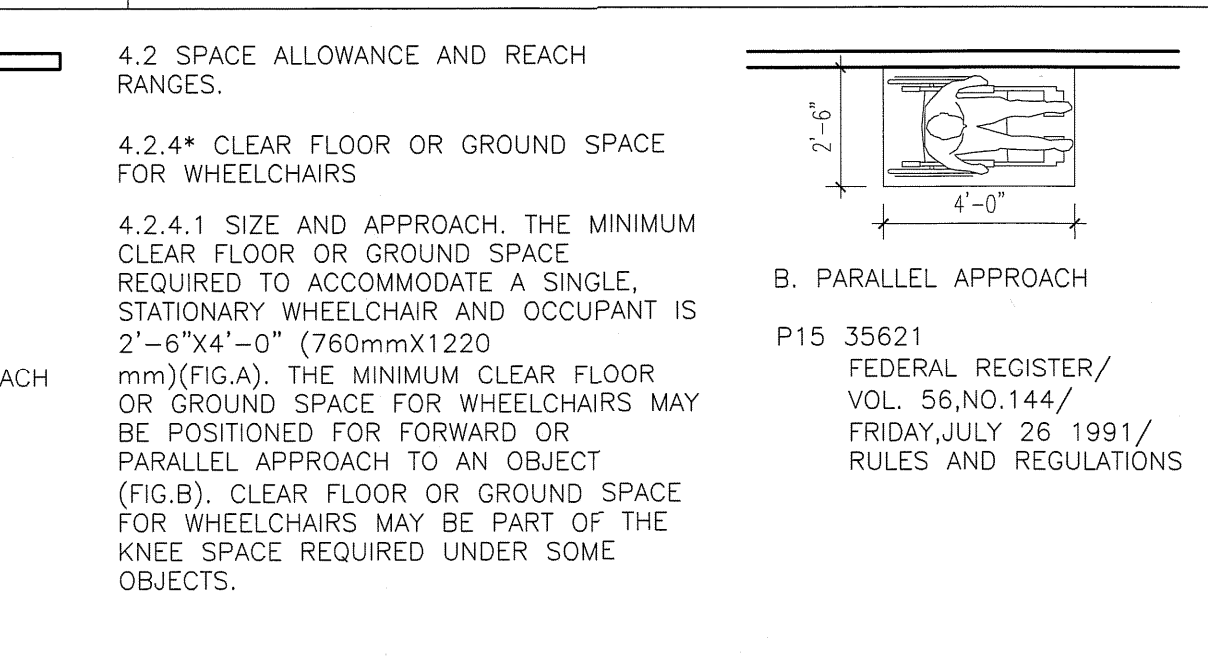
M14 TURNING SPACE
 1/4"=1'-0"



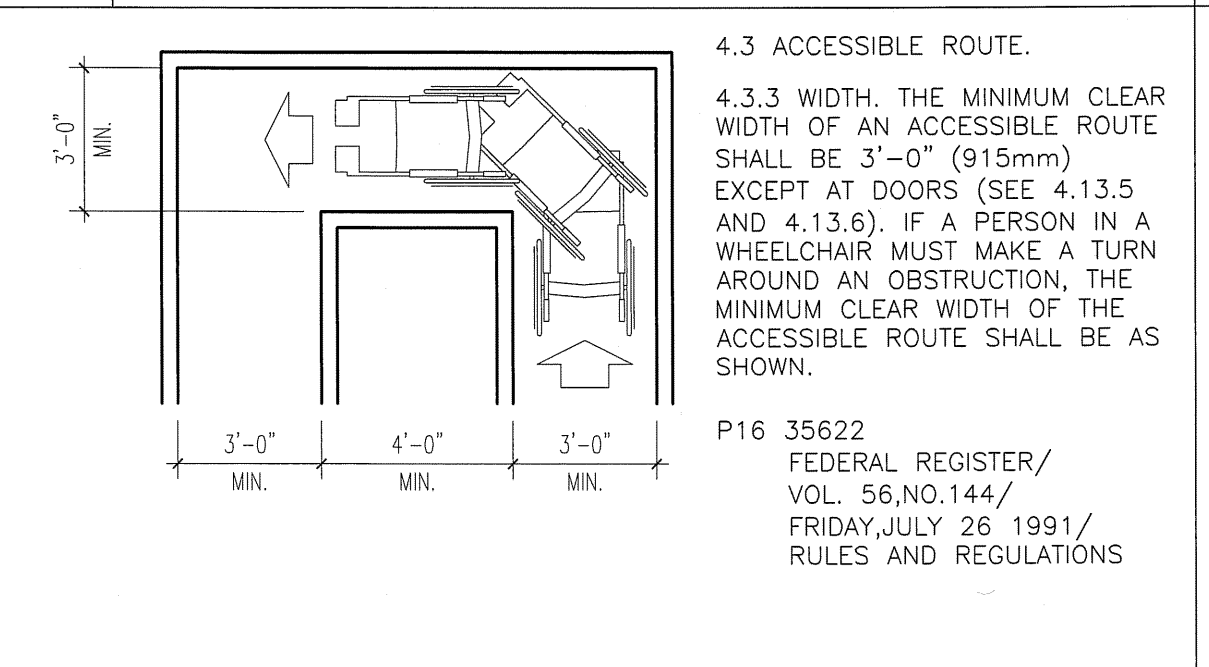
M17 CANE CLEARANCES
 1/4"=1'-0"



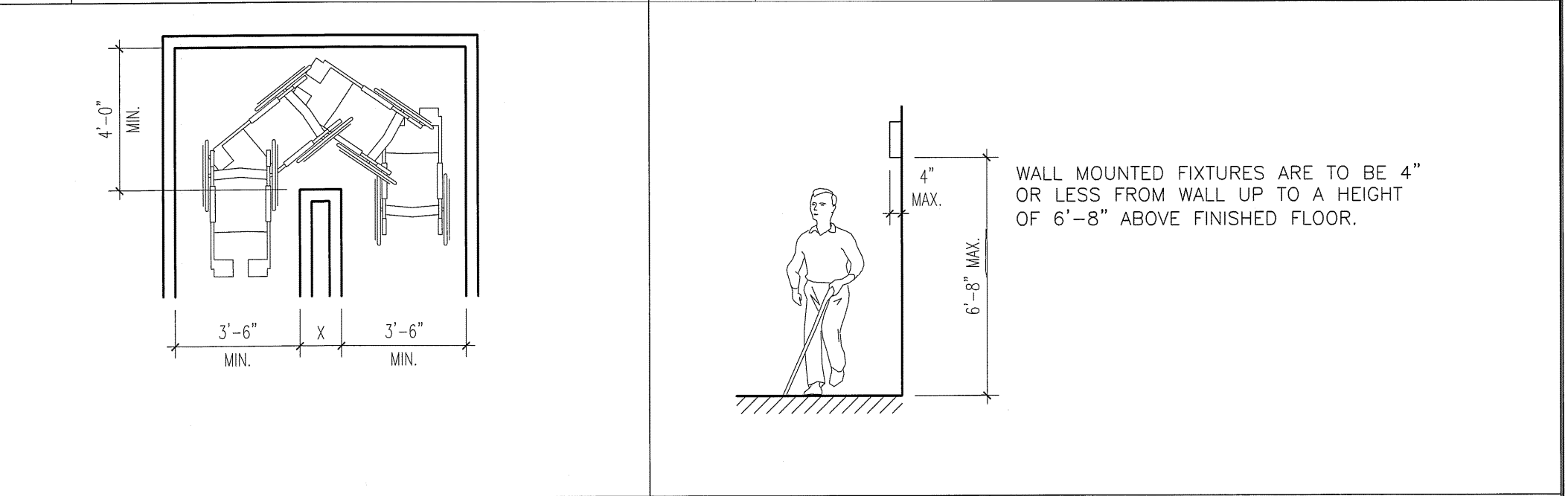
J1 T-SHAPED SPACE FOR 180° TURNS
 1/4"=1'-0"



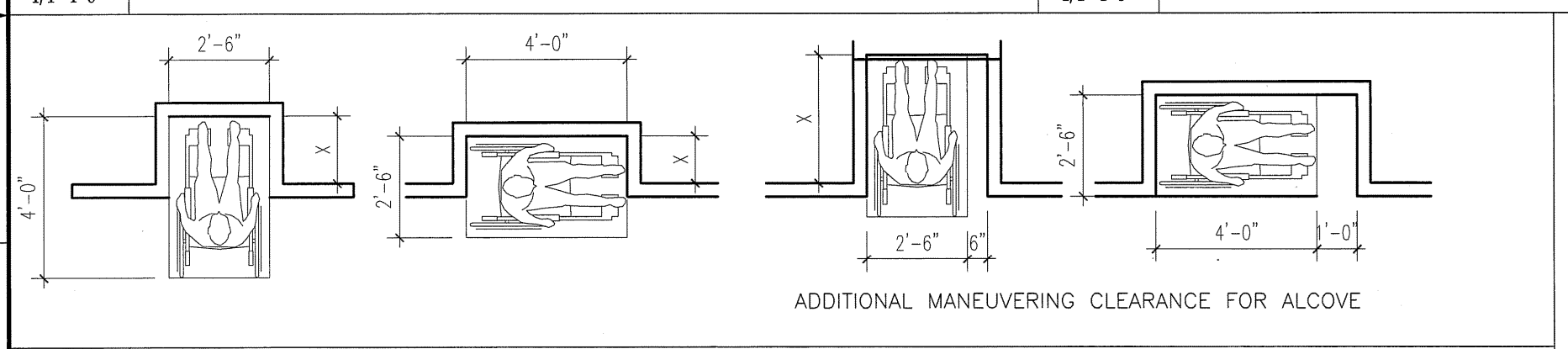
J5 FORWARD AND PARALLEL APPROACHES
 1/4"=1'-0"



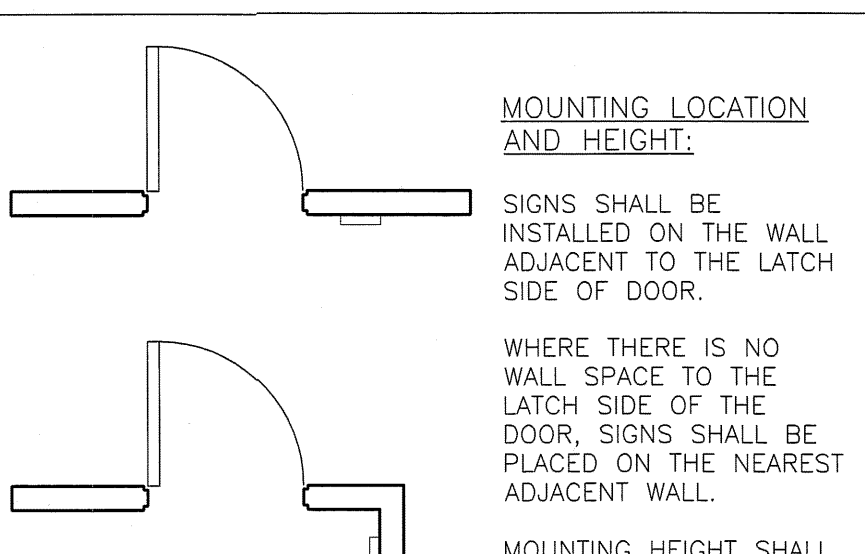
J10 90° TURNS
 1/4"=1'-0"



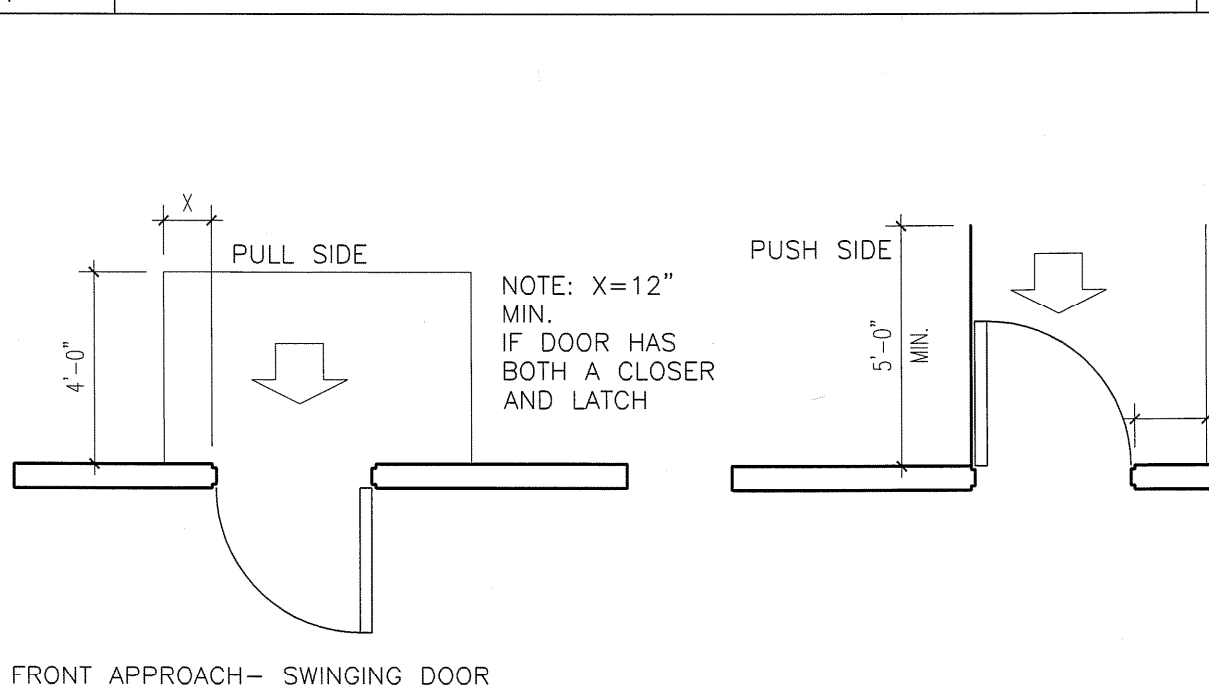
J14 TURN AROUND AND OBSTRUCTIONS
J17 WALL MOUNTED FIXTURES CLEARANCES
 1/4"=1'-0"



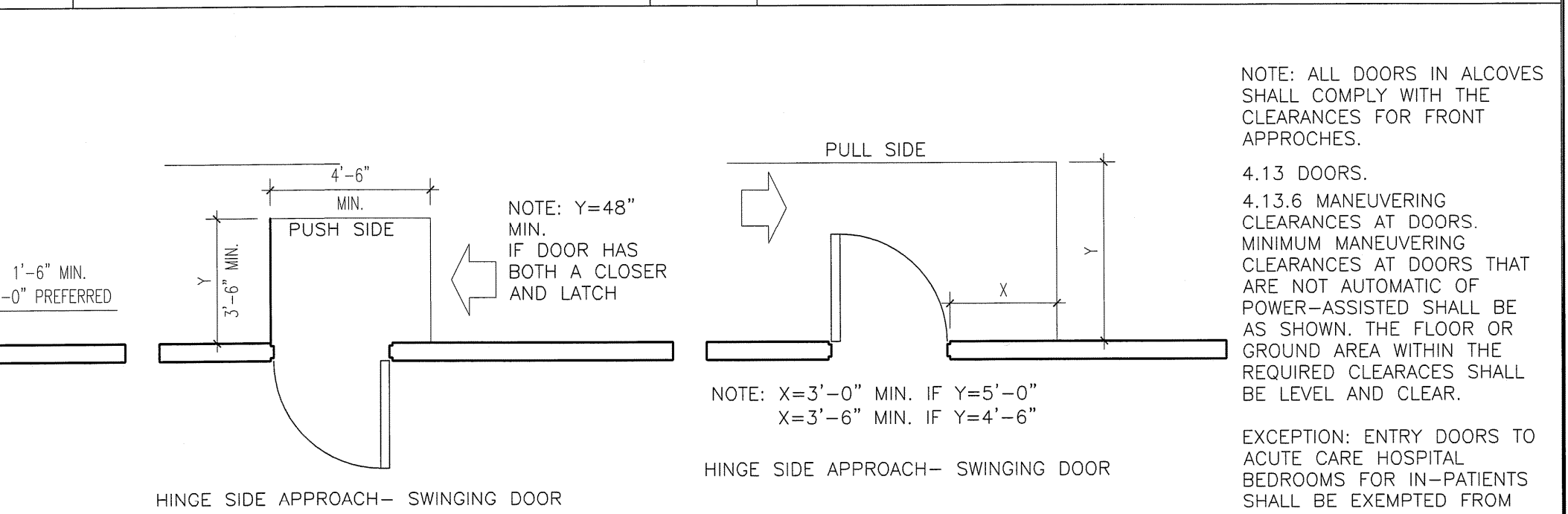
G1 CLEAR FLOOR SPACE IN ALCOVE
 1/4"=1'-0"



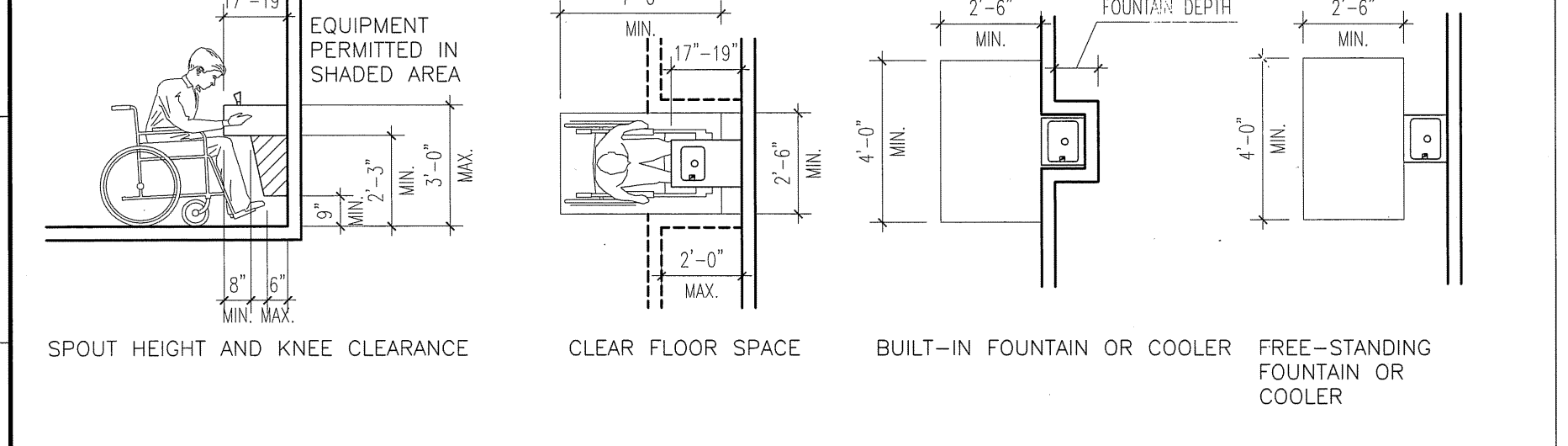
D7 SIGNAGE
 1/4"=1'-0"



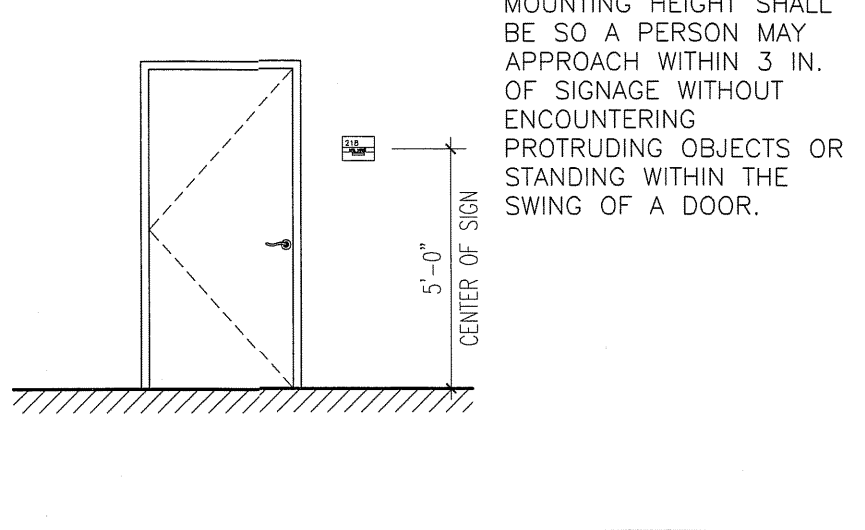
D10 MANEUVERING CLEARANCES AT DOOR
 1/4"=1'-0"



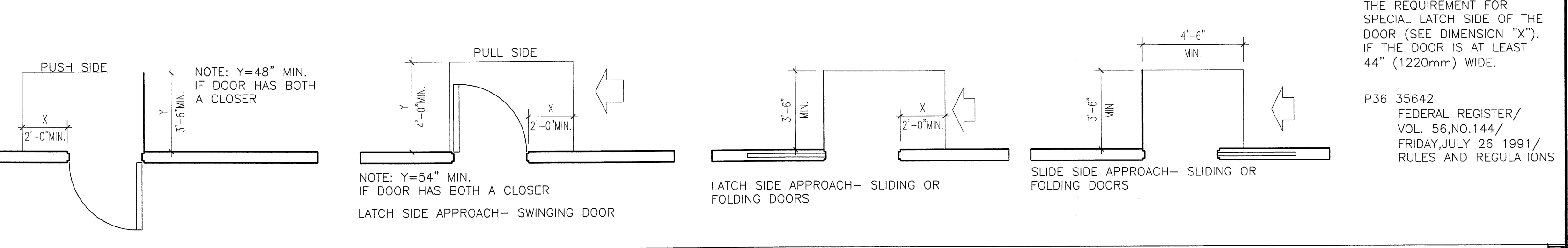
D1 CLEARANCES FOR FOUNTAIN
 1/4"=1'-0"



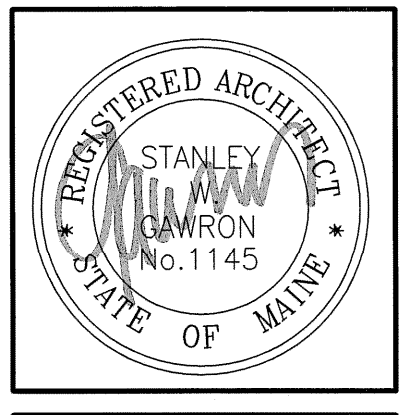
A1 CLEARANCES FOR BATHROOMS AND MISCELLANEOUS ITEMS
 1/4"=1'-0"



A9 CLEARANCES FOR TELEPHONE
 1/4"=1'-0"



A17 TWO HINGED DOORS IN SERIES
 1/4"=1'-0"



PRUDENTIAL
TWO PORTLAND SQUARE FOURTH FLOOR
PORTLAND, MAINE

REVISIONS	
DATE	DESCRIPTION

DATE:	01-21-08
PROJECT #	110807
DRAWN BY:	DLP
CHECKED BY:	MET
DRAWING SCALE	AS NOTED

SHEET TITLE
 GENERAL ADA STANDARDS

G104

© COPYRIGHT 1985-2003
 REPRODUCTION OR RESALE OF
 THIS DOCUMENT WITHOUT
 THE WRITTEN PERMISSION OF
 GAWRON ARCHITECTS IS PROHIBITED

ISSUED FOR CONSTRUCTION