

GAWRON TURGEON ARCHITECTS
 29 Black Point Road
 Scarborough, ME 04074
 www.gawronturgeon.com
 Tel. 207-883-6307
 Fax. 207-883-0361

PRUDENTIAL
 TWO PORTLAND SQUARE FOURTH FLOOR
 PORTLAND, MAINE

REVISIONS	
#	DESCRIPTION

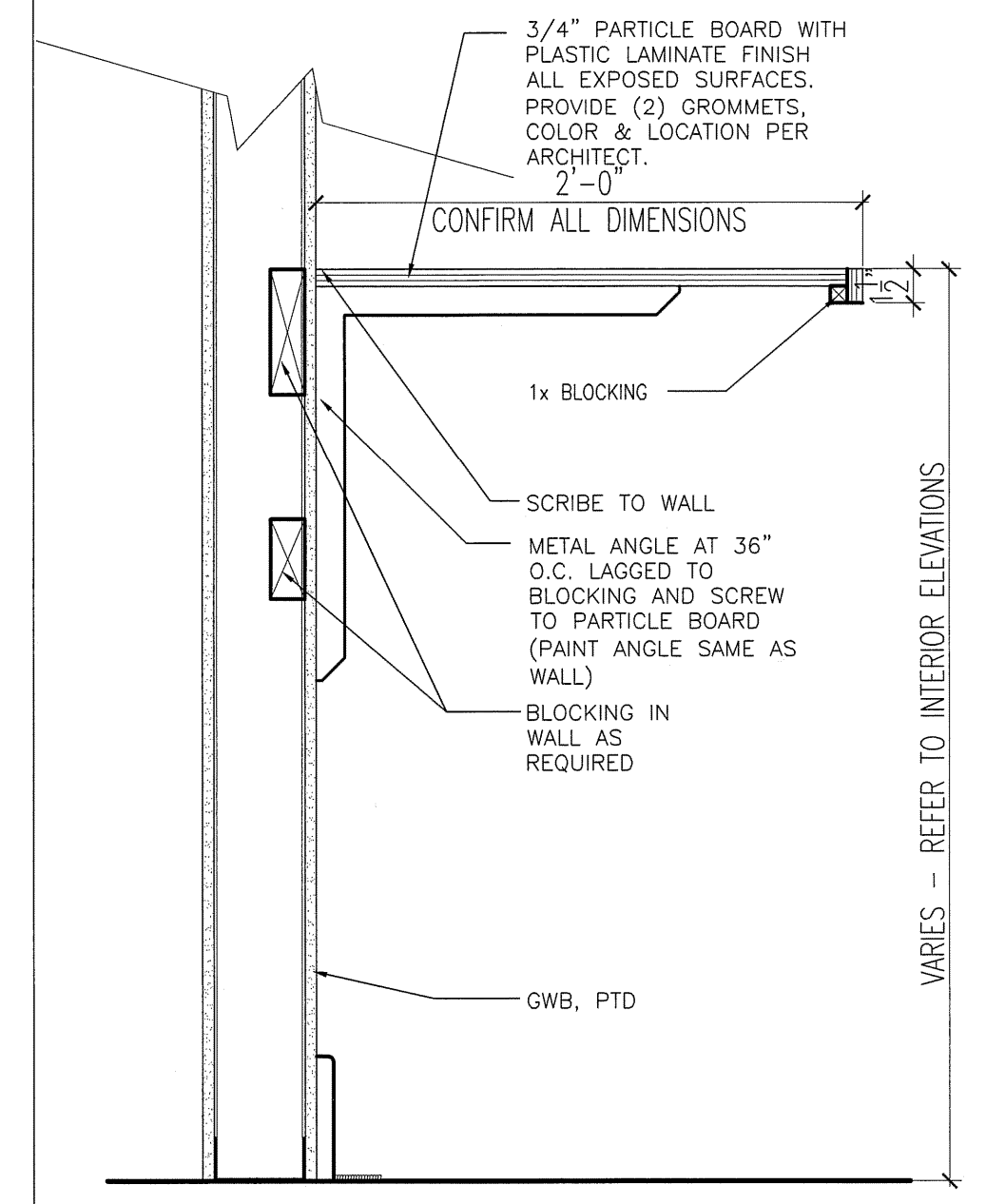
DATE:	01-21-08
PROJECT #:	110807
DRAWN BY:	DLP
CHECKED BY:	MET
DRAWING SCALE:	AS NOTED

SHEET TITLE
 INTERIOR DETAILS

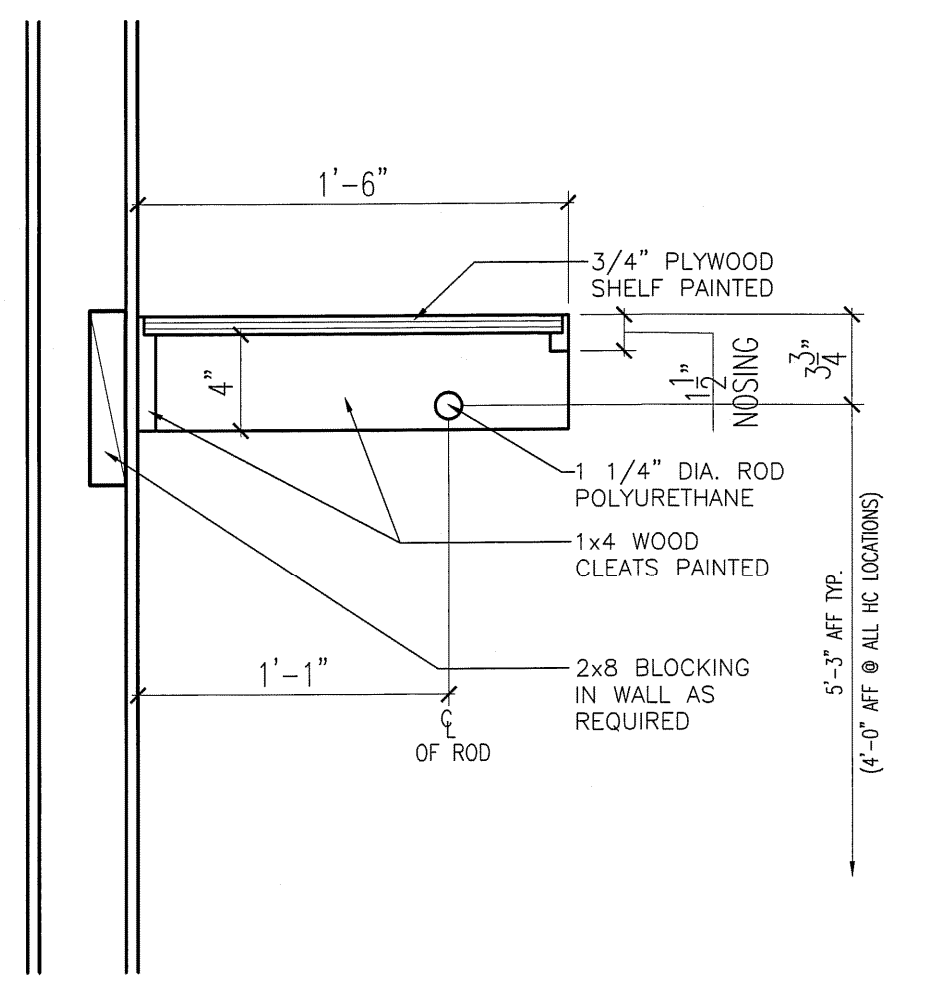
A920

ISSUED FOR CONSTRUCTION

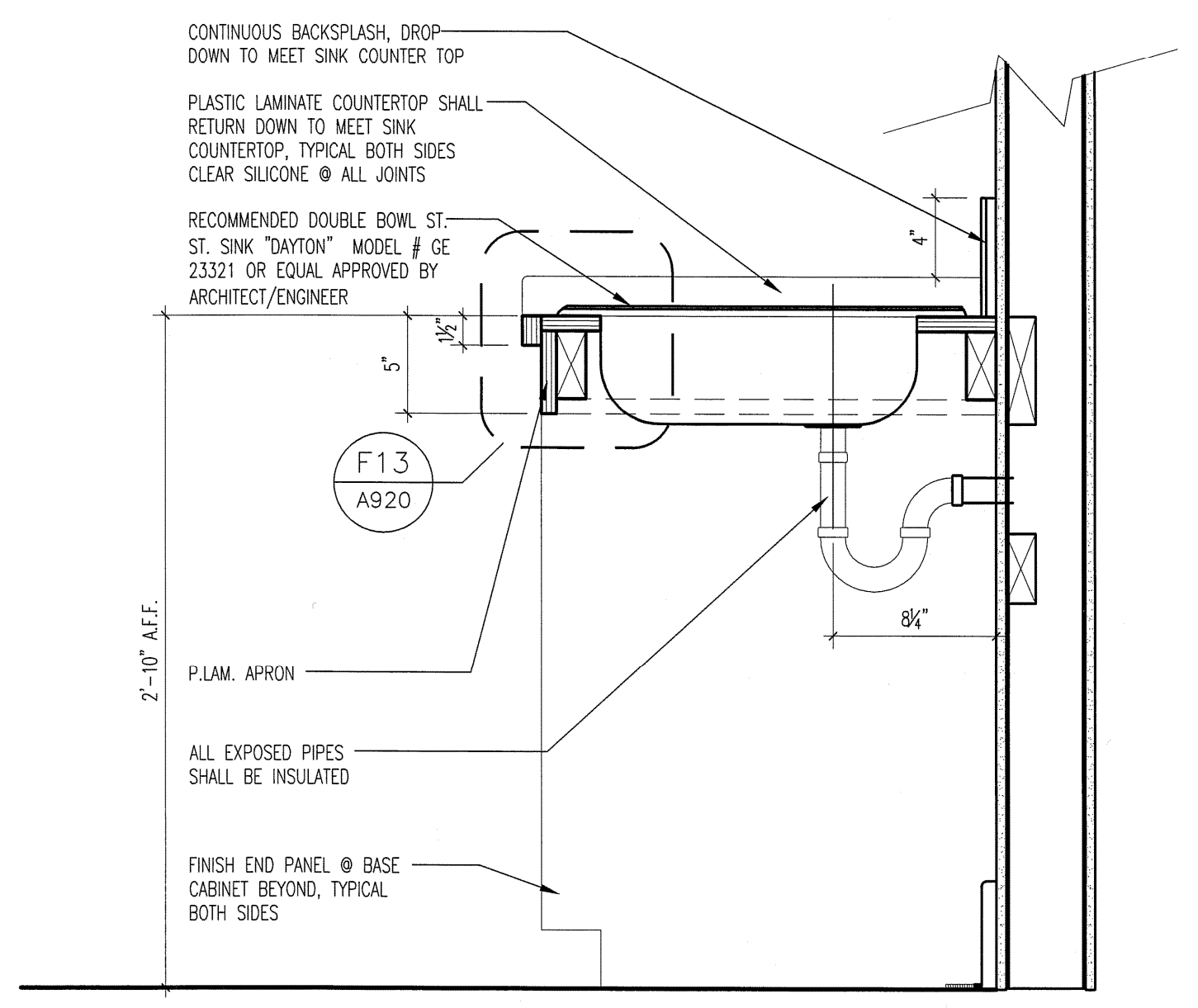
© COPYRIGHT 1985-2003
 REPRODUCTION OR RESALE OF
 THIS DOCUMENT WITHOUT
 WRITTEN PERMISSION OF
 GAWRON ARCHITECTS IS PROHIBITED



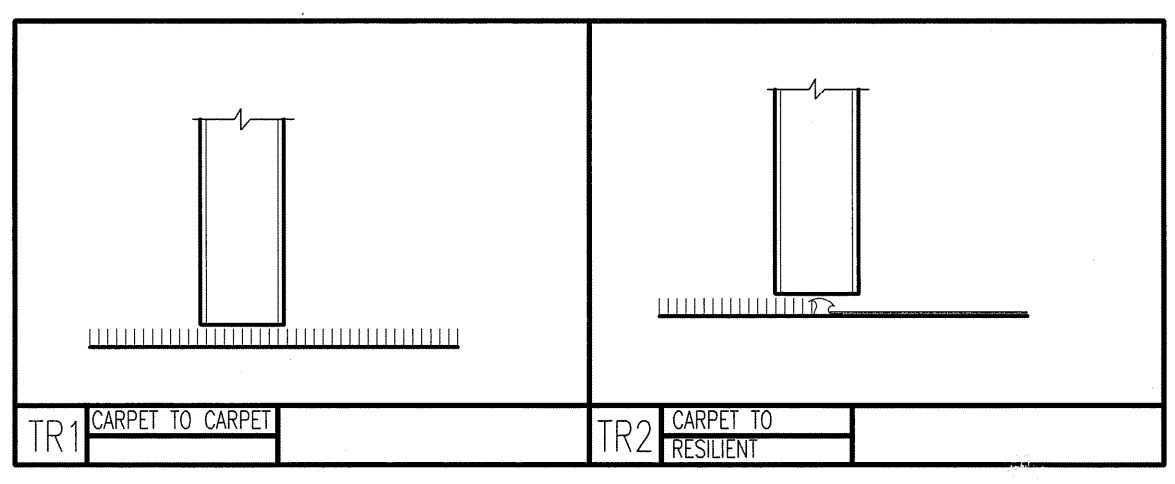
L15 SECTION THRU LAMINATE COUNTER
 1 1/2"=1'-0"



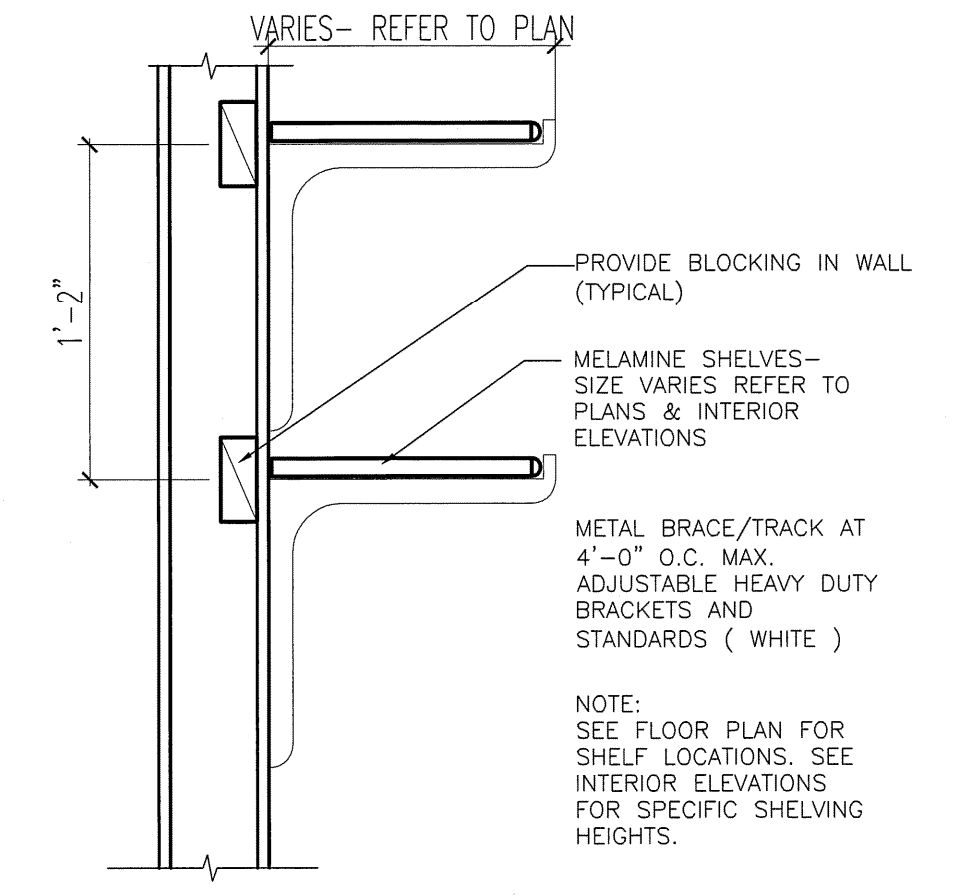
L13 CLOSET ROD & SHELF DETAIL
 1 1/2"=1'-0"



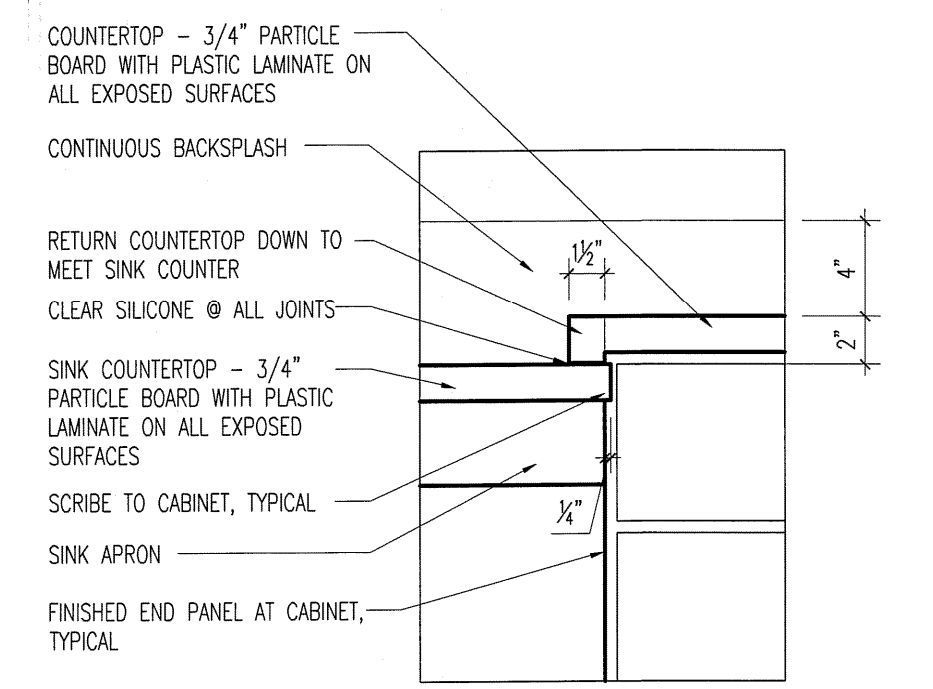
L8 SECTION THRU ADA SINK
 1 1/2"=1'-0"



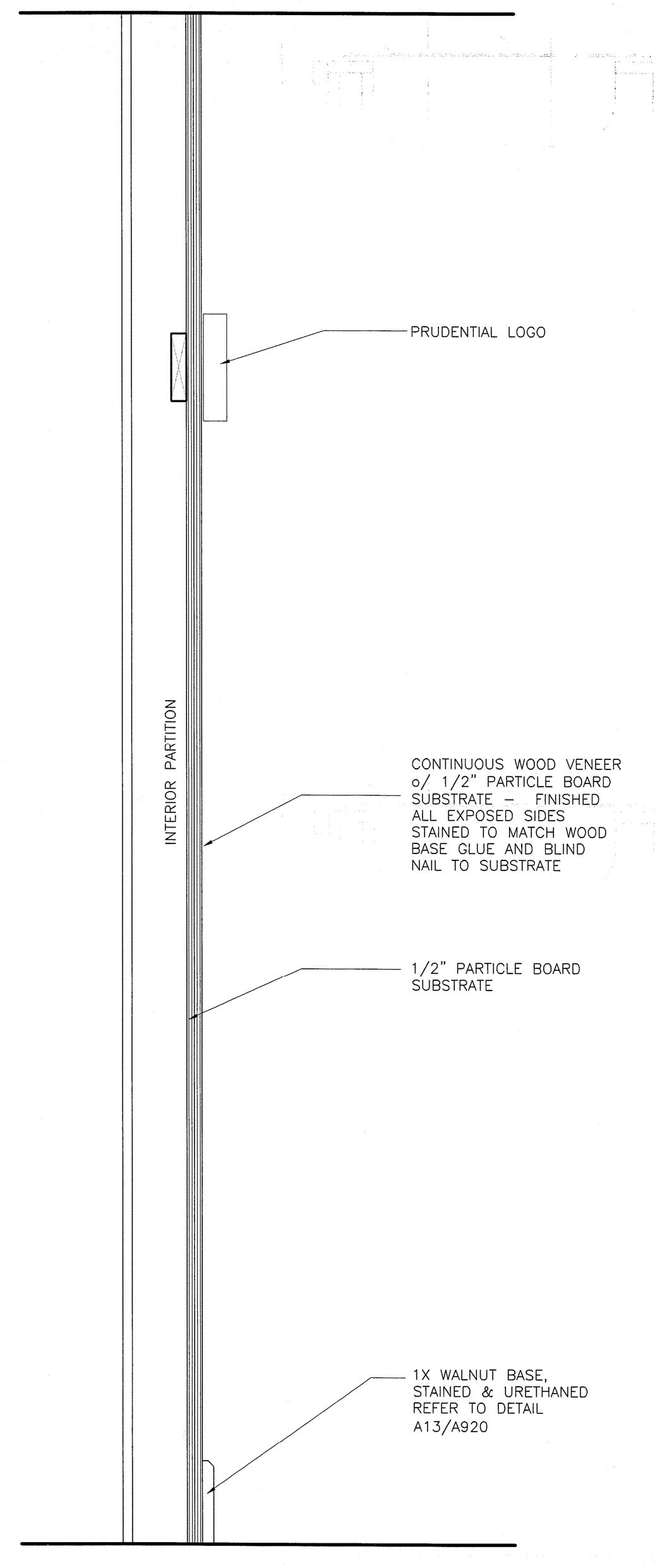
L1 TRANSITION DETAILS
 3"=1'-0"



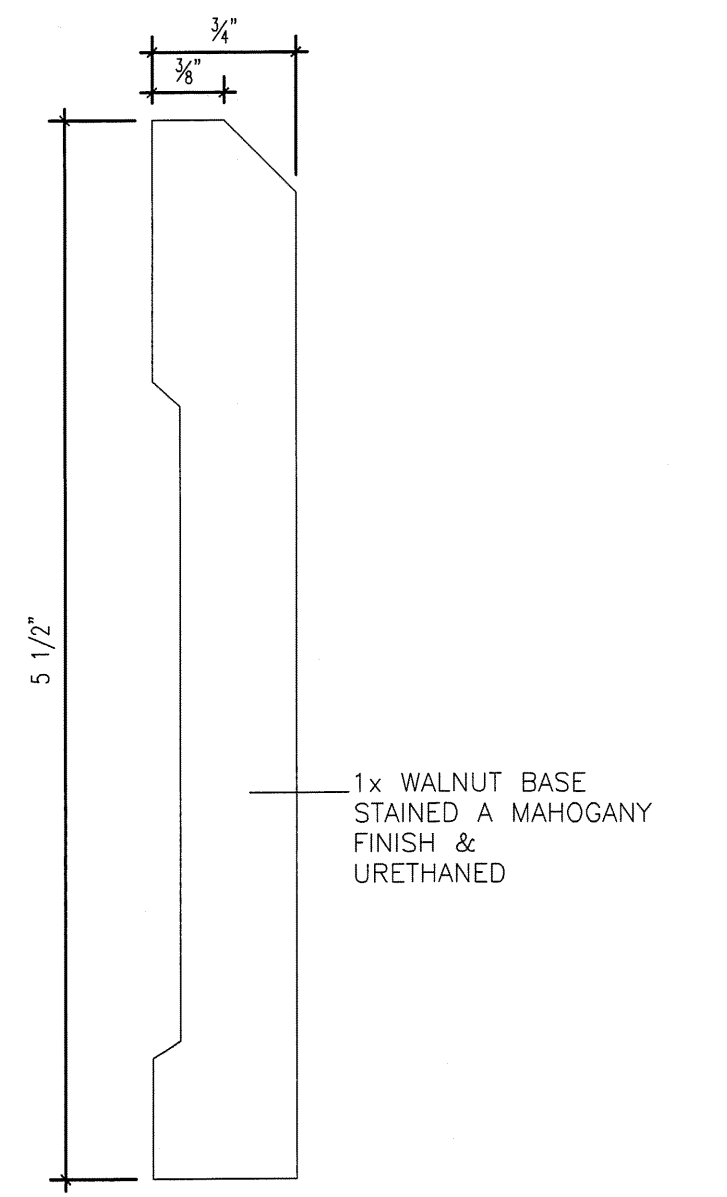
F17 ADJ. SHELVING DETAIL
 1 1/2"=1'-0"



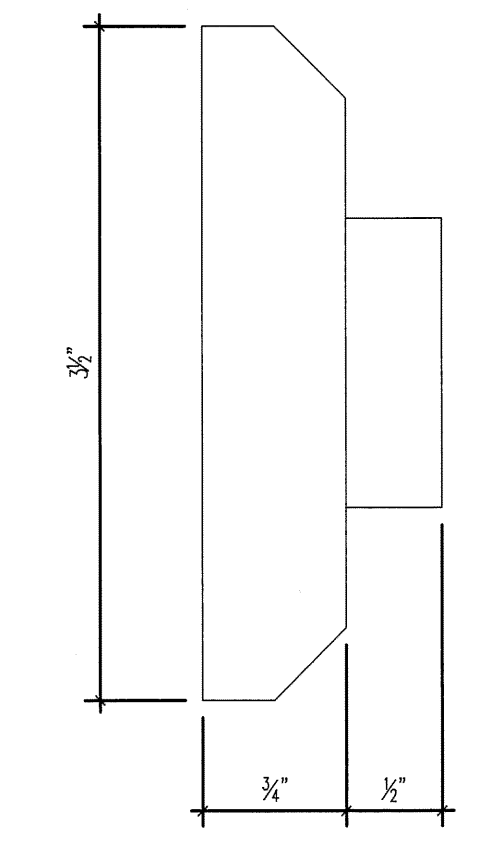
F13 COUNTER DETAIL AT ADA SINK
 1 1/2"=1'-0"



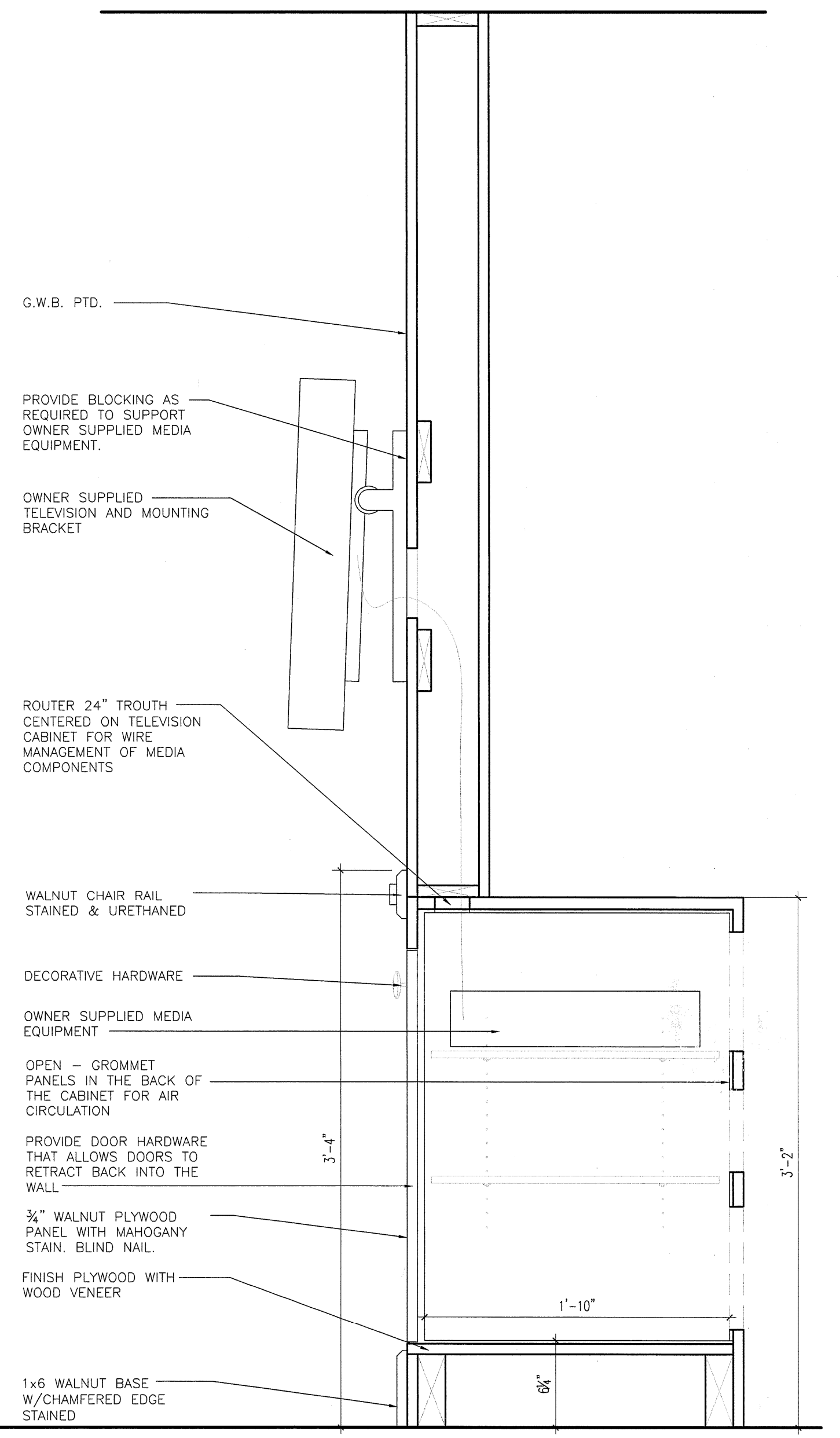
A8 RECEPTION 429 - FEATURE WALL
 1 1/2"=1'-0"



A13 WOOD BASE DETAIL
 FULL SCALE



A17 CHAIR RAIL DETAIL
 FULL SCALE



A1 RECEPTION 429
 1 1/2"=1'-0"

