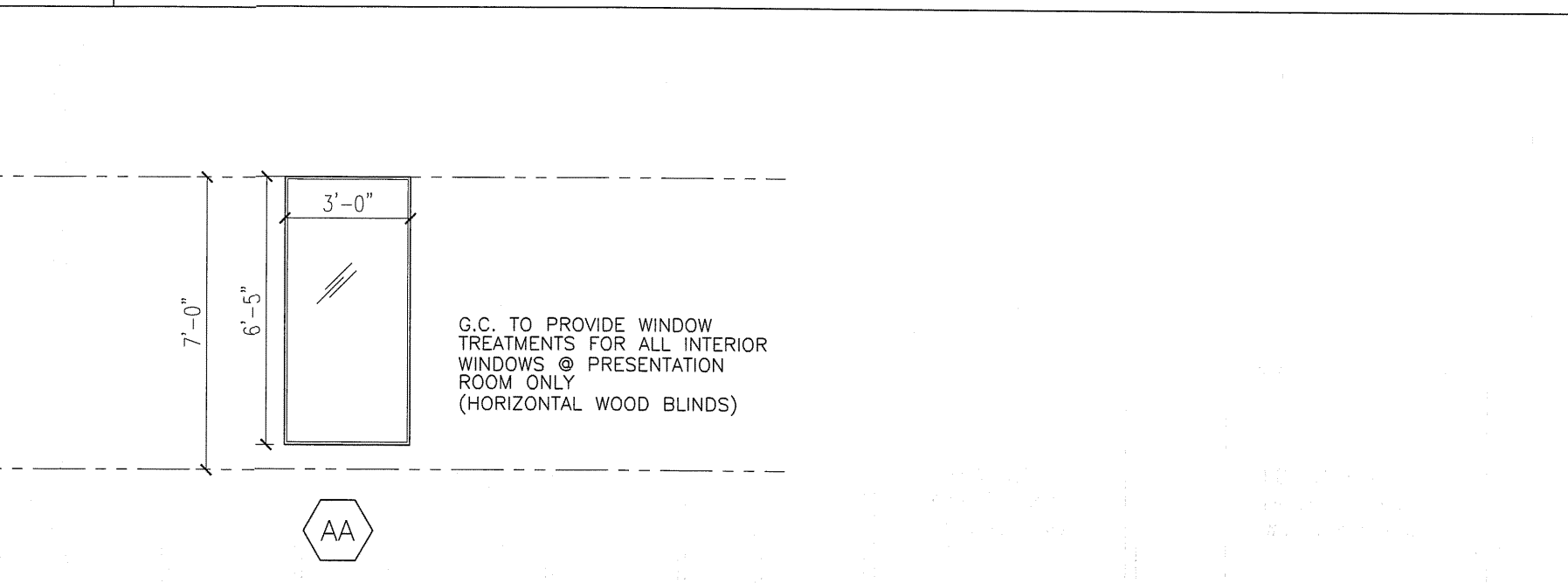


N4 DOOR TYPES
1/4"=1'-0"

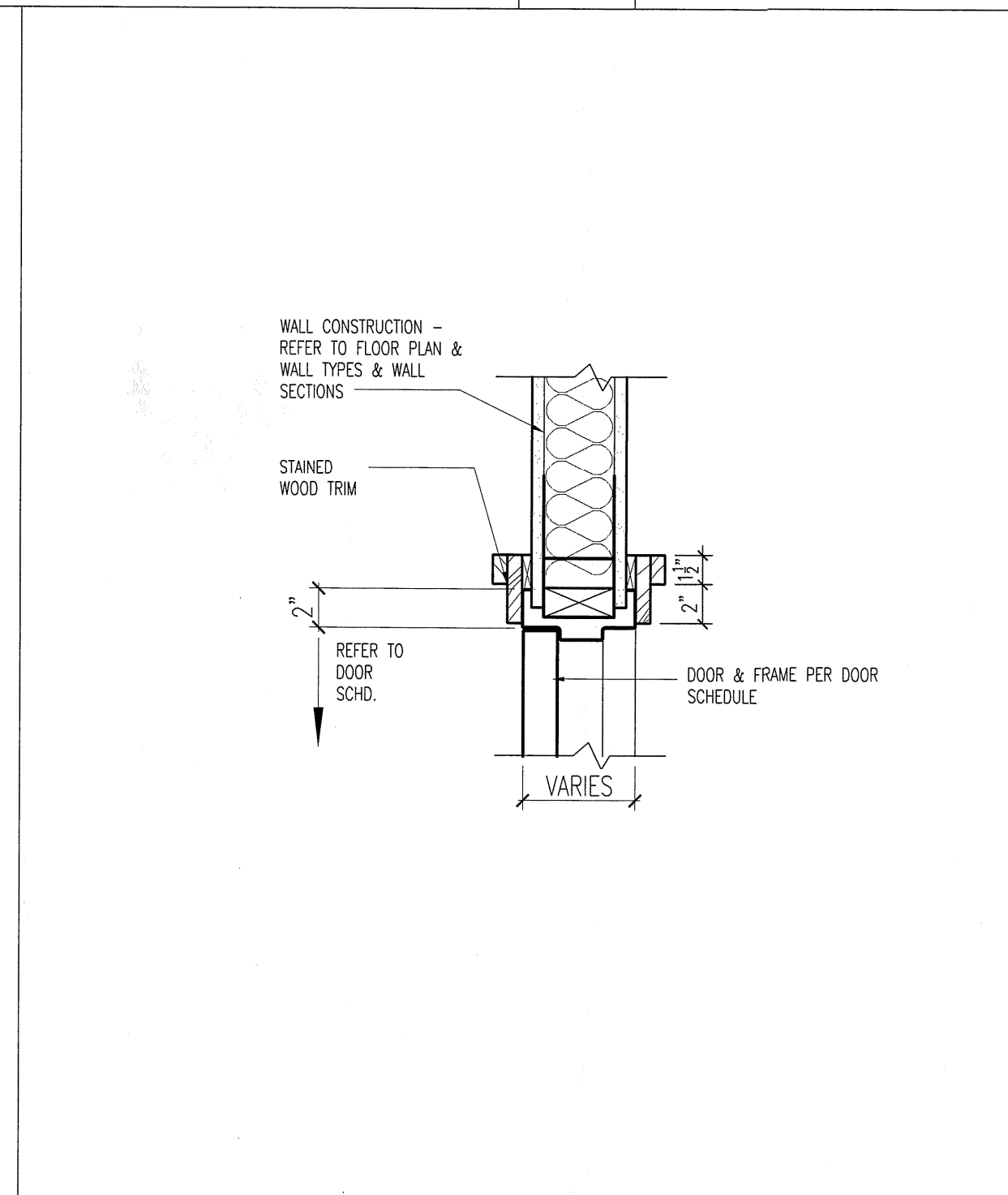
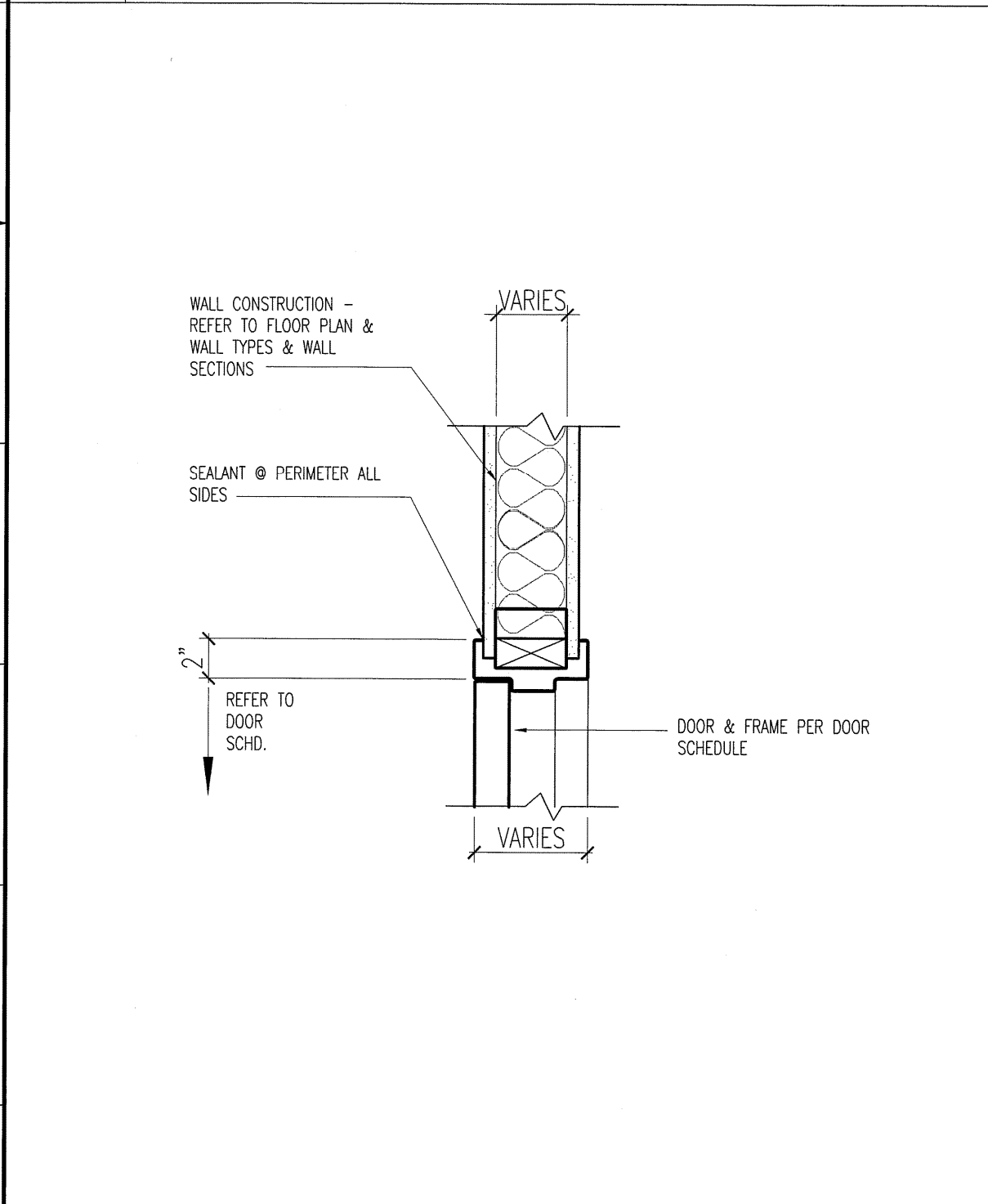
1. * EXISTING DOORS - REMOVE EXISTING DOOR HARDWARE SET & INSTALL NEW HARDWARE SET. PATCH, PAINT AND PREPARE FOR NEW HARDWARE
2. ● DOORS TO HAVE CARD READERS
3. ALL CARD ACCESS DOORS MUST MEET THE REQUIREMENTS OF THE 2006 NFPA AND 2003 IBC FOR ACCESS CONTROLLED EGRESS DOORS
4. HARDWARE FINISH: BRUSHED CHROME

K1 NOTES
NA

N7 FRAME TYPES
1/4"=1'-0"

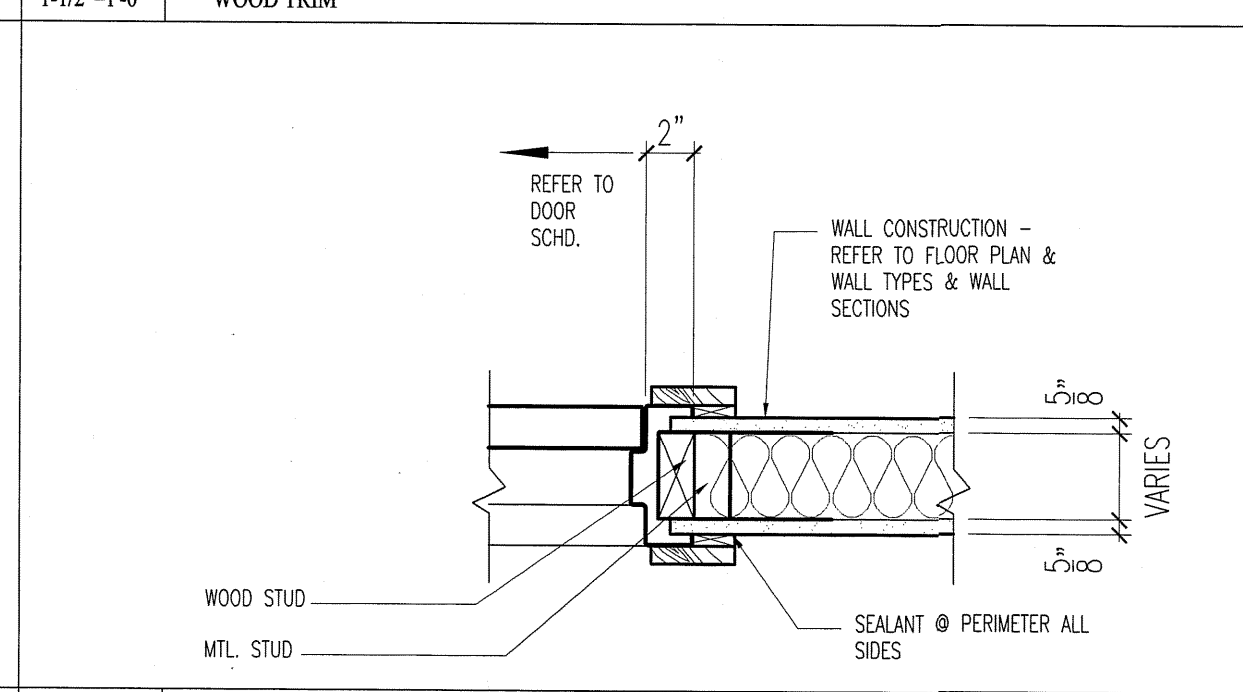
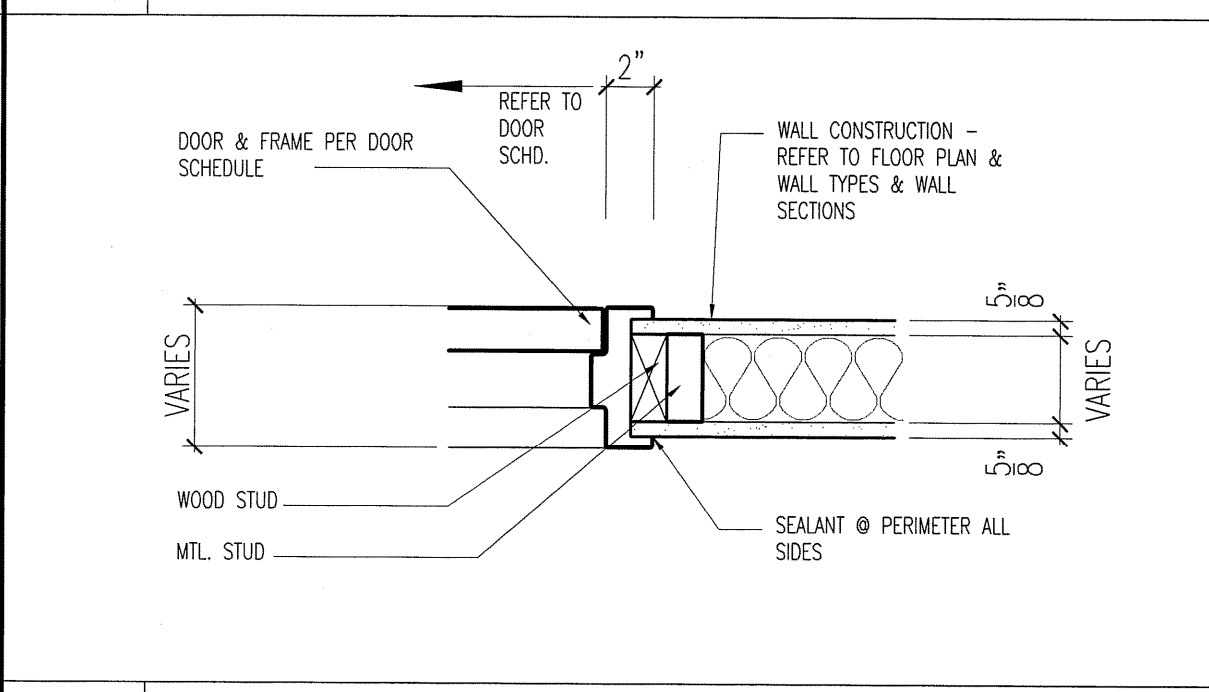


K7 INTERIOR WINDOW TYPES
1/4"=1'-0"



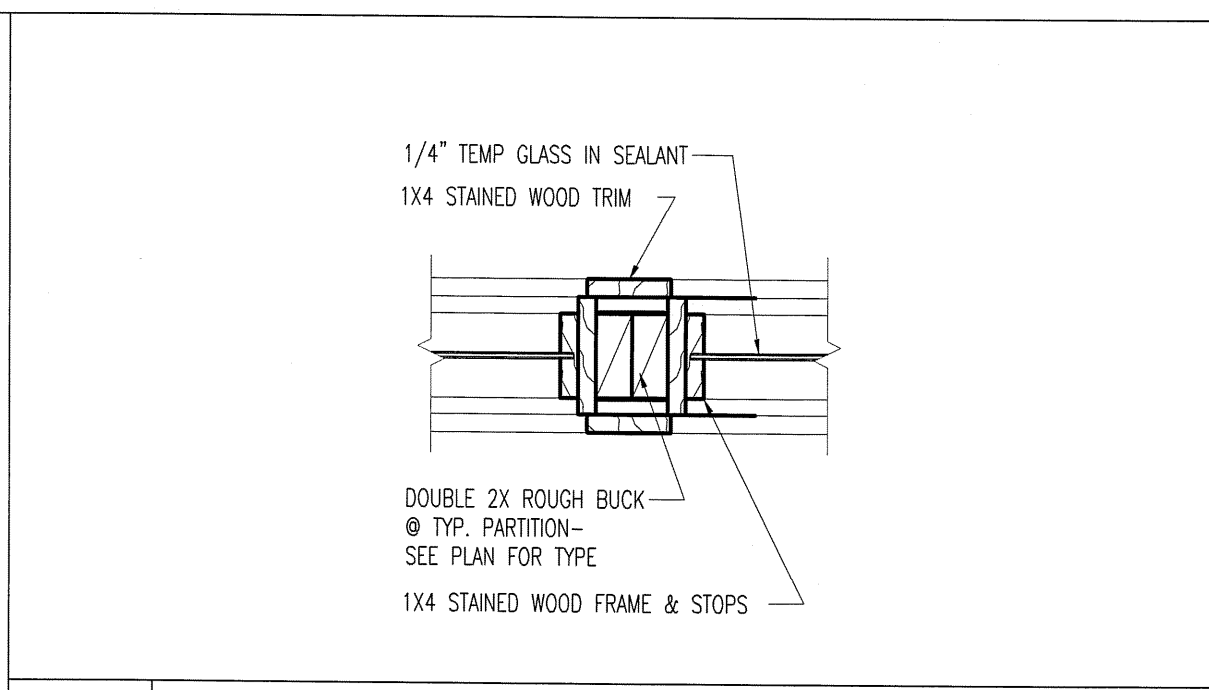
D1 HEAD DETAIL
1-1/2"=1'-0"

D5 HEAD DETAIL
1-1/2"=1'-0"
WOOD TRIM

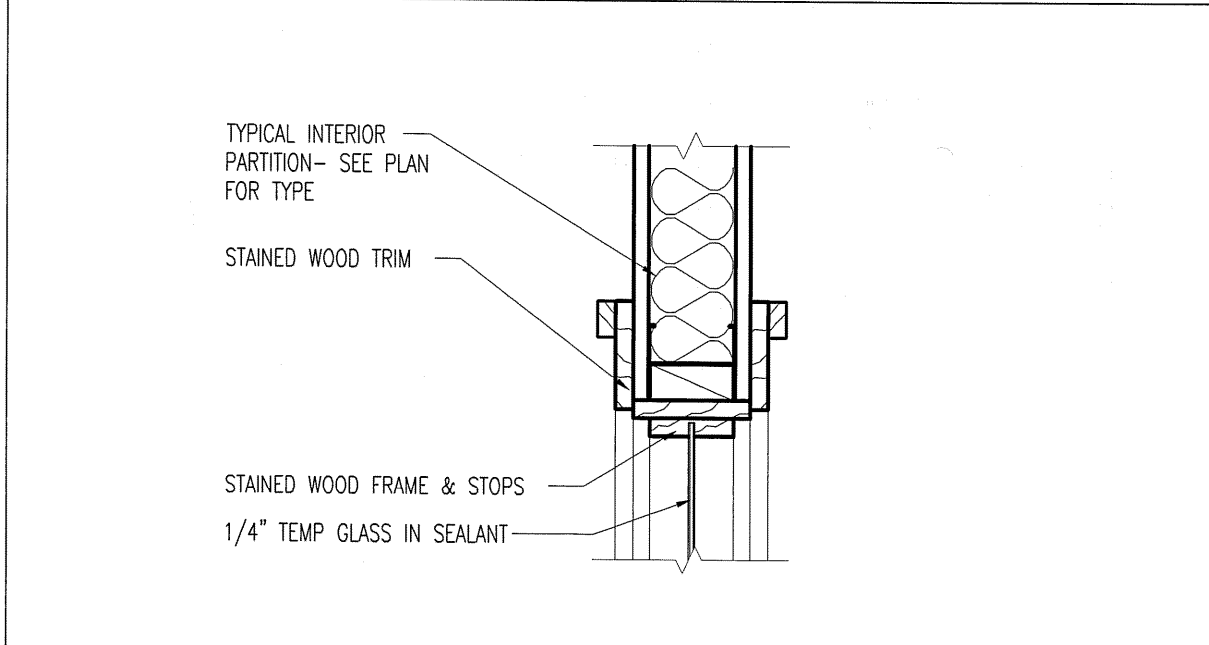


A1 JAMB DETAIL
1-1/2"=1'-0"

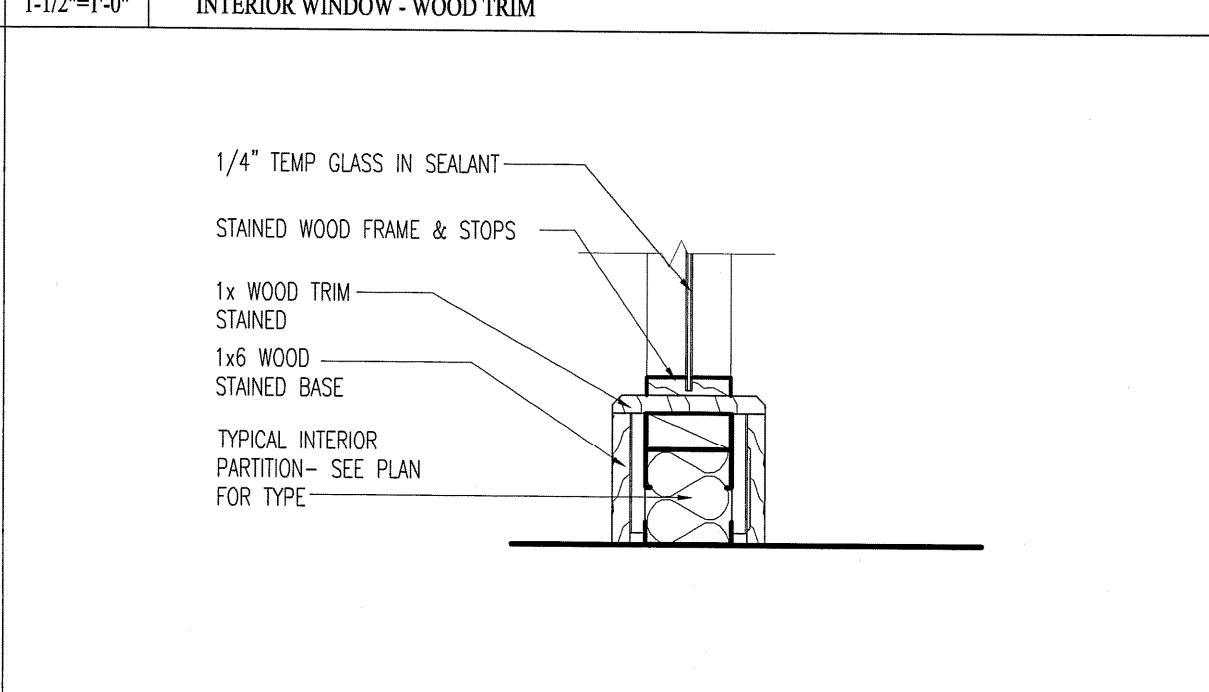
A5 JAMB DETAIL
1-1/2"=1'-0"
WOOD TRIM



G9 MULLION DETAIL
1-1/2"=1'-0"
INTERIOR WINDOW - WOOD TRIM



D9 INTERIOR WINDOW HEAD DETAIL
1-1/2"=1'-0"
INTERIOR WINDOW - WOOD TRIM



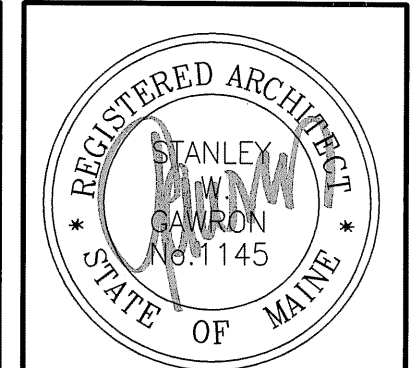
A9 INTERIOR WINDOW SILL DETAIL
1-1/2"=1'-0"
INTERIOR WINDOW - WOOD TRIM

DOOR SCHEDULE		DOOR SCHEDULE ABBREVIATIONS									
EHO	ELECTRO. HOLD OPENER	NO	NUMBER	WD	WOOD (SOLID)	WG	WIRE GLASS	S	STAIN	P	PART
HM	HOLLOW METAL	ES	ELECTRIC STRIKE	WS	WIRE GLASS						
INS	INSULATED	TEMP	TEMPERED								
MTL	METAL	THK	THICKNESS								

DOORS												FRAMES				SILL CONDITION		HDW		DOORS	
NO	TYPE	SIZE	THK.	MAT.	FINISH	F.R. LABEL	REMARKS	TYPE	MAT.	DETAILS		FINISH	REMARKS	MAT.	DETAILS		SET	NO			
										HEAD	JAMB				SILL	HEIGHT					
FOURTH FLOOR																					
400	NOT USED																		400		
401	EXISTING																		401		
402	EXISTING																		402		
403	EXISTING																		403		
404	EXISTING																		404		
405	NOT USED																		405		
406	EXISTING																	HW4	406		
407	* EXISTING																	HW2	407		
408	EXISTING																	HW4	408		
409	EXISTING																		409		
410	EXISTING																		410		
411	NOT USED																		411		
412	A	3'-0" x 7'-0"	1 3/4	WD	P	-		1	HM	D1/A800	A1/A800	P						HW6	412		
413	A	3'-0" x 7'-0"	1 3/4	WD	P	-		1	HM	D1/A800	A1/A800	P						HW6	413		
414	A	3'-0" x 7'-0"	1 3/4	WD	P	-		1	HM	D1/A800	A1/A800	P						HW5	414		
415	* EXISTING																		HW6	415	
416	A	3'-0" x 7'-0"	1 3/4	WD	P	-		2	HM	D1/A800	A1/A800	P						HW5	416		
416A	A	3'-0" x 7'-0"	1 3/4	WD	P	-		2	HM	D1/A800	A1/A800	P						HW5	416A		
417	A	3'-0" x 7'-0"	1 3/4	WD	P	-		2	HM	D1/A800	A1/A800	P						HW5	417		
418	A	3'-0" x 7'-0"	1 3/4	WD	P	-		2	HM	D1/A800	A1/A800	P						HW5	418		
419	A	3'-0" x 7'-0"	1 3/4	WD	P	-		2	HM	D1/A800	A1/A800	P						HW5	419		
420	A	3'-0" x 7'-0"	1 3/4	WD	P	-		2	HM	D1/A800	A1/A800	P						HW5	420		
421	NOT USED																		421		
422	B	3'-0" x 7'-0"	1 3/4	WD	S	-		4	HM/WD	D5/A800	A5/A800	P/S						HW3	422		
423	B	3'-0" x 7'-0"	1 3/4	WD	S	-		4	HM/WD	D5/A800	A5/A800	P/S						HW6	423		
424	B	(2) 3'-0" x 7'-0"	1 3/4	WD	S	-		4	HM/WD	D5/A800	A5/A800	P/S						HW8	424		
425	B	3'-0" x 7'-0"	1 3/4	WD	S	-		4	HM/WD	D5/A800	A5/A800	P/S						HW5	425		
425A	B	3'-0" x 7'-0"	1 3/4	WD	S	-		4	HM/WD	D5/A800	A5/A800	P/S						HW6	425A		
426	C	(2) 3'-0" x 8'-0"	1 1/2	WD	S	-		3	HM/WD	D5/A800	A5/A800	P/S						HW1	426		
427	NOT USED																		427		
428	B	(2) 3'-0" x 7'-0"	1 3/4	WD	S	-		4	HM/WD	D5/A800	A5/A800	P/S						HW7	428		
429	NOT USED																		429		
430	NOT USED																		430		
431	NOT USED																		431		
432	A	3'-0" x 7'-0"	1 3/4	WD	P	-		2	HM	D1/A800	A1/A800	P						HW6	432		
433	A	3'-0" x 7'-0"	1 3/4	WD	P	-		1	HM	D1/A800	A1/A800	P						HW6	433		
433A	A	3'-0" x 7'-0"	1 3/4	WD	P	-		1	HM	D1/A800	A1/A800	P						HW6	433A		
434	A	3'-0" x 7'-0"	1 3/4	WD	P	-		2	HM	D1/A800	A1/A800	P						HW6	434		
435	A	3'-0" x 7'-0"	1 3/4	WD	P	-		2	HM	D1/A800	A1/A800	P						HW6	435		
436	* EXISTING																		HW5	436	
437	* EXISTING																		HW5	437	
438	* EXISTING																		HW5	438	
439	A	3'-0" x 7'-0"	1 3/4	WD	P	-		2	HM	D1/A800	A1/A800	P						HW5	439		
440	NOT USED																		440		
441	* EXISTING																		HW2	441	

1. All door frames and doors to be painted P1 except doors 422, 423, 424, 425, 425A, 426 & 428. These door frames to be painted to match wood frame surrounds.
2. All wood doors to be walnut with a medium mahogany stain finish.

A13 DOOR SCHEDULE
NA
CANAL PLAZA



GAWRON TURGEON ARCHITECTS
29 Black Point Road
Scarborough, ME 04074
www.gawronturjeon.com
Tel. 207. 883. 6307
Fax. 207. 883. 0361

PRUDENTIAL
TWO PORTLAND SQUARE FOURTH FLOOR
PORTLAND, MAINE

REVISIONS	
#	DATE DESCRIPTION

DATE:	01-21-08
PROJECT #:	110807
DRAWN BY:	DLP
CHECKED BY:	MET
DRAWING SCALE:	AS NOTED

SHEET TITLE
DOOR SCHEDULE & DETAILS

A800

© COPYRIGHT 1985-2003
REPRODUCTION OR RESUE OF
THIS DOCUMENT WITHOUT
WRITTEN PERMISSION OF
GAWRON TURGEON ARCHITECTS IS PROHIBITED

ISSUED FOR CONSTRUCTION