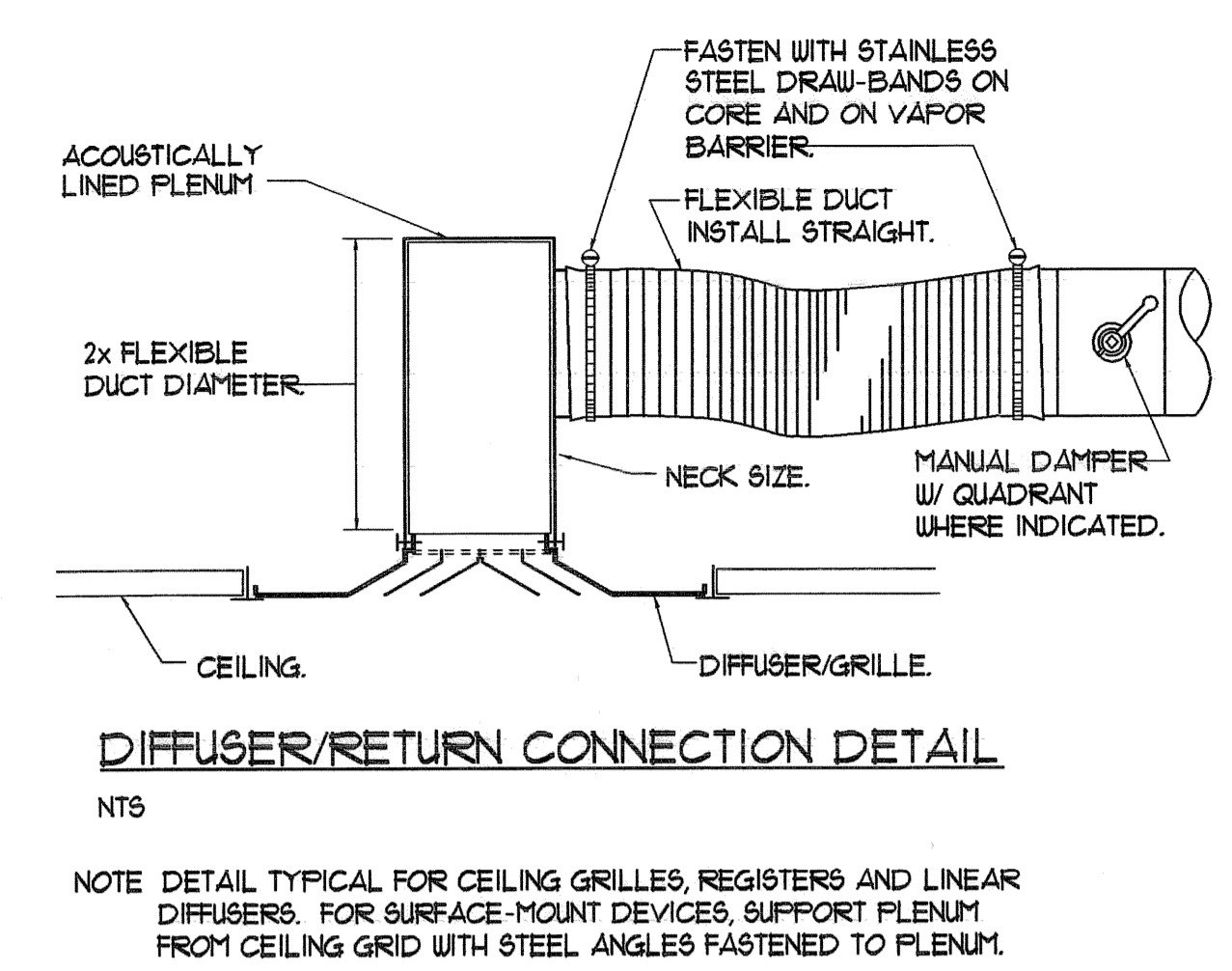
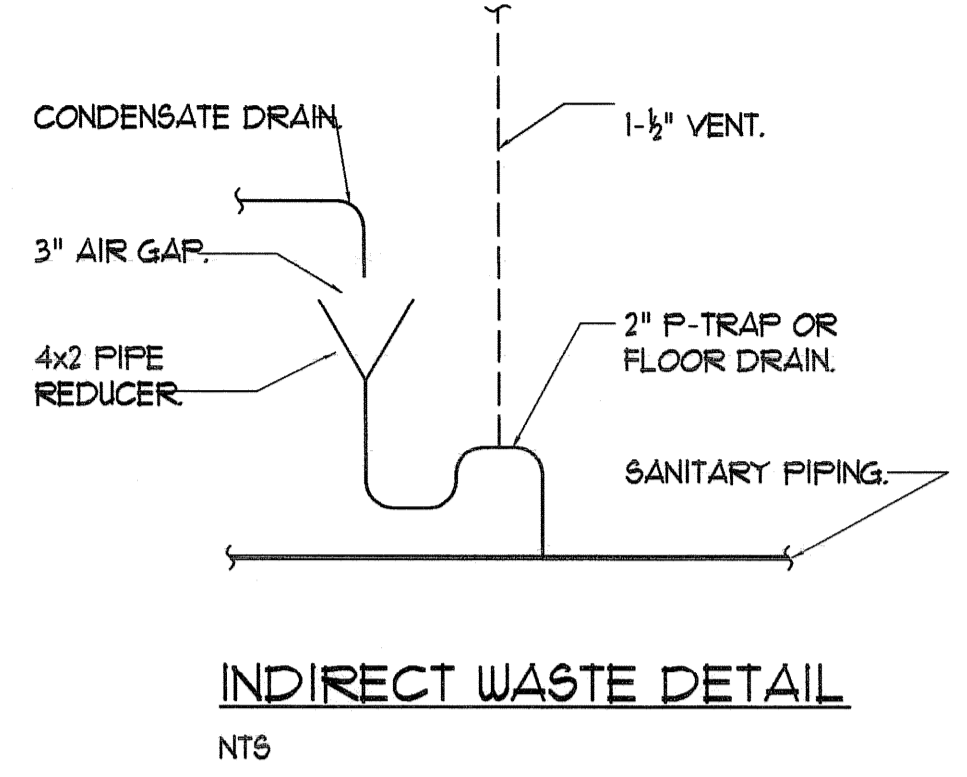
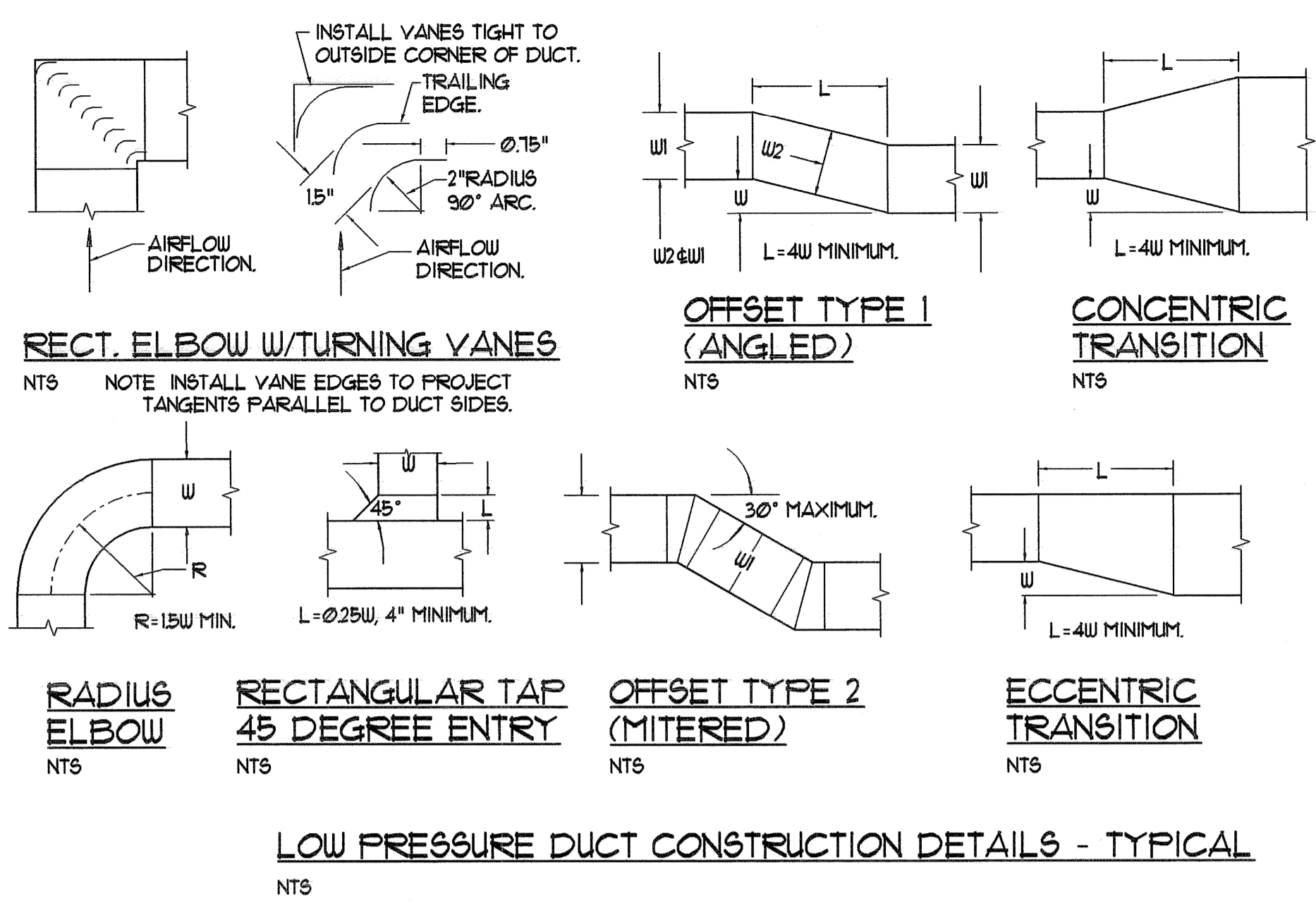


GAWRON TURGEON ARCHITECTS
 29 Black Point Road,
 Scarborough, ME 04074
 www.gawronturgeon.com
 Tel. 207-883-6307
 Fax. 207-883-0361

PRUDENTIAL
 PORTLAND, MAINE



SPLIT-SYSTEM AIR CONDITIONER PERFORMANCE SCHEDULE * - AT ARI CONDITIONS OF 85°F AMBIENT/65°F INDOOR WB

TAG	TOTAL COOLING (MEH)	AIRFLOW (CFM)	MOISTURE REMOVAL (PINTS/HR)	COND. DRAIN (IN)	SEER (BTUH/WATT)	SOUND RATING (DB)	WEIGHT (LBS)	REFRIGERANT PIPE SIZE (IN)		ELECTRICAL REQUIREMENTS			BASIS OF DESIGN - MITSUBISHI		
								LIQUID	GAS	MCA	MAX FUSE	V/PH/Hz	SERVICE	ARRANGEMENT	MODEL
SAC-1	6.0-12.0	320	2.6	3/4"	13.8	36	35	1/4"	1/2"	-	-	15/1/60	PROVINCE LIBRARY	WALL	PKA-A12GAL

PLUMBING FIXTURE CONNECTION SCHEDULE

TAG	DESCRIPTION	SAN	VENT	CW	HW
P-1	ADA SINGLE BOWL 66 KITCHEN SINK	1-1/2"	1-1/2"	1/2"	1/2"

MINIMUM SIZE OF BELOW SLAB SANITARY & VENT PIPING SHALL BE 2".

SPLIT-SYSTEM CONDENSING UNIT PERFORMANCE SCHEDULE * - AT ARI CONDITIONS OF 85°F AMBIENT/61°F SAT. INDOOR WB

TAG	TOTAL COOLING (MEH)	REFRIGERANT	CONDENSER AIRFLOW (CFM)	MINIMUM AMBIENT TEMP (°F)	FOOTPRINT DIMENSION (INCHES)	OPERATING WEIGHT (LBS)	ELECTRICAL REQUIREMENTS			BASIS OF DESIGN - MITSUBISHI			
							MCA	MAX FUSE	V/PH/Hz	COMP. STAGING	SOUND (dBA)	SERVICE	MODEL
SCU-1	6.0-12.0	R-410A	-	0.0	31"x10"	90	13.0	15.0	200/1/60	-	46	SAC-1	FUY-A12NHA

ELECTRIC BASEBOARD HEATER PERFORMANCE SCHEDULE

TAG	OUTPUT (MEH)	AIRFLOW (CFM)	MOUNT. AFF (IN)	ELECTRICAL REQUIREMENTS		BASIS OF DESIGN - BERKO	
				KW	V/PH/Hz	SERVICE	MODEL
EBB-1	3.4	-	-	1.0	271/1/60	MULTIPLE	BKOC2514U

PROVIDE WITH REMOTE THERMOSTATS.
 * - MOUNTING HEIGHT SHALL BE PER MANUFACTURER'S RECOMMENDATIONS

MECHANICAL AND PLUMBING SYMBOLS AND ABBREVIATIONS LEGEND
 NOTE - USE SYMBOLS AND ABBREVIATIONS AS APPLICABLE FOR THIS MECHANICAL DRAWING SET. SOME SYMBOLS AND ABBREVIATIONS IN THIS LEGEND MAY NOT APPLY.

SYMBOL	DESCRIPTION	SYMBOL	DESCRIPTION	ABBREVIATION	DESCRIPTION	ABBREVIATION	DESCRIPTION	ABBREVIATION	DESCRIPTION
---	SANITARY PIPING BELOW FLOOR (SAN)	⊗	ROOM TEMPERATURE SENSOR	AD	ACCESS DOOR	I-B-R	INSTITUTE OF BOILER AND RADIATOR MANUFACTURERS	PVC	POLYVINYL CHLORIDE (PIPE)
---	SANITARY PIPING ABOVE FLOOR (SAN)	⊙	THERMOSTAT OR SENSOR ON WALL	AFF	ABOVE FINISHED FLOOR	IN	INCHES	RA	RETURN AIR
---	SANITARY VENT PIPING	⊕	TSTAT OR SENSOR W/ TAMPERPROOF GUARD	AHU-*	AIR HANDLING UNIT TAG	LAT	LEAVING AIR TEMPERATURE	RLA	RUNNING LOAD AMPS
---	RAINWATER LEADER ABOVE SLAB (RWL)	⊕	AIR DEVICE TAG (LETTER) WITH CFM	AMP*	AMPERES	LB	POUNDS	RPM	REVOLUTIONS PER MINUTE
---	COLD WATER PIPING (CW)	⊕	TURNING VANES	AP	ACCESS PANEL	LRA	LOCKED ROTOR AMPS	RP6	REVOLUTIONS PER SECOND
---	HOT WATER PIPING (HW)	⊕	DUCT W/MANUAL DAMPER	APD	AIR PRESSURE DROP	MAX	MAXIMUM	RTU	ROOM TEMPERATURE SENSOR
---	RECIRCULATED HOT WATER PIPING (RHW)	⊕	DUCT W/FLEXIBLE CONNECTION (FC)	ATC	AUTOMATIC TEMPERATURE CONTROL	MBH	THOUSANDS OF BTU PER HOUR	SAN	SUPPLY AIR
---	PIPE CAP	⊕	LAGGED DUCT	BD-*	BYPASS DAMPER TAG	MCA	MINIMUM CIRCUIT AMPACITY	SP	STATIC PRESSURE
---	DIRECTION OF FLUID FLOW	⊕	DUCT W/ACOUSTIC LINING	BHP	BRAKE HORSEPOWER	MIN	MINIMUM	SQFT	SQUARE FEET
---	ELBOW UP	⊕	DUCT W/SQUARE-TO-ROUND TRANSITION	BTUH	BRITISH THERMAL UNITS PER HOUR	NC	NOISE CRITERION	ΔT	TEMPERATURE DIFFERENTIAL
---	ELBOW DOWN	⊕	FLEXIBLE DUCT	CFM	CUBIC FEET PER MINUTE	NIC	NOT IN CONTRACT	TEMP.	TEMPERATURE
---	PIPE TEE UP	⊕	MOTOR OPERATED DAMPER	CO	CLEANOUT	NTS	NOT TO SCALE	TCP	TEMPERATURE CONTROL PANEL
---	PIPE TEE DOWN	⊕	AIRFLOW OUT	CW	COLD WATER	OA	OUTSIDE AIR	TSP	TOTAL STATIC PRESSURE
---	PIPE TEE UP	⊕	AIRFLOW IN	DB	DRY BULB	OBD	OPPOSED BLADE DAMPER	TYP	TYPICAL
---	PIPE REDUCER	⊕	DIAMETER OR FLAT OVAL	dB RE	DECIBELS RELATIVE TO	OD	OUTSIDE DIAMETER	V/PH/Hz	VOLTS/PHASES/HERTZ
---	PIPE WITH GUIDE	⊕	FIRE DAMPER	DEG F	DEGREES FAHRENHEIT	OPD	OVERCURRENT PROTECTIVE DEVICE	WCO	WALL CLEANOUT
---	PIPE WITH ANCHOR	⊕	ROUND OR FLAT OVAL DUCT DOWN	DIA	DIAMETER	P-*	PLUMBING FIXTURE TAG	WG	WATER GAGE
---	BALL VALVE	⊕	ROUND OR FLAT OVAL DUCT UP	DIW	DOWN IN WALL	FENETN	FENESTRATION	WSA	WIRE SIZING AMPS
---	BALL VALVE	⊕	SUPPLY DIFFUSER	DN	DOWN	HP	HORSEPOWER	W	WIDTH
---	UNION	⊕	RETURN GRILLE	EA	EXHAUST AIR	HU	HOT WATER	ZD-*	ZONE DAMPER TAG
				EAT	ENTERING AIR TEMPERATURE				

REVISIONS

#	DATE	DESCRIPTION

DATE:	1-21-08
PROJECT #:	110807
DRAWN BY:	JMV
CHECKED BY:	SPDoel
DRAWING SCALE:	1/8"=1'-0"

SHEET TITLE
 MECHANICAL DETAILS,
 LEGEND & SCHEDULES

M200

© COPYRIGHT 1985-2003
 REPRODUCTION OR RESALE OF
 THIS DOCUMENT WITHOUT
 WRITTEN PERMISSION OF
 GAWRON ARCHITECTS IS PROHIBITED