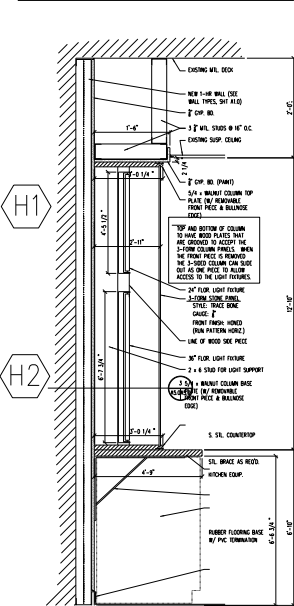
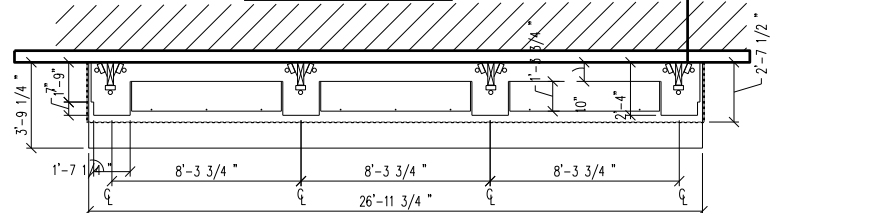




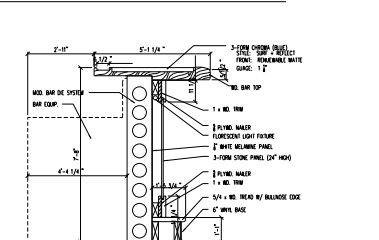
BACK BAR LIGHTING DETAIL



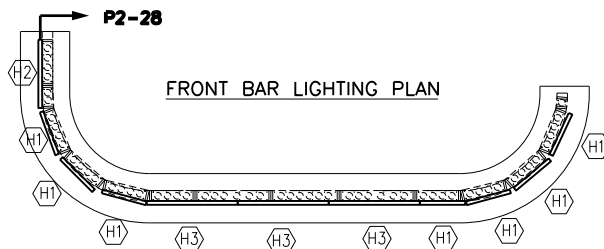
BACK BAR TOP VIEW



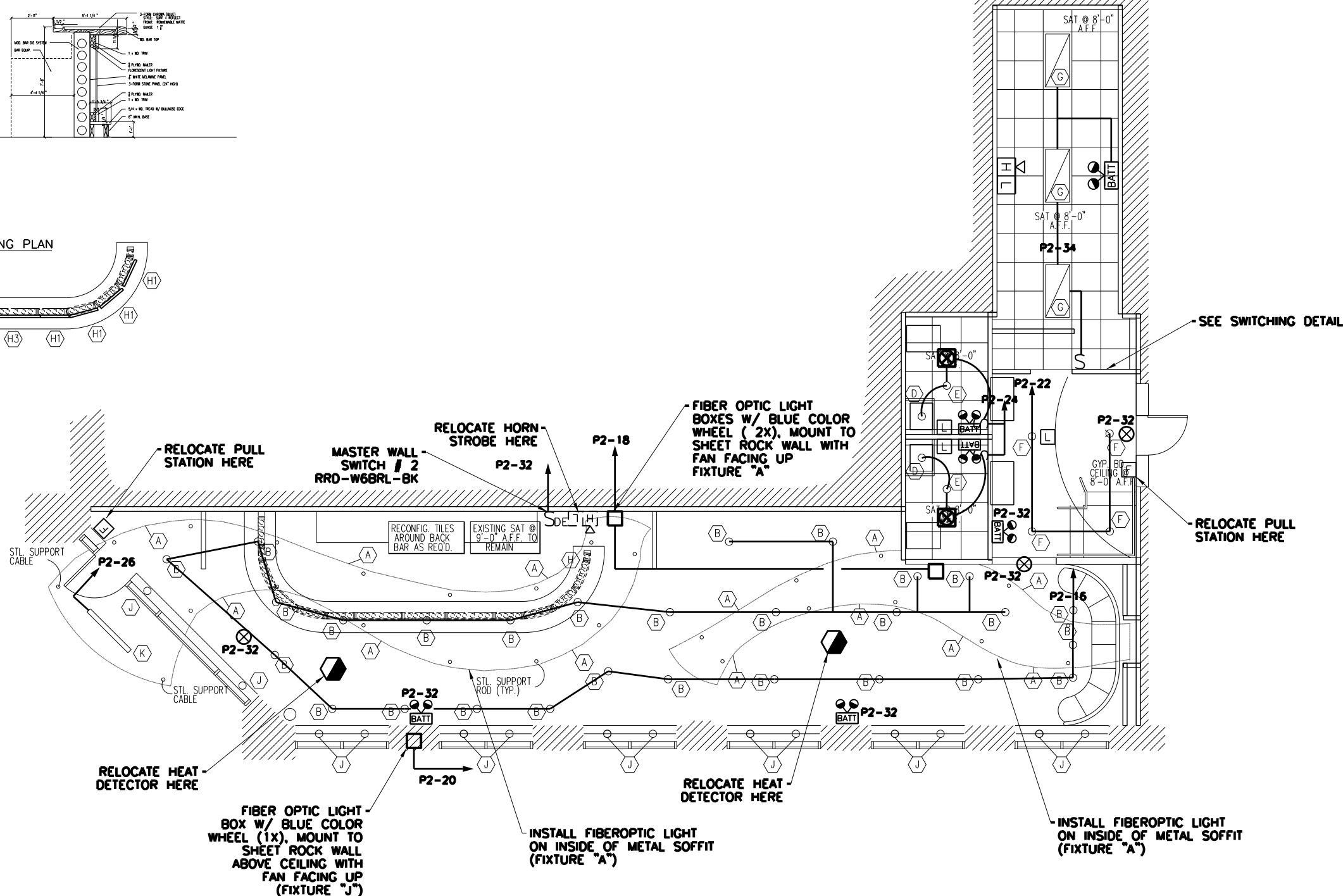
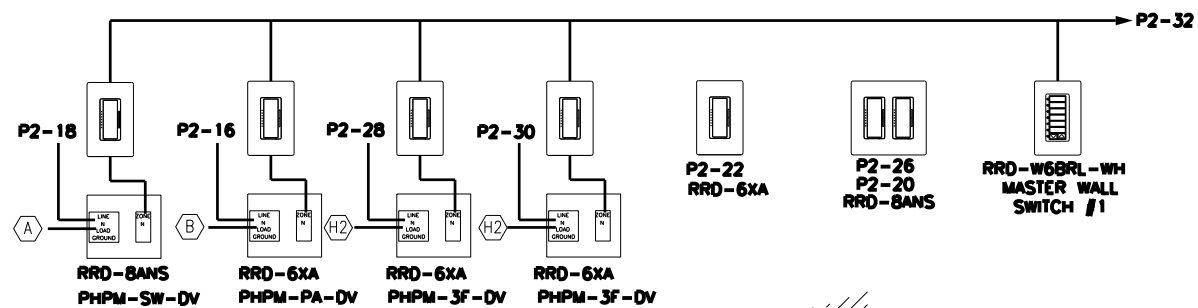
FRONT BAR LIGHTING DETAIL



FRONT BAR LIGHTING PLAN



SWITCHING DETAIL



Project Title

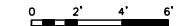
### Ginkgo Blue

2 PORTLAND SQUARE  
PORTLAND, MAINE

ESM Project No. 3206

Key Plan

1/4" = 1'-0"



Mark	Date	Description

Drawing Status

Drawing Title

## LIGHTING PLAN

DATE 8-10-10 PE: JWT Drawn By: MDT

Drawing Number

### E101



Gingko Blue

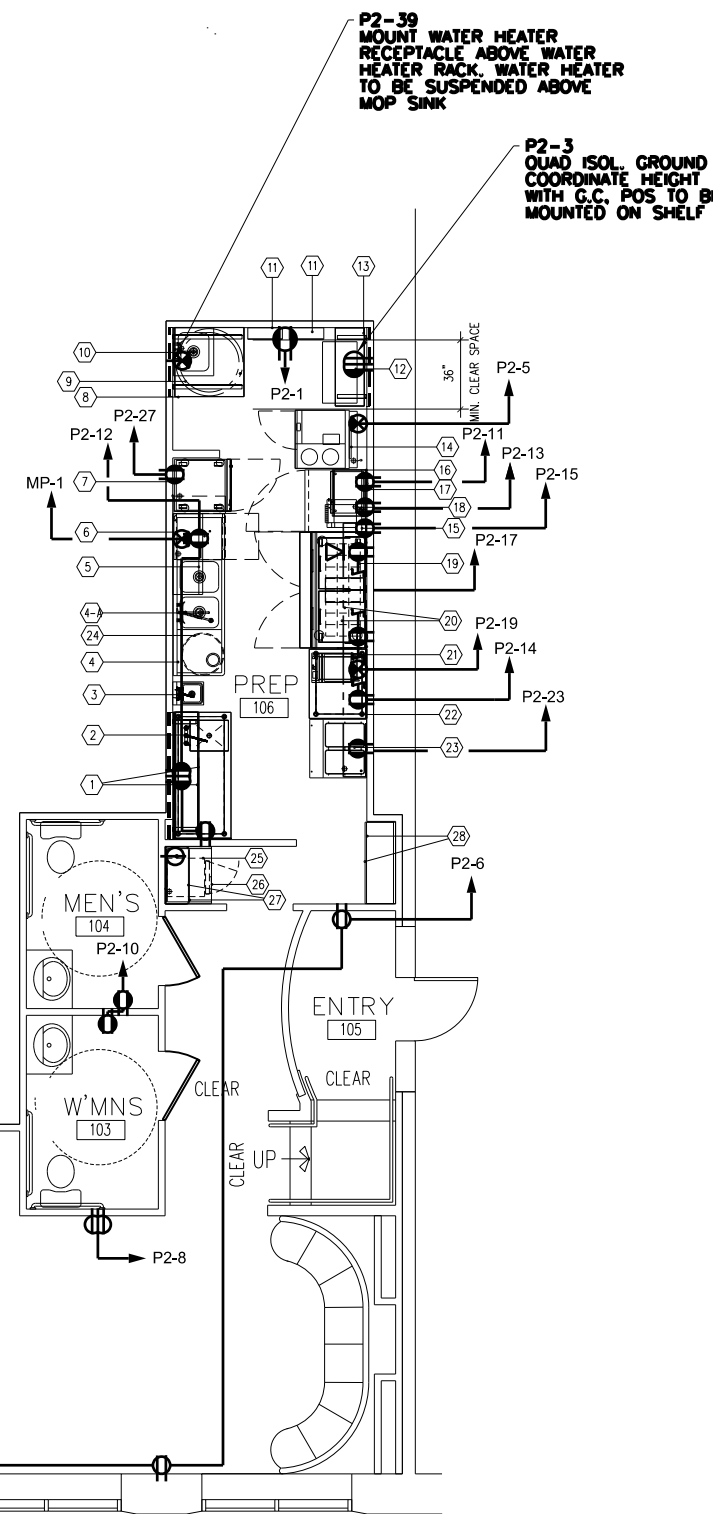
2 PORTLAND SQUARE  
PORTLAND, MAINE

ESM Project No. 3206

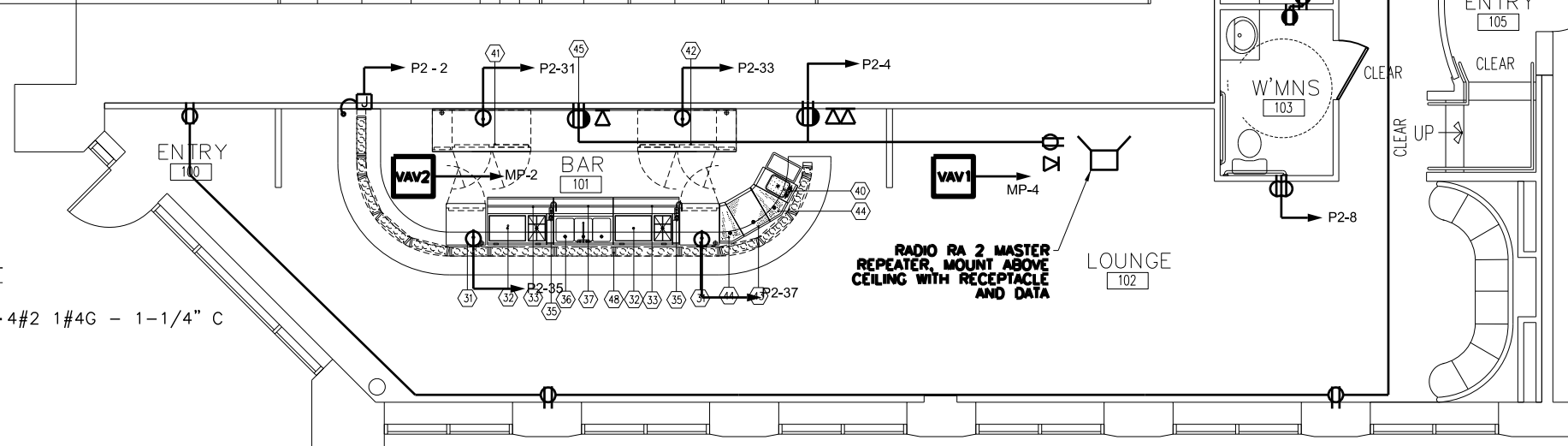
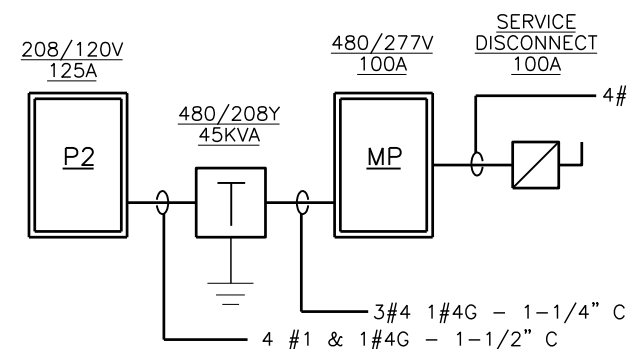
Key Plan

1/4" = 1'-0"  
0 2' 4' 6'

MK.	QTY	DESCRIPTION	ELECTRICAL						WATER		WASTE		GAS		REMARKS
			FLAMPS	KW	HP	VOLTS	PHASE	DIRECT	PLUG	COLD	HOT	DIRECT	INDIRECT	SIZE	
1	2	SHLF, WALL-MOUNTED													
2	1	S/S WORK TABLE W/PREP SINK						1/2"	1/2"	^	2"				
3	1	HAND SINK, NARROW STYLE						1/2"	1/2"	1-1/2"	^				
4	1	SINK, TWO COMPARTMENT								^	2"	.2"			
4-A	1	PRE-RINSE SPRAY W/FAUCET						1/2"	1/2"						
5	1	RACK SHLF, WALL MOUNT													
6	1	DISHWASHER, UNDERCOUNTER STYLE	14.8	7.5	^	480	3	^		3/4"	^	3/4"			^ RECEPTACLE - L16-20R PLUG L16-20P
7	1	REFRIGERATOR, REACH-IN	7.6	^	1/3	120	1	^	X						^ RECEPTACLE - NEMA 5-20R GFCI
8	1	WATER HEATER SHLF													N.I.C. - BY OTHERS
9	1	WATER HEATER													SIZE TO BE VERIFIED WITH MECHANICAL CONTRACTOR
10	1	MOP SINK						1/2"	1/2"	2"	^				
11	2	ELECTRICAL PANEL													N.I.C. - BY EC
12	1	TRANSFORMER													N.I.C. - BY EC
13	1	SHLF/CABINET FOR POS SYSTEM													N.I.C. - BY MILLWORK
14	1	VENTLESS RANGE, ELECTRIC	37.0	12.8	^	208	3	^	X						^ RECEPTACLE - NEMA 15-60R
15	1	REFRIGERATED COUNTER, WORK TOP	6.5	^	1/5	120	1	^	X						^ RECEPTACLE - NEMA 5-20R GFCI
16	1	MICROWAVE SHLF													
17	1	MICROWAVE OVEN	15.0	1.5	^	120	1	^	X						^ RECEPTACLE - NEMA 5-20R GFCI
18	1	TOASTER, CONVEYOR	13.5	1.6	^	120	1	^	X						^ RECEPTACLE - NEMA 5-20R GFCI
19	1	REFRIGERATED COUNTER, SANDWICH TOP	7.8	^	1/3	120	1	^	X						^ RECEPTACLE - NEMA 5-20R GFCI
20	2	S/S WALL SHLF													
21	1	PANINI GRILL	6.5	1.4	^	208	1	^	X						^ RECEPTACLE - NEMA 6-20R
22	1	S/S WORK TABLE													
23	1	SERVING COUNTER, HOT FOOD, ELECTRIC	12.5	1.5	^	120	1	^	X		^	2 @ .5"			^ RECEPTACLE - NEMA 5-20R GFCI
24	1	TRASH RECEPTACLE													
25	1	REFRIGERATED CABINET, UNDERCOUNTER	3.5	^	1/6	120	1	^	X						
26	1	WAITRESS COUNTER													
27	2	S/S WALL SHLF													
28	2	S/S WALL SHLF													
29	-	- SPARE NUMBER -													
30	-	- SPARE NUMBER -													
31	2	MUG CHILLER	8.2	^	1/3	120	1	^	X						^ RECEPTACLE - NEMA 5-20R
32	2	COMBO ICE BIN W/COLD PLATE										1-1/2"			SHA-4 INCLUDED
33	2	SPEED RAIL - DOUBLE													
34	-	- SPARE NUMBER -													
35	2	SODA GUN													N.I.C. - BY VENDOR
36	1	UNDERBAR SINK, THREE COMPARTMENT						3/8"	3/8"	3 @ 1.5"	^	^			
37	1	SPEED RAIL - DOUBLE													
38	-	- SPARE NUMBER -													
39	-	- SPARE NUMBER -													
40	1	UNDERBAR SINK						3/8"	3/8"	1-1/2"	^				
41	1	BACKBAR STORAGE CABINET, REFRIGERATE	8.8	^	1/3	120	1	^	X						^ RECEPTACLE - NEMA 5-20R
42	1	BACKBAR STORAGE CABINET, REFRIGERATE	8.8	^	1/3	120	1	^	X						^ RECEPTACLE - NEMA 5-20R
43	1	DRAINBOARD										1-1/2"			
44	2	UNDERBAR FILLER PIECE										1-1/2"			
45	1	BACK BAR CABINET													N.I.C. - BY MILLWORK
46	-	- SPARE NUMBER -													
47	-	- SPARE NUMBER -													
48	1	MODULAR BAR DIE													BAR TOP BY MILLWORK



ONE LINE DIAGRAM



POWER PLAN

DATE: 8-10-10 PE: JMT Drawn By: MDT

Drawing Number

E201