



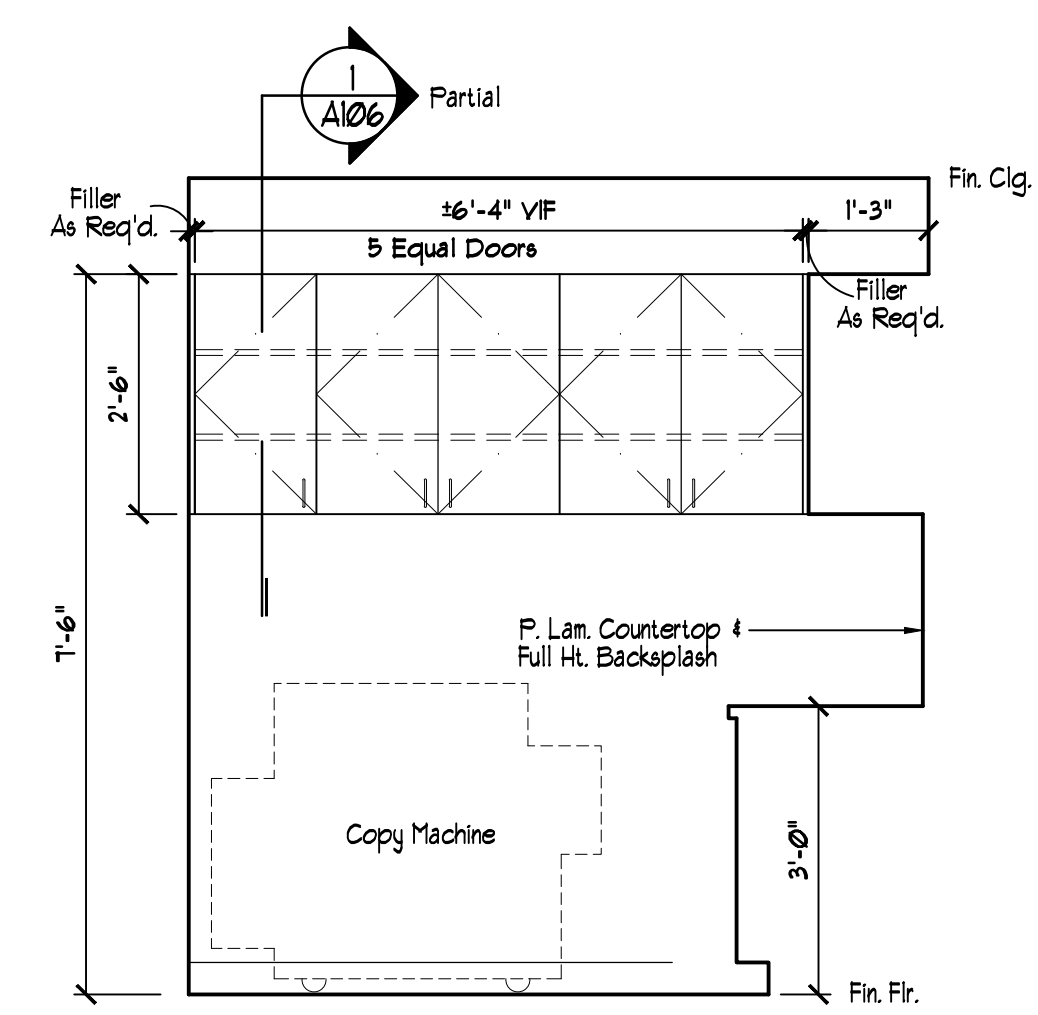
PCG - PORTLAND, ME
Business Entity # 145194
2nd Flr, 2 Portland Square
Portland, ME 04101

Wells Fargo Bank, N.A.
420 Montgomery Street
San Francisco, CA 94104

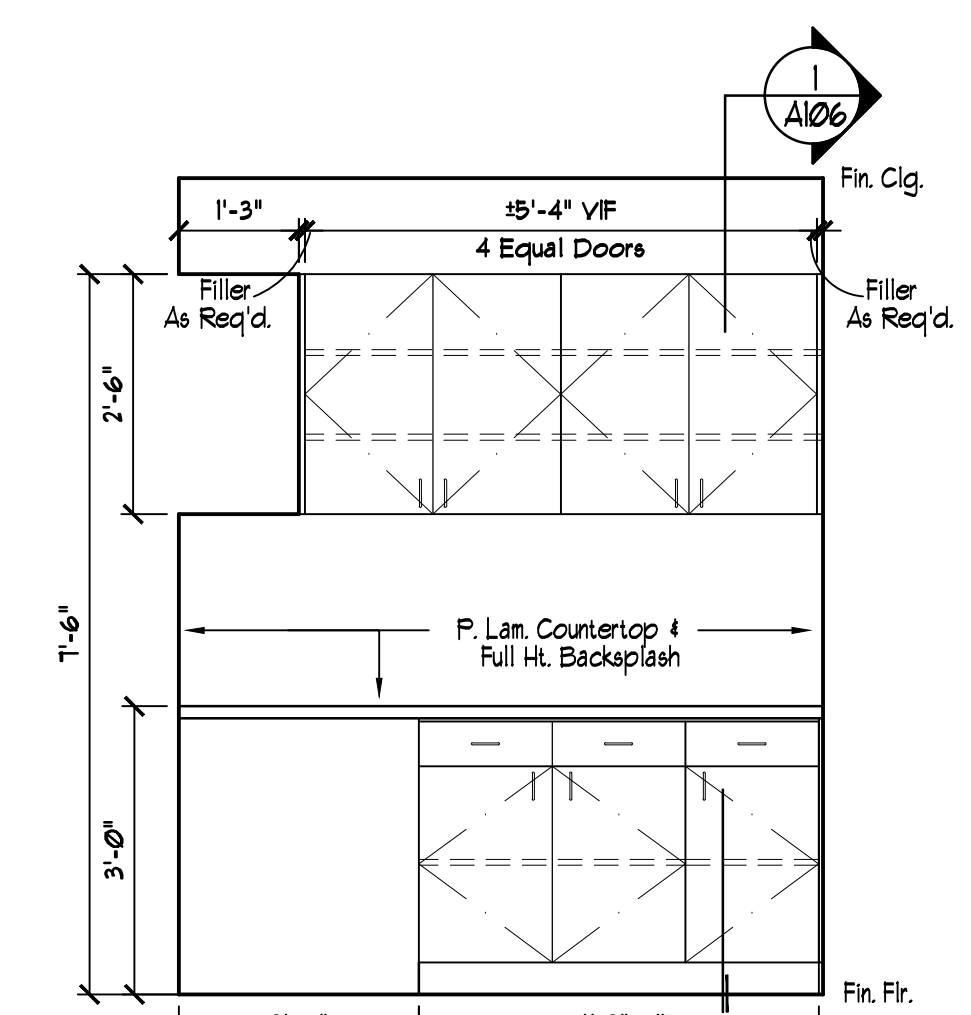
Revisions: Permit & Construction Issue - 8-12-10	
Project Number:	
Designer: DLW	Drawing Date: 07-12-10
Drafter: DLW	Drawing Scale: 1/8"=1'-0"
Wells Fargo Approval:	
Client Approval:	
Drawing Number: A106	
Sheet: of	

MILLWORK & CASEWORK SPECS

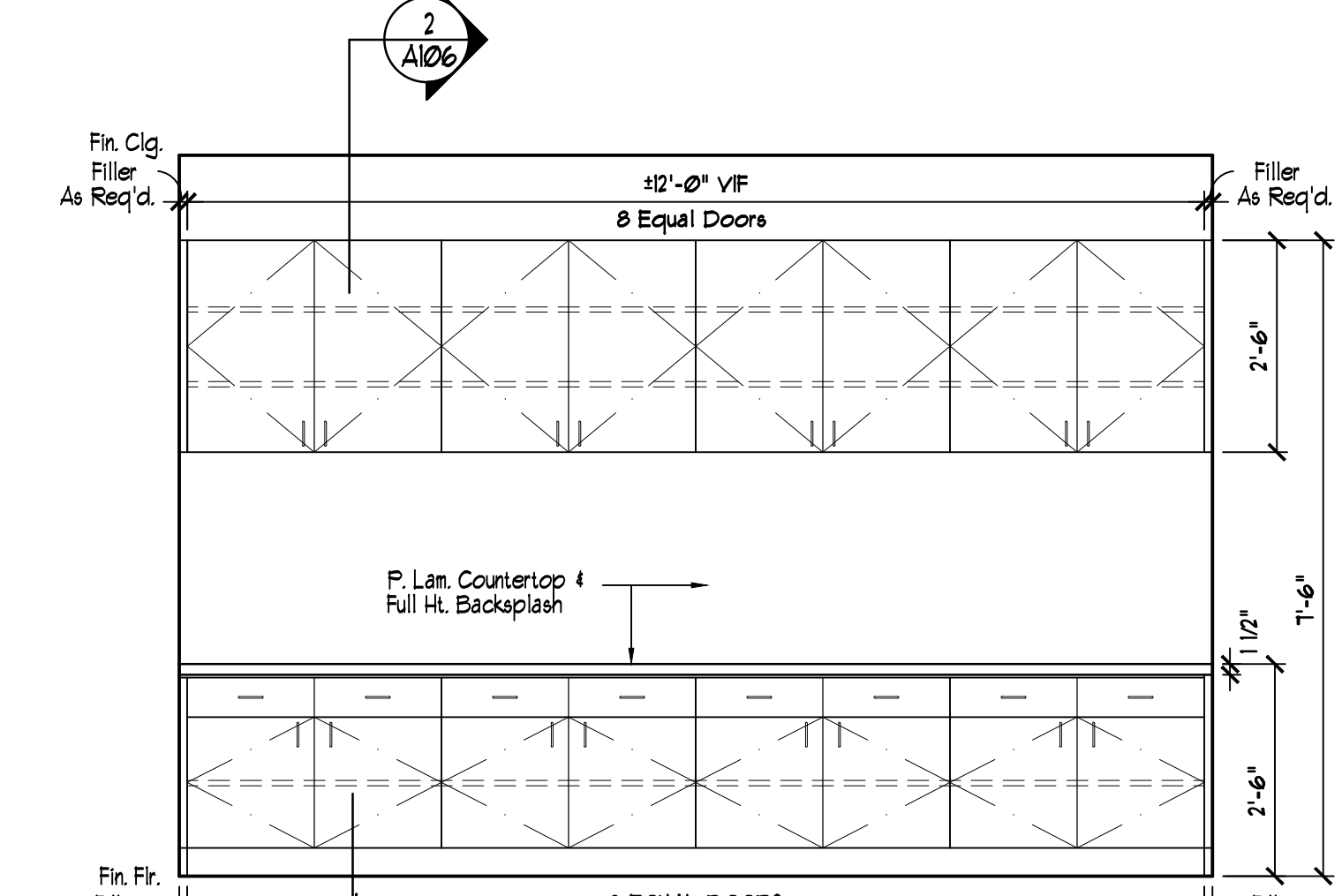
- ALL MILLWORK & CASEWORK SHALL BE FURNISHED & INSTALLED BY THE MILLWORK SUB-CONTRACTOR.
- CONTRACTOR SHALL FLD. VERIFY & PROVIDE DETAILED SHOP DRGS. FOR APPROVAL PRIOR TO FABRICATION. SHOP DRAWINGS SHALL REFLECT FIELD DIMENSIONS & CONDITIONS.
- CONTRACTOR SHALL CO-ORDINATE ALL CONCEALED BLOCKING REQMTS. WITH THE GENERAL CONTRACTOR BY LOCATION, ON A TIMELY BASIS, SO AS NOT TO DELAY WALL CLOSURE. ALL CONCEALED LOCATIONS SHALL BE NON-COM TYPE.
- CONTRACTOR SHALL CO-ORDINATE THE WORK OF ALL OTHER TRADES, AS MY BE REQUIRED FOR ROUGH-INS & CUT-OUTS. SCOPE SHALL INCLUDE, BUT IS NOT LIMITED TO, ELEC. & PLUMBING.
- ALL CUSTOM FABRICATION SHALL MEET THE CRITERIA FOR AWI PREMIUM GRADE.
- CLOSED CASEWORK SHALL BE FULL OVERLAY TYPE UNLESS OTHERWISE NOTED. FINISH OF EXPOSED FACES & EDGES SHALL BE P. LAM. COLOR TO BE SELECTED. INTERIOR OF DRAWERS & CASES, INCLUDING ADJ. SHELVES SHALL BE WHITE MELAMINE LINER.
- CASEWORK DRGS. SHALL RECEIVE FULLY CONCEALED SELF-CLOSING HINGES. ALL DOORS & DRAWERS SHALL RECEIVE IVES, # 33, 5" BR. ALUM. WIRE PULLS, UNO.
- ALL PLASTIC LAMINATE COUNTERS SHALL BE 1-1/2" THK. SELF EDGE TYPE, WITH BACKER SHEETS & SPLASHES WHERE NOTED. TOPS & SPLASHES SHALL BE SCRIBED TO WALLS IN ALL CASES. LAMINATE TO BE SELECTED.
- ALL SOLID WOOD, LOW WALL PARTN. CAPS SHALL BE BE SELECT, PREMIUM QUALITY WITH SATIN, STAIN FINISH. FINISH SHALL MATCH DOORS.



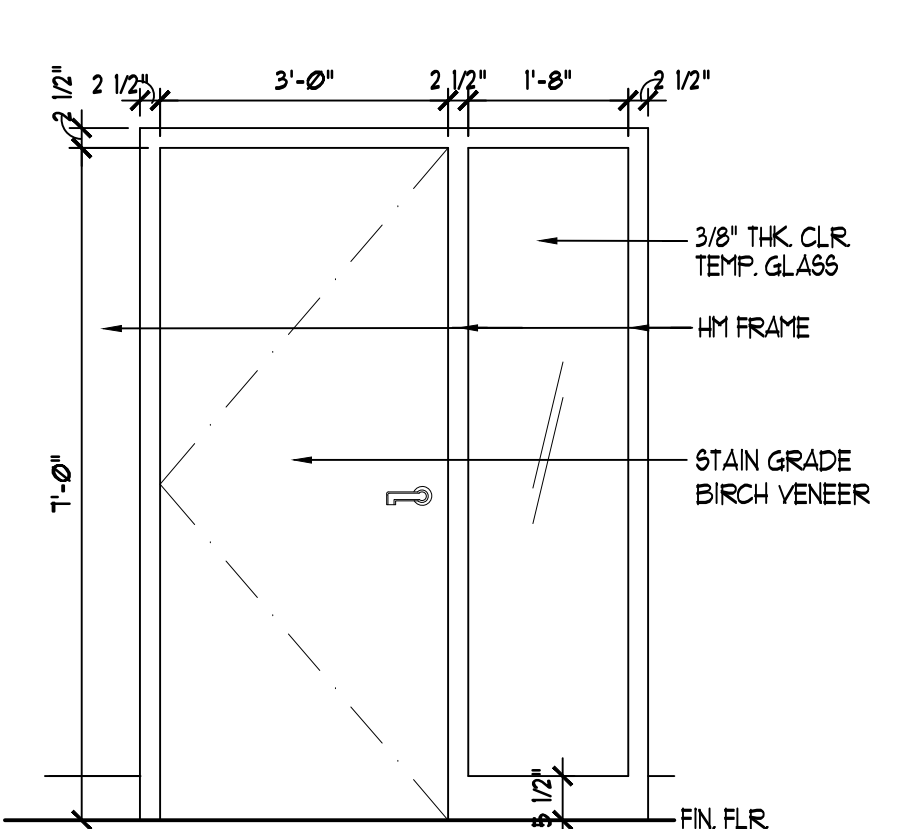
A COPY AREA
SCALE: 1/2" = 1'-0"



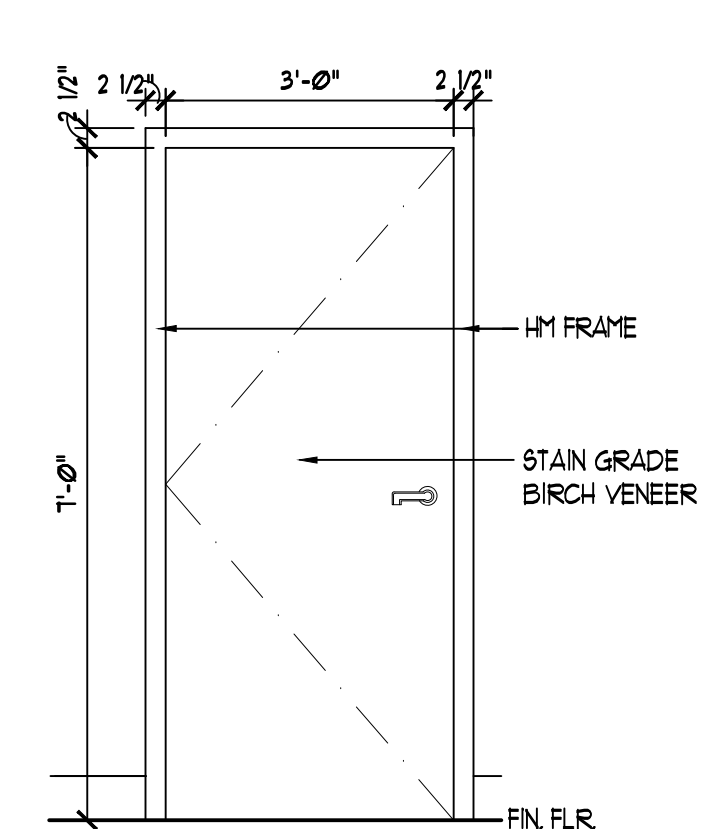
B COPY AREA ELEVATION
SCALE: 1/2" = 1'-0"



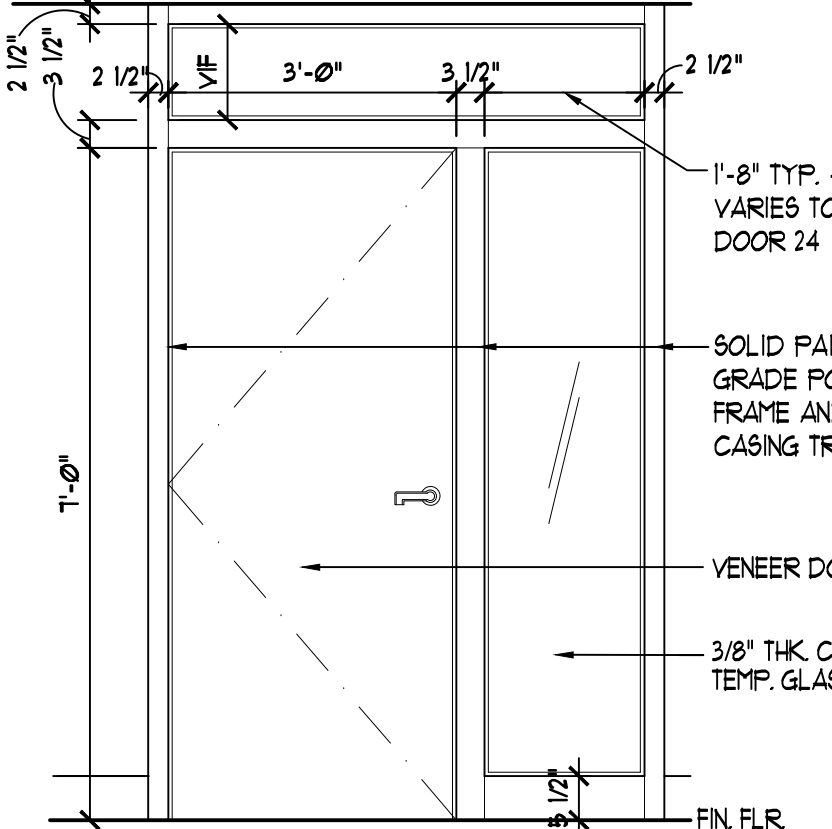
C PRINTER/ FAX AREA
SCALE: 1/2" = 1'-0"



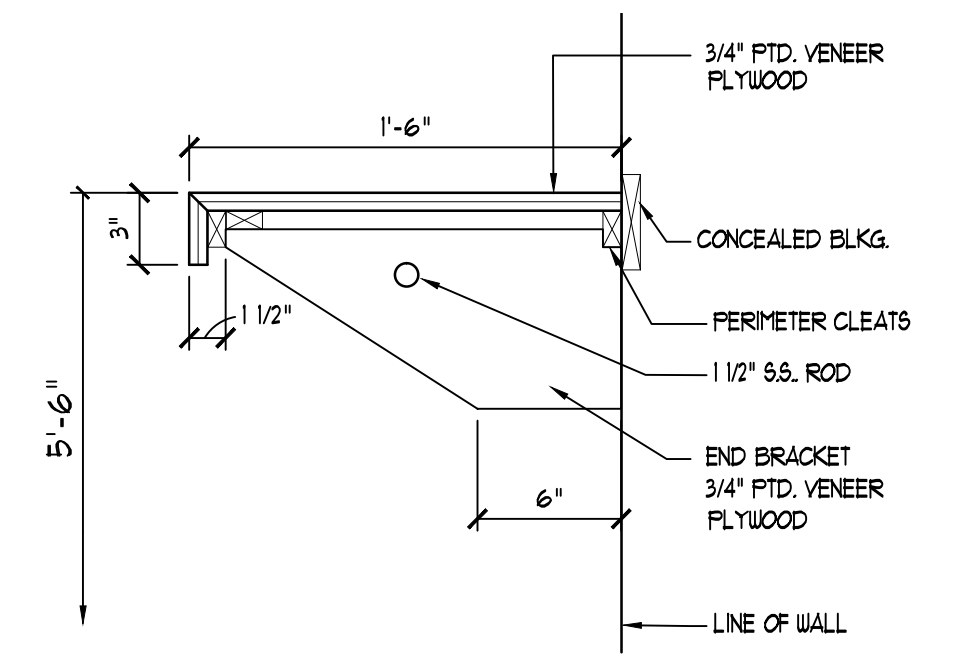
DR & SIDELITE ELEV. - TYPE "A"
SCALE: 1/8" = 1'-0"



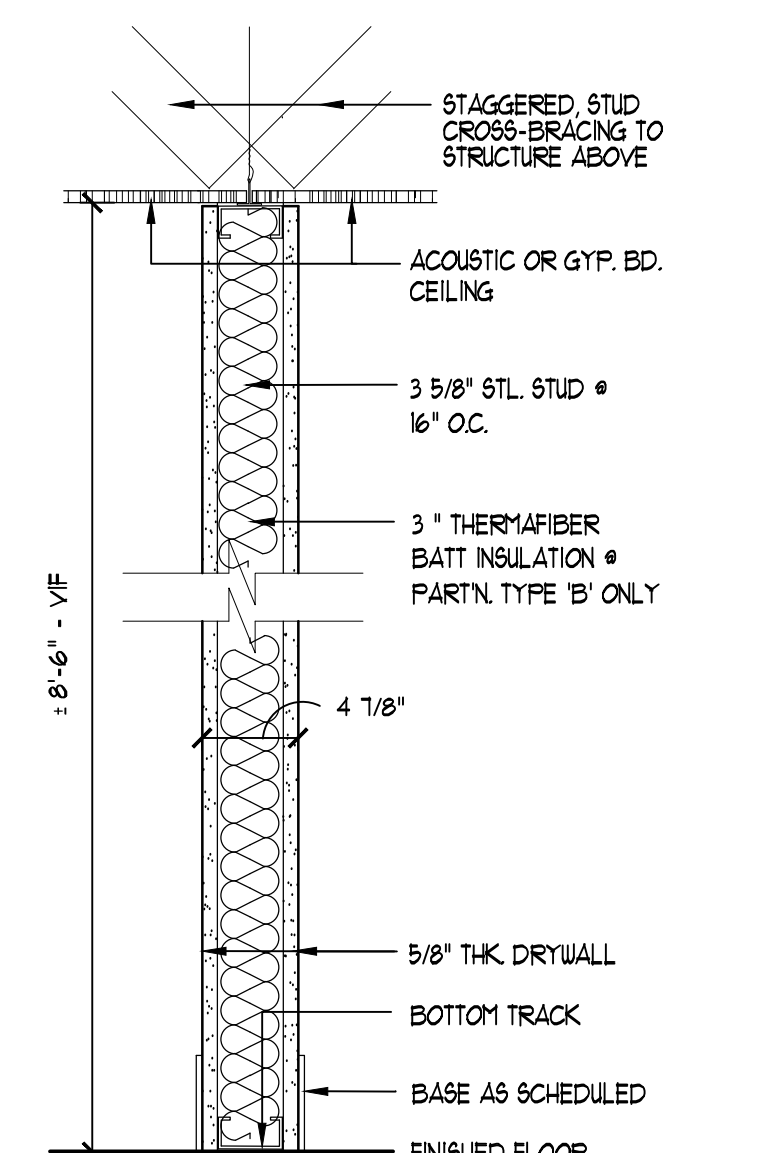
DR ELEV. - TYPE "B"
SCALE: 1/8" = 1'-0"



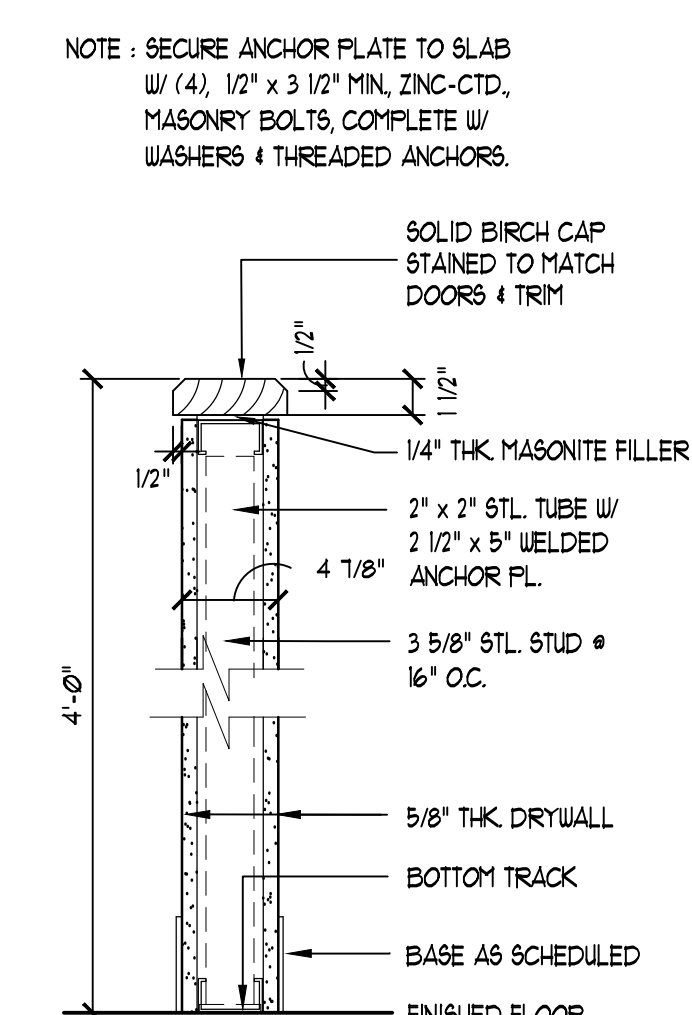
DR/ SIDELITE ELEV. - TYPE "C"
SCALE: 1/8" = 1'-0"



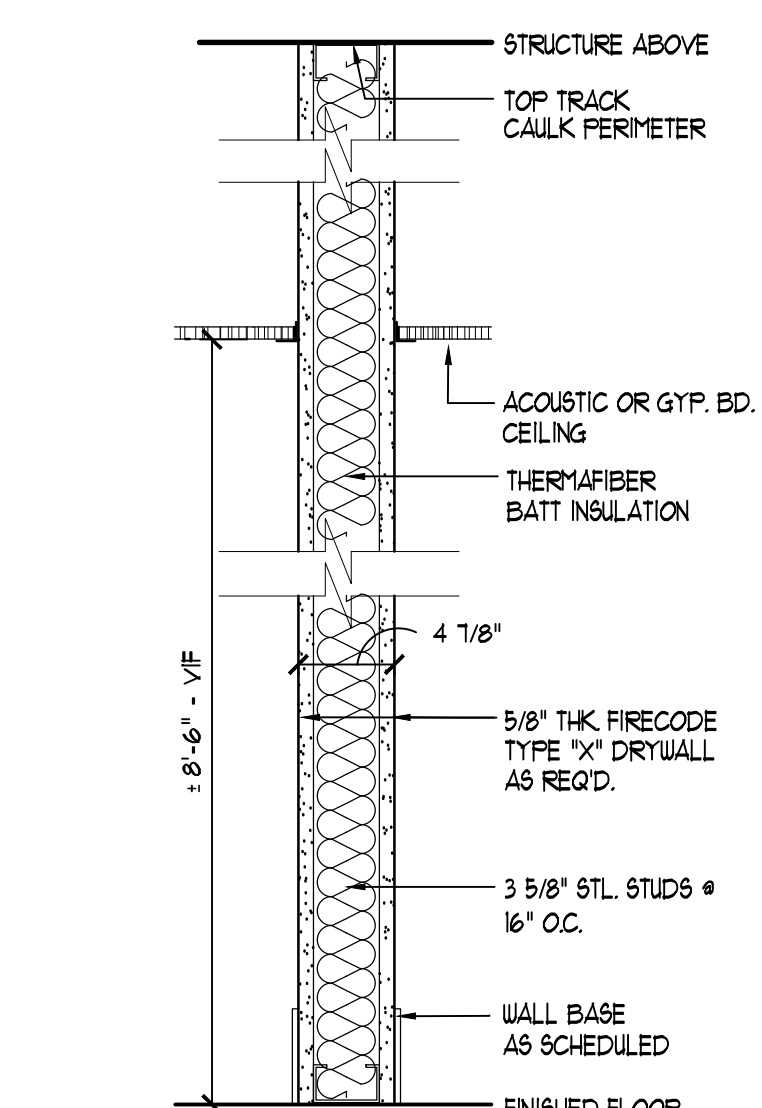
TYP. CONTROL & SHELF
SCALE: 1/2" = 1'-0"



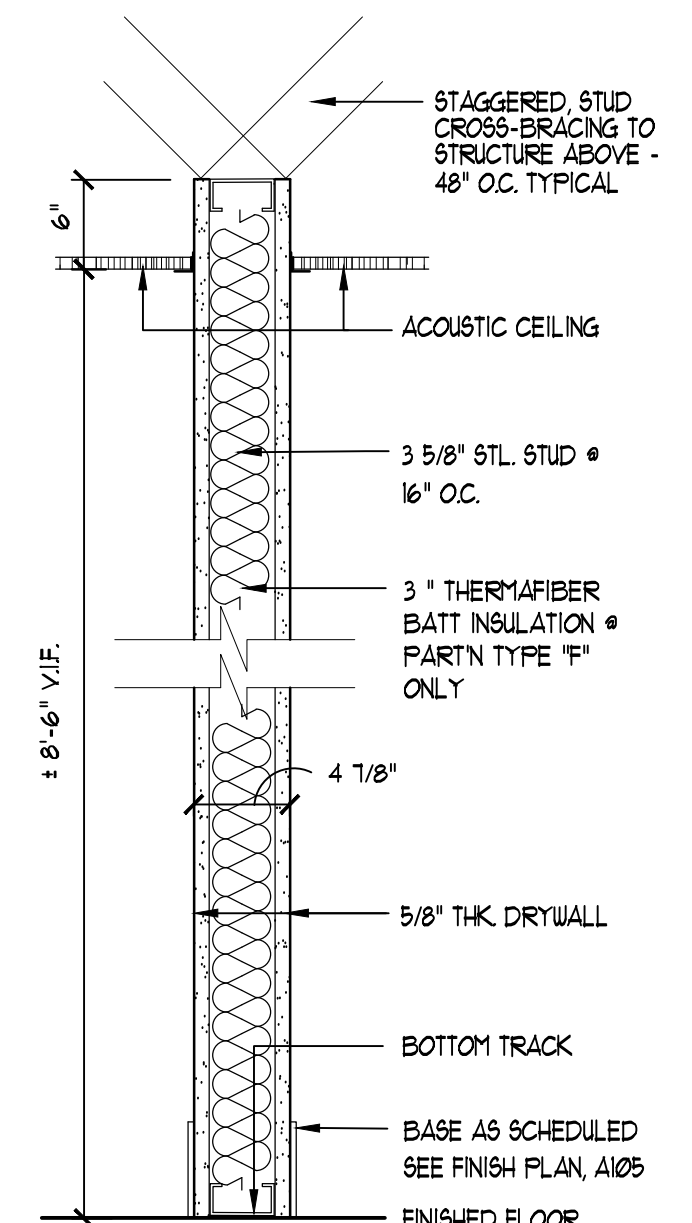
INTERIOR PARTN. TYPE "A"
SCALE: 1/2" = 1'-0"



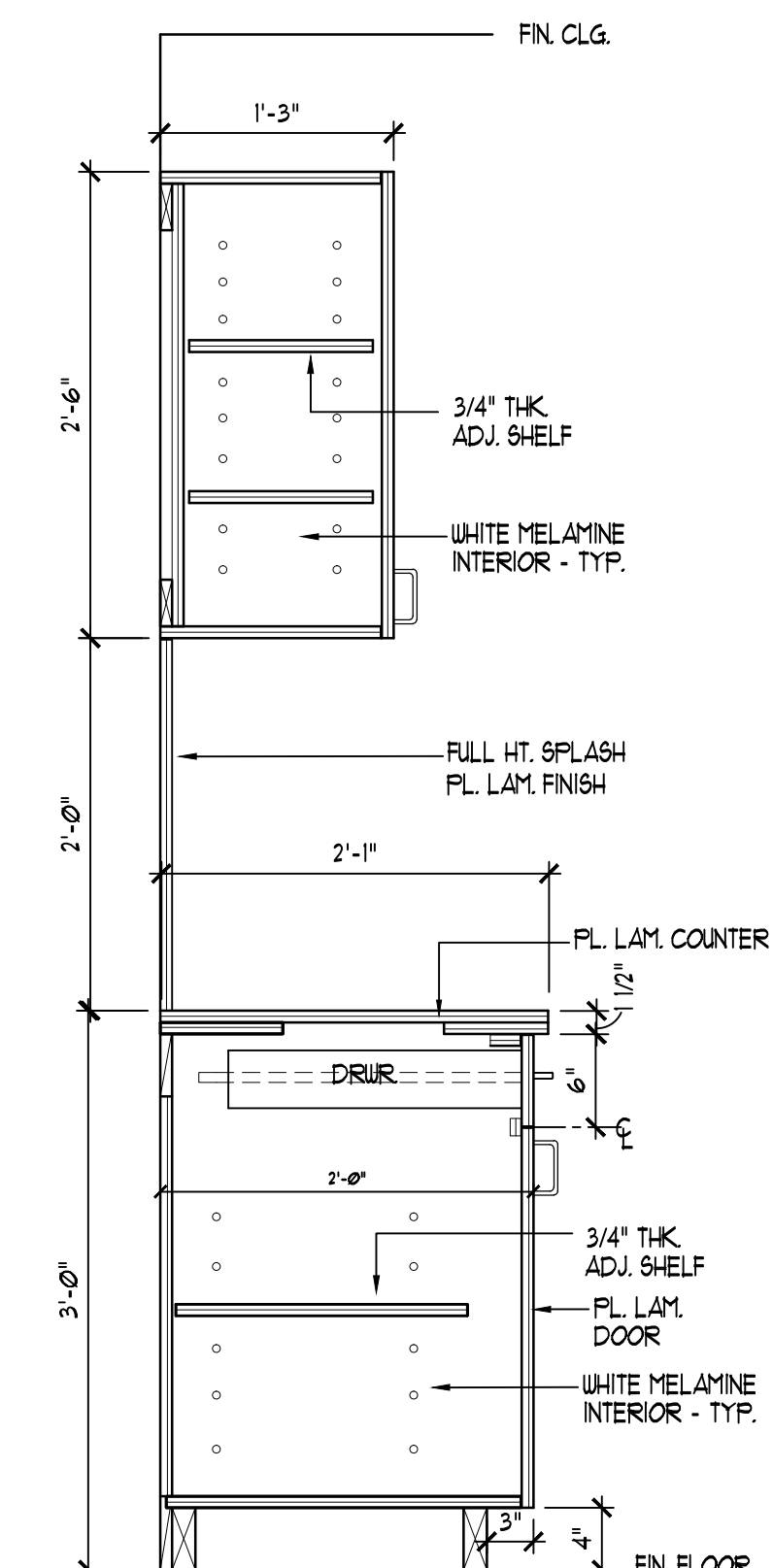
LOW PARTN. TYPE "C"
SCALE: 1/2" = 1'-0"



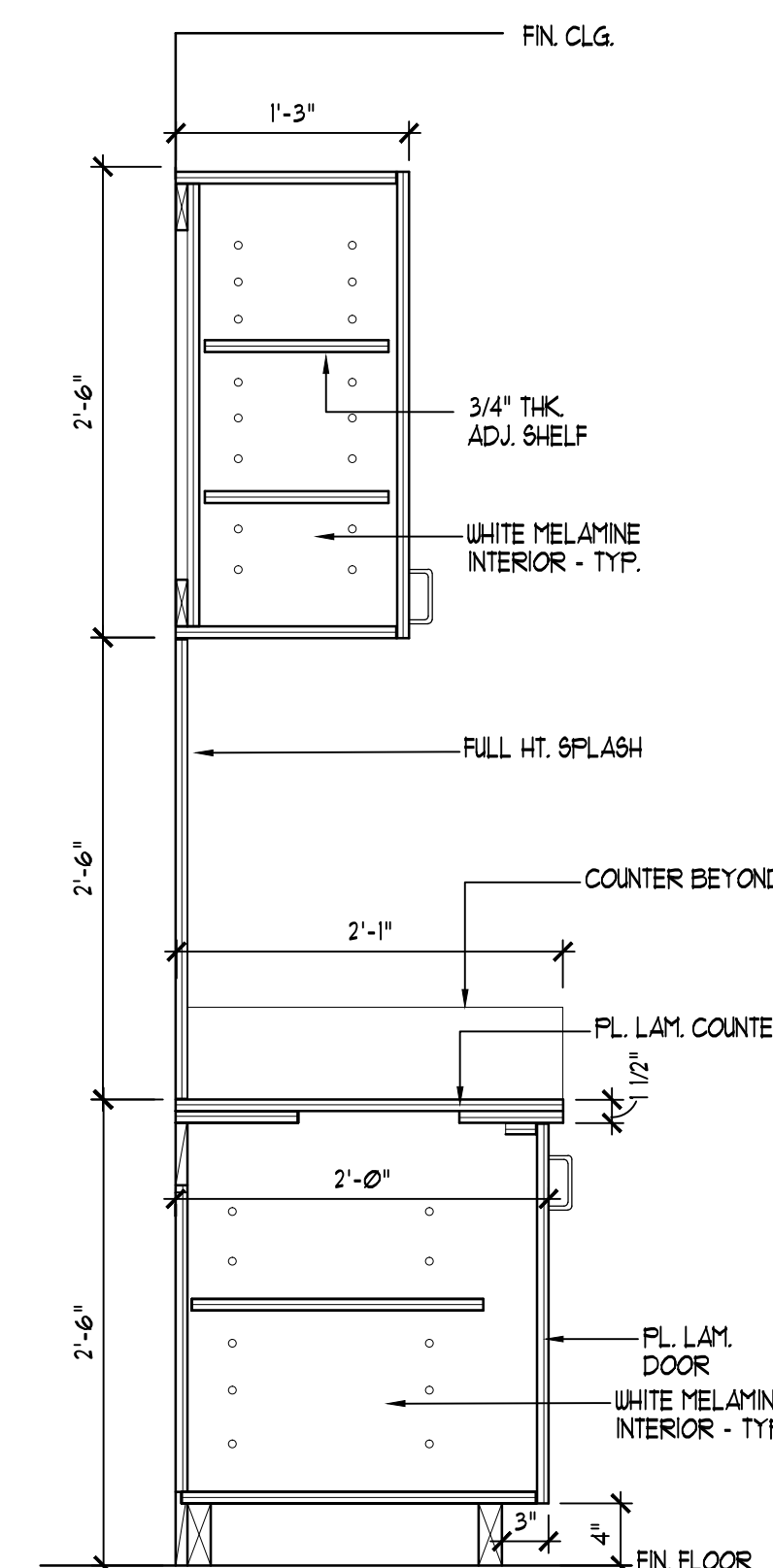
DEMISING PARTN. TYPE "D"
SCALE: 1/2" = 1'-0"



INTERIOR PARTN. TYPE "E"
SCALE: 1/2" = 1'-0"



1 CASEWORK SECTION
SCALE: 1" = 1'-0"



2 CASEWORK SECTION
SCALE: 1" = 1'-0"

INSULATED PARTN. TYPE "B"
SCALE: 1/2" = 1'-0"

INSULATED PARTN. TYPE "F"
SCALE: 1/2" = 1'-0"

ELEVATION & DETAIL SHEET
SCALE: AS NOTED