

DATE: 2017-09-21

REVISIONS:

NO.	DATE	DESCRIPTION	BY

CLIENT NAME:



J+J FIT, LLC
OWNER: JAMIE CALEDA
18 PARKER AVENUE
WARREN, RI 02885
EMAIL: JCALEDA@PUREBARRE.COM

PROJECT NAME:



TWO PORTLAND SQUARE
477 FORE STREET - SUITE 128
PORTLAND, MAINE 04101

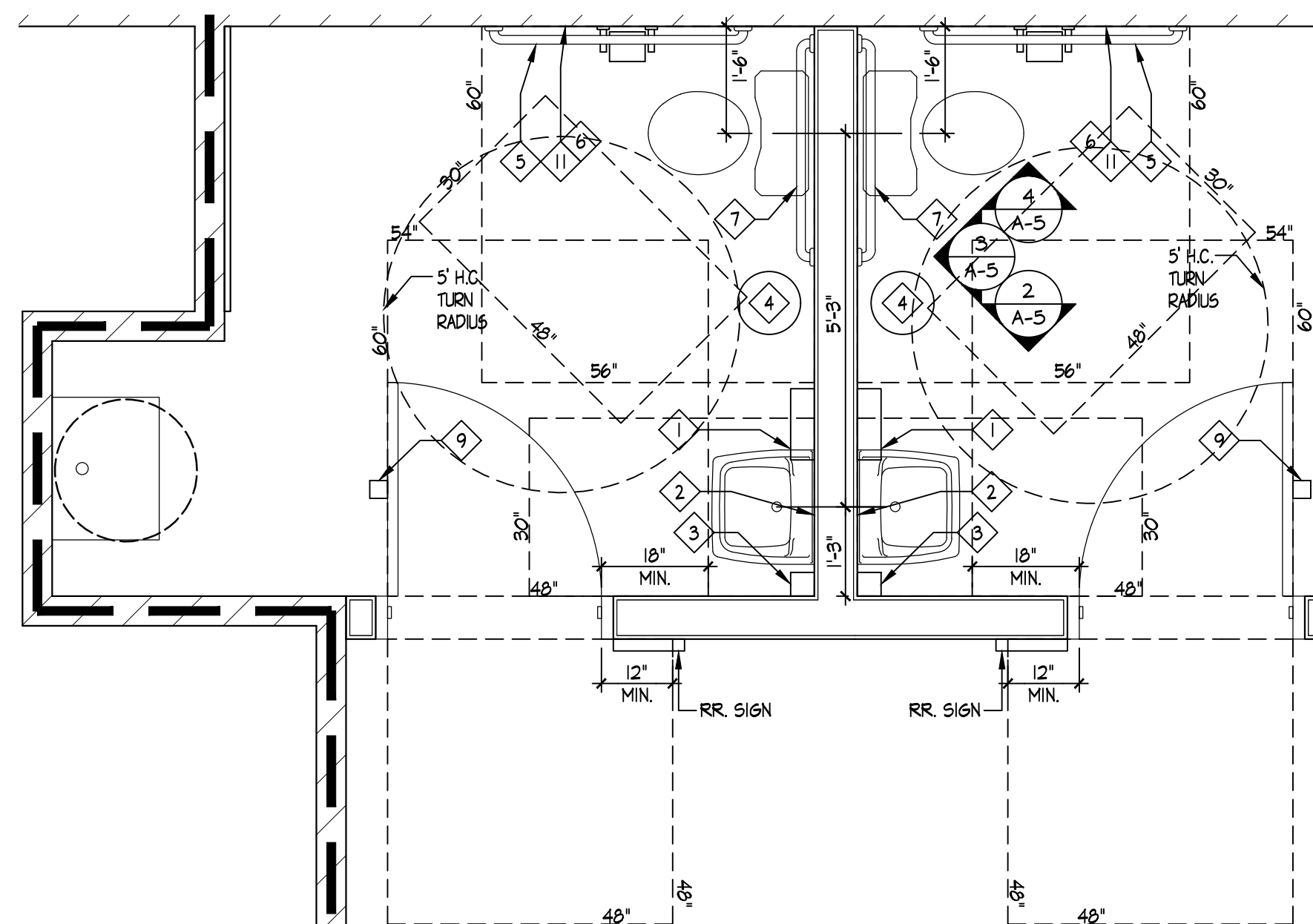
SHEET TITLE:

ENLARGED R.R. PLANS & DETAILS

PROJECT NUMBER: 17-A094

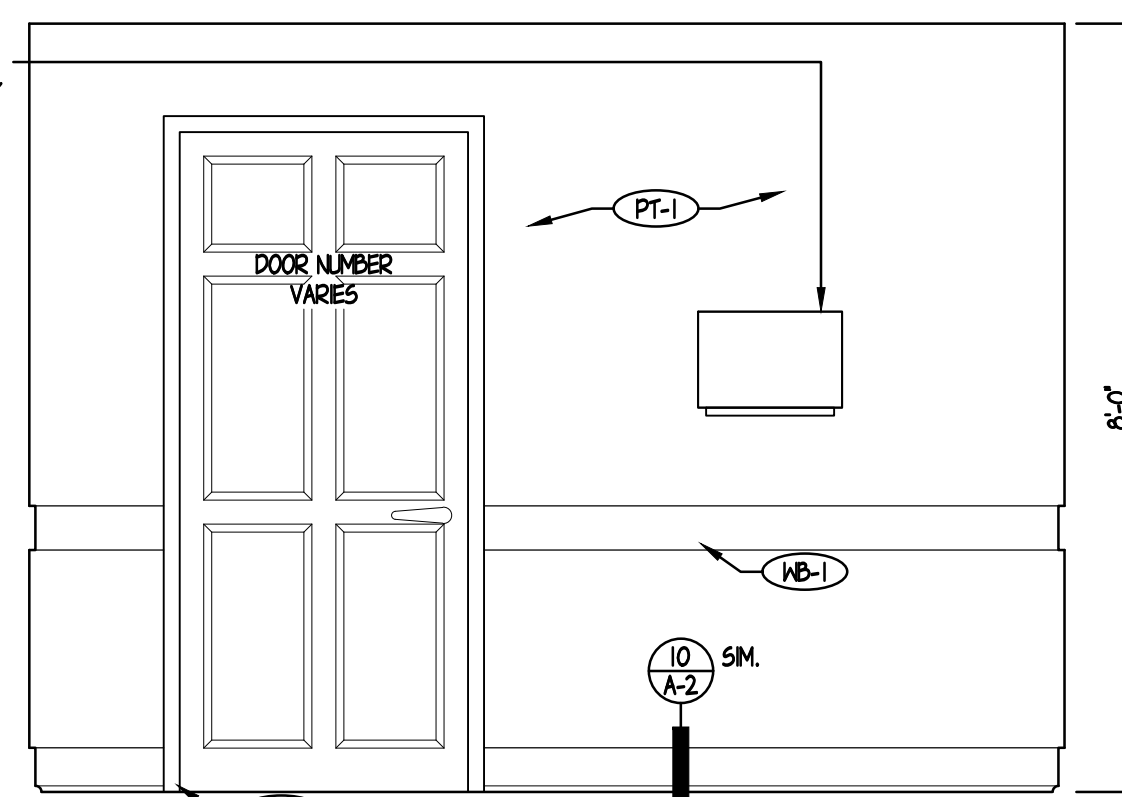
DATE: 2017-09-21

SHEET NO.

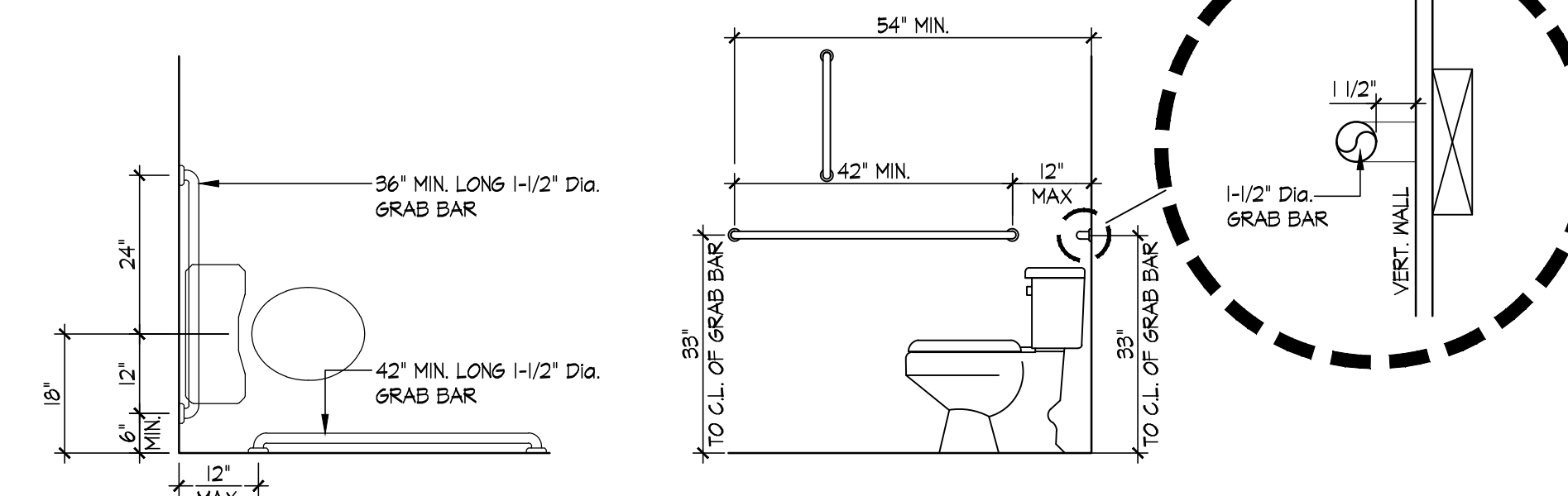


1 ENLARGED R.R. PLAN
SCALE: 1/2" = 1'-0"

PAPER TOWEL DISPENSER
EXACT LOCATION MAY VARY
- SEE SCHEDULE FOR
MOUNTING HEIGHTS

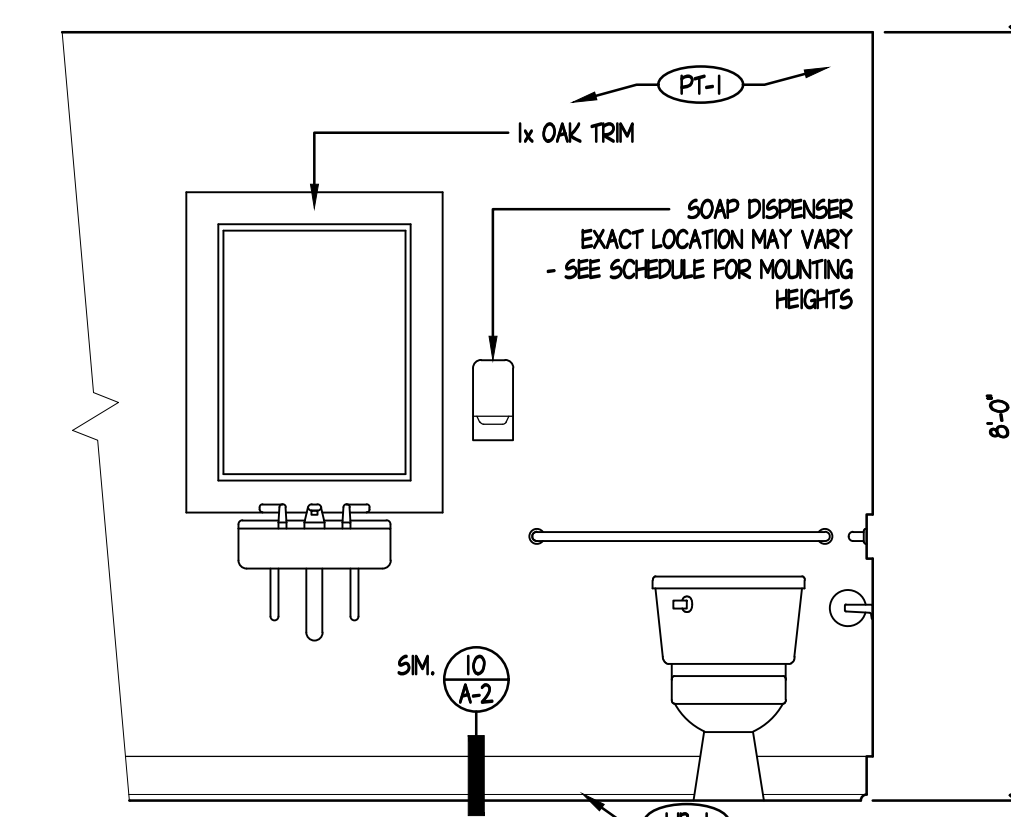


2 TYP. RESTROOM ELEVATION
SCALE: 1/2" = 1'-0"

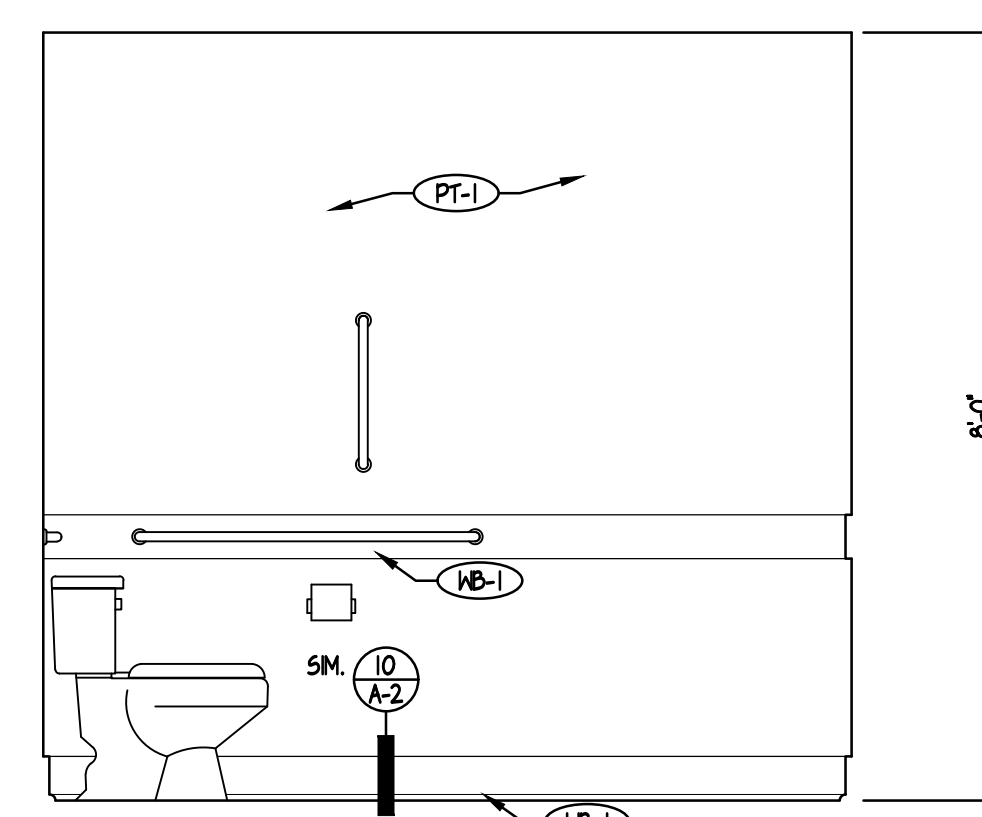


NOTES:

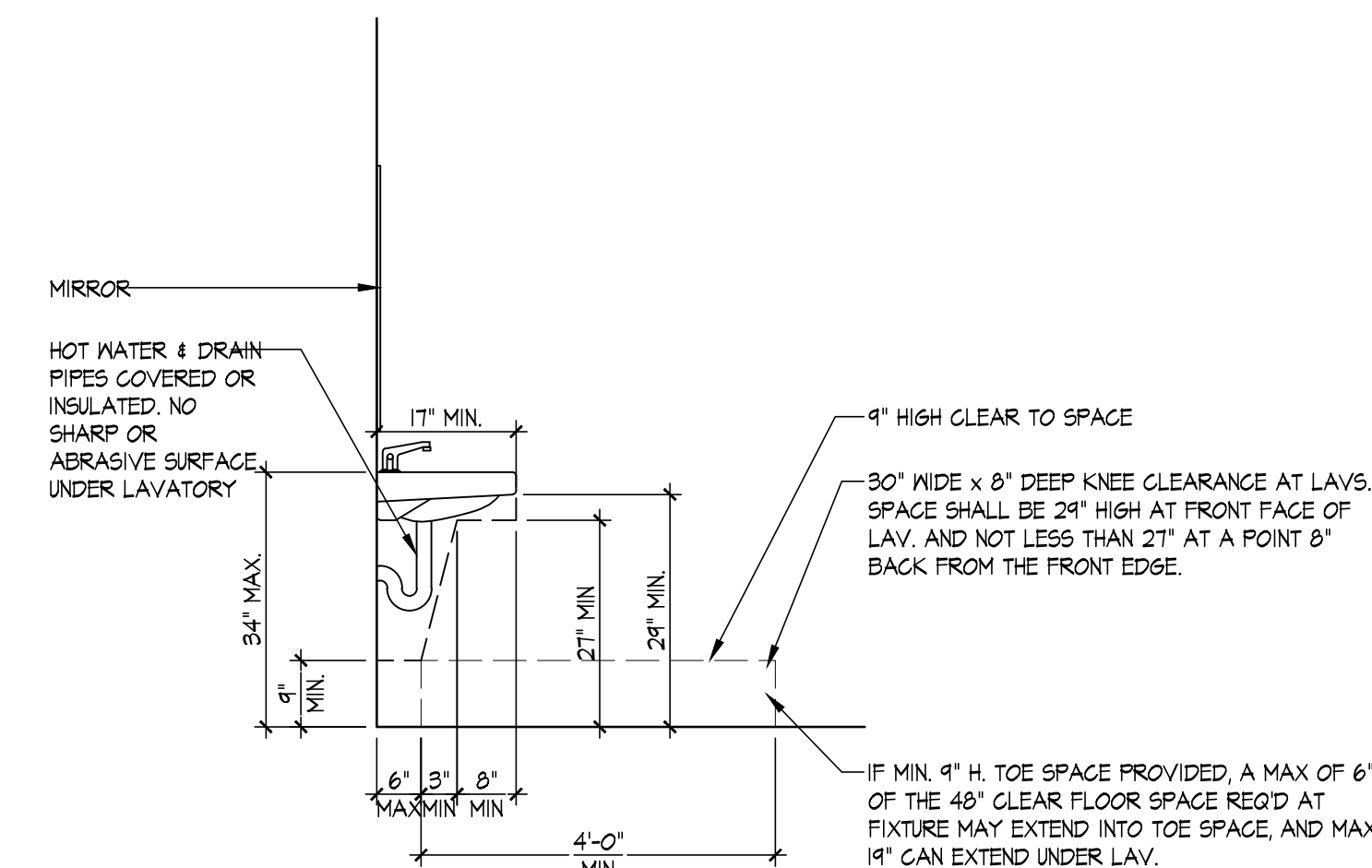
- A. BENDING STRESS IN A GRAB BAR INDUCED BY THE MAXIMUM BENDING MOMENT FROM THE APPLICATION OF 250 LB. POINT LOAD SHALL BE LESS THAN THE ALLOWABLE
- B. SHEAR STRESS INDUCED IN A GRAB BAR BY THE APPLICATION OF A 250 LB. POINT LOAD SHALL BE LESS THAN THE ALLOWABLE SHEAR STRESS FOR THE MATERIAL OF THE GRAB BAR, AND ITS MOUNTING BRACKET OR OTHER SUPPORT IS CONSIDERED TO BE FULLY RESTRAINED, THEN DIRECT AND TORSIONAL SHEAR STRESSES SHALL NOT EXCEED THE ALLOWABLE SHEAR STRESS.
- C. SHEAR FORCE INDUCED IN FASTENER OR MOUNTING DEVICES FROM THE APPLICATION OF A 250 LB. POINT LOAD SHALL BE LESS THAN THE ALLOWABLE WITHDRAWAL LOAD BETWEEN THE FASTENER AND SUPPORTING STRUCTURE.
- D. TENSILE FORCE INDUCED IN A FASTENER BY A DIRECT TENSION FORCE OF A 250 LB. POINT LOAD, PLUS THE MAXIMUM MOMENT FROM THE APPLICATION OF A 250 LB. POINT LOAD, SHALL BE LESS THAN THE ALLOWABLE WITHDRAWAL LOAD BETWEEN THE FASTENER AND SUPPORTING STRUCTURE
- E. GRAB BARS AND WALL OR OTHER SURFACE ADJACENT TO THEM SHALL BE FREE OF ANY SHARP OR ABRASIVE ELEMENTS. EDGES SHALL HAVE A MINIMUM RADIUS OF 1/8"
- F. GRAB BAR LENGTHS INDICATED SHALL NOT INCLUDE ANY MOUNTING CURVATURE, MINIMUM DIMENSIONS APPLY TO STRAIGHT LENGTH OF BAR.



3 TYP. RESTROOM ELEVATION
SCALE: 1/2" = 1'-0"

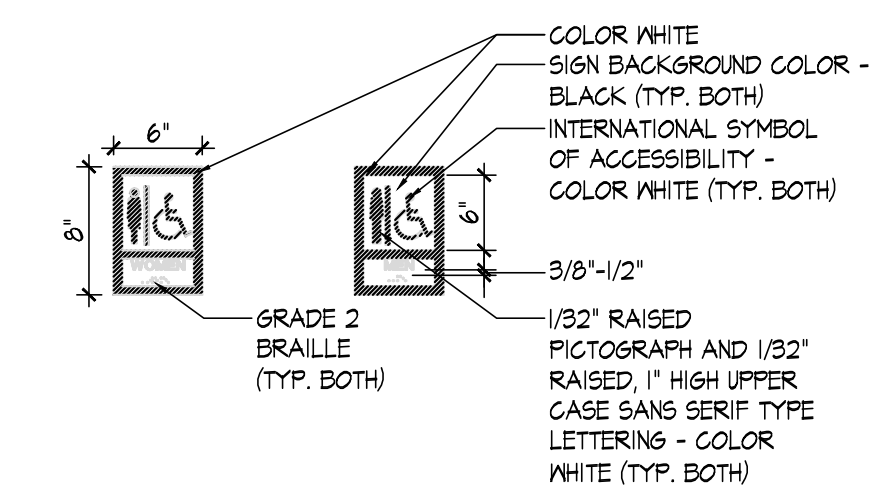


4 TYP. RESTROOM ELEVATION
SCALE: 1/2" = 1'-0"



* NOTE: LAVS TO COMPLY WITH FEG

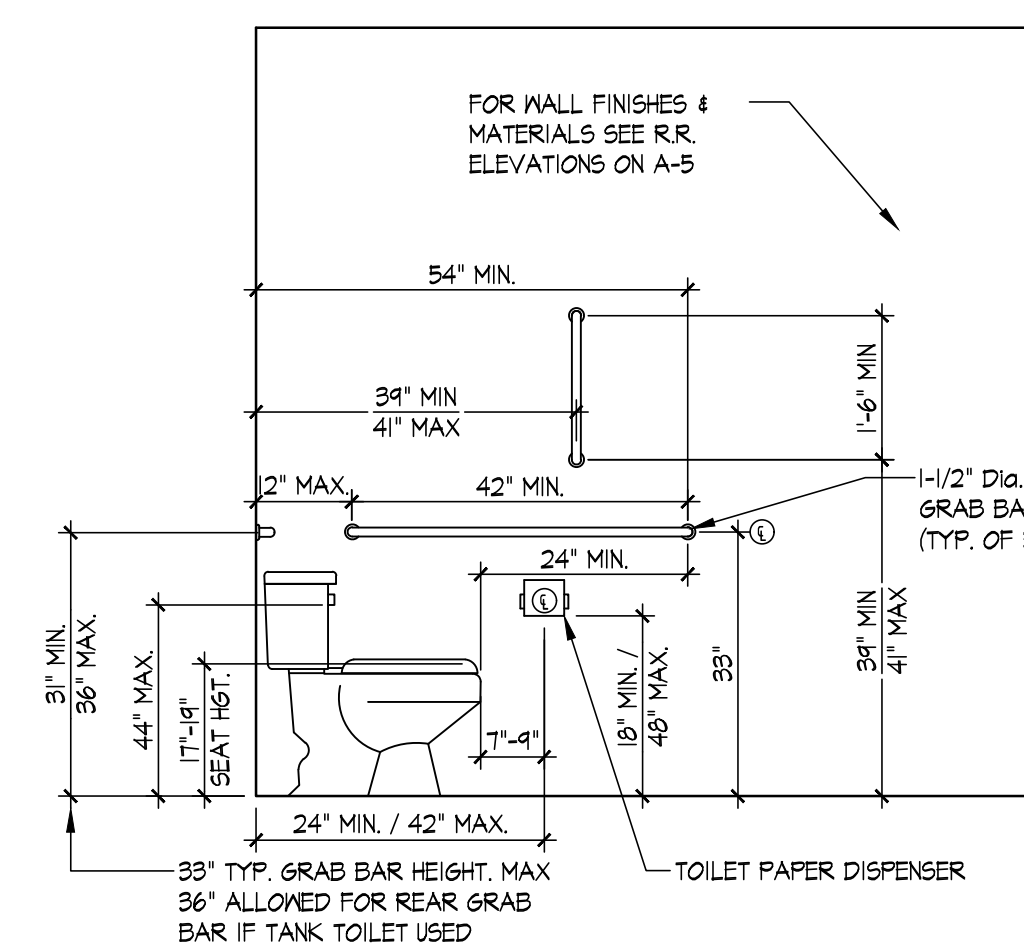
- NOTES:
- 1. FAUCET CONTROLS AND OPERATING MECHANISMS SHALL BE OPERABLE WITH ONE HAND AND SHALL NOT REQUIRE TIGHT GRASPING PINCHING OR TWISTING OF THE WRIST.
 - 2. FORCE REQUIRED TO OPERATE SHALL NOT EXCEED 5 LBF LEVER OPERATED, PUSH-TYPE
 - 3. ELECTRONICALLY CONTROLLED MECHANISMS ARE ACCEPTABLE EXAMPLES. SELF CLOSING VALVES ARE ALLOWED IF THE FAUCET REMAINS OPEN FOR AT LEAST 10 SECONDS.



ACCESSIBLE DOOR SIGNAGE

NOTE:

- 1. SIGN TO BE MOUNTED @ 48" MIN. AFF TO BASELINE OF LOWEST BRAILLE LINE & 60" MAX AFF TO BASELINE OF HIGHEST LINE OF RAISED CHARACTERS.
- 2. SIGN SHALL BE 4" FROM NEAREST EDGE OF DOOR FRAME TO CENTERLINE OF SIGN - TYP.
- 3. SIGNS SHALL CONFORM TO ANSI OR LOCAL ACCESSIBILITY GUIDELINES, WHICHEVER IS MORE STRINGENT.
- 4. ALL BUILDINGS AND ENTRANCES THAT ARE ACCESSIBLE AND USABLE BY PERSONS WITH DISABILITIES SHALL BE IDENTIFIED WITH A MINIMUM OF ONE INTERNATIONAL SYMBOL OF ACCESSIBILITY, S.C. TO PROVIDE TACTILE "EXIT" SIGNS AT ALL GRADE LEVEL EXIT DOORS PER CODE.
- 5. SIGNS TO BE INSTALLED ON THE LATCH SIDE OF THE DOOR, OR IF NO SPACE IS AVAILABLE, ON THE NEAREST WALL - PREFERABLY ON THE RIGHT. SIGNAGE SHALL HAVE NON-GLARE FINISH W/ A CONTRASTING BACKGROUND.



TOILET ROOM NOTES:

- 1. NO TILE ON WALLS
- A.A. F BATHROOM FLOORS ARE IN BAD CONDITION AND CANNOT BE STAINED, TILE WILL BE ALLOWED ON THE FLOOR ONLY W/ TILE BASE.
- A.B. ALL BATHROOM WALLS WILL BE PAINTED AS SPECIFIED AND INSTALL 1/6" CHAIR RAIL AT SAME HEIGHT AS ADA GRAB BAR.
- A.C. NO CHAIR RAIL AT WALL WHERE SINK OR TOILET IS LOCATED
- A.D. F BATHROOM FLOORS ARE STAINED, USE OAK BASE
- 2. OAK BASE, CHAIR RAIL, CASING
- 3. ANY AREAS THAT HAVE CONTACT W/ WATER OR MASONRY WHERE OAK TRIM WILL BE INSTALLED MUST BE COATED ON ALL SIDES W/ SAND AND SEALER TO KEEP WOOD FROM CLIPPING.

BATH ACCESSORIES

NUMBER	DESCRIPTION	MOUNTING HEIGHT
1	PAPER TOWEL DISP - GEDY - GE 2436 - CHROME - BY G.C.	48" A.F.F. TO TOWELS
2	MIRROR - BOBRICK (OR EQUAL) - B-280-18-30 - BY G.C.	38" A.F.F. TO BTM EDGE OF REFLECTIVE SURFACE
3	SOAP DISPENSER - GEDY - FEB1-13 - BY G.C.	38" A.F.F. TO SOAP
4	ADA COMPLIANT TRASH CAN - CLOSABLE LID IS REQUIRED, CANNOT BE A FOOT ACTIVATED LID - BY OWNER	
5	42" GRAB BAR (STAINLESS STEEL) - BOBRICK B-6806-42" 304 - PROVIDED & INSTALLED BY G.C.	33"-36" TO TOP OF BAR
6	TOILET PAPER DISPENSER - GEDY - GE 24-13 - BY G.C. - CONTINUOUS FLOW TYPE	15"-48" A.F.F. TO BOTTOM OF ROLL
7	36" GRAB BAR (STAINLESS STEEL) - BOBRICK B-6806-36" 304 - PROVIDED & INSTALLED BY G.C.	33"-36" TO TOP OF BAR
8	NOT USED	
9	CLOTHES HOOK - BOBRICK B233 - MT. BACK OF DOOR - PROVIDED & INSTALLED BY G.C. (OPTIONAL)	48" MAX. A.F.F.
10	NOT USED	
11	18" (VERT) GRAB BAR (STAINLESS STEEL) - BOBRICK B-6806-18" 304 - PROVIDED & INSTALLED BY G.C.	39" MIN. - 41" MAX. A.F.F. TO BOTTOM VERT. EDGE 39" MIN. - 41" MAX. FROM REAR WALL TO C.L. OF BAR
12	NOT USED	

NOTES:

- 1. PROVIDE BLOCKING AND ANCHORS TO ATTACH ALL ACCESSORIES. ATTACH ACCESSORIES TO STUDS AT EXISTING WALLS OR PROVIDE TOGGLE BOLT TYPE ANCHORS TO PREVENT PULL-OUT. IF MOUNTING GRAB BARS INTO EXISTING WALLS, USE BOBRICK "WINGIT" GRAB BAR FASTENING SYSTEM OR EQUAL.
- 2. PER CODE, ALL PIPES & FAUCETS SHALL BE WRAPPED - EQUIVALENT TO TRELEBO - LAV GUARD 2 - PH (800) 340-5969