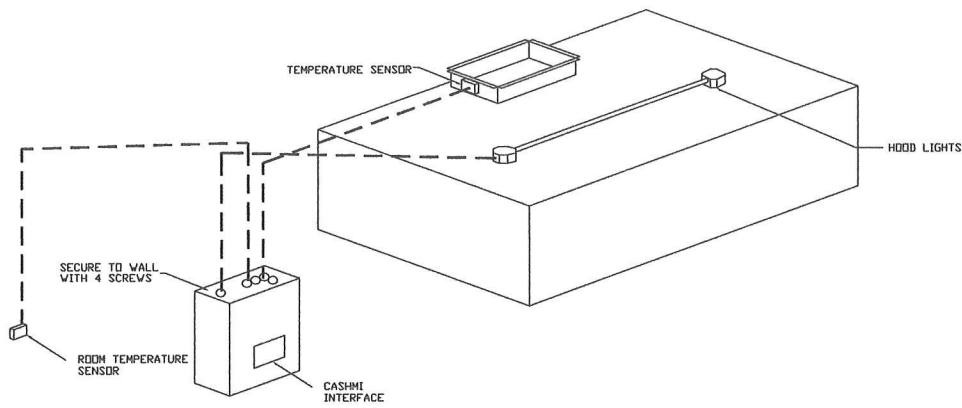


# Page 8 ELECTRICAL

**ELECTRICAL PACKAGES - Job#2552917**

NO.	TAG	PACKAGE #	LOCATION	SWITCHES		OPTION	FANS CONTROLLED				
				LOCATION	QUANTITY		TYPE	Ø	H.P.	VOLT	FLA
1		SC-210110FP	Wall Mount In SS Box	SS Wall Mount Box	1 Light 1 Fan	Smart Controls Thermostatic Control	Exhaust	1	1.500	230	10.2



**WALL MOUNTED CONTROL CENTER**

**CUSTOMER APPROVAL TO MANUFACTURE:**

Approved as Noted

Approved with NO Exception Taken

Revise and Resubmit

SIGNATURE \_\_\_\_\_

Your Title \_\_\_\_\_ Date \_\_\_\_\_

  		JOB Lost Cupcake	
		LOCATION Lewiston, ME,	
		DATE 2/1/2016	JOB # 2552917
		DWG # 5	DRAWN BY BFC-21
REV.		SCALE 3/8" = 1'-0"	