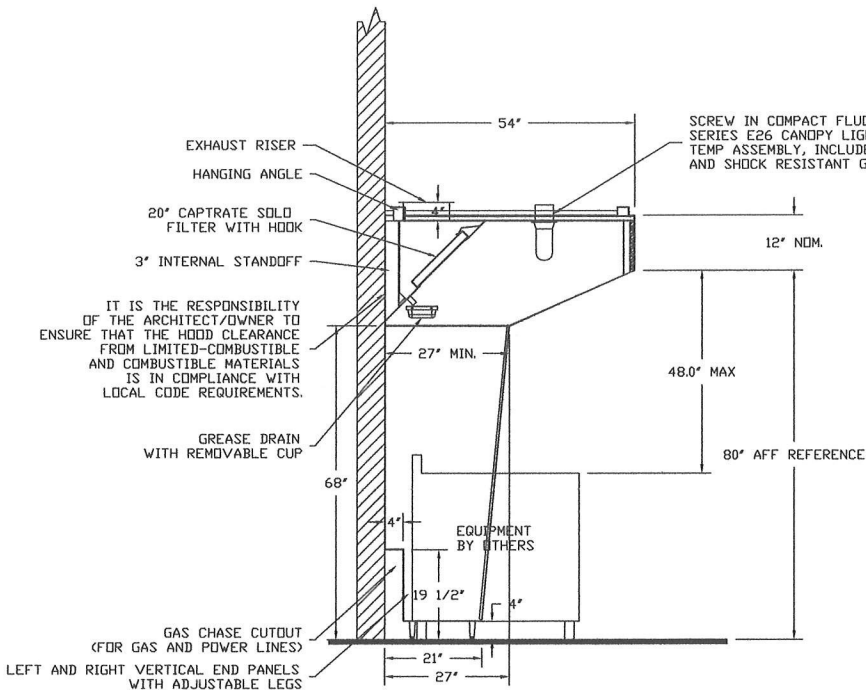


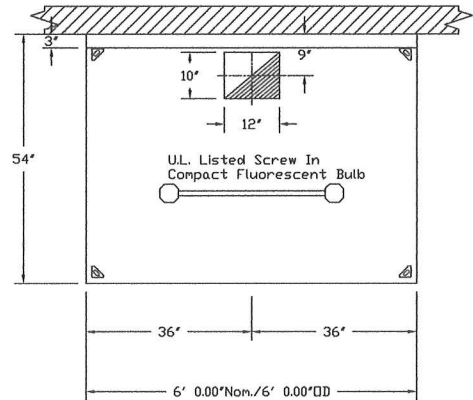
# Page 6 HOOD DETAIL



SCREW IN COMPACT FLUORESCENT BULB, L55 SERIES E26 CANDOPY LIGHT FIXTURE - HIGH TEMP ASSEMBLY, INCLUDES CLEAR THERMAL AND SHOCK RESISTANT GLOBE

IT IS THE RESPONSIBILITY OF THE ARCHITECT/OWNER TO ENSURE THAT THE HOOD CLEARANCE FROM LIMITED-COMBUSTIBLE AND COMBUSTIBLE MATERIALS IS IN COMPLIANCE WITH LOCAL CODE REQUIREMENTS.

**SECTION VIEW - MODEL 5412SND-2  
HOOD - #1**



**PLAN VIEW - Hood #1  
6' 0.00" LONG 5412SND-2**

CUSTOMER APPROVAL TO MANUFACTURE:	
Approved as Noted	<input type="checkbox"/>
Approved with NO Exception Taken	<input type="checkbox"/>
Revise and Resubmit	<input type="checkbox"/>
SIGNATURE _____	
Your Title _____	Date _____

	<b>CAPTIVEAIRE</b>	
	JOB: Lost Cupcake	
	LOCATION: Lewiston, ME,	
	DATE: 2/1/2016	JOB #: 2552917
	DWG #: 2	DRAWN BY: BFC-21
	REV.	SCALE: 3/8" = 1'-0"