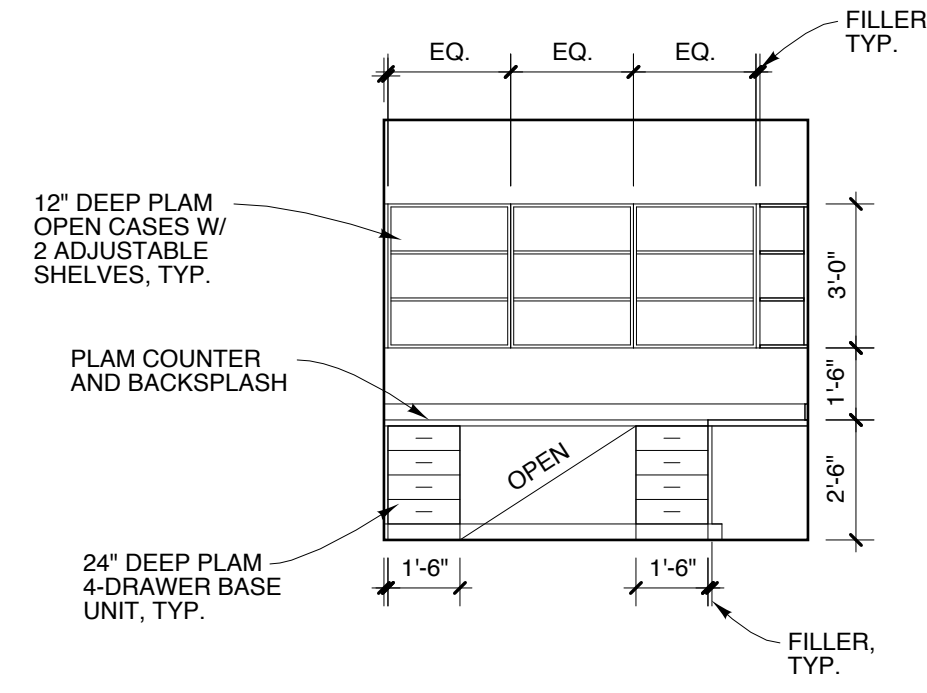
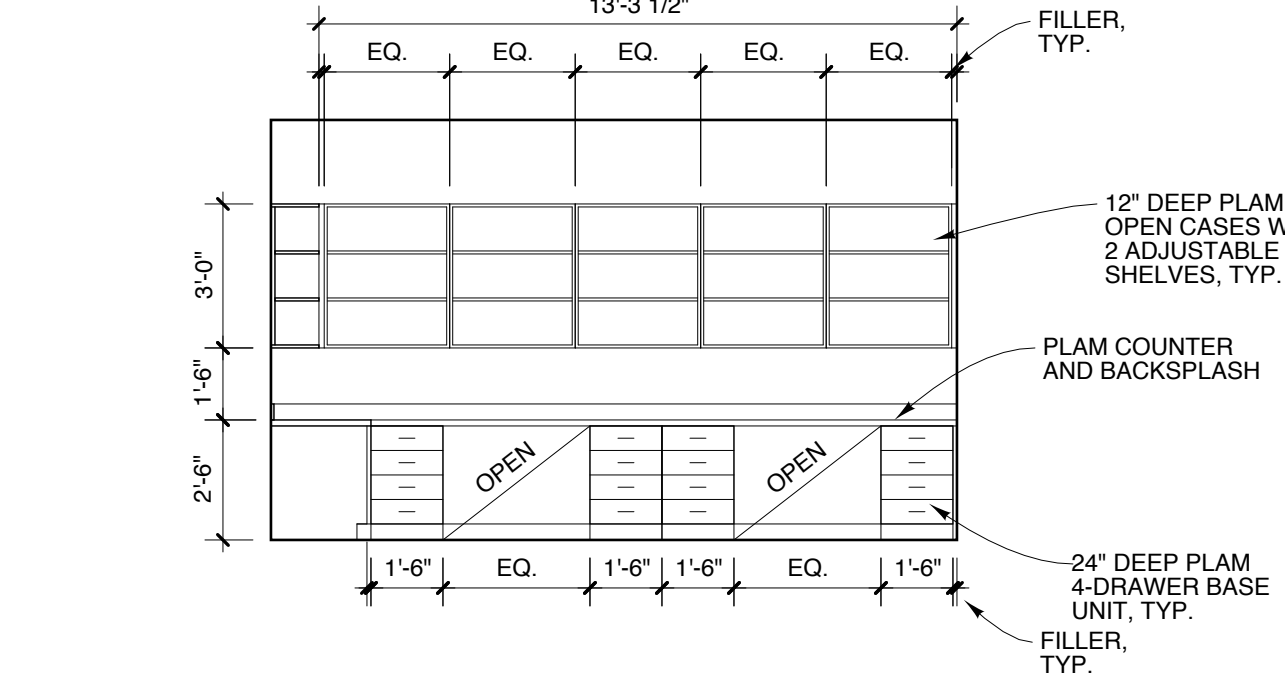


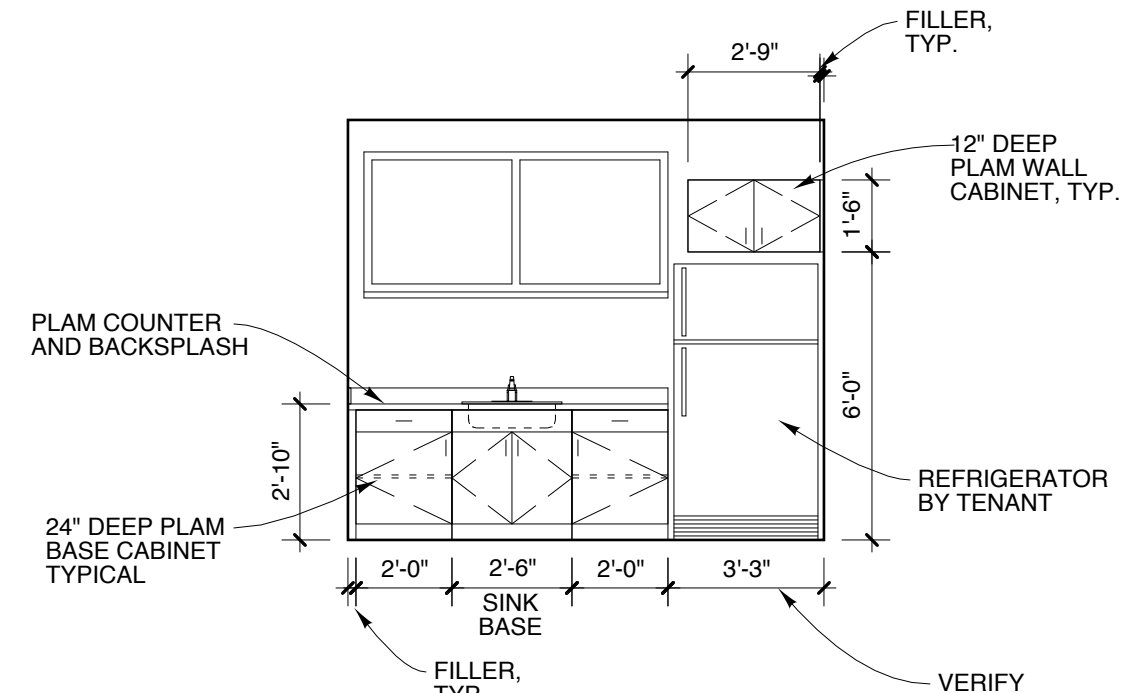
1 ELEVATION
SCALE: 1/4" = 1'-0"
1' 2' 4' 8'



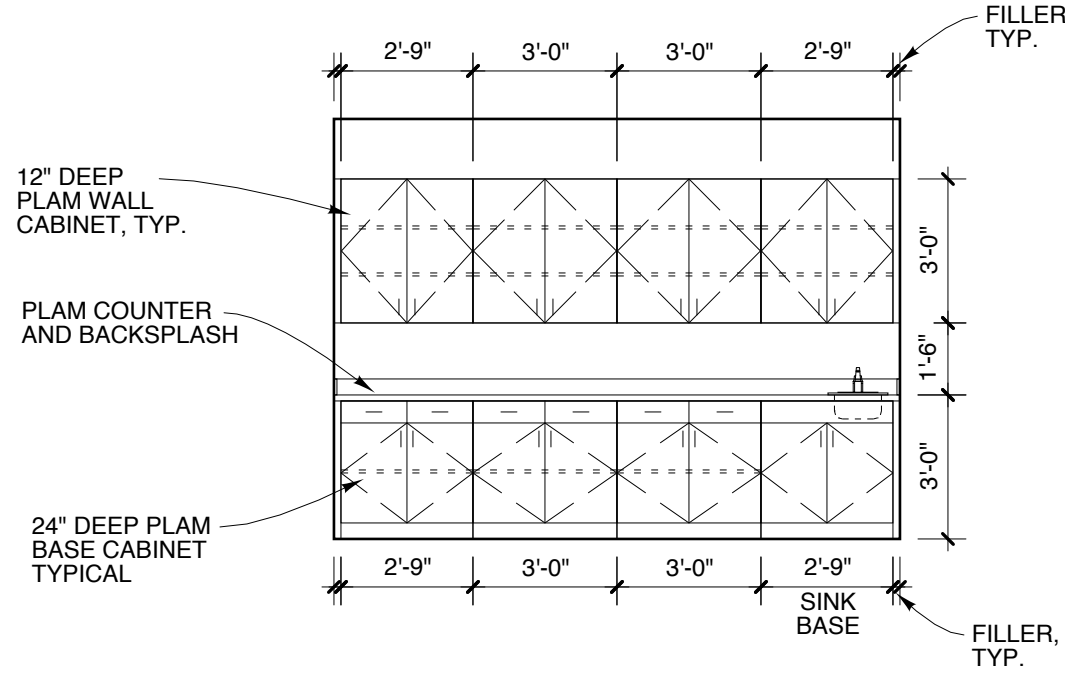
2 ELEVATION
SCALE: 1/4" = 1'-0"
1' 2' 4' 8'



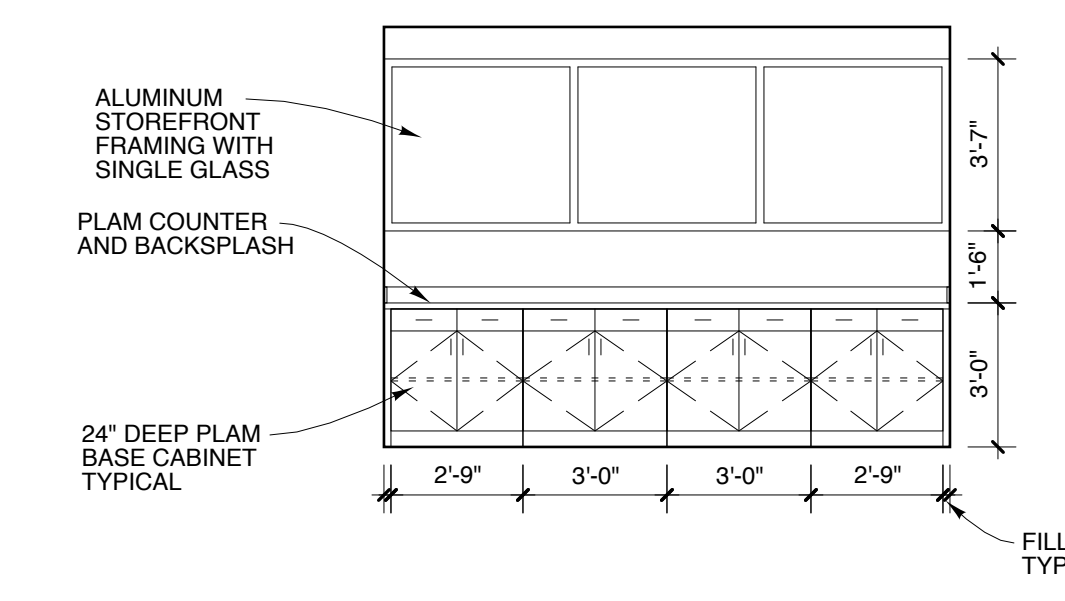
3 ELEVATION
SCALE: 1/4" = 1'-0"
1' 2' 4' 8'



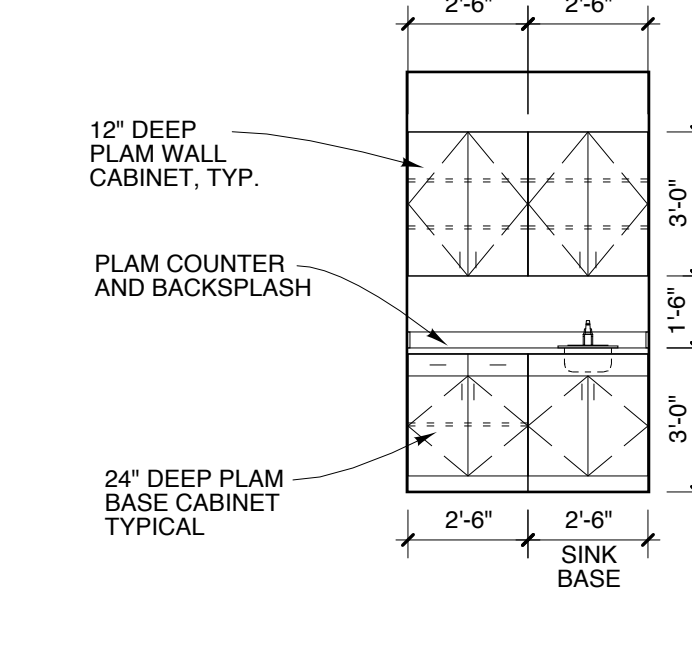
4 ELEVATION
SCALE: 1/4" = 1'-0"
1' 2' 4' 8'



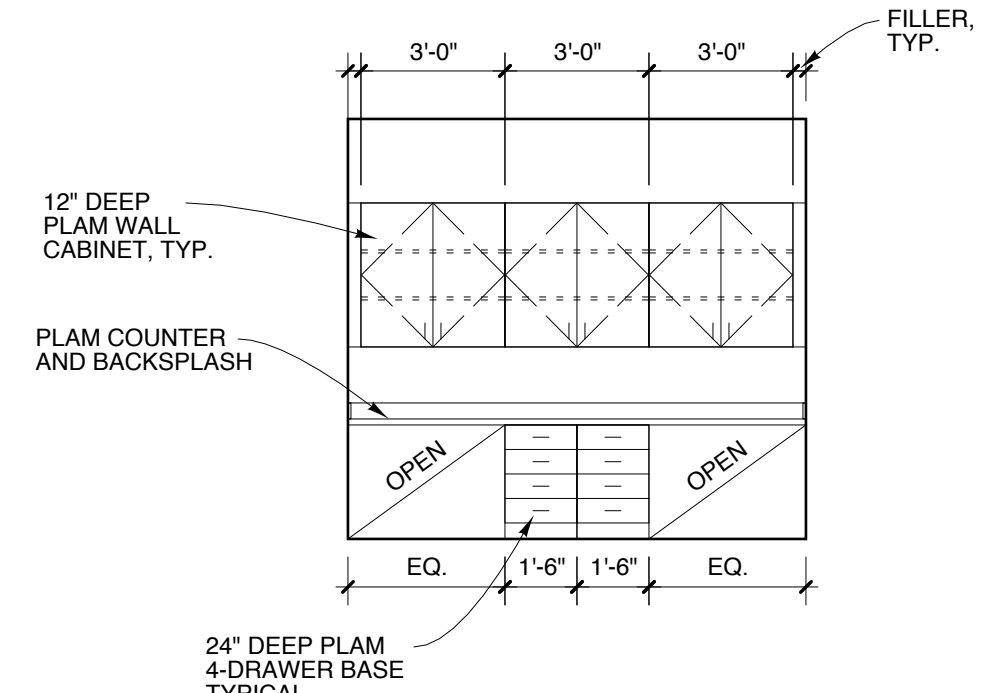
5 ELEVATION
SCALE: 1/4" = 1'-0"
1' 2' 4' 8'



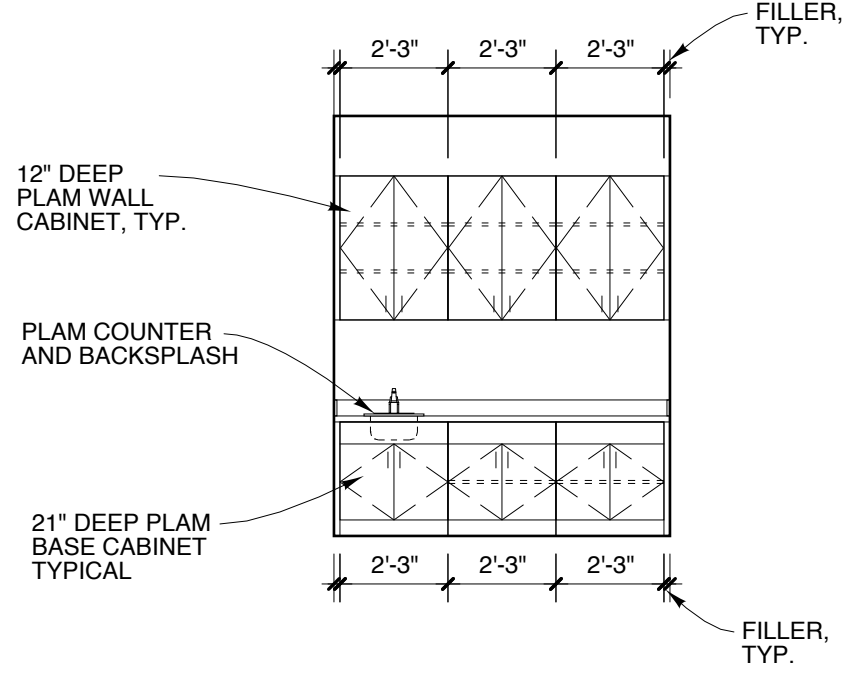
6 ELEVATION
SCALE: 1/4" = 1'-0"
1' 2' 4' 8'



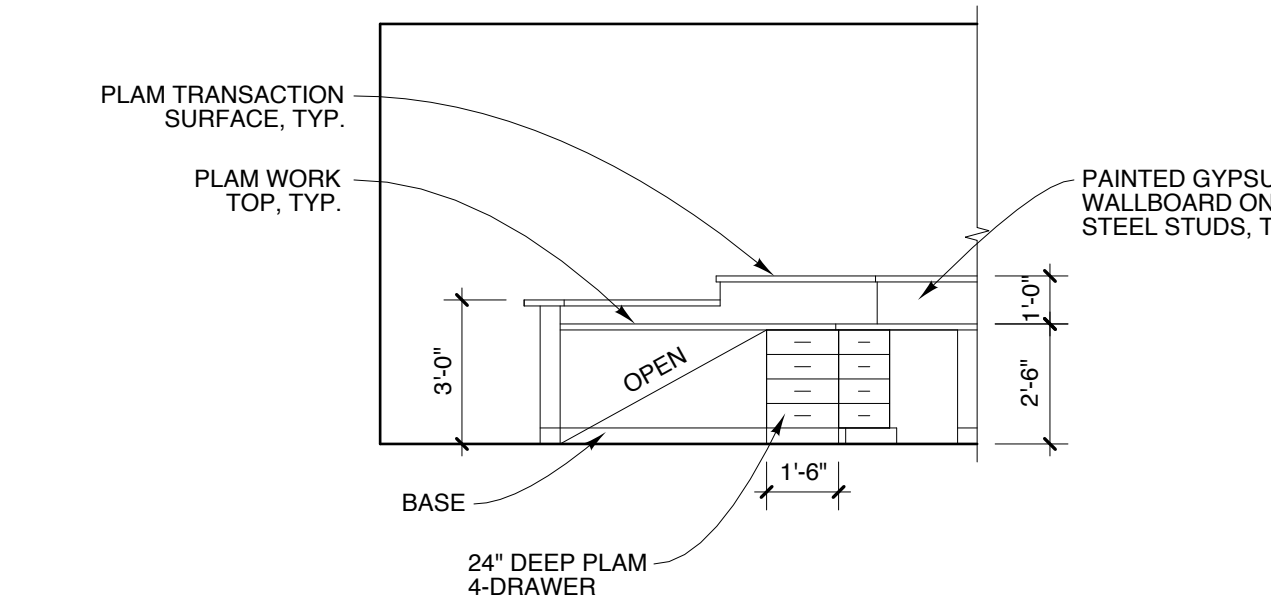
7 ELEVATION
SCALE: 1/4" = 1'-0"
1' 2' 4' 8'



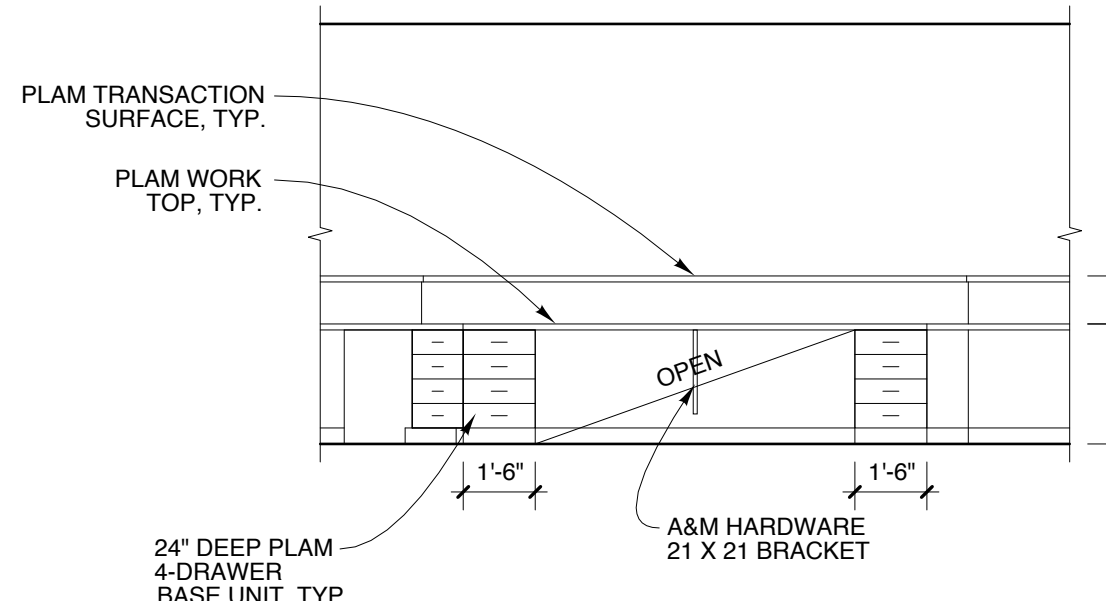
8 ELEVATION
SCALE: 1/4" = 1'-0"
1' 2' 4' 8'



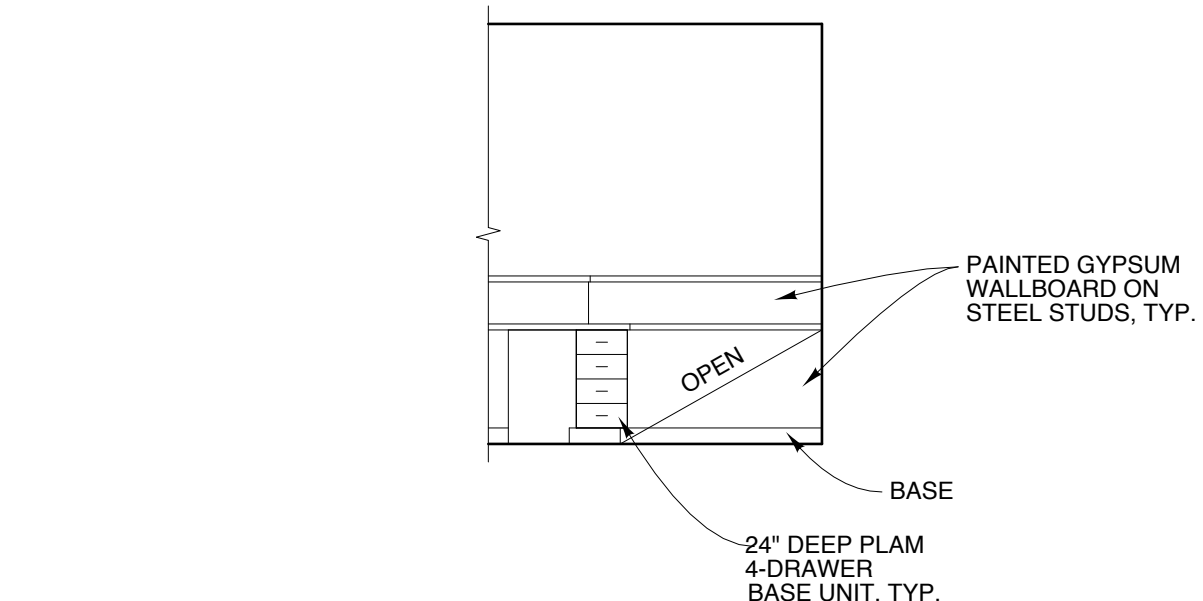
9 ELEVATION
SCALE: 1/4" = 1'-0"
1' 2' 4' 8'



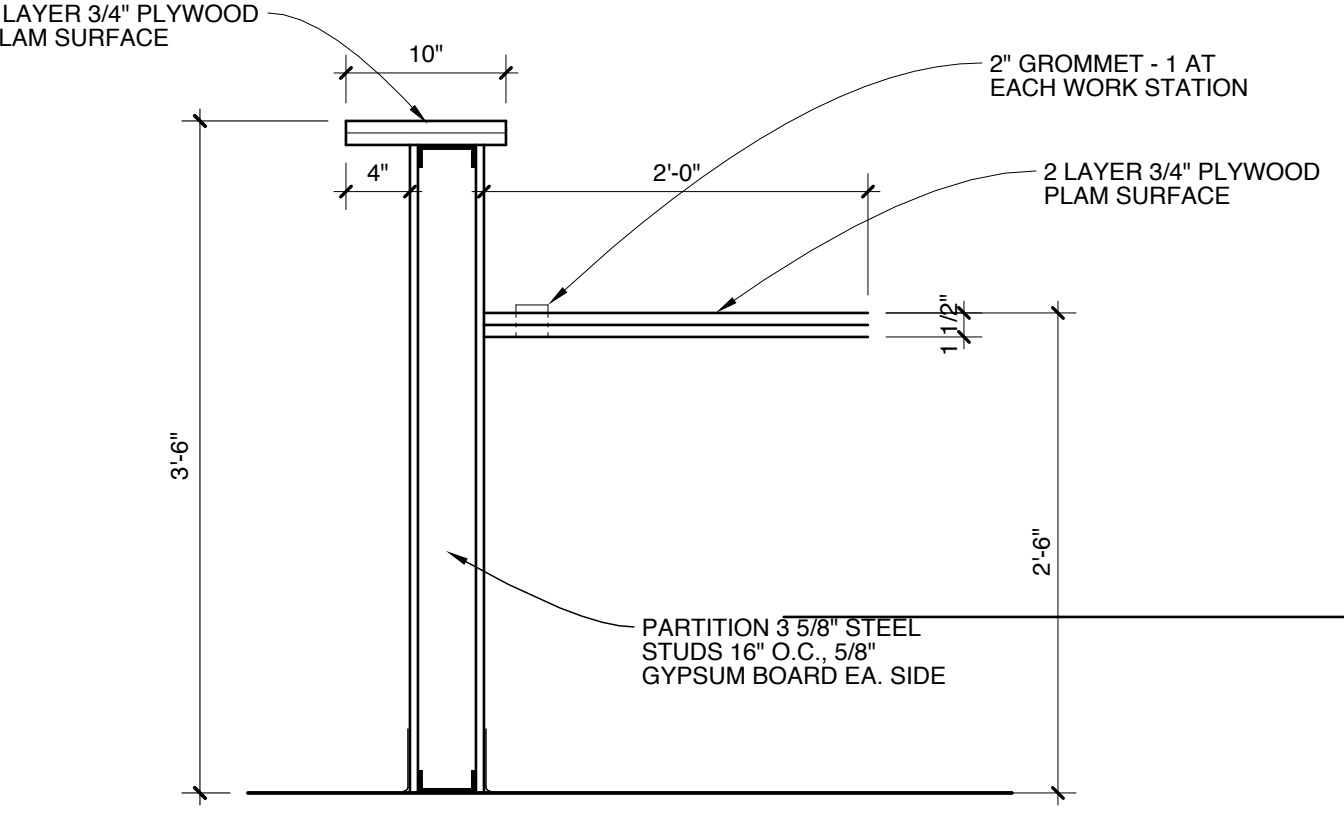
10 ELEVATION
SCALE: 1/4" = 1'-0"
1' 2' 4' 8'



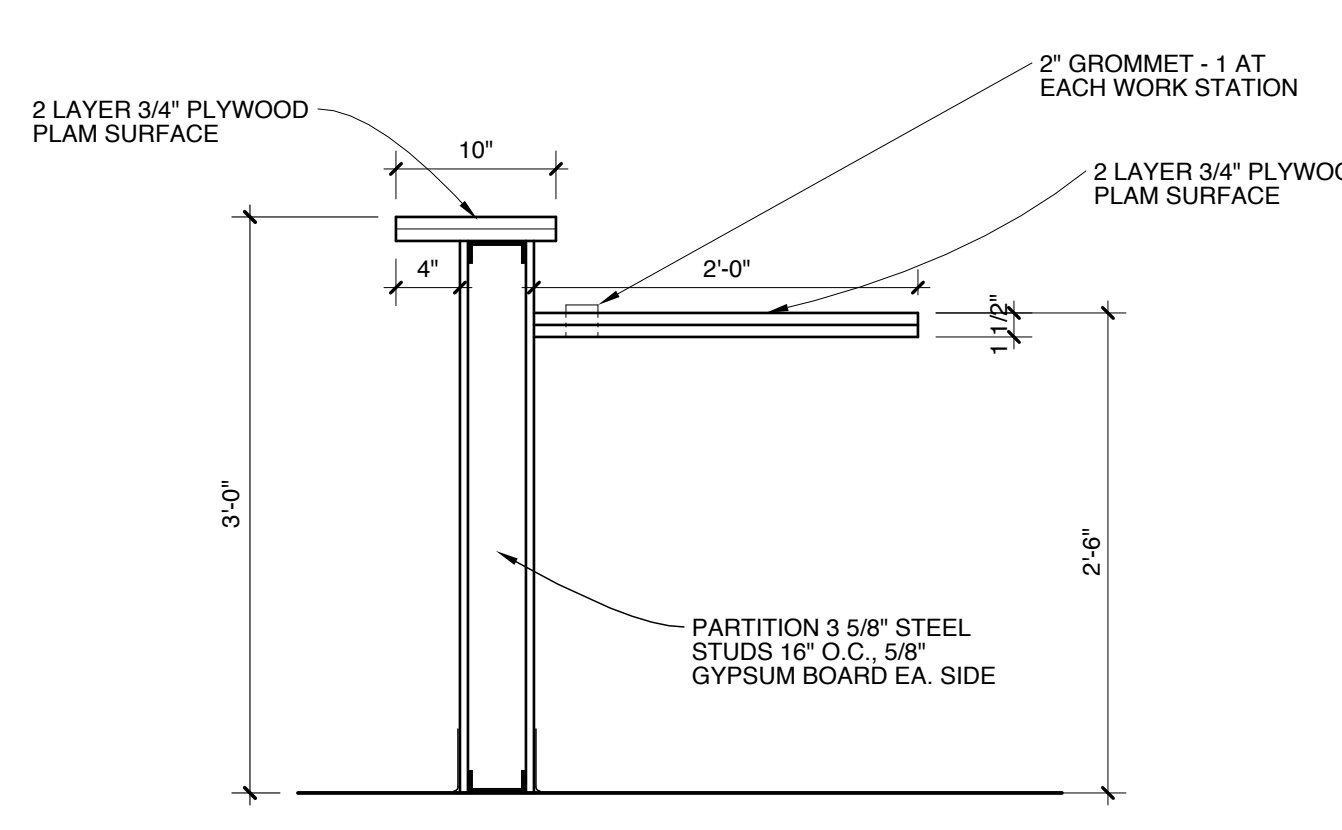
11 ELEVATION
SCALE: 1/4" = 1'-0"
1' 2' 4' 8'



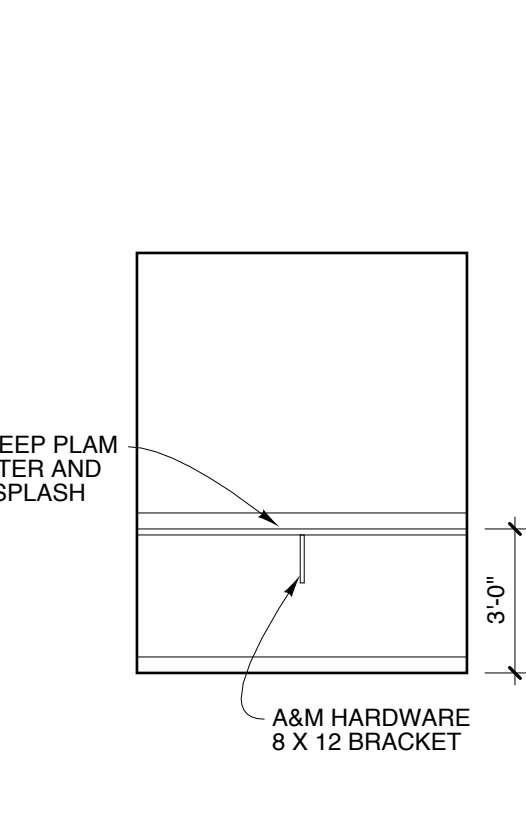
12 ELEVATION
SCALE: 1/4" = 1'-0"
1' 2' 4' 8'



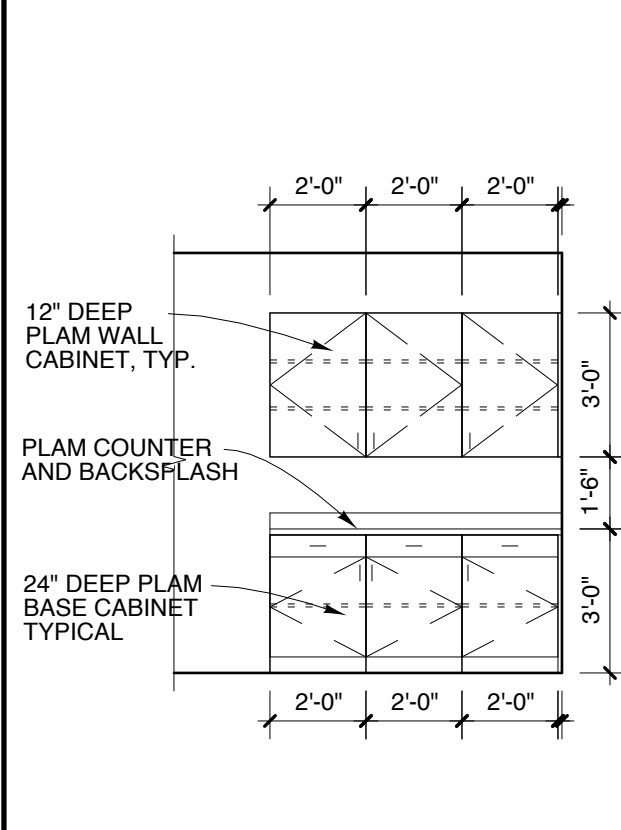
13 DETAIL
SCALE: 1" = 1'-0"
3' 6" 1' 2'



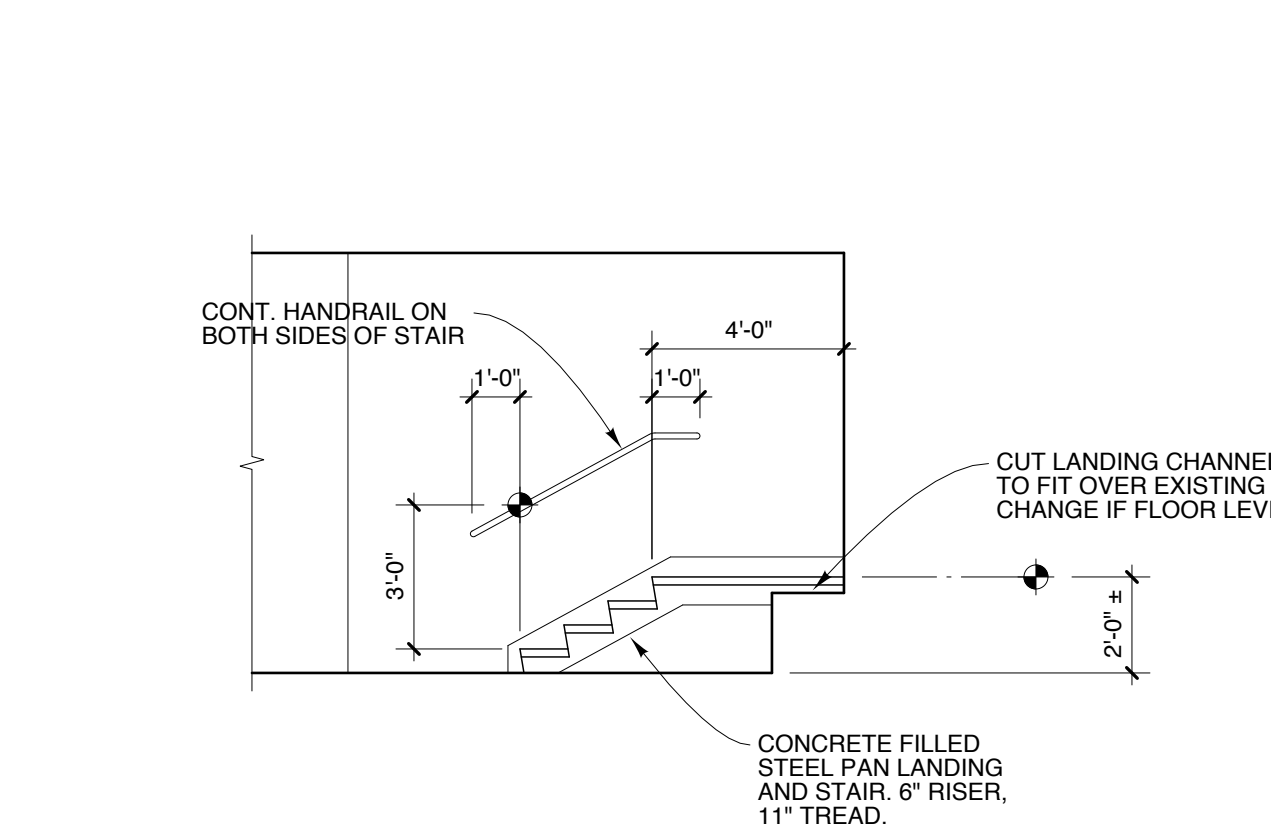
14 DETAIL
SCALE: 1" = 1'-0"
3' 6" 1' 2'



15 ELEVATION
SCALE: 1/4" = 1'-0"
1' 2' 4' 8'



16 ELEVATION
SCALE: 1/4" = 1'-0"
1' 2' 4' 8'



17 SECTION
SCALE: 1/4" = 1'-0"
1' 2' 4' 8'

