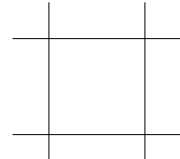
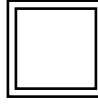


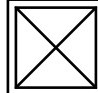
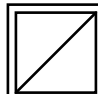
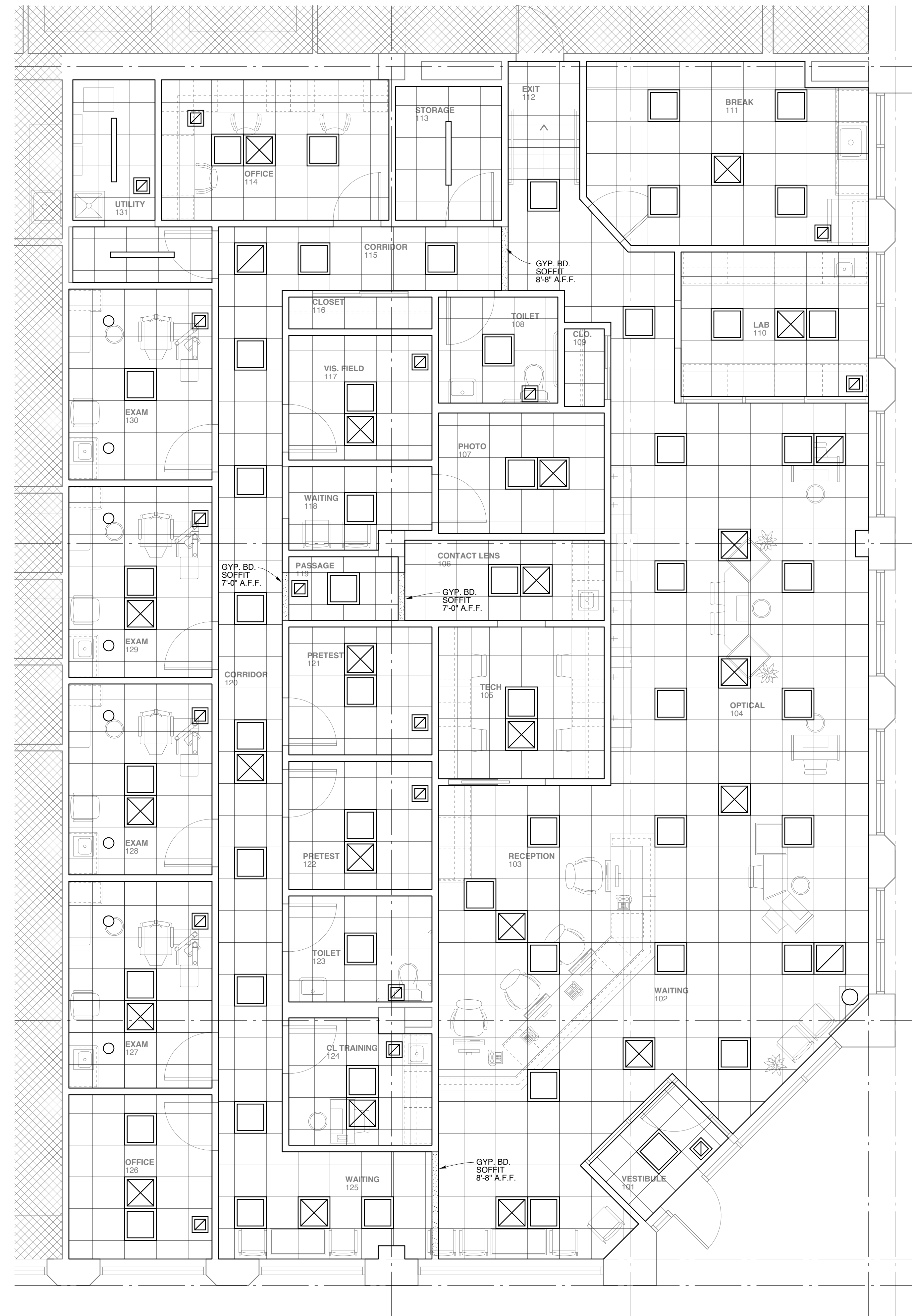



REFLECTED CEILING PLAN GENERAL NOTES

1. PLAN SHOWS CEILING GRID, LIGHT FIXTURE, AND HVAC LAYOUT ONLY.
2. SEE MECHANICAL AND ELECTRICAL PLANS FOR DETAILS ON HVAC AND LIGHTING ELEMENTS.
3. SPRINKLER HEAD LOCATIONS TO BE DETERMINED BY SPRINKLER CONTRACTOR.

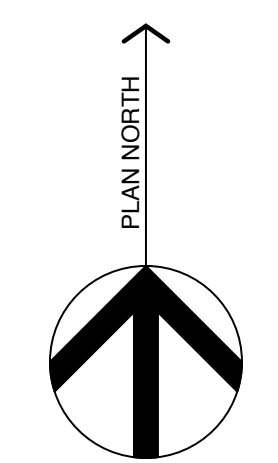
REFLECTED CEILING PLAN LEGEND

-  2 X 2 GRID SUSPENDED CEILING
-  2 X 2 LED TROFFER
-  RECESS LED FIXTURE
-  4 FOOT LED STRIP
-  HVAC SUPPLY DIFFUSER
-  HVAC RETURN OR EXHAUST FAN GRILLE (SIZES VARY)



1 REFLECTED CEILING PLAN
 SCALE: 1/4" = 1'-0"


 AREA NOT IN CONTRACT



Michael Charek Architects

25 Hartley Street
 Portland, Maine 04103
 (207) 761-0556



Offices for Casco Bay Eyecare

Street Level
 2 Portland Square
 Portland, ME 04101

Title
 REFLECTED CEILING PLAN

Scale: 1/4" = 1'-0"

Date: 9/4/15

Revisions

Sheet
A2