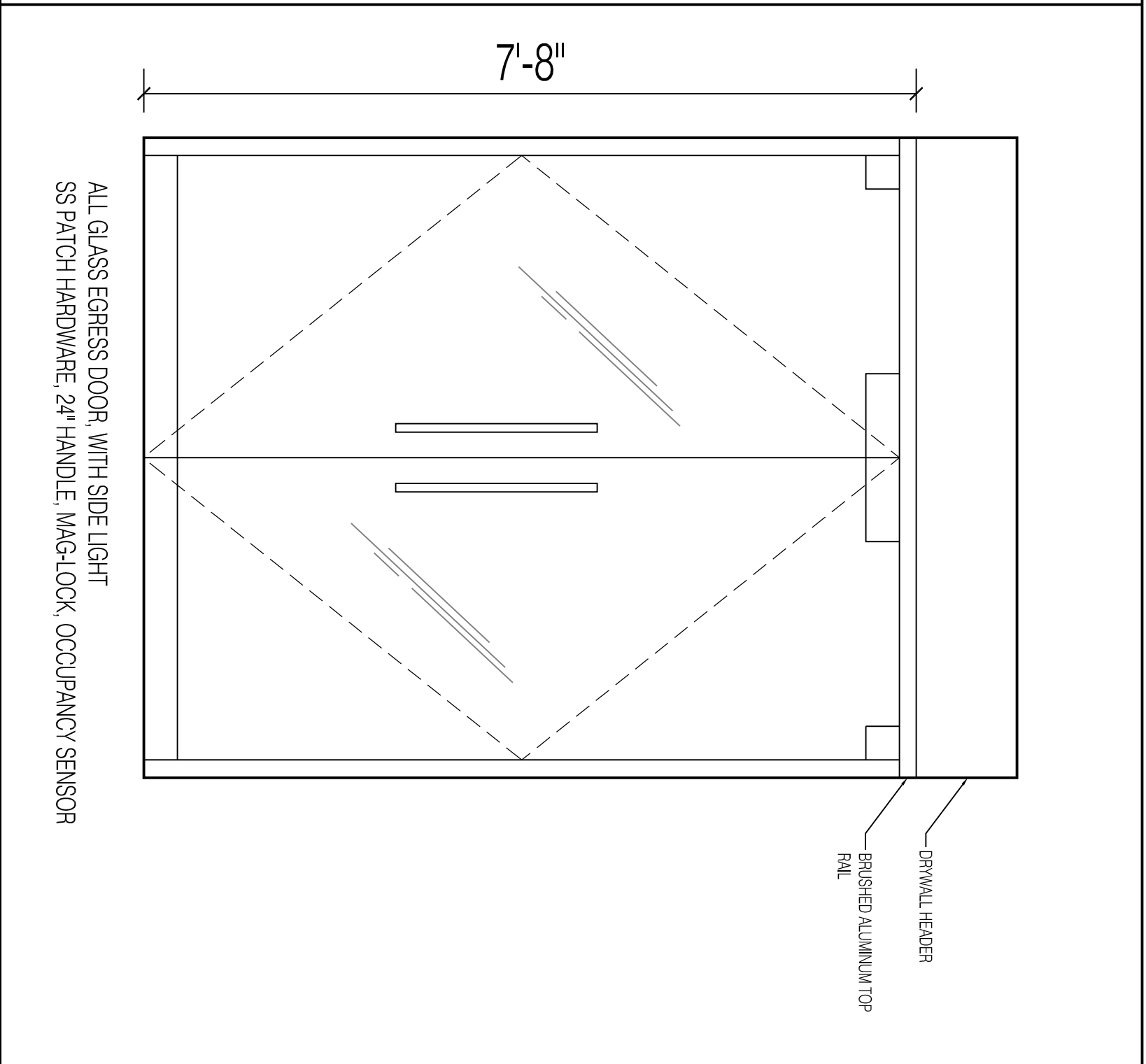
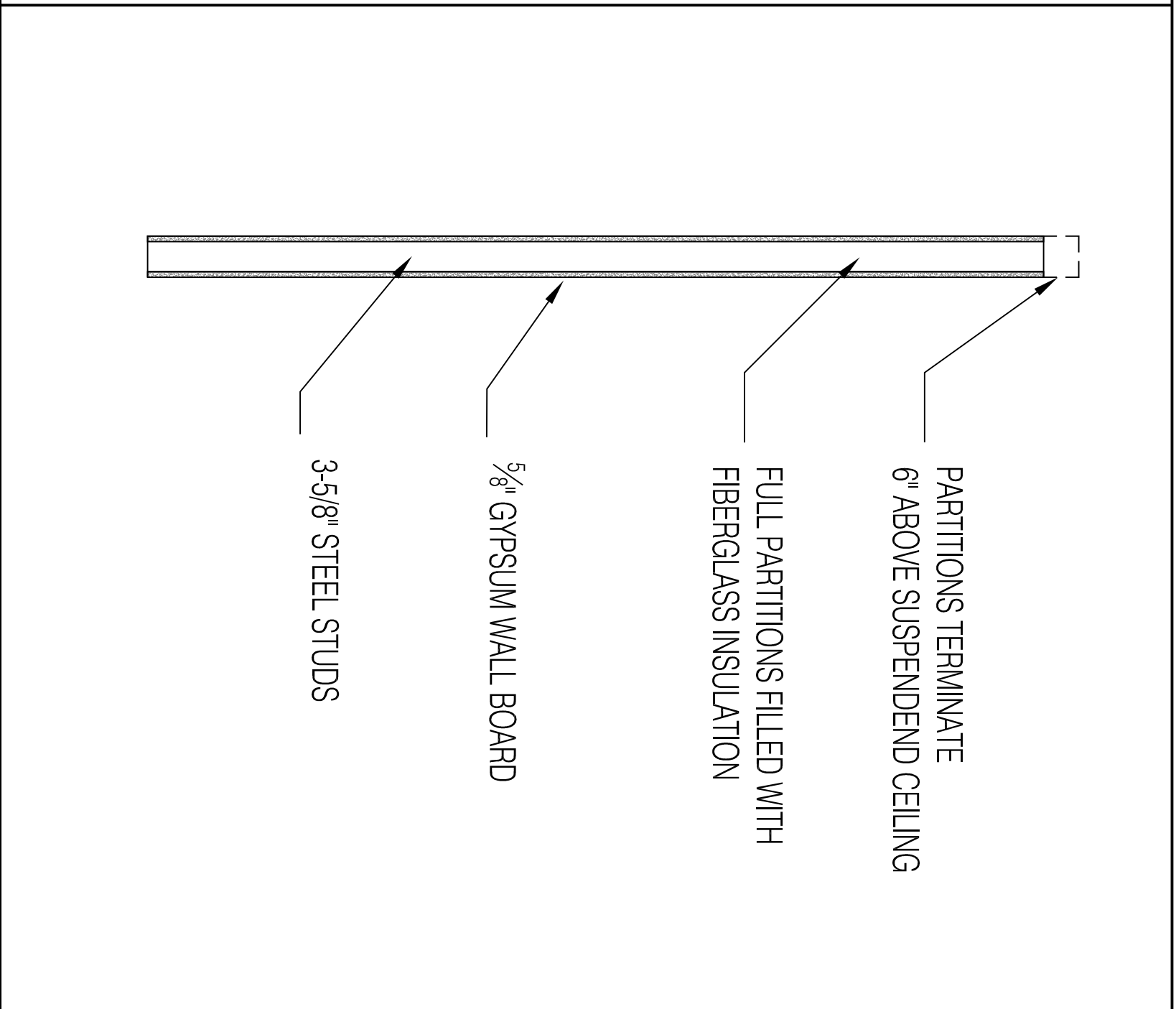


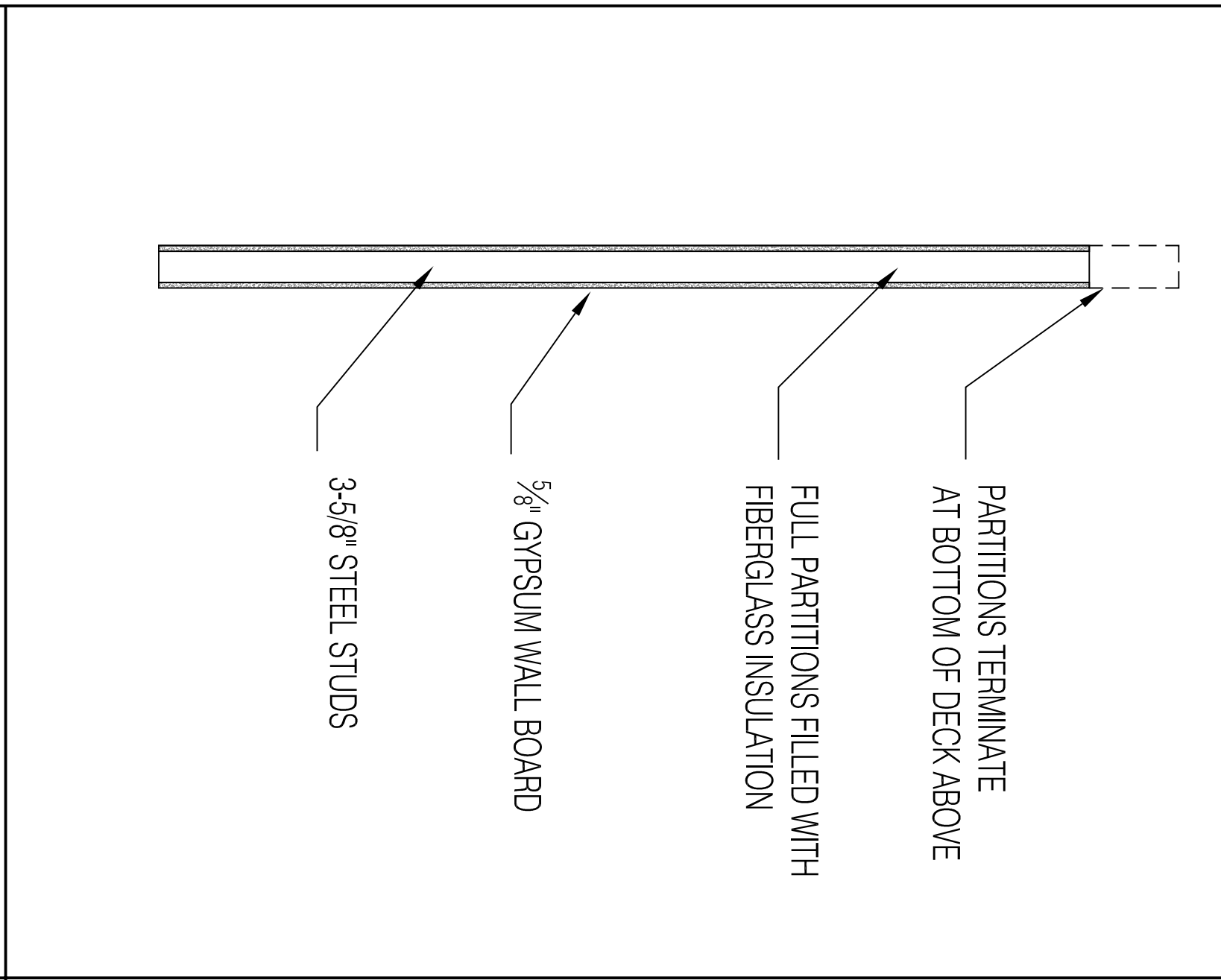
1 WEST ELEVATION MEETING ROOM  
3/4" = 1'-0"



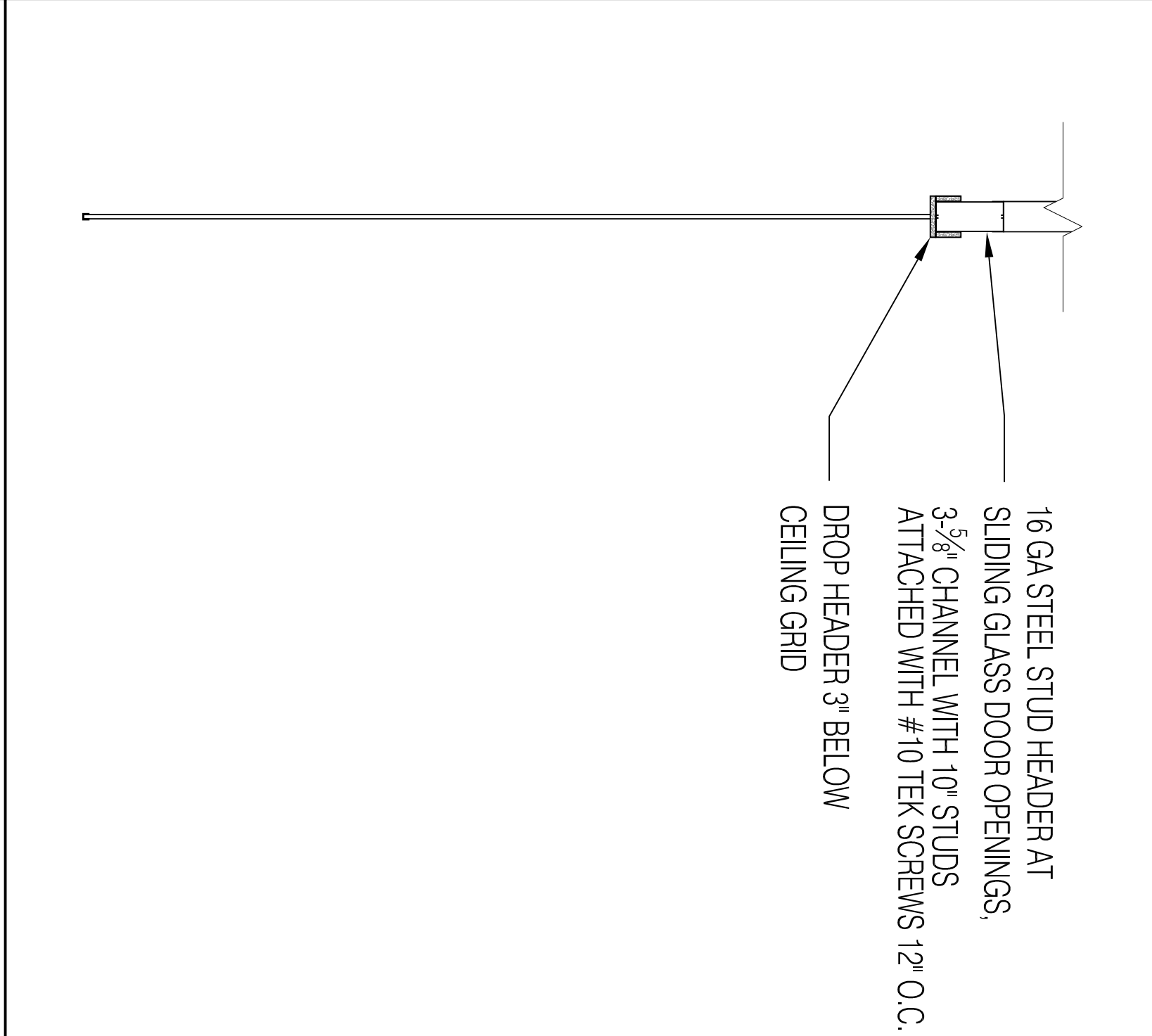
2 GLASS EGRESS DOOR  
3/4" = 1'-0"



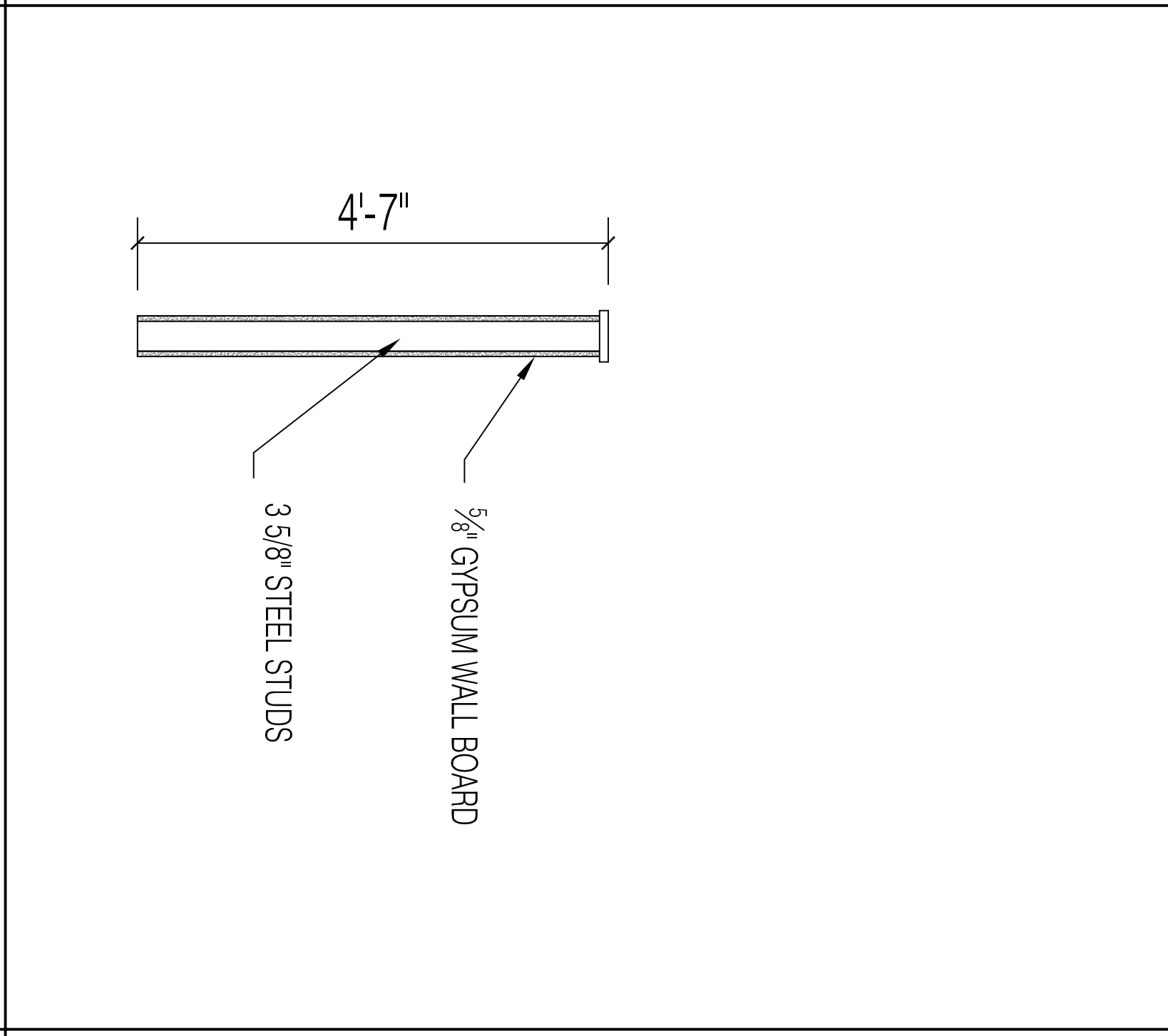
3 FULL HEIGHT PARTITION  
3/4" = 1'-0"



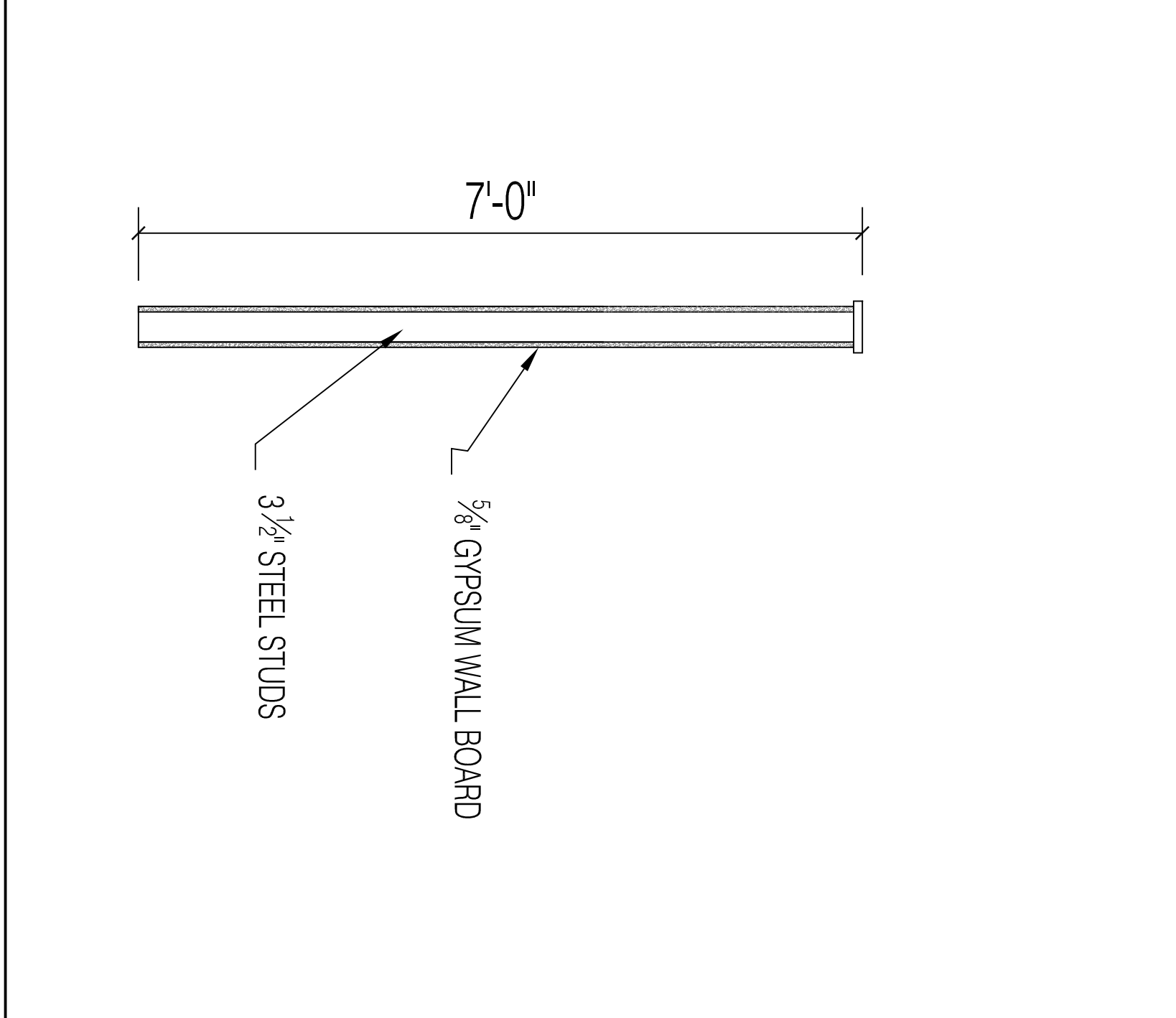
4 FULL HEIGHT WALL  
3/4" = 1'-0"



5 GLASS PARTITION  
3/4" = 1'-0"



6 PARTIAL HEIGHT WALL  
3/4" = 1'-0"



7 PARTIAL HEIGHT WALL  
3/4" = 1'-0"



PROSPECT  
**RD**  
DESIGN  
58 FORE ST. PORTLAND, ME  
WWW.PROSPECTDESIGN.ME  
T: 207-749-7400

STONECOAST PHASE 3  
2 PORTLAND SQUARE, PORTLAND, MAINE  
MARC KEFFER, STONECOAST FUND SERVICES

CONSTRUCTION SET  
INTERIOR ELEVATIONS

SHEET TITLE	INTERIOR ELEVATIONS
REVISION	
DATE	February 27, 2014
DESIGNED BY	EB

A-2.1